



US00D985288S

(12) **United States Design Patent**
Wu

(10) **Patent No.:** **US D985,288 S**

(45) **Date of Patent:** **** May 9, 2023**

(54) **COMBINED DOUBLE GLIDER WITH TABLE**

(71) Applicant: **Feida (HK) Industrial Co. Ltd.**, Hong Kong (HK)

(72) Inventor: **Zhenhua Wu**, Huzhou (CN)

(**) Term: **15 Years**

(21) Appl. No.: **29/867,952**

(22) Filed: **Nov. 14, 2022**

Related U.S. Application Data

(63) Continuation-in-part of application No. 29/754,709, filed on Oct. 14, 2020, now Pat. No. Des. 969,505.

(51) **LOC (14) Cl.** **06-01**

(52) **U.S. Cl.**
USPC **D6/336; D6/344; D6/370**

(58) **Field of Classification Search**

USPC D6/333, 334, 336, 341, 344, 345, 347, D6/348, 367, 370, 371, 373, 374, 375, D6/382, 385, 386, 389, 715, 716, 718; D21/412, 419, 521, 688, 814, 823, 824
CPC A47C 3/02; A47C 3/023; A47C 3/025; A47C 3/0255; A47C 3/029; A47C 3/12; A47C 5/04; A47C 5/043; A47C 5/046; A47C 7/54; A47C 17/84; A47D 13/10; A47D 13/107; A47D 13/105; A47D 1/08; A47D 1/10; A47D 9/00; A47D 9/02; A47D 9/04; A47D 11/00; A47D 11/005; A63G 9/00; A63G 13/02

See application file for complete search history.

(56) **References Cited**

U.S. PATENT DOCUMENTS

D265,952 S * 8/1982 Theodore D6/370
D290,911 S * 7/1987 Pomeroy D6/381

D328,197 S * 7/1992 Braxton, III D6/334
D400,720 S * 11/1998 Pomeroy D6/370
D410,340 S * 6/1999 Pomeroy D6/344
D430,743 S * 9/2000 Pomeroy D6/336
D443,425 S * 6/2001 Pomeroy D6/344
D450,937 S * 11/2001 Pomeroy D6/344
D474,038 S * 5/2003 Noll D6/344
D525,441 S * 7/2006 Pomeroy D6/336
D704,459 S * 5/2014 Zhang D6/335
D825,210 S * 8/2018 Lee D6/381

OTHER PUBLICATIONS

Design # 306207796, App. Date Aug. 7, 2020, Country code CN, Publication date Dec. 4, 2020, Owner name Huzhou Feida Arts & Crafts Co Ltd, Creator Wu Zhenhua (Year: 2020).*

(Continued)

Primary Examiner — Mary Ann Calabrese

Assistant Examiner — Mark David Wolfley

(74) *Attorney, Agent, or Firm* — Novoclaims Patent Services LLC

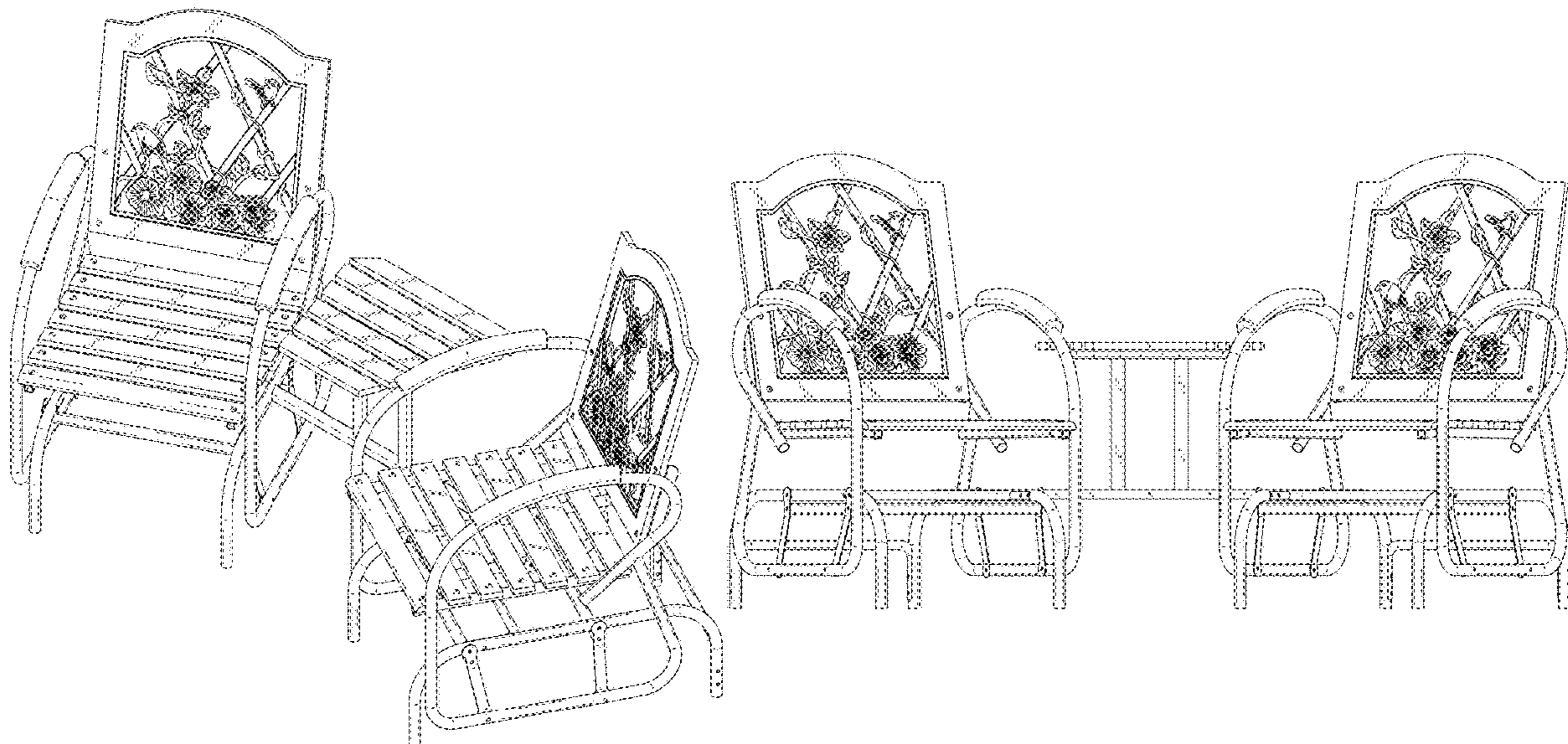
(57) **CLAIM**

The ornamental design for a combined double glider with table, as shown and described.

DESCRIPTION

FIG. 1 is a perspective view of a combined double glider with table, showing my new design;
FIG. 2 is a front view thereof;
FIG. 3 is a rear view thereof;
FIG. 4 is a left side view thereof;
FIG. 5 is a right side view thereof;
FIG. 6 is a top view thereof; and,
FIG. 7 is a bottom view thereof.

1 Claim, 7 Drawing Sheets



(56)

References Cited

OTHER PUBLICATIONS

Jack-Post Hardwood Outdoor Gliding Tete-a-Tete Chairs, available in walmart.com, review date of Sep. 5, 2011, site visited Jul. 8, 2022, URL:<https://www.walmart.com/ip/Jack-Post-Hardwood-Outdoor-Gliding-Tete-a-Tete-Chairs-in-Bronze-Frame/39482614> (Year: 2011).*

Red Shed Wood and Steel Double Glider and Table, available in tractorsupply.com, site visited Jan. 11, 2023, URL:<https://www.tractorsupply.com/tsc/product/red-shed-wood-steel-double-glider-and-table-fddg2102#> (Year: 2023).*

* cited by examiner

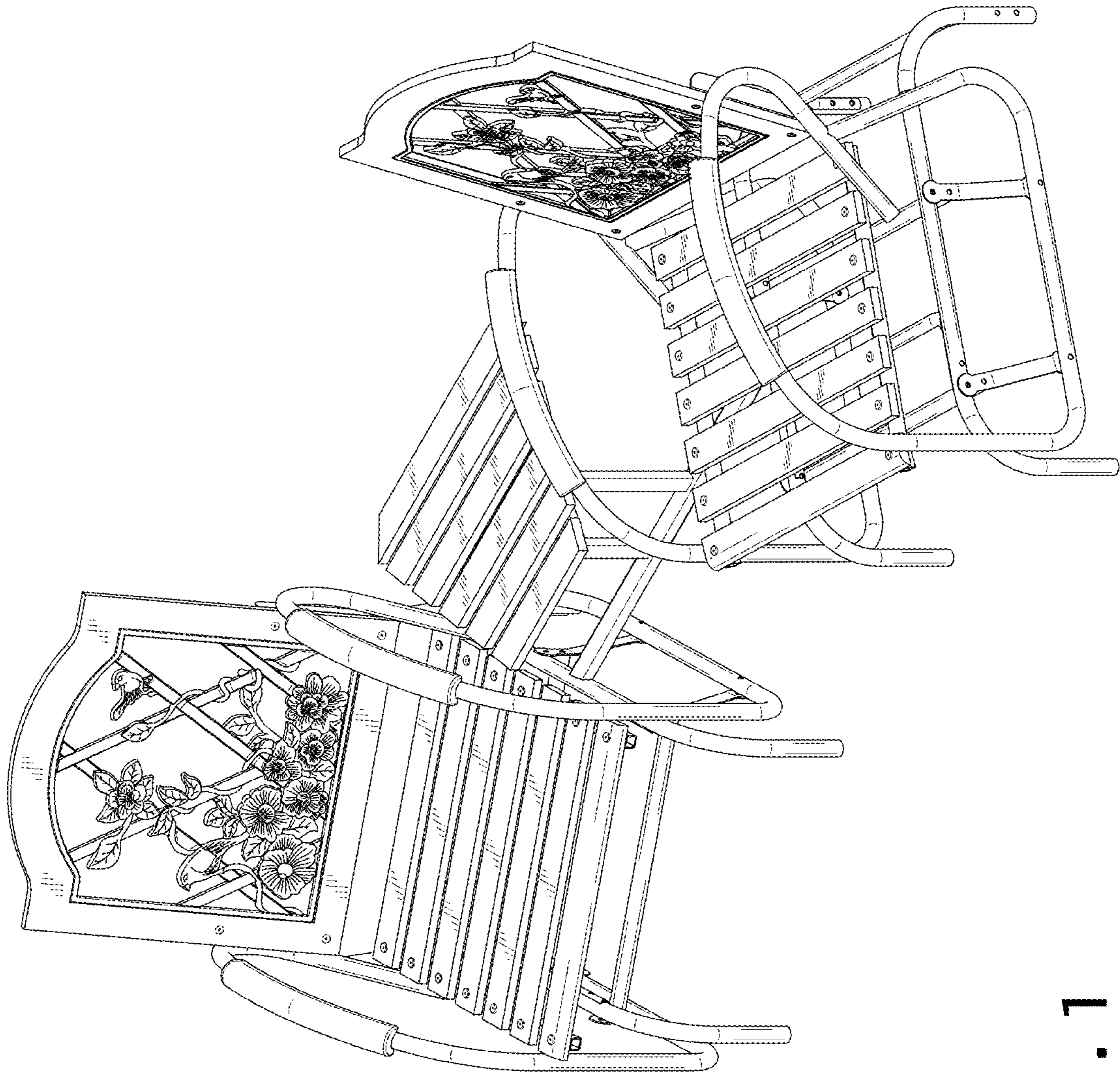


FIG. 1

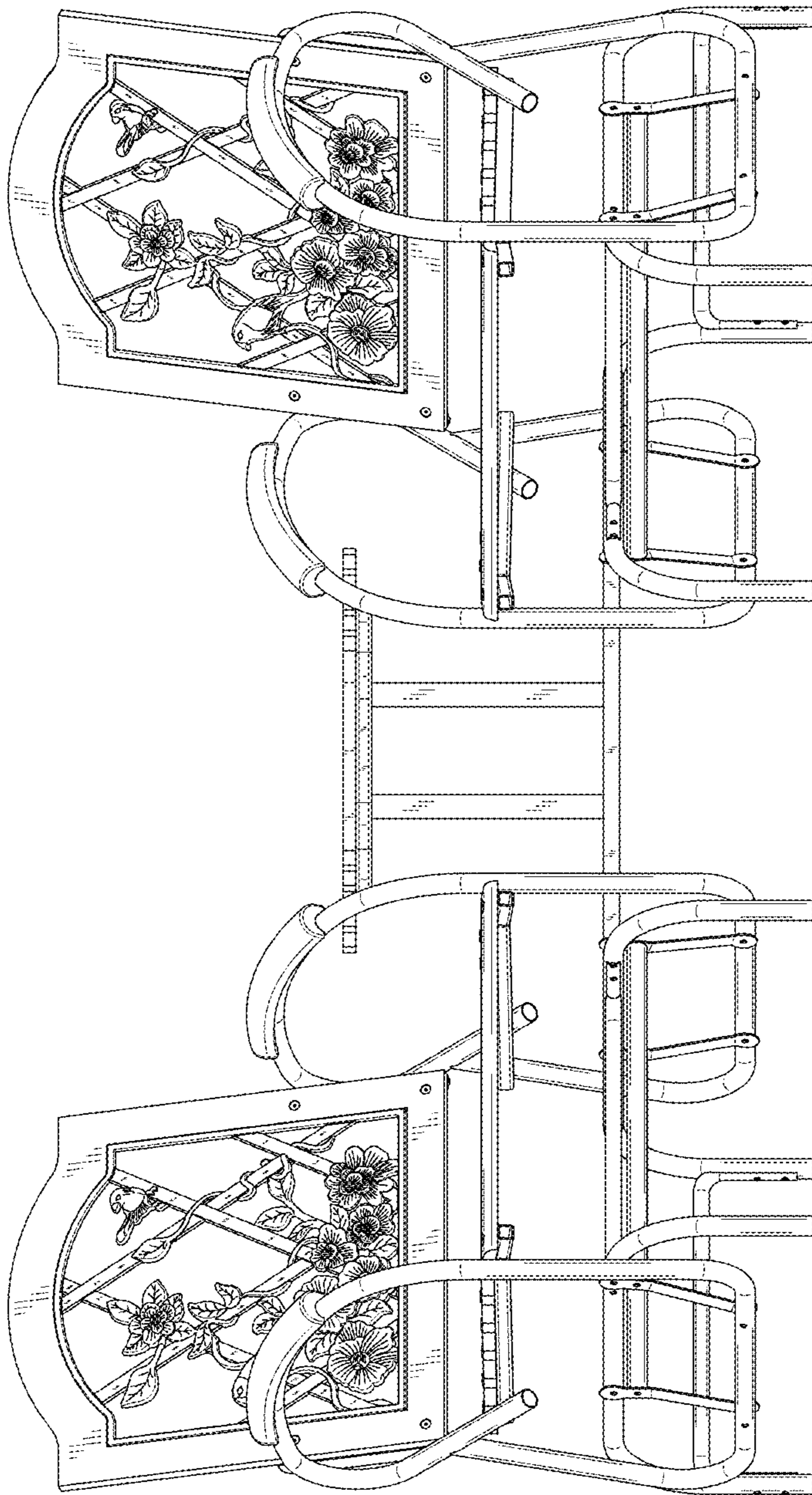


FIG. 2

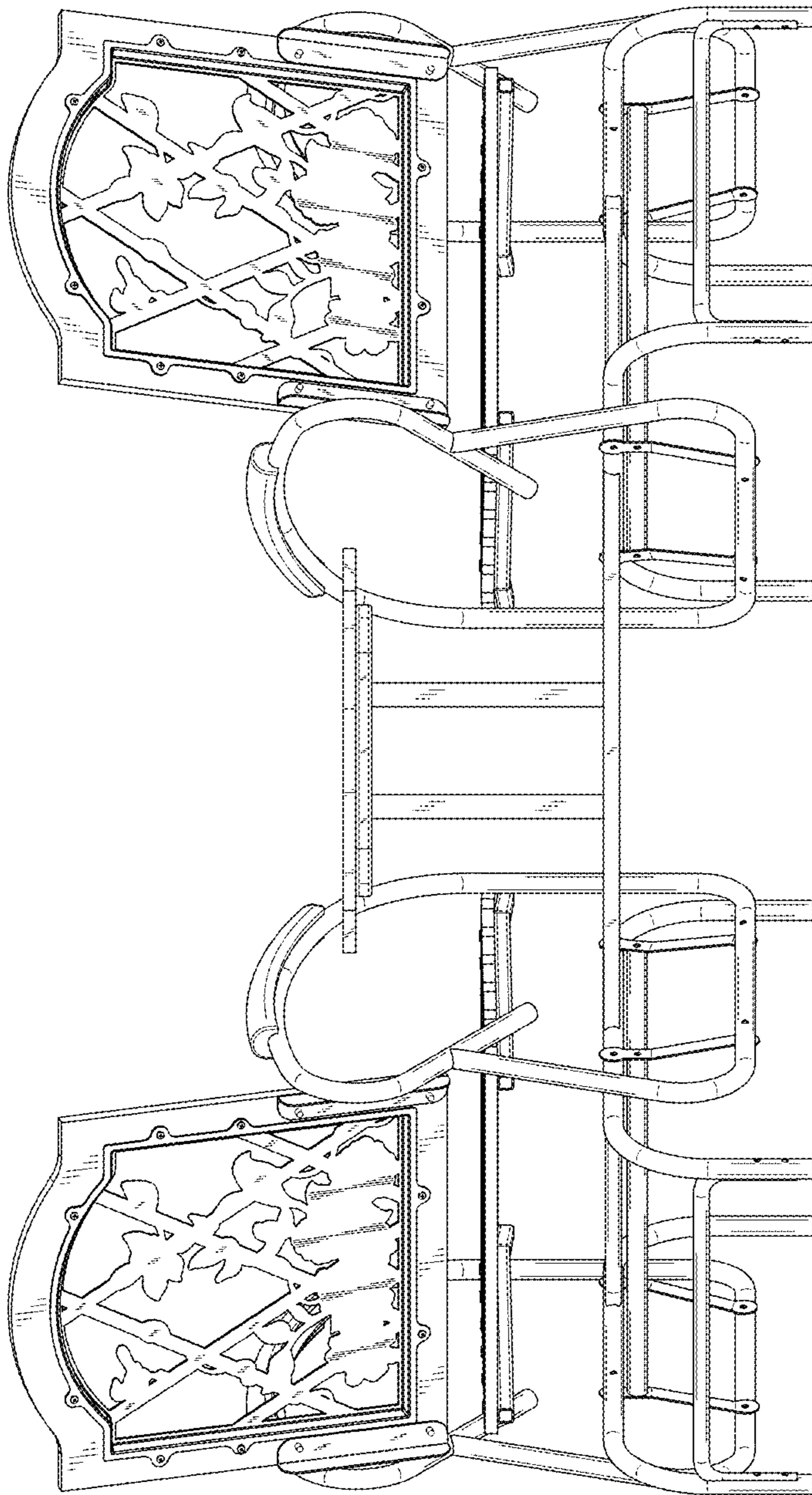


FIG. 3

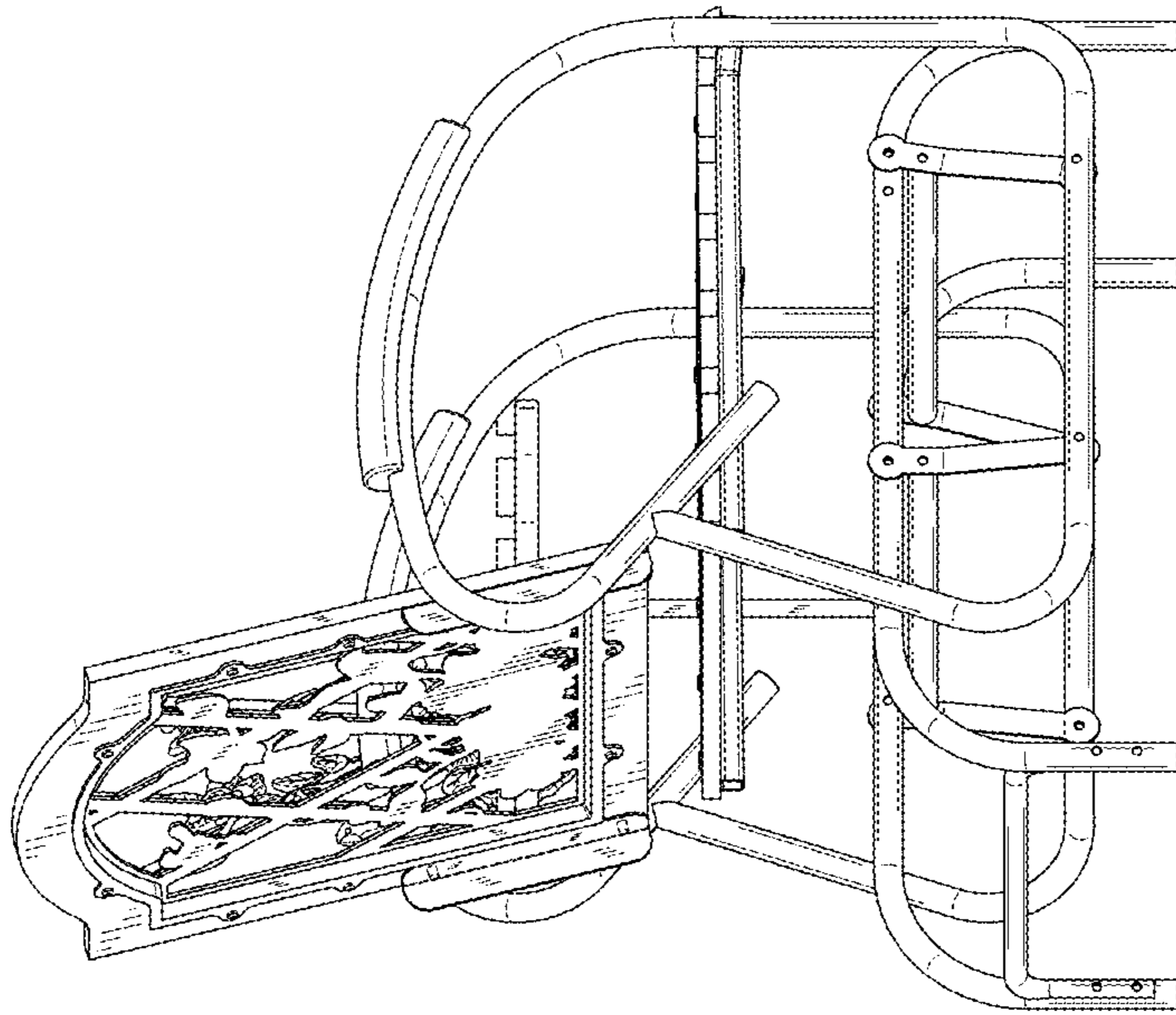


FIG. 4

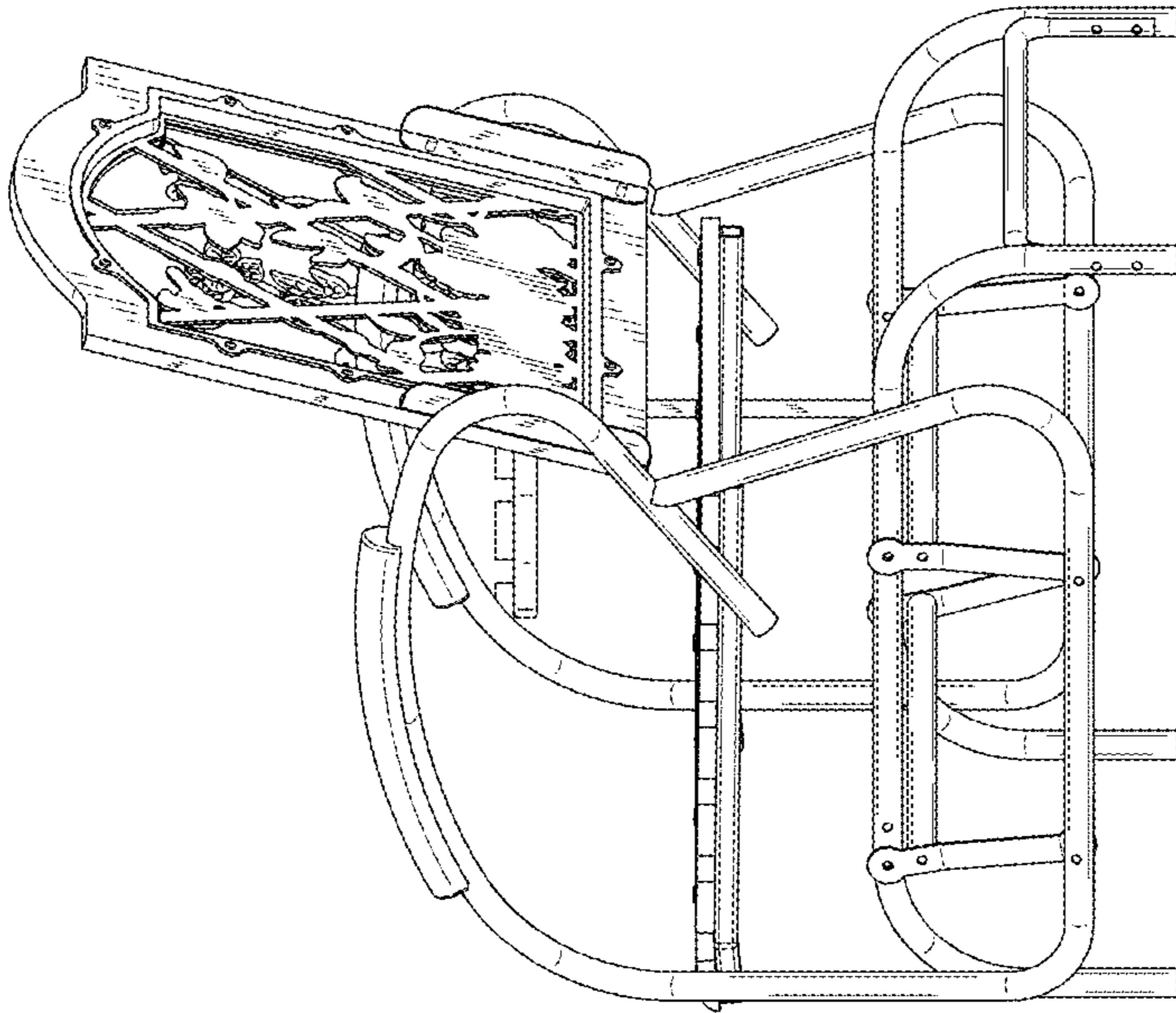


FIG. 5

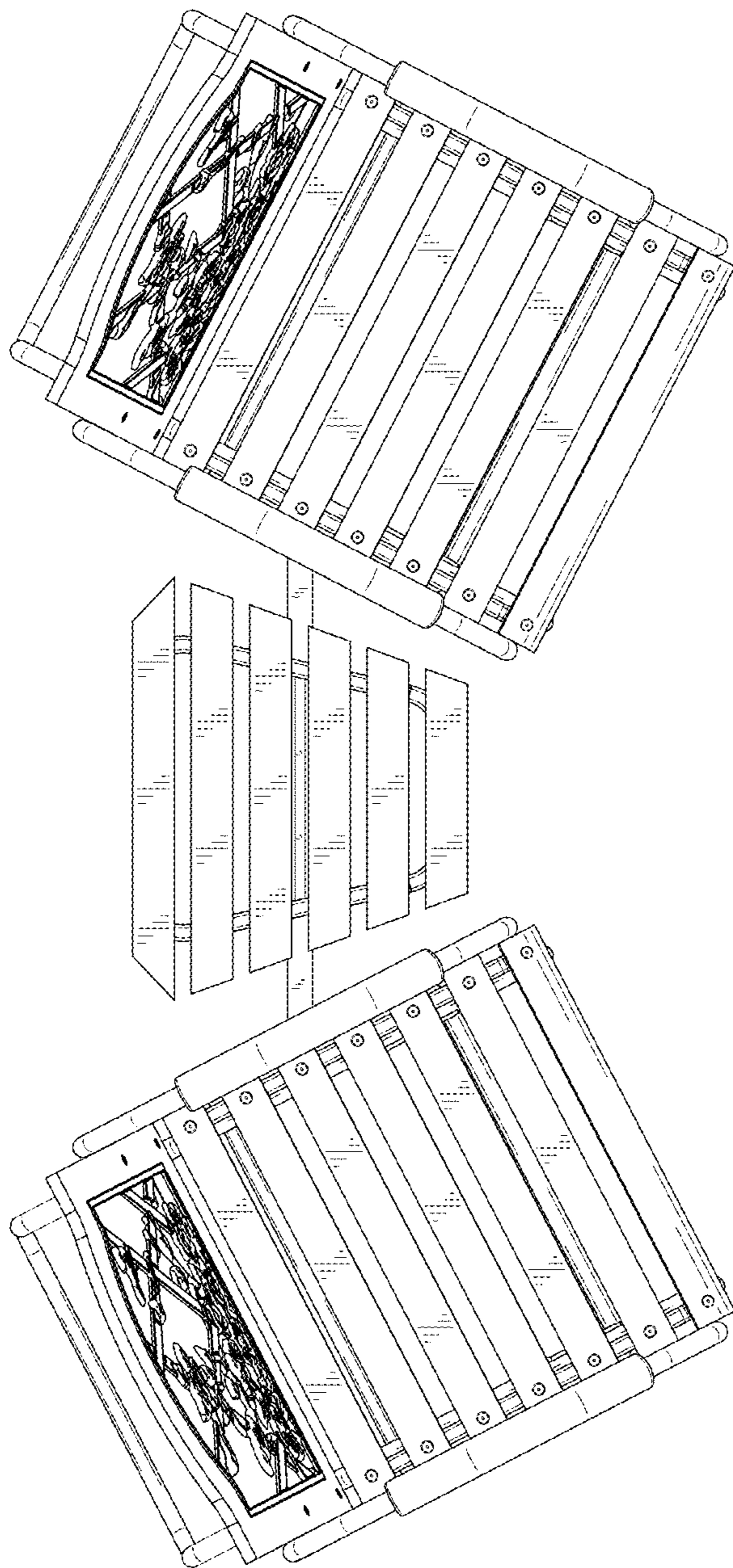


FIG. 6

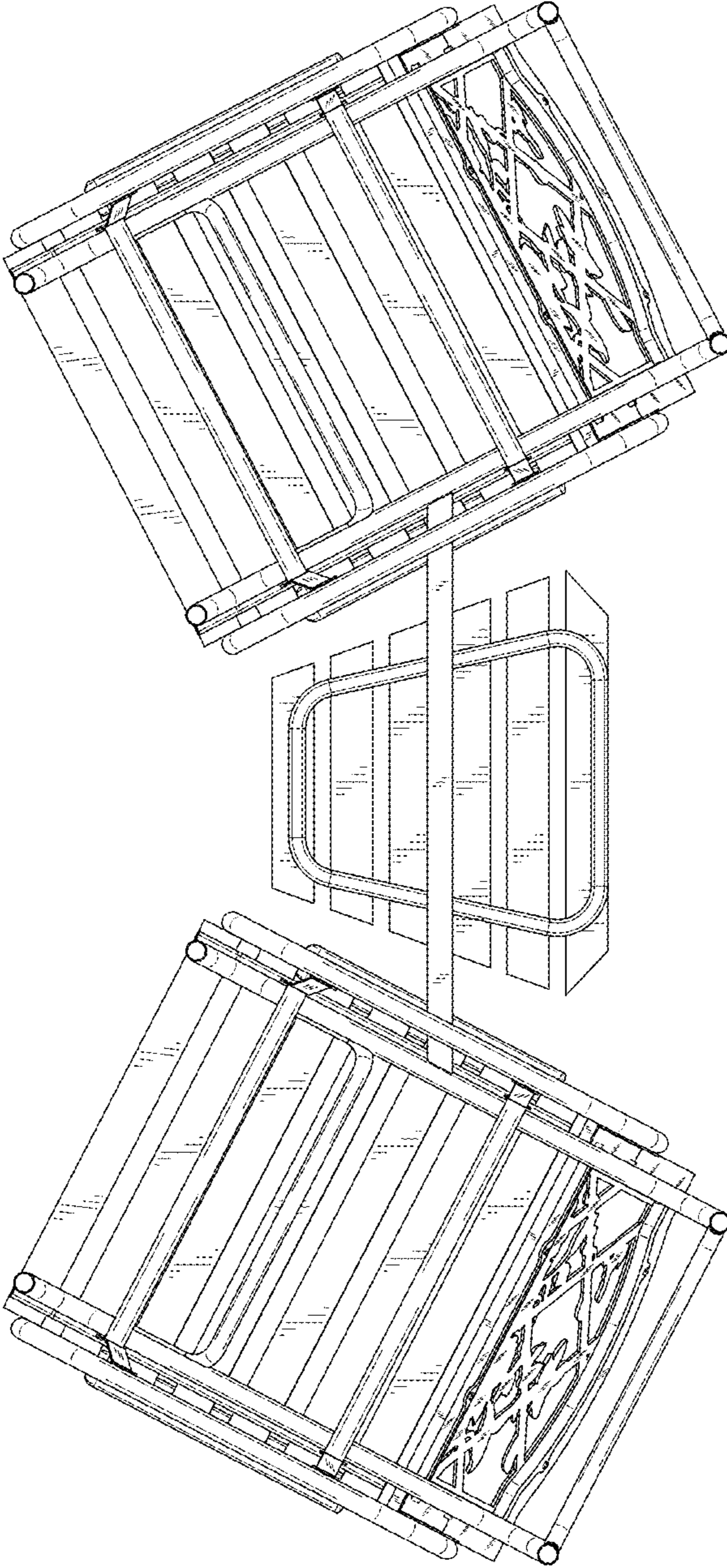


FIG. 7