



US00D985287S

(12) **United States Design Patent** (10) **Patent No.:** **US D985,287 S**
Wu (45) **Date of Patent:** **** May 9, 2023**

(54) **COMBINED DOUBLE GLIDER WITH TABLE**

(71) Applicant: **Feida (HK) Industrial Co. Ltd.**, Hong Kong (HK)

(72) Inventor: **Zhenhua Wu**, Huzhou (CN)

(**) Term: **15 Years**

(21) Appl. No.: **29/867,950**

(22) Filed: **Nov. 14, 2022**

Related U.S. Application Data

(63) Continuation-in-part of application No. 29/754,709, filed on Oct. 14, 2020, now Pat. No. Des. 969,505.

(51) **LOC (14) Cl.** **06-01**

(52) **U.S. Cl.**
USPC **D6/336; D6/344; D6/370**

(58) **Field of Classification Search**

USPC D6/333, 334, 336, 341, 344, 345, 347, D6/348, 367, 370, 371, 373, 374, 375, D6/382, 385, 386, 389, 715, 716, 718; D21/412, 419, 521, 688, 814, 823, 824

CPC A47C 3/02; A47C 3/023; A47C 3/025; A47C 3/0255; A47C 3/029; A47C 3/12; A47C 5/04; A47C 5/043; A47C 5/046; A47C 7/54; A47C 17/84; A47D 13/10; A47D 13/107; A47D 13/105; A47D 1/08; A47D 1/10; A47D 9/00; A47D 9/02; A47D 9/04; A47D 11/00; A47D 11/005; A63G 9/00; A63G 13/02

See application file for complete search history.

(56) **References Cited**

U.S. PATENT DOCUMENTS

D265,952 S * 8/1982 Theodore D6/370
D290,911 S * 7/1987 Pomeroy D6/381
D328,197 S * 7/1992 Braxton, III D6/334
D400,720 S * 11/1998 Pomeroy D6/370

D410,340 S * 6/1999 Pomeroy D6/344
D430,743 S * 9/2000 Pomeroy D6/336
D443,425 S * 6/2001 Pomeroy D6/344
D450,937 S * 11/2001 Pomeroy D6/344
D474,038 S * 5/2003 Noll D6/344
D525,441 S * 7/2006 Pomeroy D6/336
D704,459 S * 5/2014 Zhang D6/335

(Continued)

OTHER PUBLICATIONS

Design # 306207796, App. Date Aug. 7, 2020, Country code CN, Publication date Dec. 4, 2020, Owner name Huzhou Feida Arts & Crafts Co Ltd, Creator Wu Zhenhua (Year: 2020).*

(Continued)

Primary Examiner — Mary Ann Calabrese

Assistant Examiner — Mark David Wolfley

(74) *Attorney, Agent, or Firm* — Novoclaims Patent Services LLC

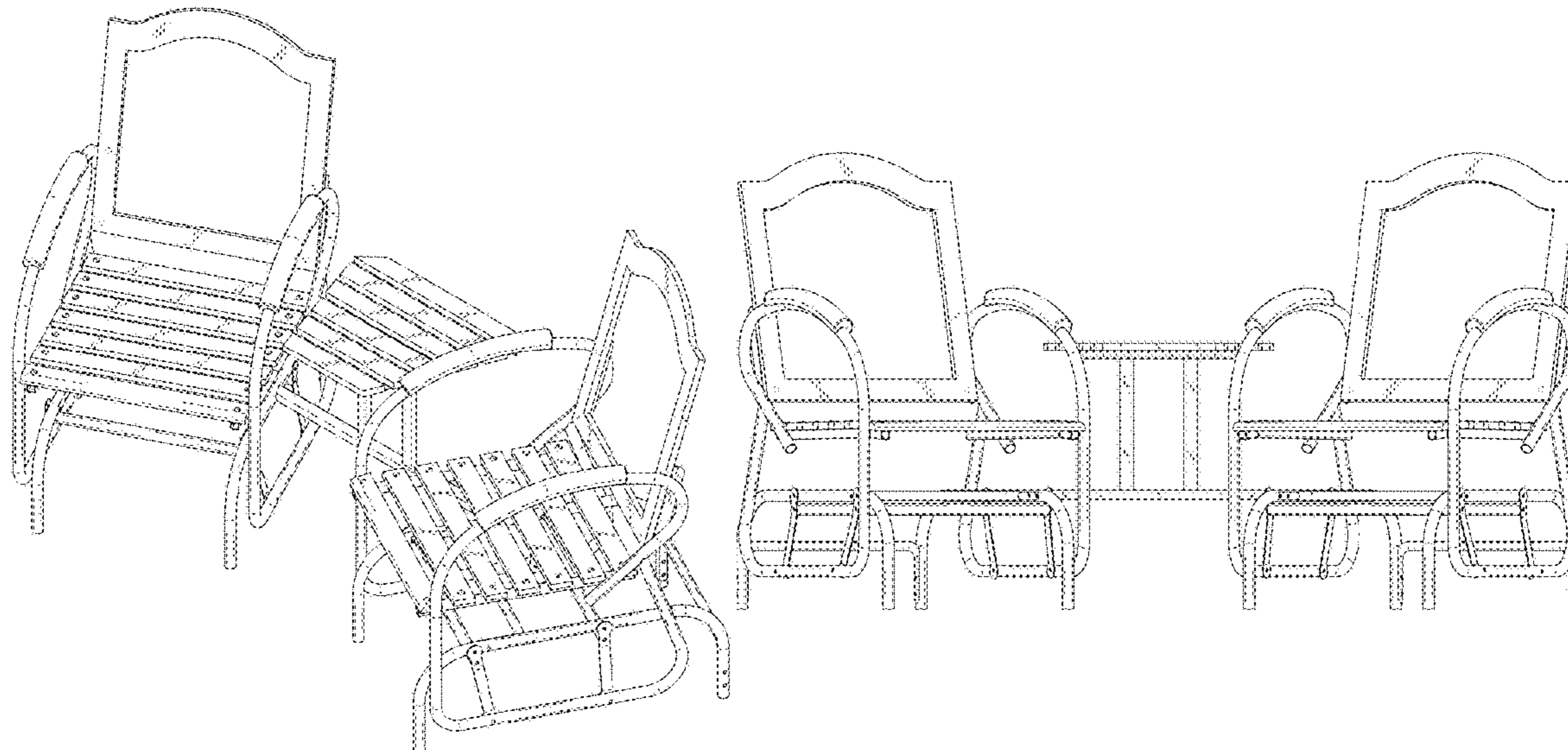
(57) **CLAIM**

The ornamental design for a combined double glider with table, as shown and described.

DESCRIPTION

FIG. 1 is a perspective view of a combined double glider with table, showing my new design; FIG. 2 is a front view thereof; FIG. 3 is a rear view thereof; FIG. 4 is a left side view thereof; FIG. 5 is a right side view thereof; FIG. 6 is a top view thereof; FIG. 7 is a bottom view thereof; and, FIG. 8 is a rear view thereof, shown with two back panels installed on the windows of the glider. The broken lines depict portions of the combined double glider with table and environment that form no part of the claimed design.

1 Claim, 8 Drawing Sheets



(56)

References Cited

U.S. PATENT DOCUMENTS

D825,210 S * 8/2018 Lee D6/381

OTHER PUBLICATIONS

Jack-Post Hardwood Outdoor Gliding Tete-a-Tete Chairs, available in walmart.com, review date of Sep. 5, 2011, site visited Jul. 8, 2022, URL:<https://www.walmart.com/ip/Jack-Post-Hardwood-Outdoor-Gliding-Tete-a-Tete-Chairs-in-Bronze-Frame/39482614> (Year: 2011).*

Red Shed Wood and Steel Double Glider and Table, available in tractorsupply.com, site visited Jan. 11, 2023, URL:<https://www.tractorsupply.com/tsc/product/red-shed-wood-steel-double-glider-and-table-fddg2102#> (Year: 2023).*

* cited by examiner

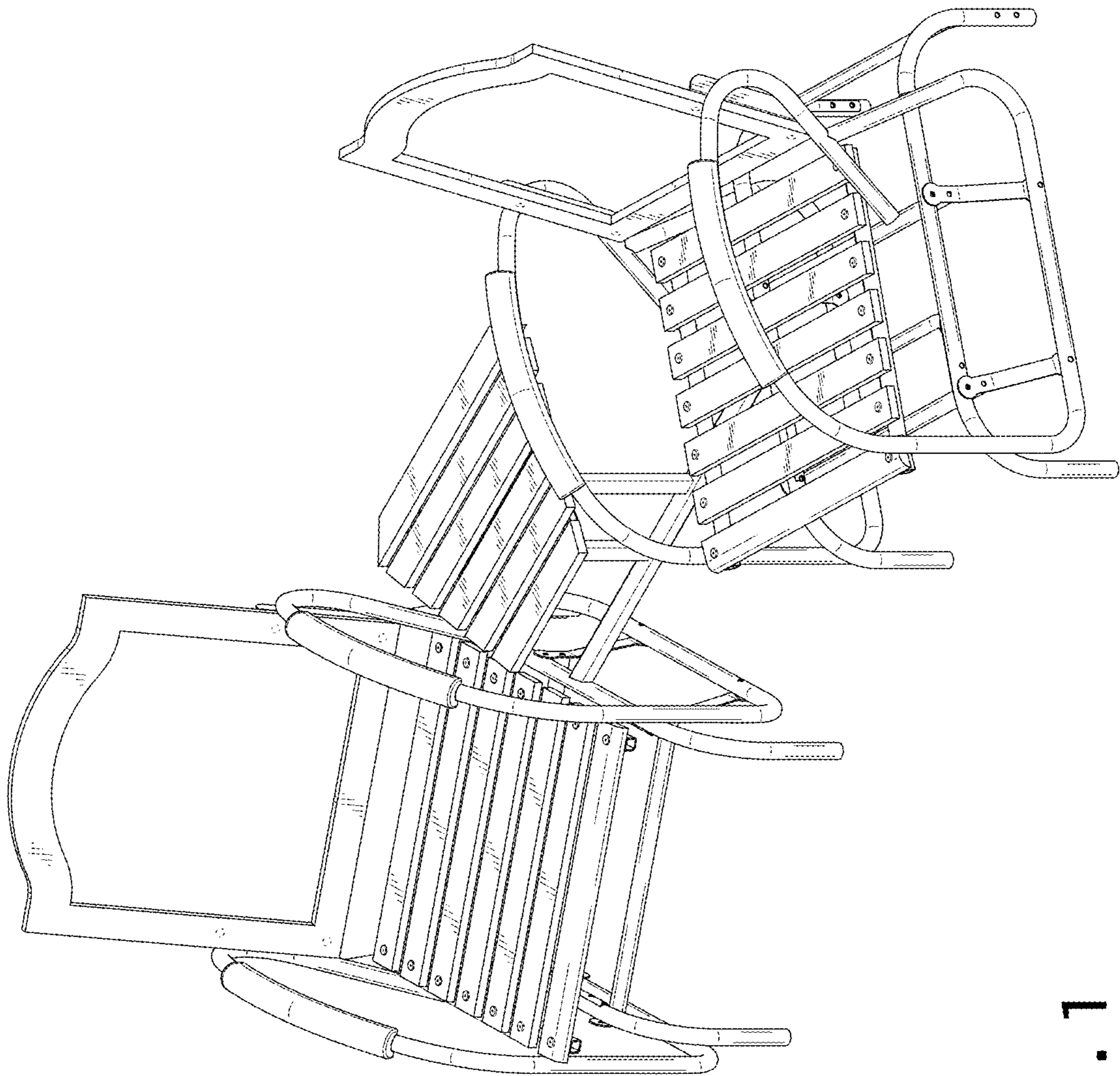


FIG. 1

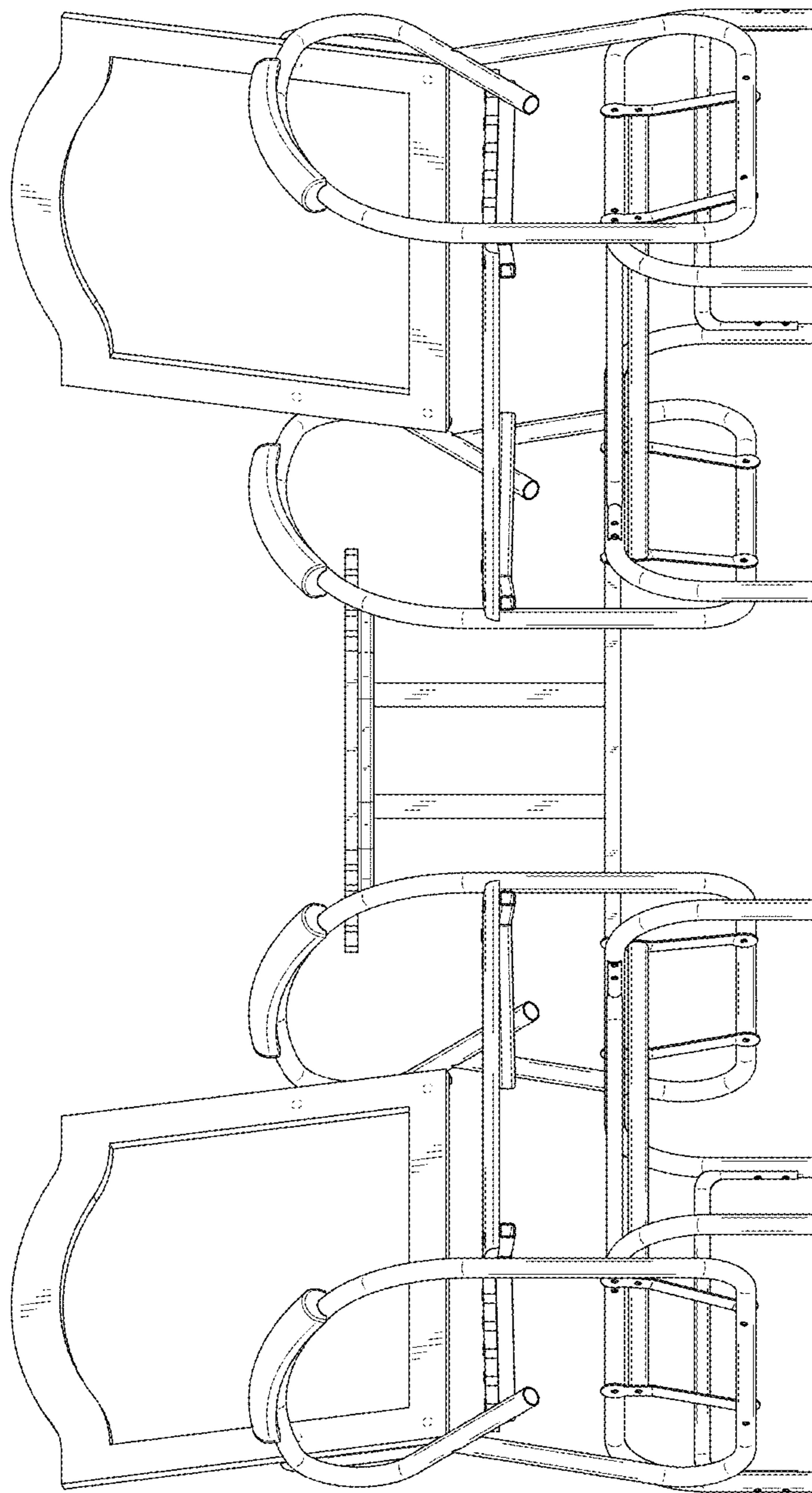


FIG. 2

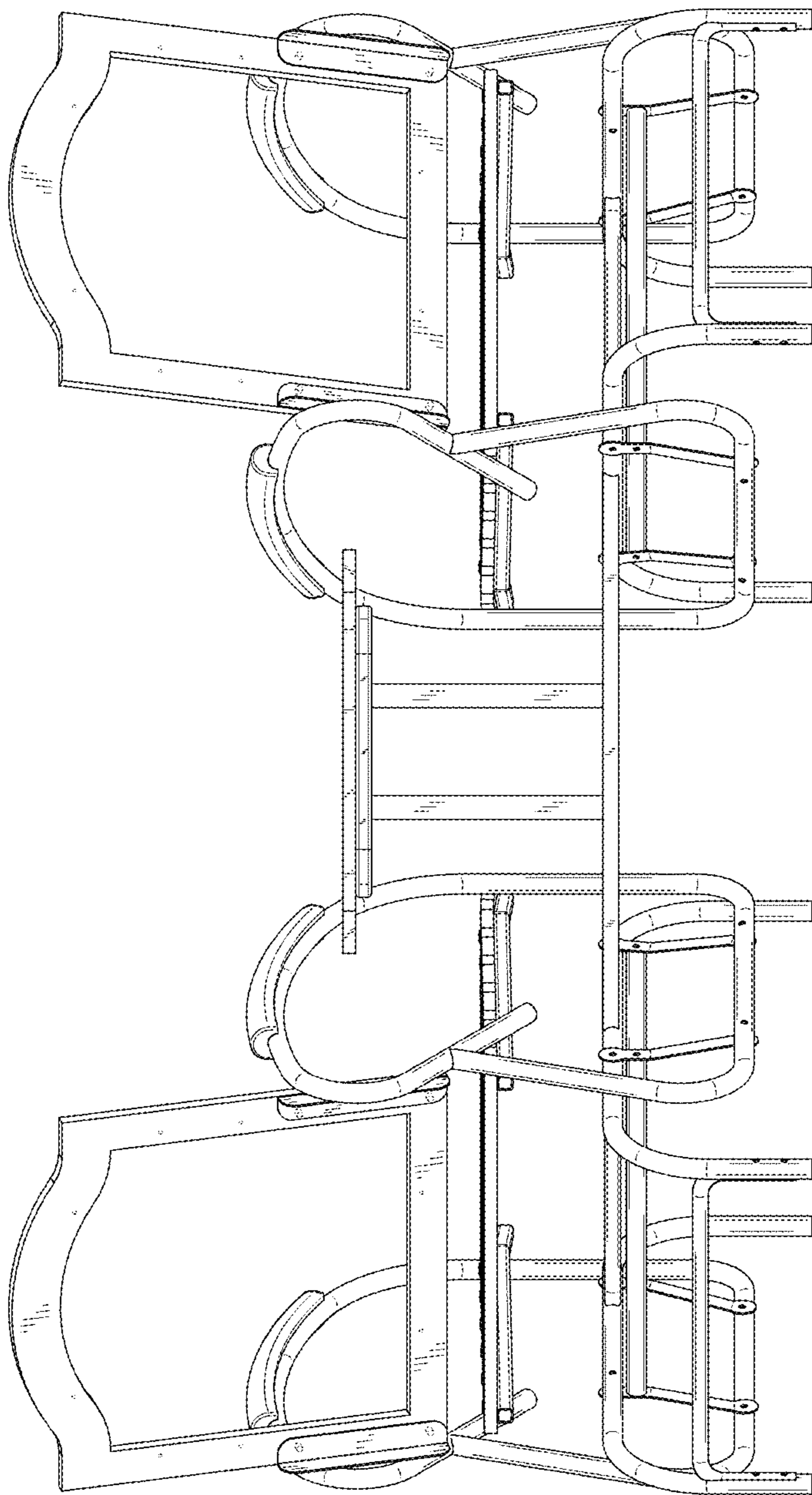


FIG. 3

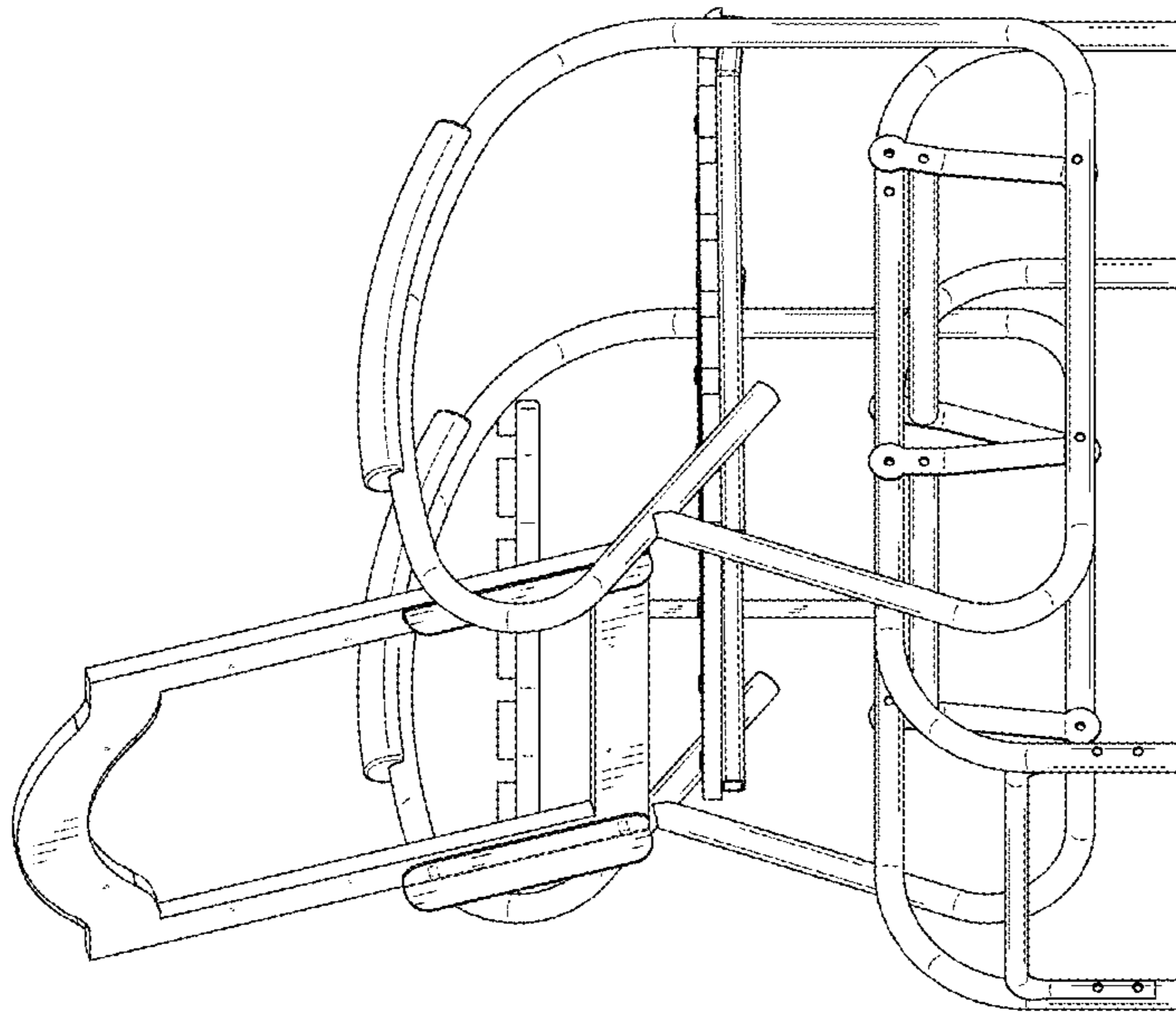


FIG. 4

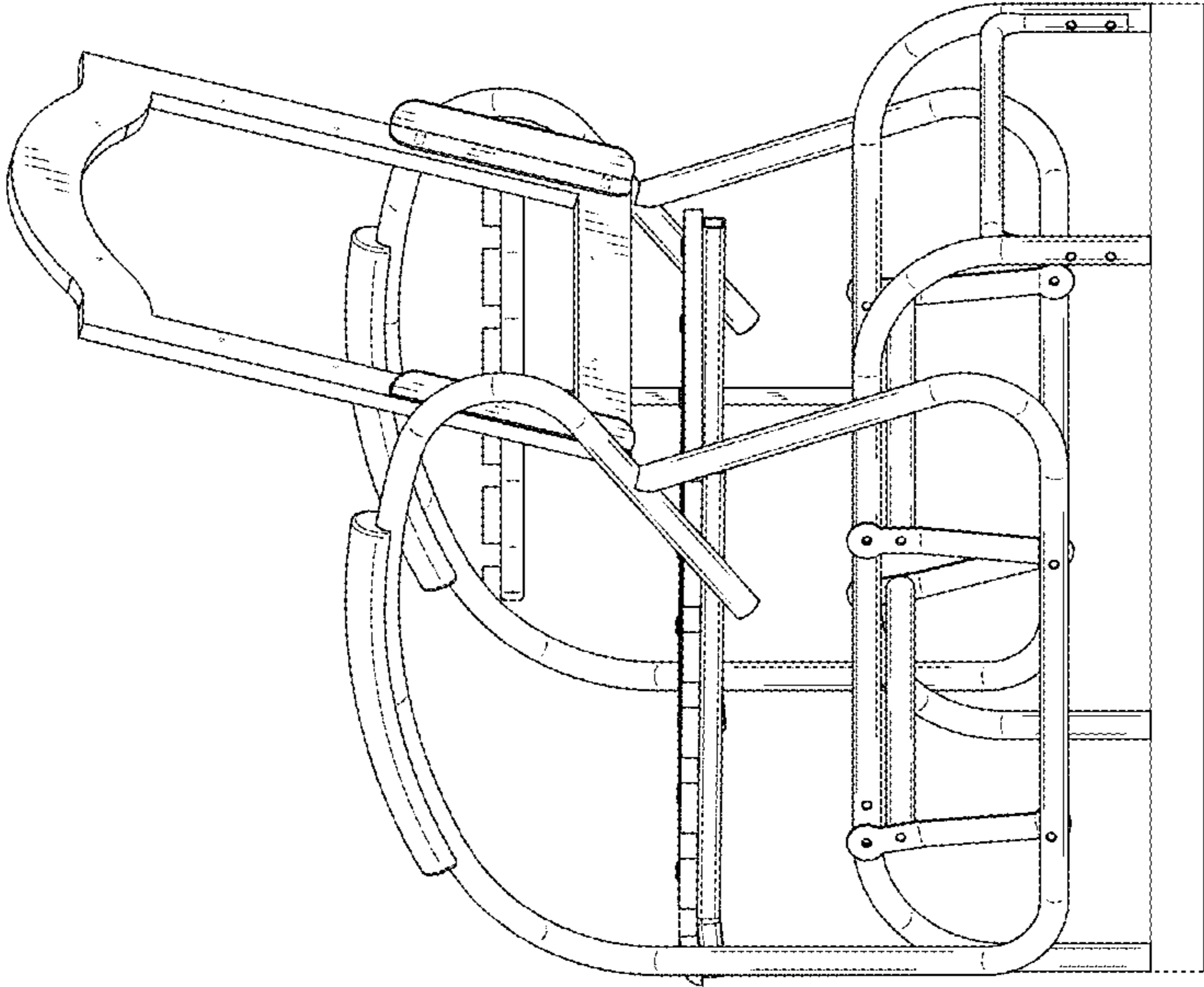


FIG. 5

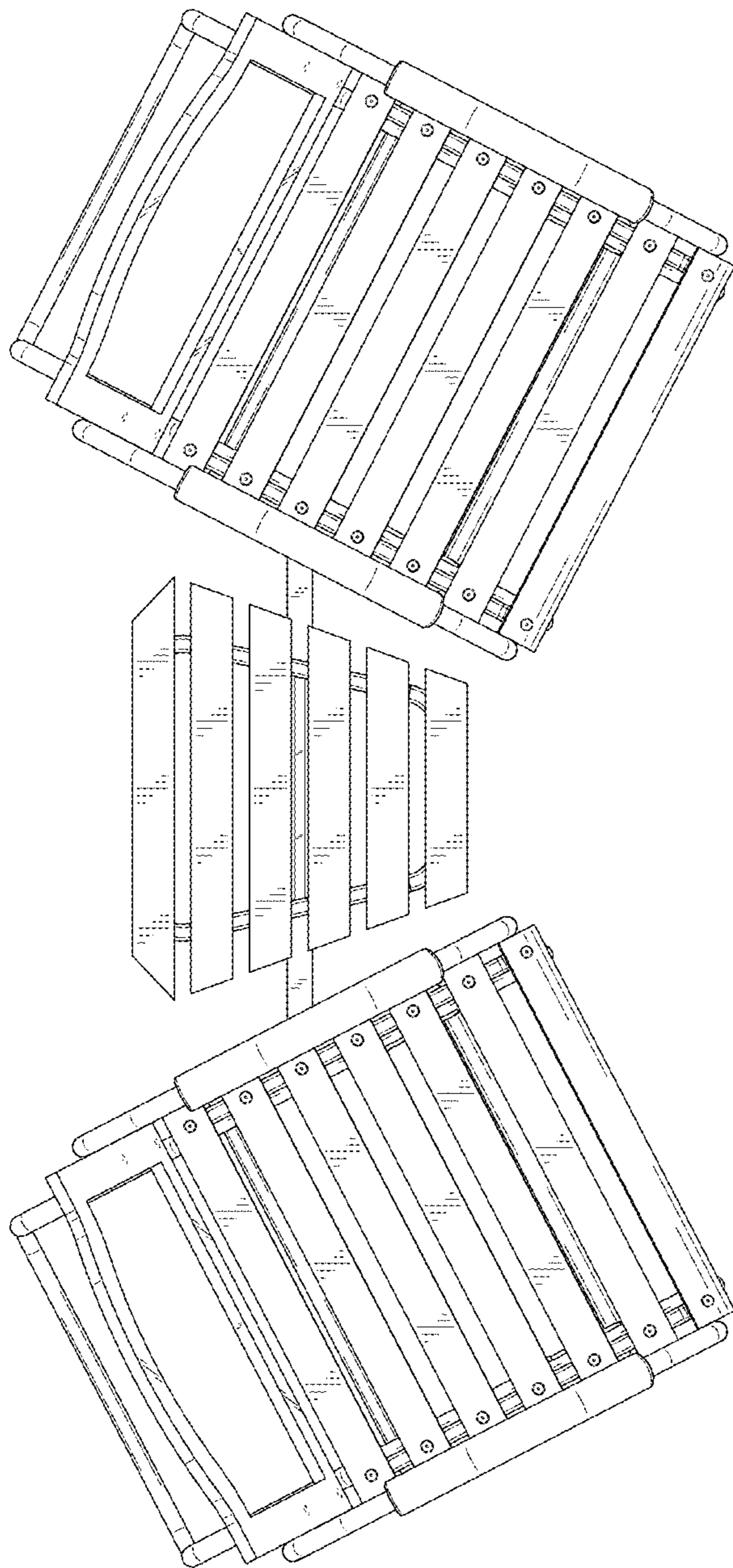


FIG. 6

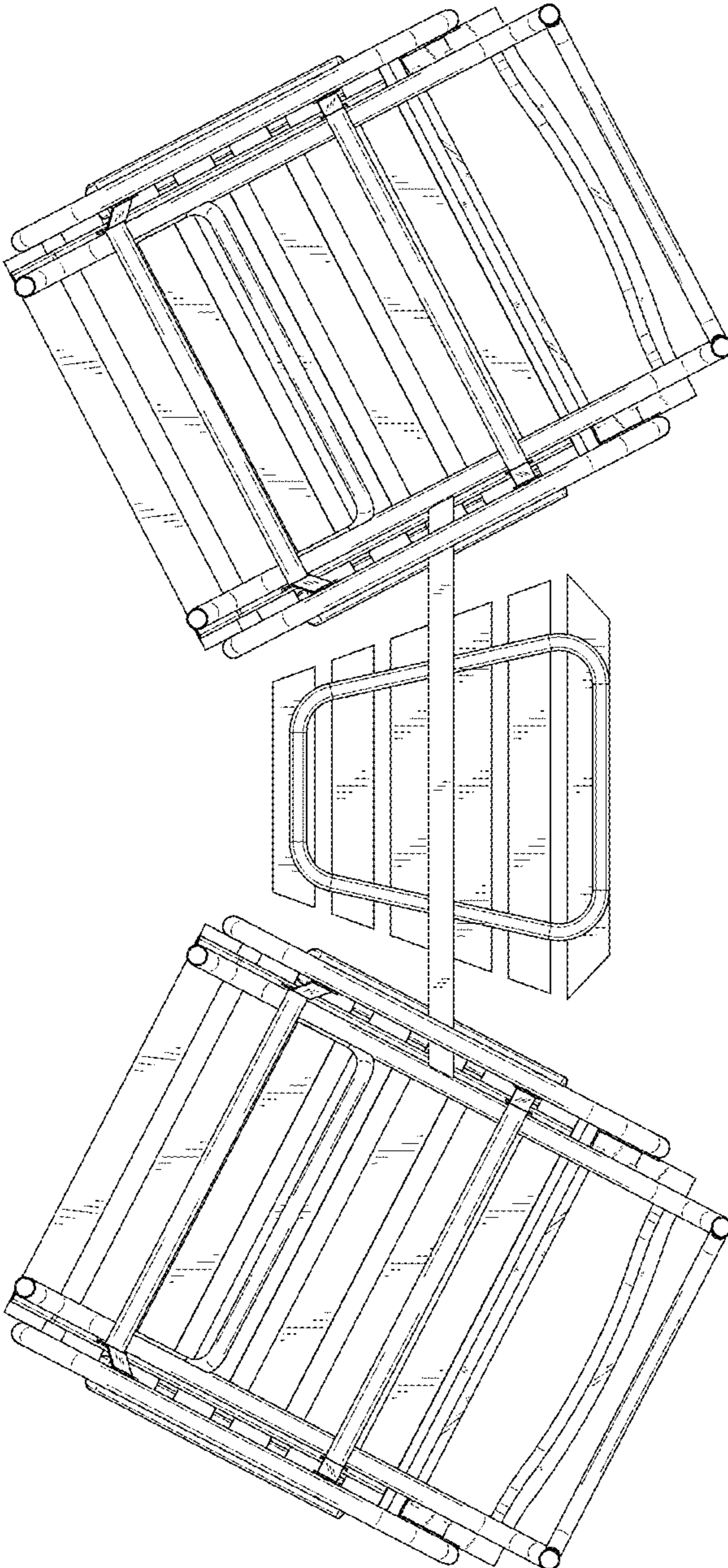


FIG. 7

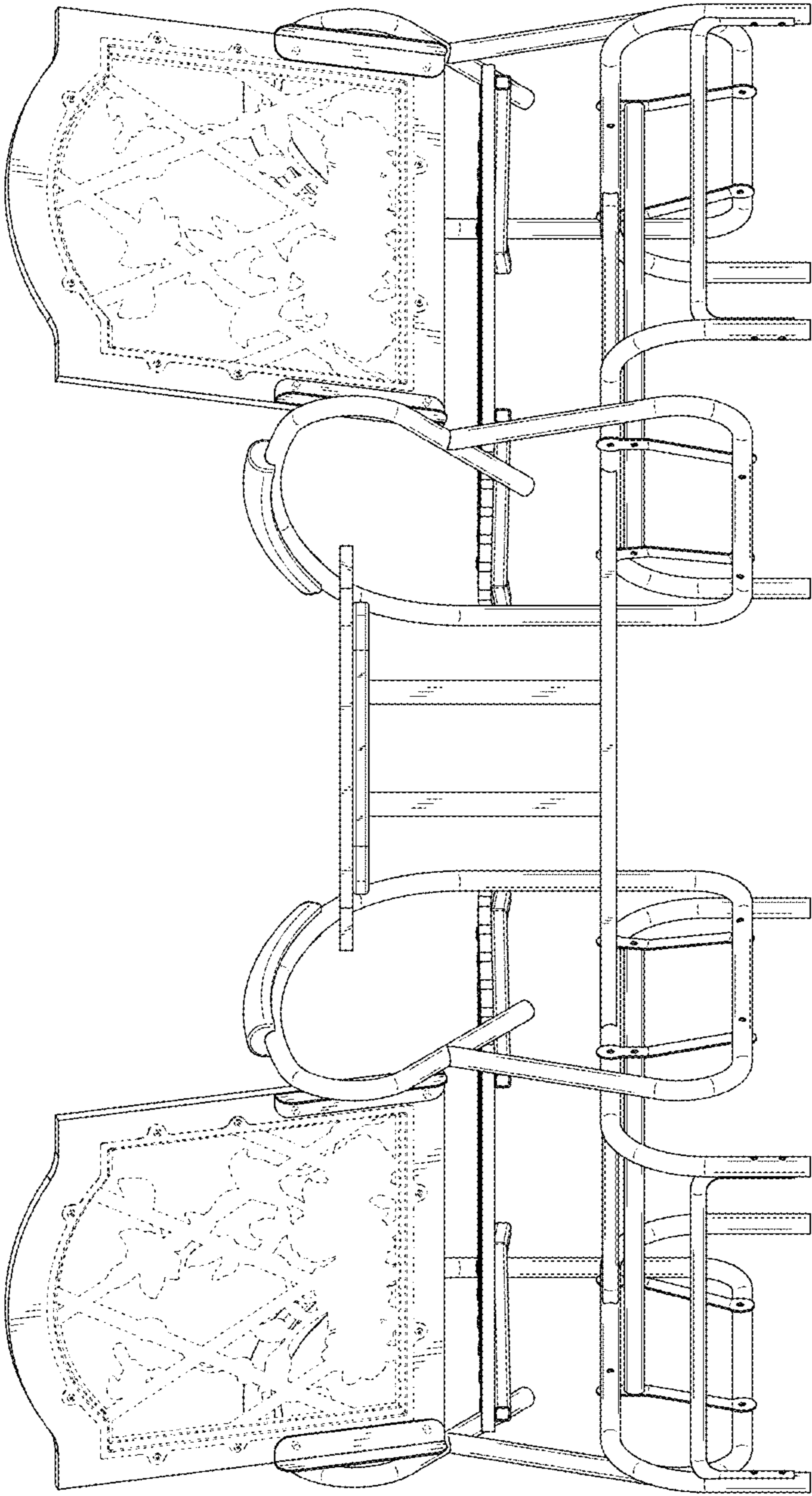


FIG. 8