



US00D985286S

(12) **United States Design Patent**
Kirn

(10) **Patent No.:** **US D985,286 S**

(45) **Date of Patent:** **** May 9, 2023**

(54) **PICNIC TABLE**

D874,839 S * 2/2020 Krouwel D6/337
D902,609 S * 11/2020 Contois D6/337
D929,754 S * 9/2021 Kong D6/337

(71) Applicant: **Columbia Cascade Company,**
Portland, OR (US)

FOREIGN PATENT DOCUMENTS

(72) Inventor: **Steven K. Kirn,** Portland, OR (US)

WO WO-D047460-003 * 6/1999

(73) Assignee: **Columbia Cascade Company,**
Portland, OR (US)

OTHER PUBLICATIONS

(**) Term: **15 Years**

TimberForm Metro Table with Seats [online], [site visited Aug. 10, 2022]. Available from internet, URL: <<https://http://site-furnishings.columbia-cascade.com/?PageData=baseproductgall&catid=4&catid2=177>> (Year: 2022).*

(21) Appl. No.: **29/774,500**

* cited by examiner

(22) Filed: **Mar. 17, 2021**

(51) **LOC (14) Cl.** **06-01**

Primary Examiner — Cynthia Ramirez

(52) **U.S. Cl.**

Assistant Examiner — Xavier Marti-Santos

USPC **D6/337**

(74) *Attorney, Agent, or Firm* — Schwabe, Williamson & Wyatt, PC

(58) **Field of Classification Search**

USPC D6/329, 334–338, 374, 375, 379–381,
D6/641, 685, 691, 691.1, 691.3, 692;
D21/519, 521, 522

CPC A47B 3/06; A47B 39/00; A47B 83/00;
A47B 83/02; A47B 83/04; A47C 1/031;
A47C 4/024; A47C 4/027; A47C 4/03;
A47C 4/08; A47C 7/16; A47C 11/00

(57) **CLAIM**

See application file for complete search history.

The ornamental design for a picnic table, as shown and described.

DESCRIPTION

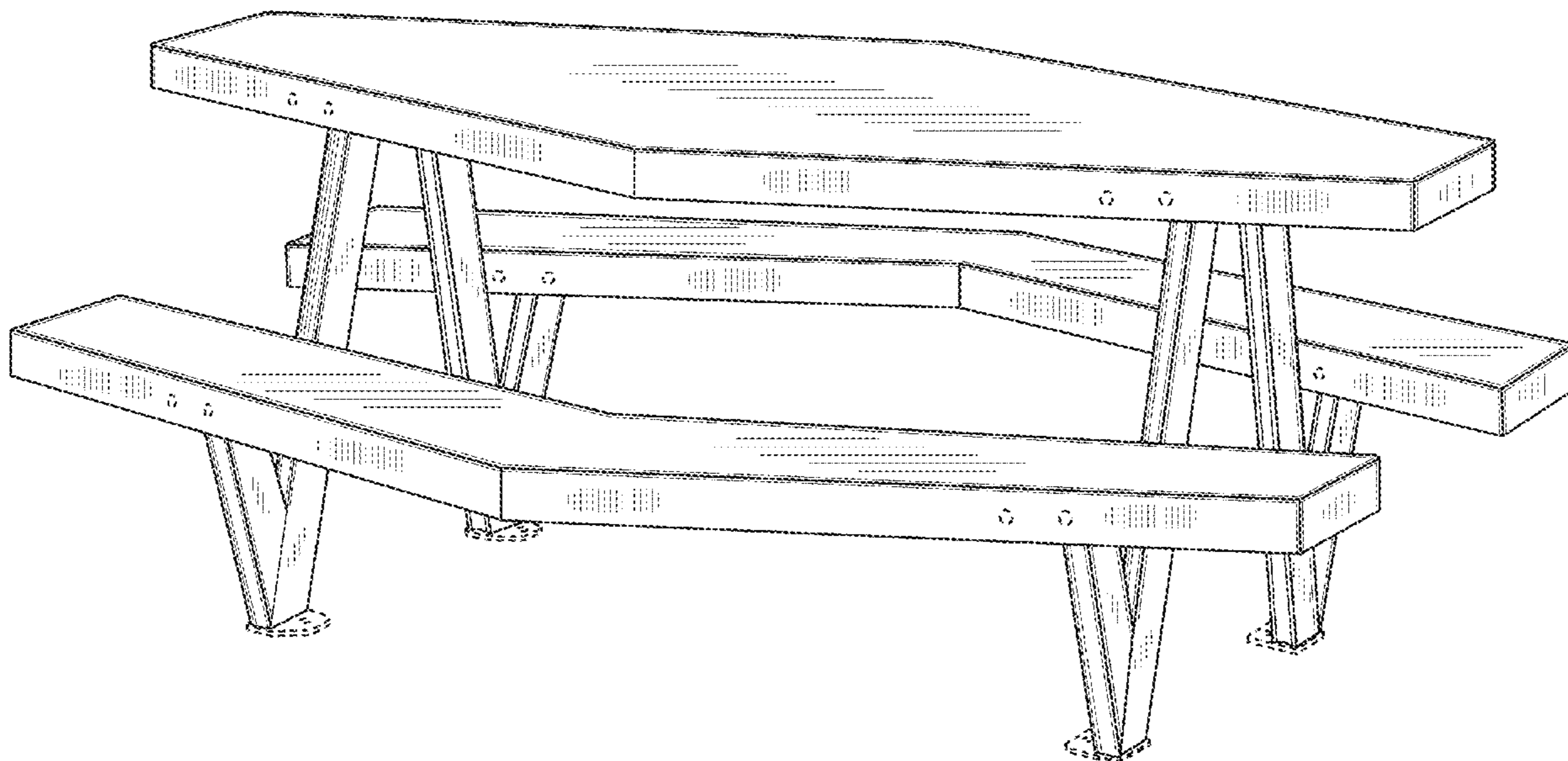
(56) **References Cited**

U.S. PATENT DOCUMENTS

D272,302 S * 1/1984 Connelly D6/337
D315,649 S * 3/1991 Fisher D6/337
D409,008 S * 5/1999 Lunn D6/337
6,010,185 A * 1/2000 Petersen A47B 37/04
297/157.1
D489,539 S * 5/2004 Thomas D6/337
D553,868 S * 10/2007 Knapper D6/337
D846,292 S * 4/2019 Wynants D6/337

FIG. 1 is a perspective view of the picnic table showing my new design;
FIG. 2 is a top plan view thereof;
FIG. 3 is a bottom view thereof;
FIG. 4 is a side elevation view thereof; and,
FIG. 5 is a rear elevation view thereof.
The broken lines in the figures represent portions of the picnic table that form no part of the claimed design.

1 Claim, 4 Drawing Sheets



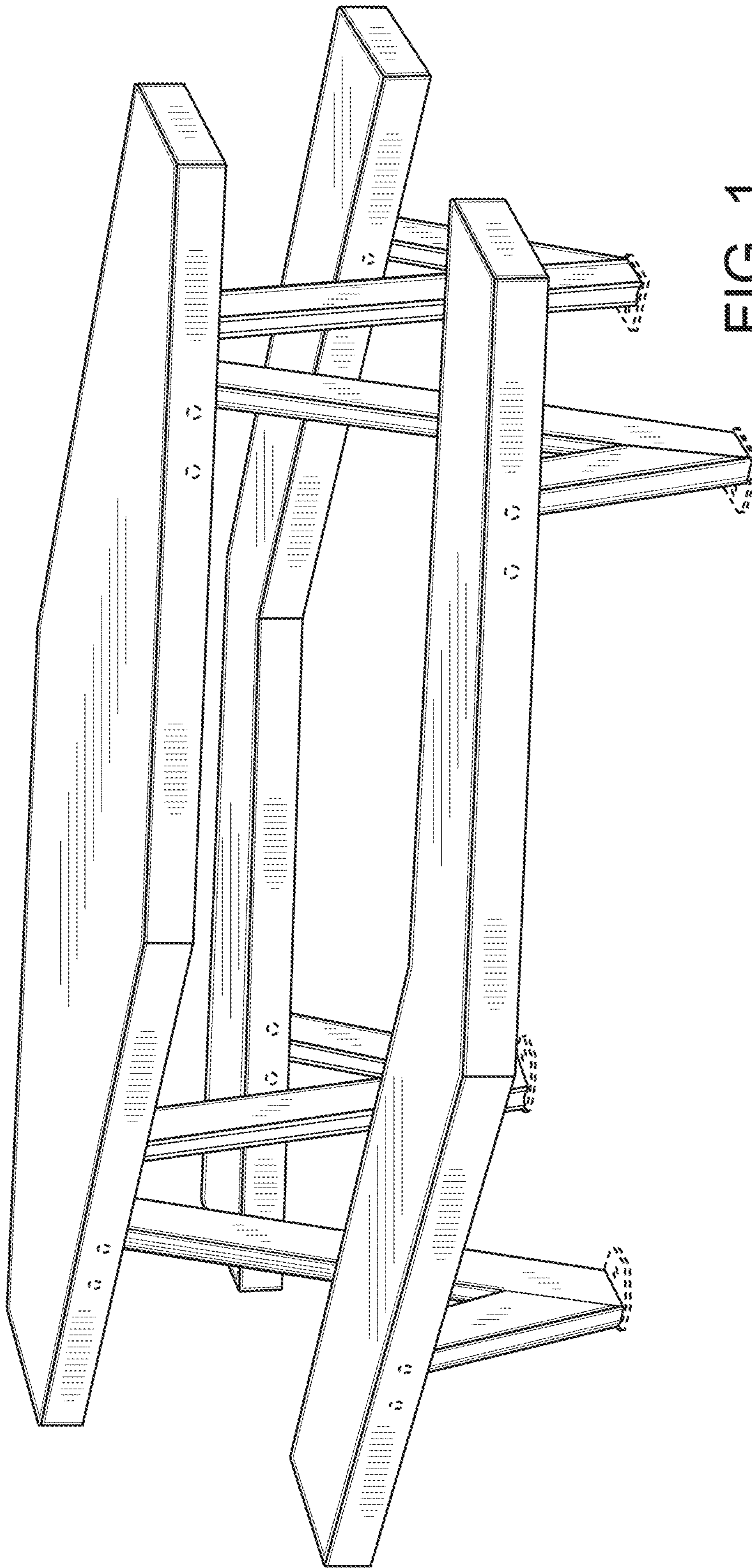


FIG. 1

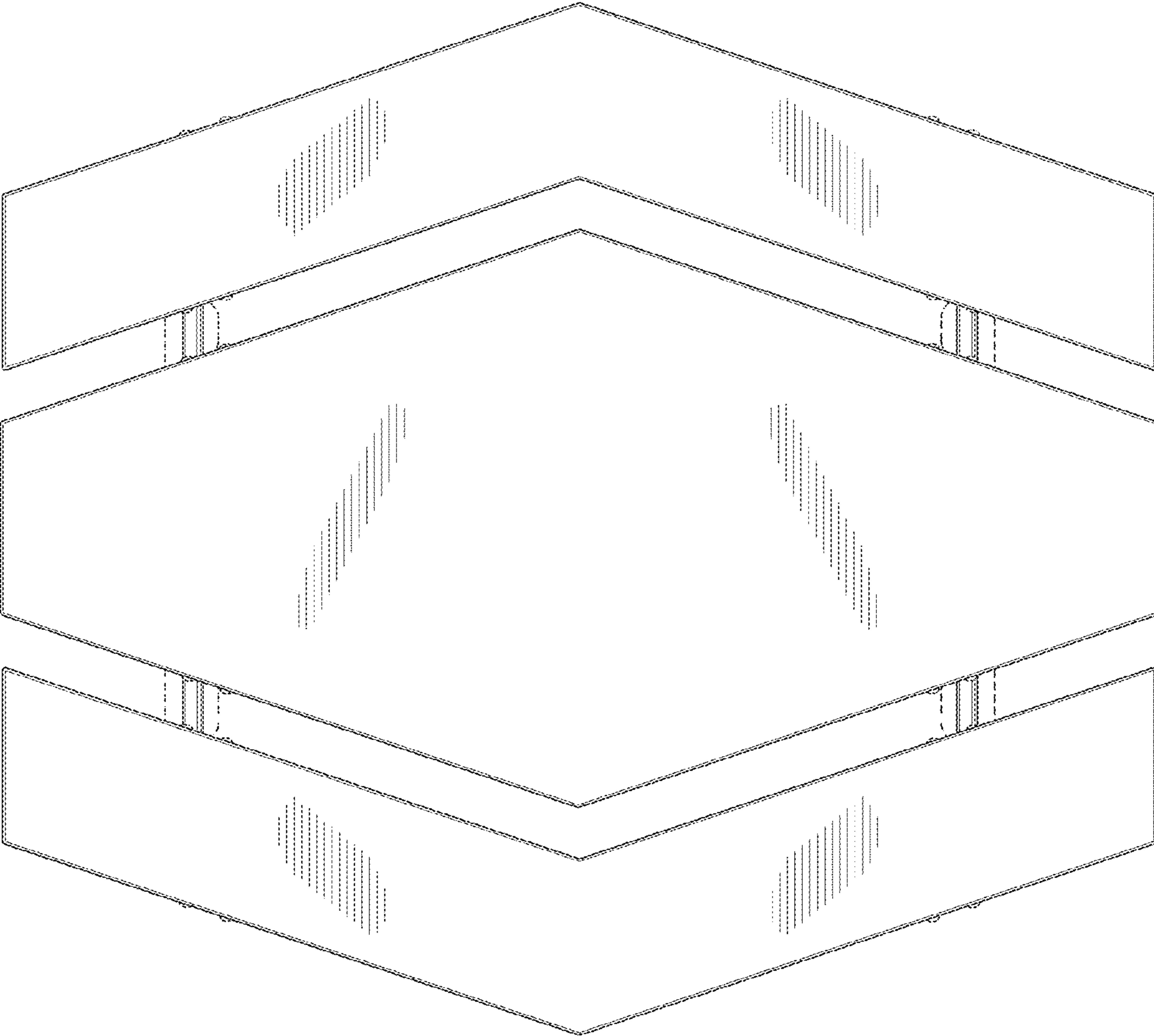


FIG. 2

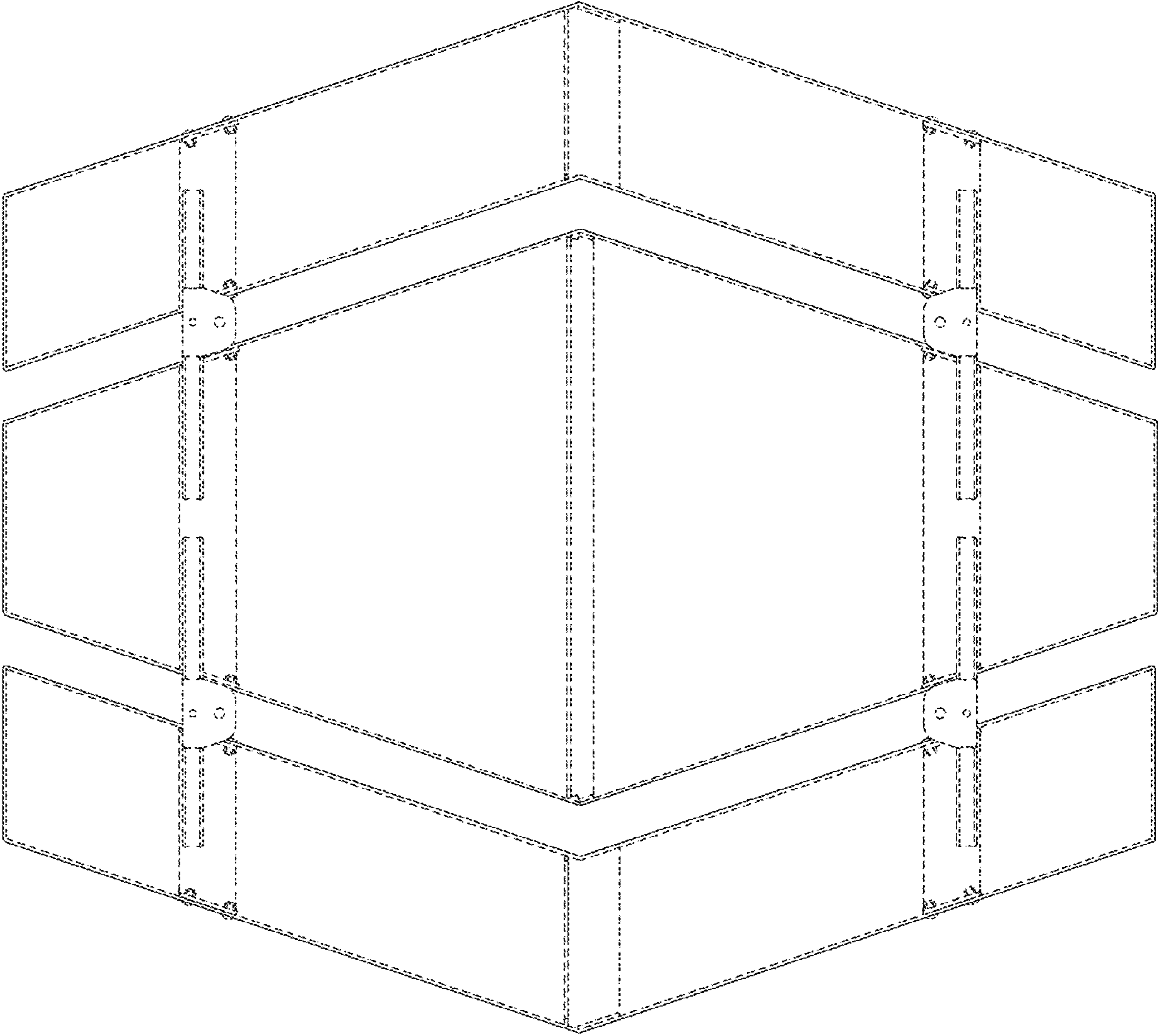


FIG. 3

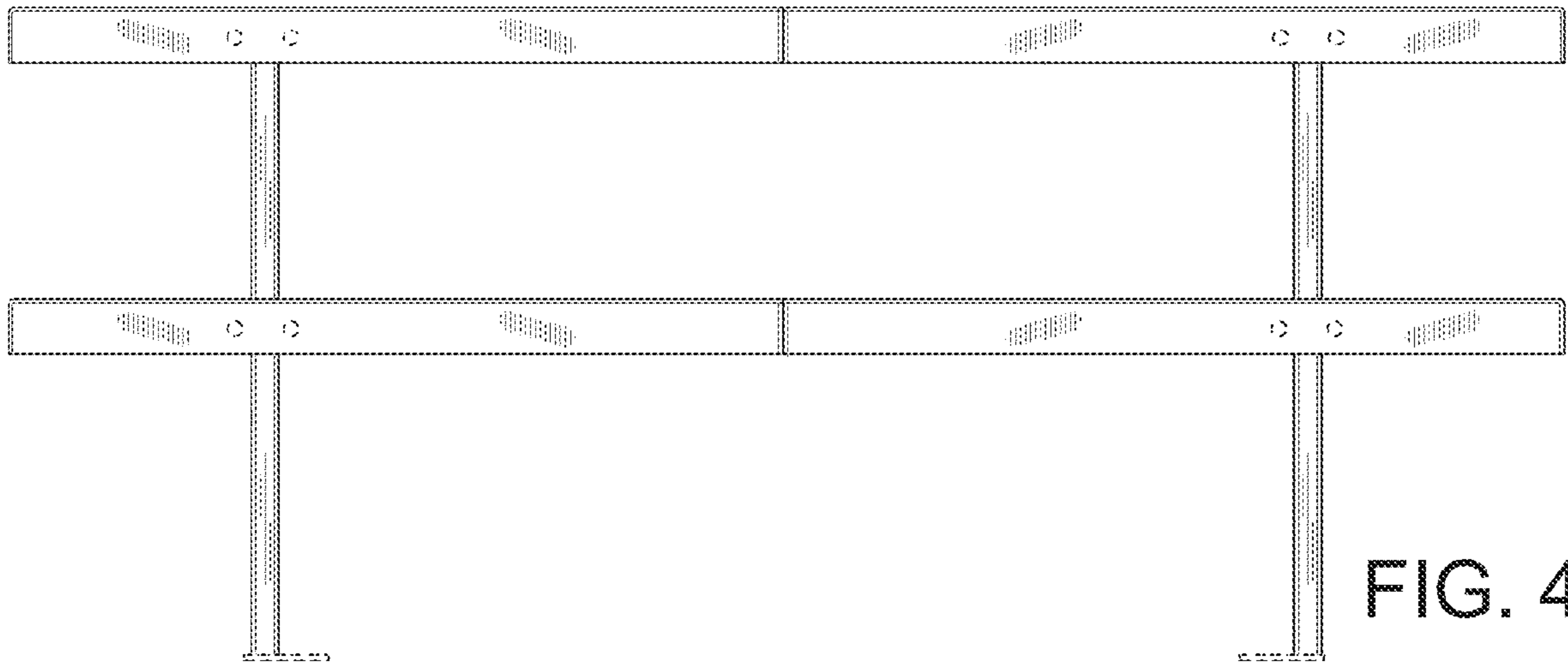


FIG. 4

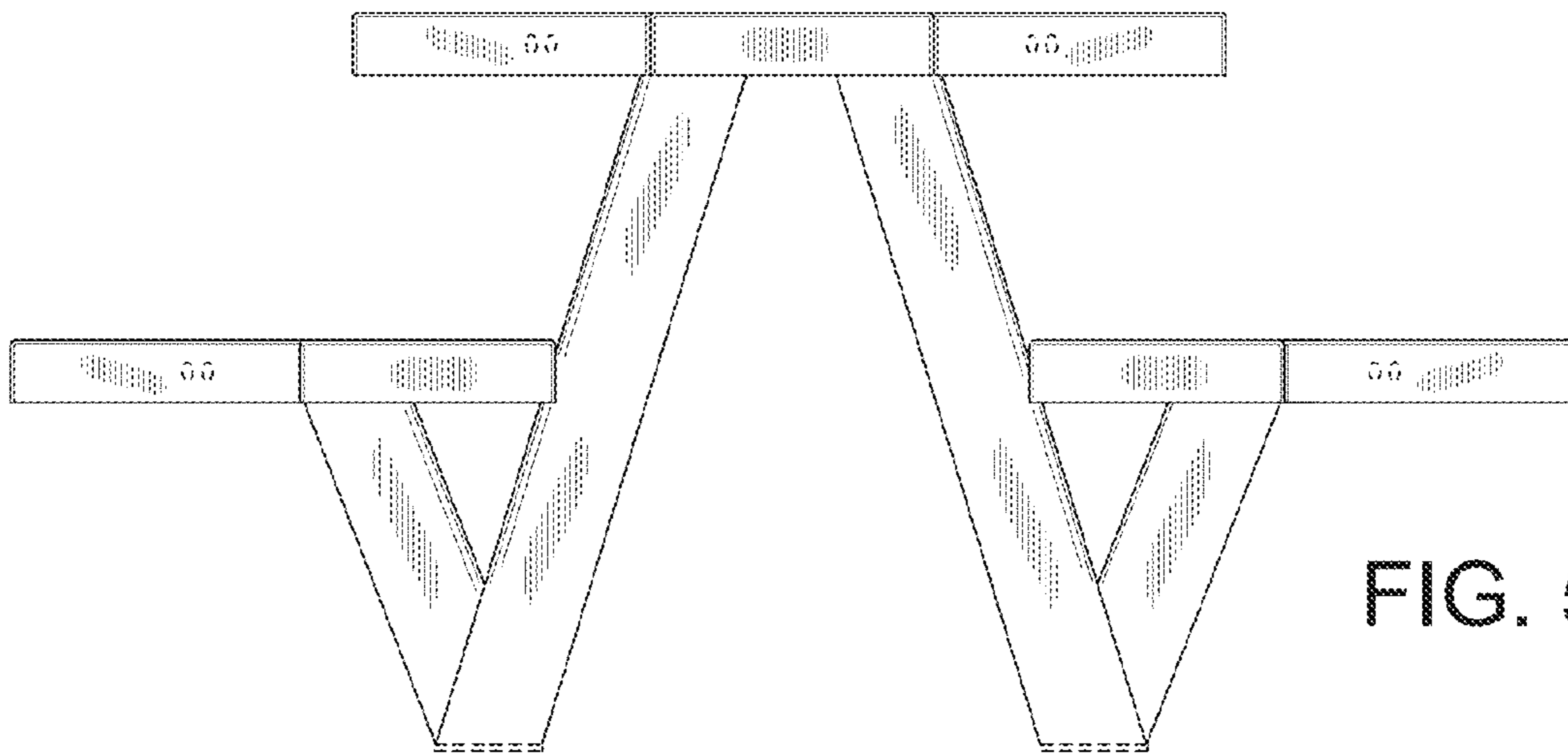


FIG. 5