



US00D985283S

(12) **United States Design Patent** (10) **Patent No.:** **US D985,283 S**  
**Berger** (45) **Date of Patent:** **\*\* May 9, 2023**

(54) **MIRROR**  
 (71) Applicant: **RH US, LLC**, Corte Madera, CA (US)  
 (72) Inventor: **Alison Berger**, Los Angeles, CA (US)  
 (73) Assignee: **RH US, LLC**, Corte Madera, CA (US)  
 (\*\*) Term: **15 Years**

D802,942 S \* 11/2017 Nikolov ..... D6/300  
 D802,943 S \* 11/2017 Nikolov ..... D6/300  
 D807,048 S \* 1/2018 Gilad ..... D6/300  
 D807,057 S \* 1/2018 Gilad ..... D6/309  
 D807,058 S \* 1/2018 Gilad ..... D6/309  
 D844,885 S \* 4/2019 Tommei ..... D26/92  
 D933,975 S \* 10/2021 Sætter-Lassen ..... D6/313  
 D942,162 S \* 2/2022 Zhang ..... D6/312  
 D949,579 S \* 4/2022 Chen ..... D6/309  
 D972,315 S \* 12/2022 Zhu ..... D6/312

(21) Appl. No.: **29/785,631**  
 (22) Filed: **May 26, 2021**  
 (51) **LOC (14) Cl.** ..... **06-07**  
 (52) **U.S. Cl.**  
 USPC ..... **D6/300**  
 (58) **Field of Classification Search**  
 USPC ..... D6/300-314  
 CPC ..... A47G 2001/002  
 See application file for complete search history.

FOREIGN PATENT DOCUMENTS

CN 306518350 \* 5/2021  
 CN 306718987 \* 7/2021  
 CN 307217841 \* 4/2022

\* cited by examiner

*Primary Examiner* — Deanna L Pratt  
 (74) *Attorney, Agent, or Firm* — Lewis Roca Rothgerber  
 Christie LLP

(57) **CLAIM**

The ornamental design for a mirror, as shown and described.

**DESCRIPTION**

FIG. 1 is a front right perspective view of a first embodiment of a mirror showing my new design;  
 FIG. 2 is a top plan view thereof, the bottom plan view being a mirror image;  
 FIG. 3 is a front elevation view thereof;  
 FIG. 4 is a left side elevation view thereof  
 FIG. 5 is a right side elevation view thereof; and,  
 FIG. 6 is a front right perspective view thereof showing a swivel-arm and transparent lens of the mirror in a position swiveled to the left.  
 The short-short-long broken lines represent features of the mirror as viewed through the transparent lens.

(56) **References Cited**

U.S. PATENT DOCUMENTS

D94,050 S \* 12/1934 Ritz-Woller ..... D6/308  
 D160,995 S \* 11/1950 Busa ..... D6/301  
 3,374,047 A \* 3/1968 Gatchell ..... G02B 25/00  
 3,970,369 A \* 7/1976 Wachsman ..... G02B 27/027  
 4,775,231 A \* 10/1988 Granzow ..... G02B 7/1824  
 D339,921 S \* 10/1993 Nourse ..... D6/300  
 D409,003 S \* 5/1999 Scavini ..... D6/309  
 D431,375 S \* 10/2000 Zadro ..... D6/309  
 D522,762 S \* 6/2006 Hutton ..... D6/309  
 D532,981 S \* 12/2006 Zadro ..... D6/309  
 D558,988 S \* 1/2008 Gibson ..... D6/309  
 D566,974 S \* 4/2008 Lee ..... D6/300

**1 Claim, 4 Drawing Sheets**

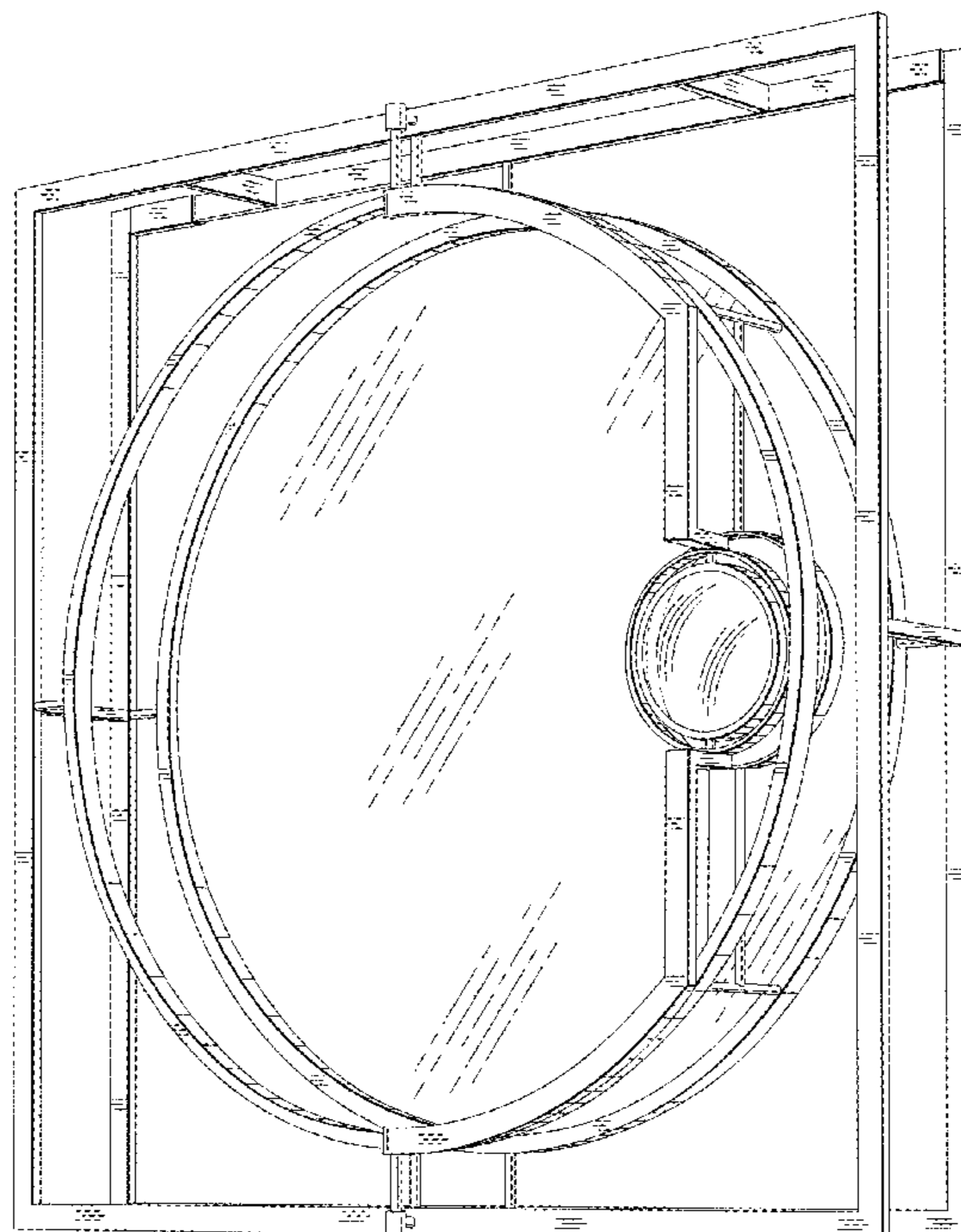


FIG. 1

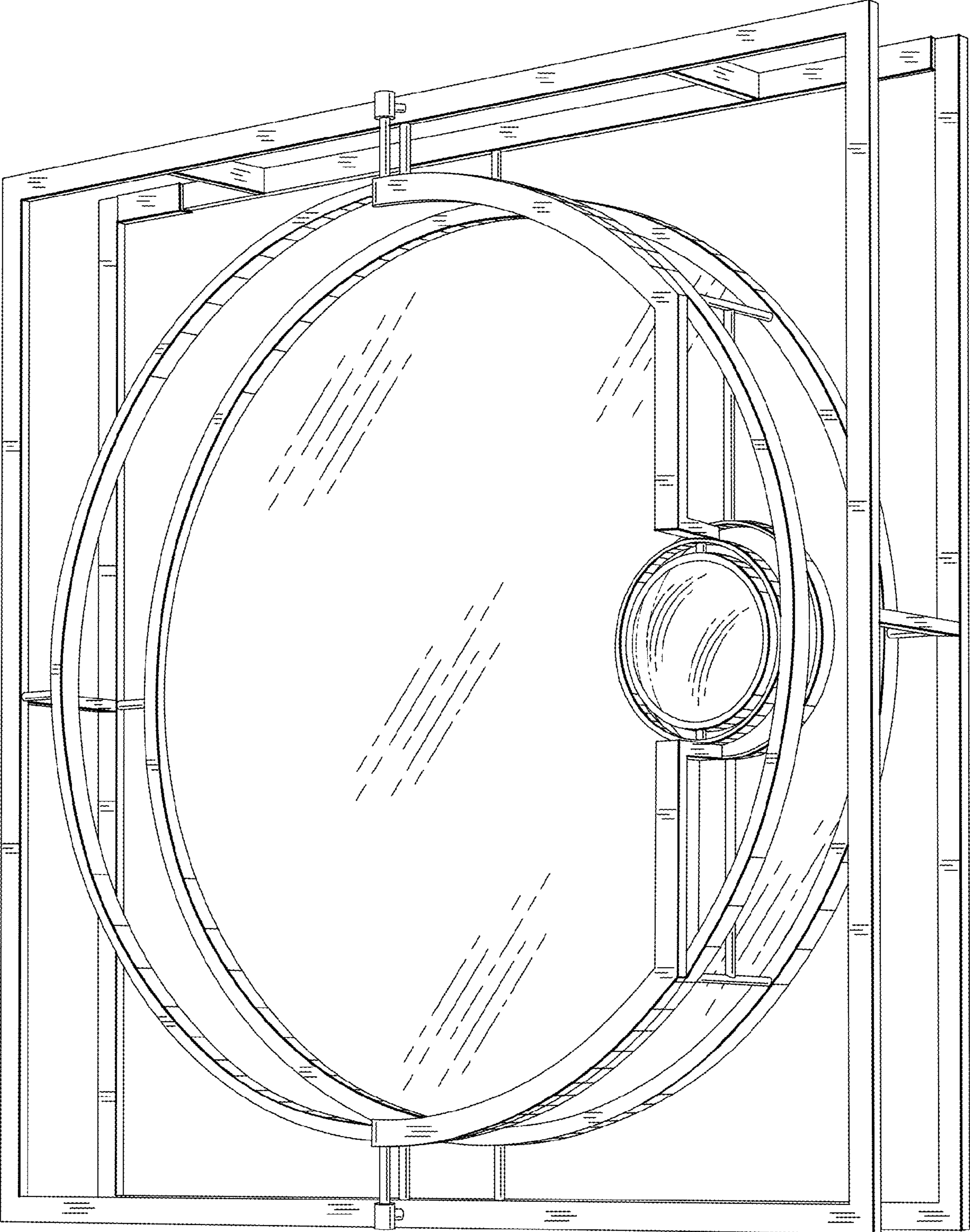


FIG. 2

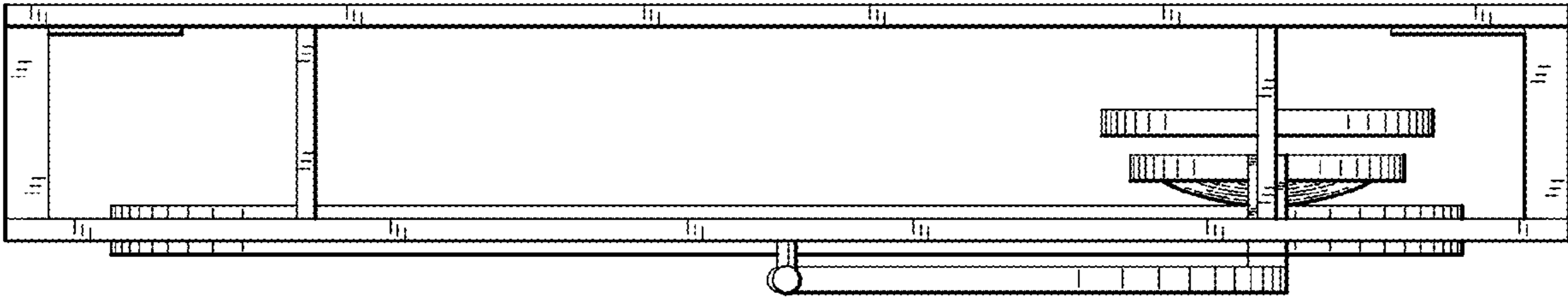


FIG. 3

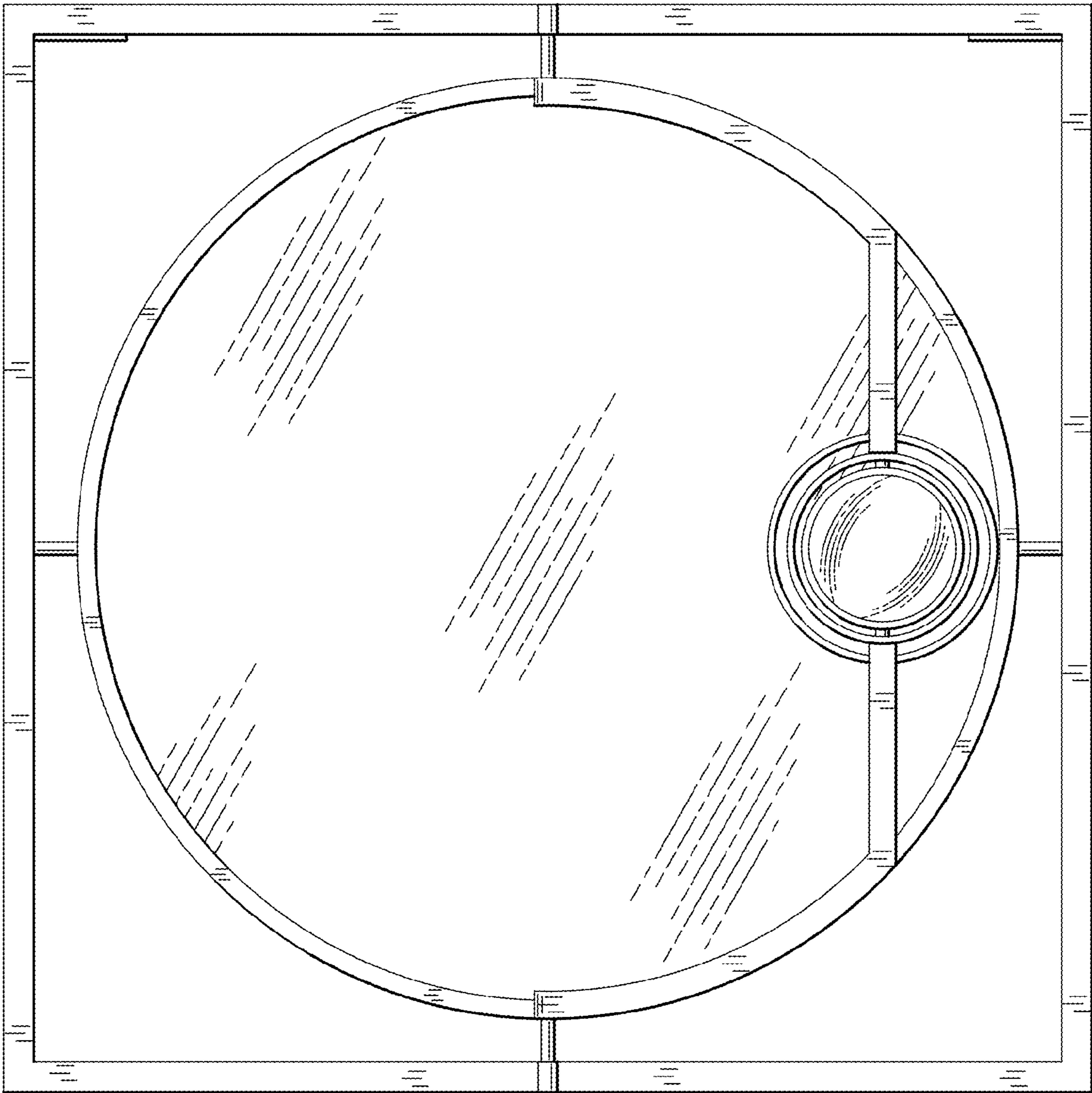


FIG. 4

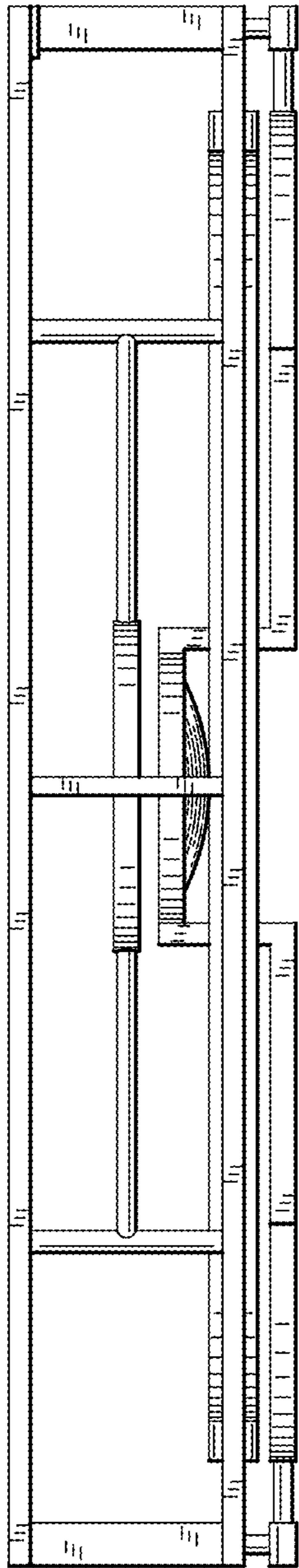


FIG. 5

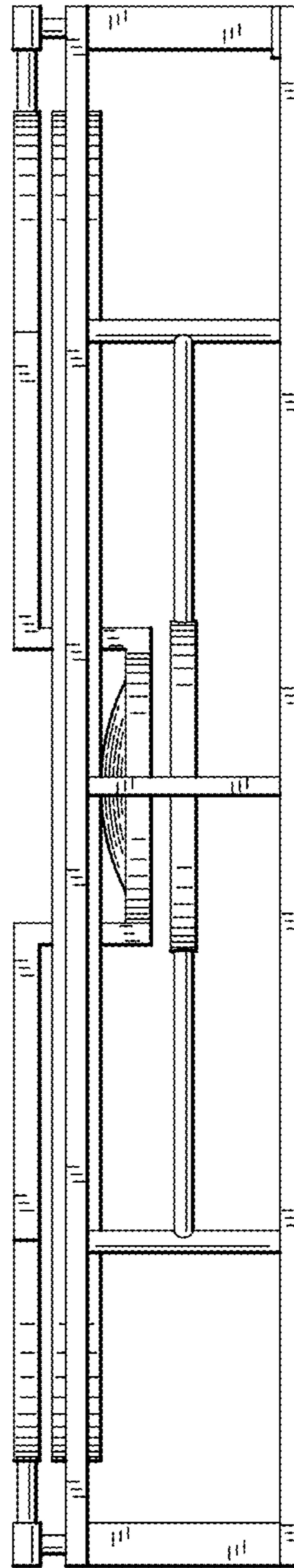


FIG. 6

