



US00D985282S

(12) **United States Design Patent**
Yang

(10) **Patent No.:** **US D985,282 S**
(45) **Date of Patent:** **** May 9, 2023**

(54) **MIRROR**

FOREIGN PATENT DOCUMENTS

(71) Applicant: **Dongguan Powerme Tech. Co., Ltd.**,
Dongguan (CN)

CN 307247797 * 4/2022
CN 307572834 * 9/2022

(72) Inventor: **Guowei Yang**, Dongguan (CN)

* cited by examiner

(**) Term: **15 Years**

Primary Examiner — Deanna L Pratt

(21) Appl. No.: **29/882,473**

(74) *Attorney, Agent, or Firm* — Daniel M. Cohn;
Howard M. Cohn

(22) Filed: **Jan. 14, 2023**

(57) **CLAIM**

(51) **LOC (14) Cl.** **28-03**

The ornamental design for a mirror, as shown and described.

(52) **U.S. Cl.**

USPC **D6/312**

(58) **Field of Classification Search**

DESCRIPTION

USPC D6/300, 301, 302, 308, 309, 310, 311,
D6/312, 313; D28/64.1, 64.3, 64.6, 64.7,
D28/78, 82, 79, 84; D14/252, 253
CPC .. A47G 1/00; A47G 2001/002; F21V 33/004;
A45D 42/10

See application file for complete search history.

FIG. 1 is a perspective view of a mirror showing my new design;
FIG. 2 is another perspective view thereof;
FIG. 3 is a front elevational view thereof;
FIG. 4 is a rear elevational view thereof;
FIG. 5 is a left side elevational view thereof;
FIG. 6 is a right side elevational view thereof;
FIG. 7 is a top plan view thereof;
FIG. 8 is a bottom plan view thereof; and,
FIG. 9 is an enlarged view of portion 9 shown in FIG. 2.

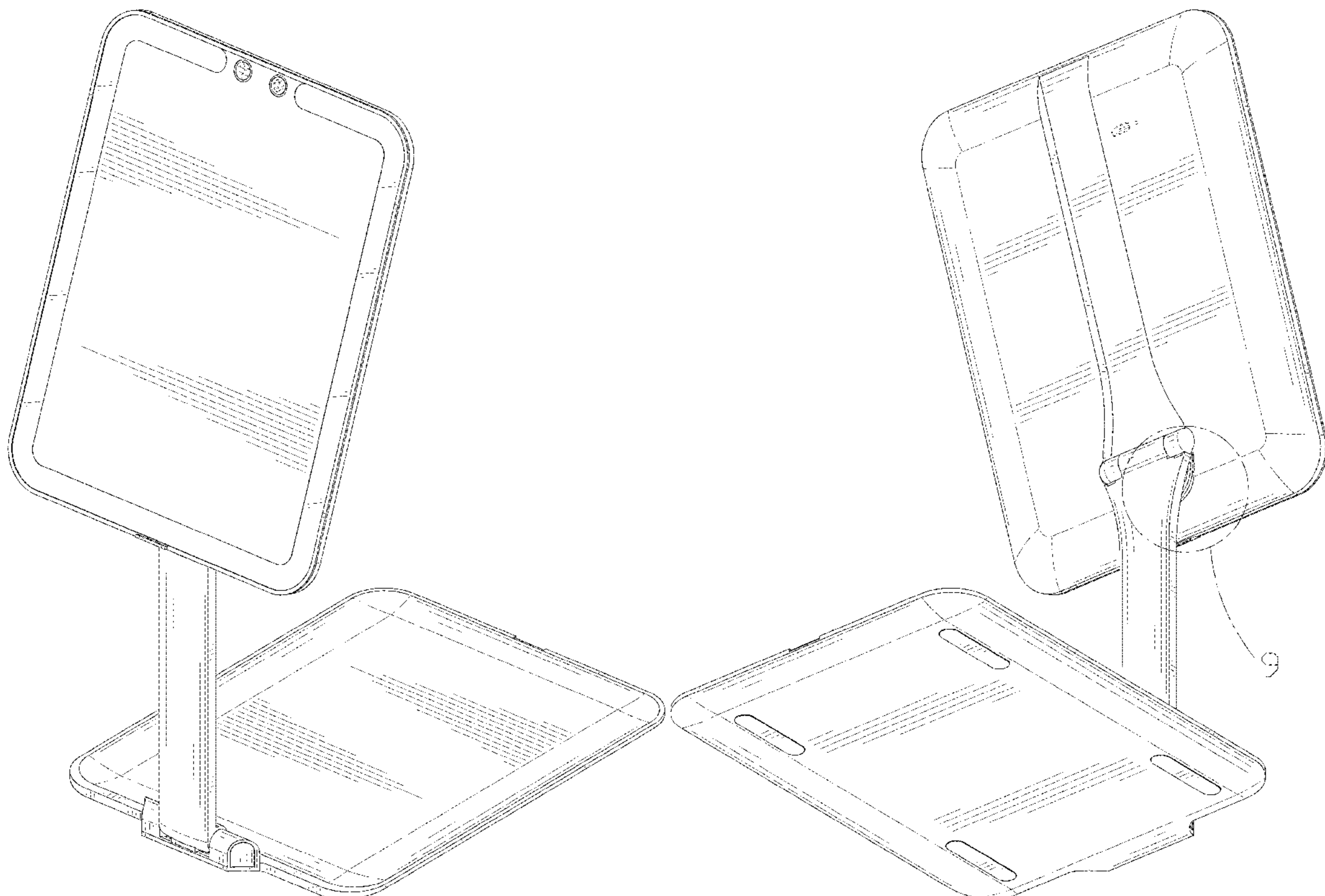
(56) **References Cited**

U.S. PATENT DOCUMENTS

D462,181 S * 9/2002 Vandebussche D6/310
D546,564 S * 7/2007 Lo D6/300
D589,267 S * 3/2009 Pitot D6/308
D933,974 S * 10/2021 Choi D6/310
D959,156 S 8/2022 Xu
D959,857 S 8/2022 Meng
D975,454 S * 1/2023 Yang D6/309

The dash-dash broken lines in the drawings depict portions of the mirror that form no part of the claimed design.
The dot-dash broken lines represent boundaries of the enlarged portions and form no part of the claimed design.

1 Claim, 9 Drawing Sheets



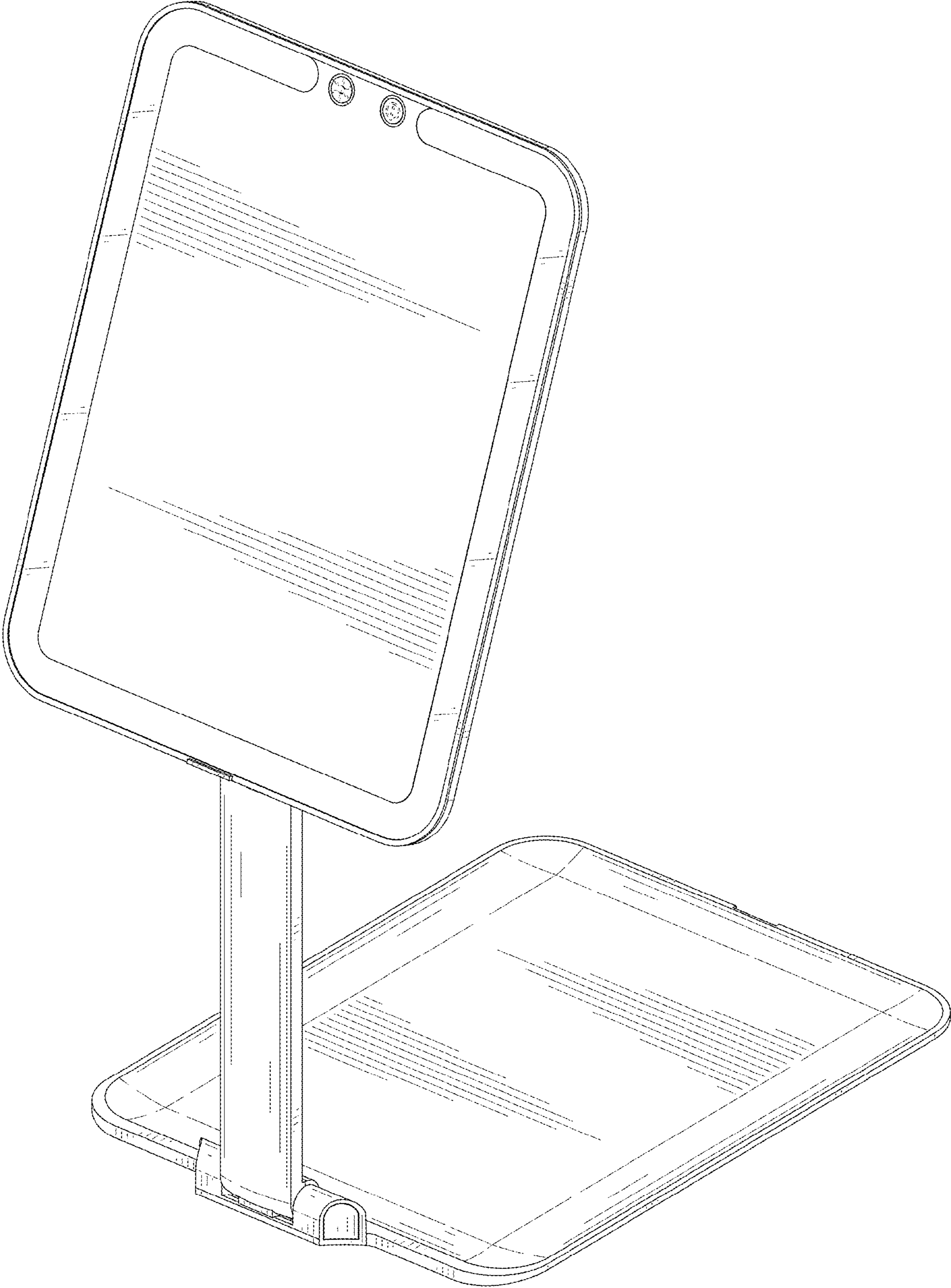


FIG. 1

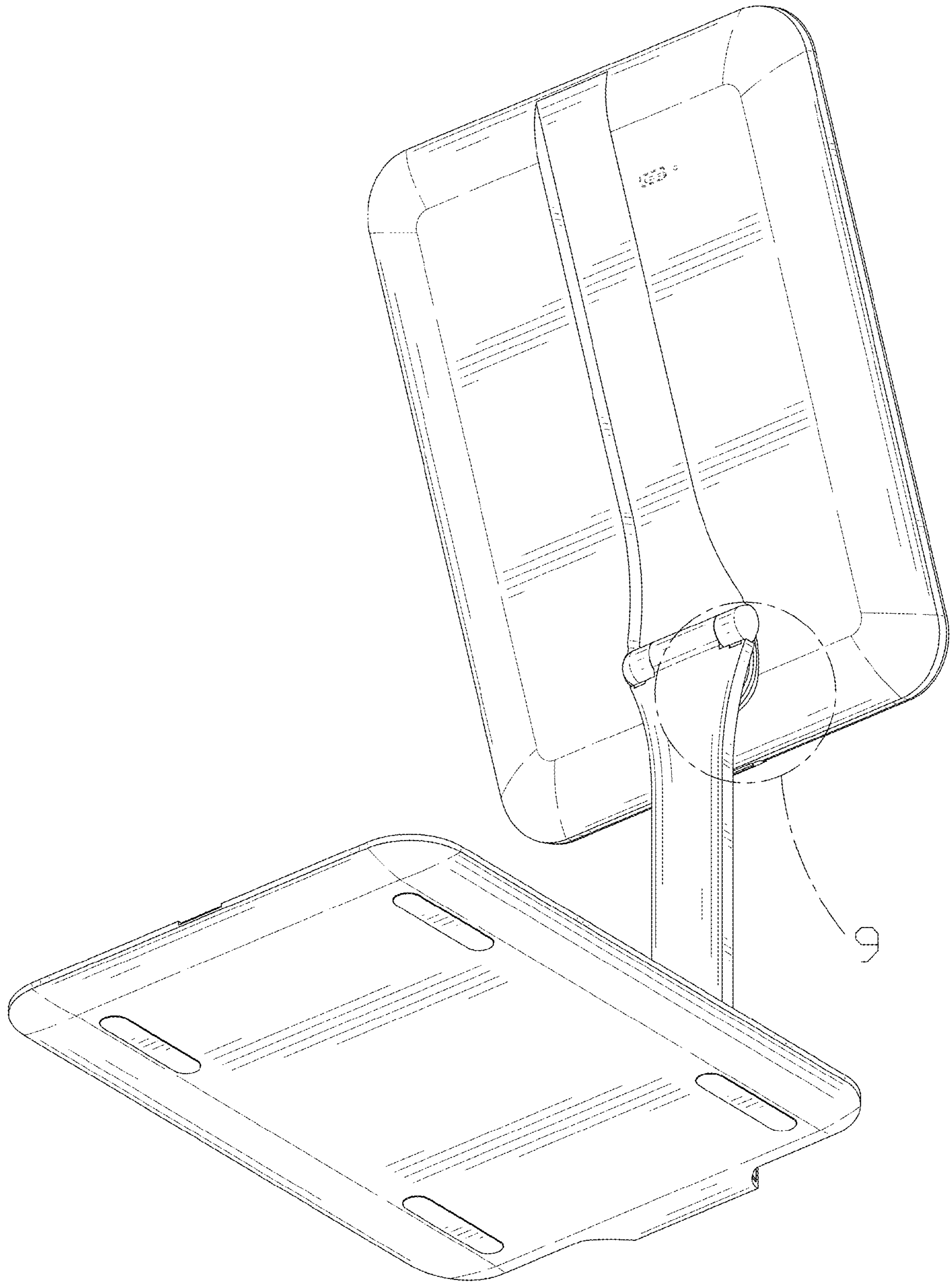


FIG. 2

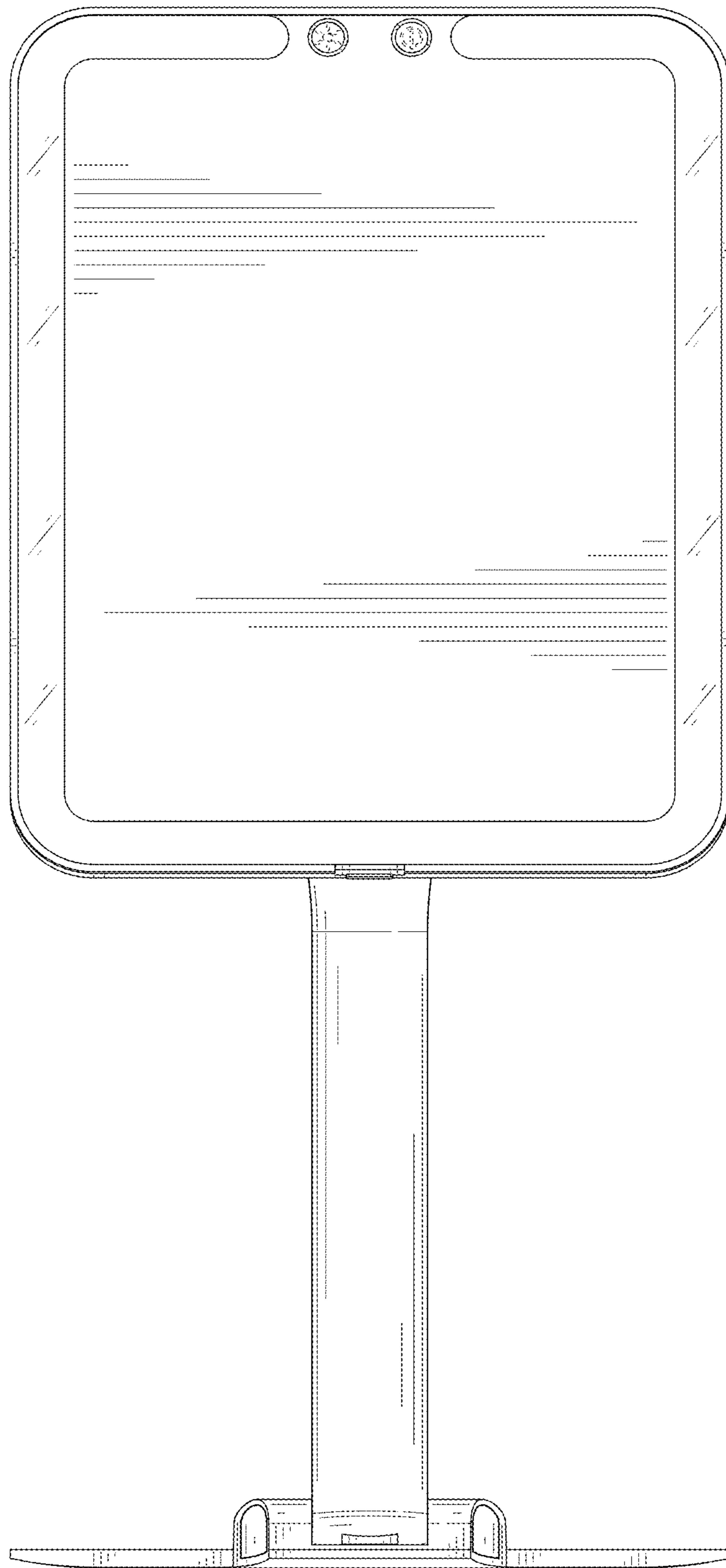


FIG. 3

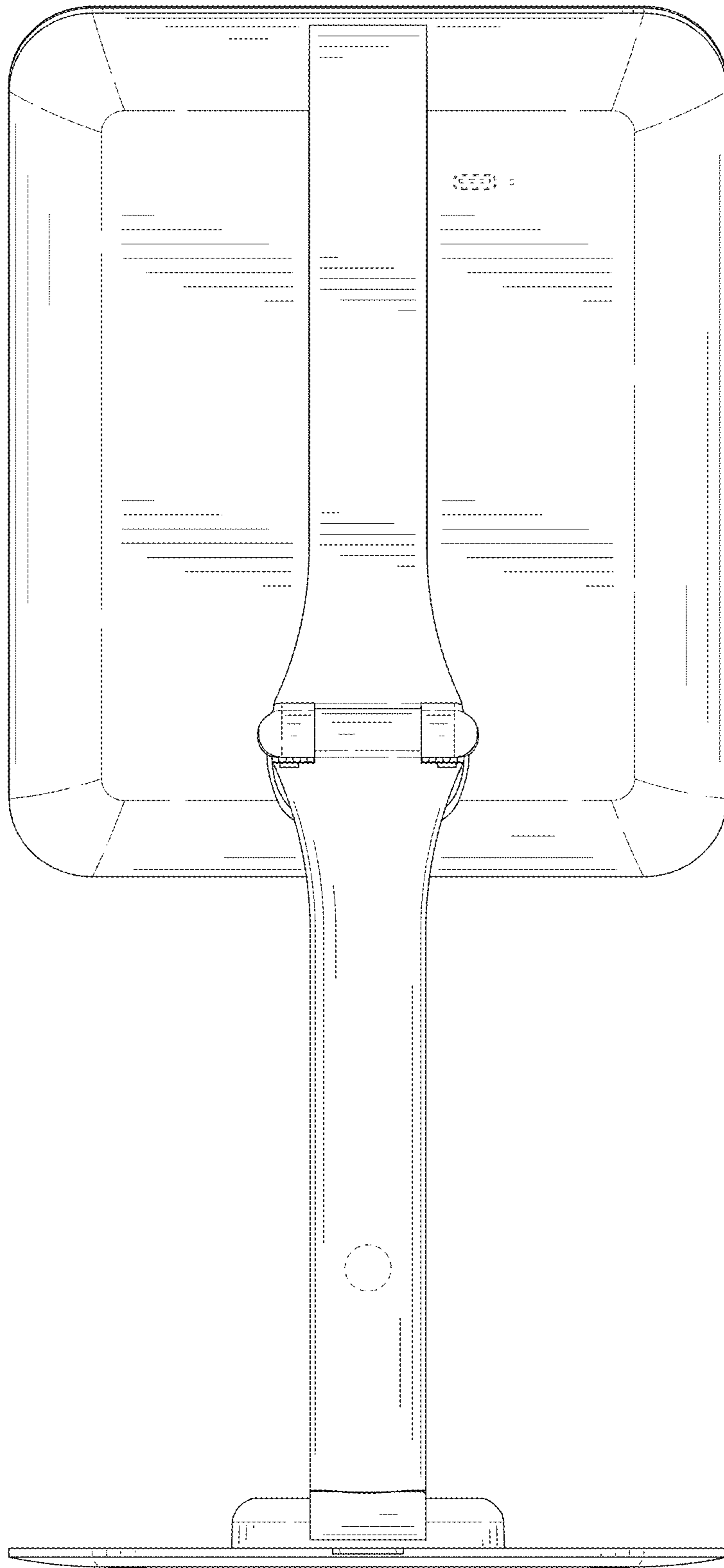


FIG. 4

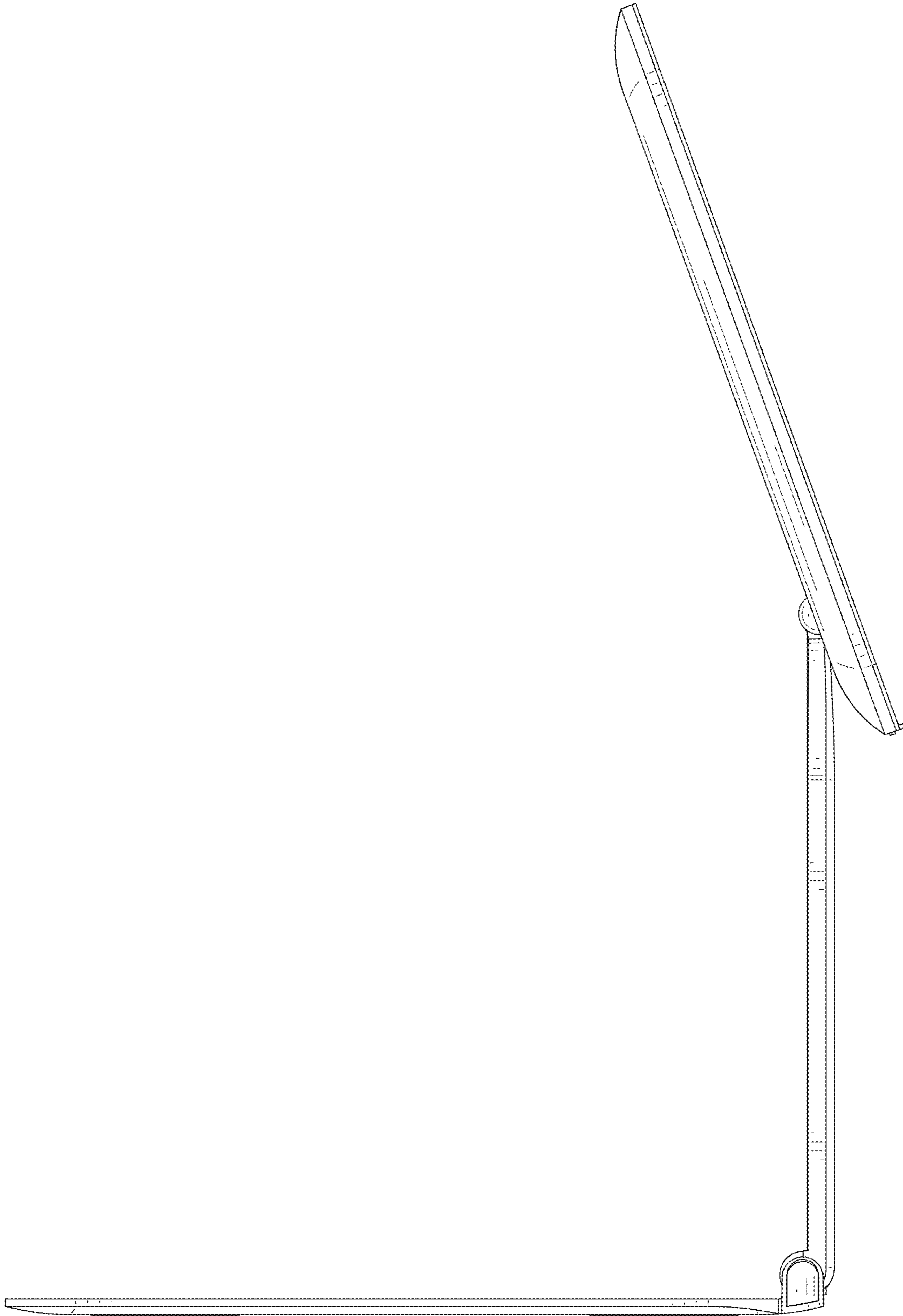


FIG. 5



FIG. 6

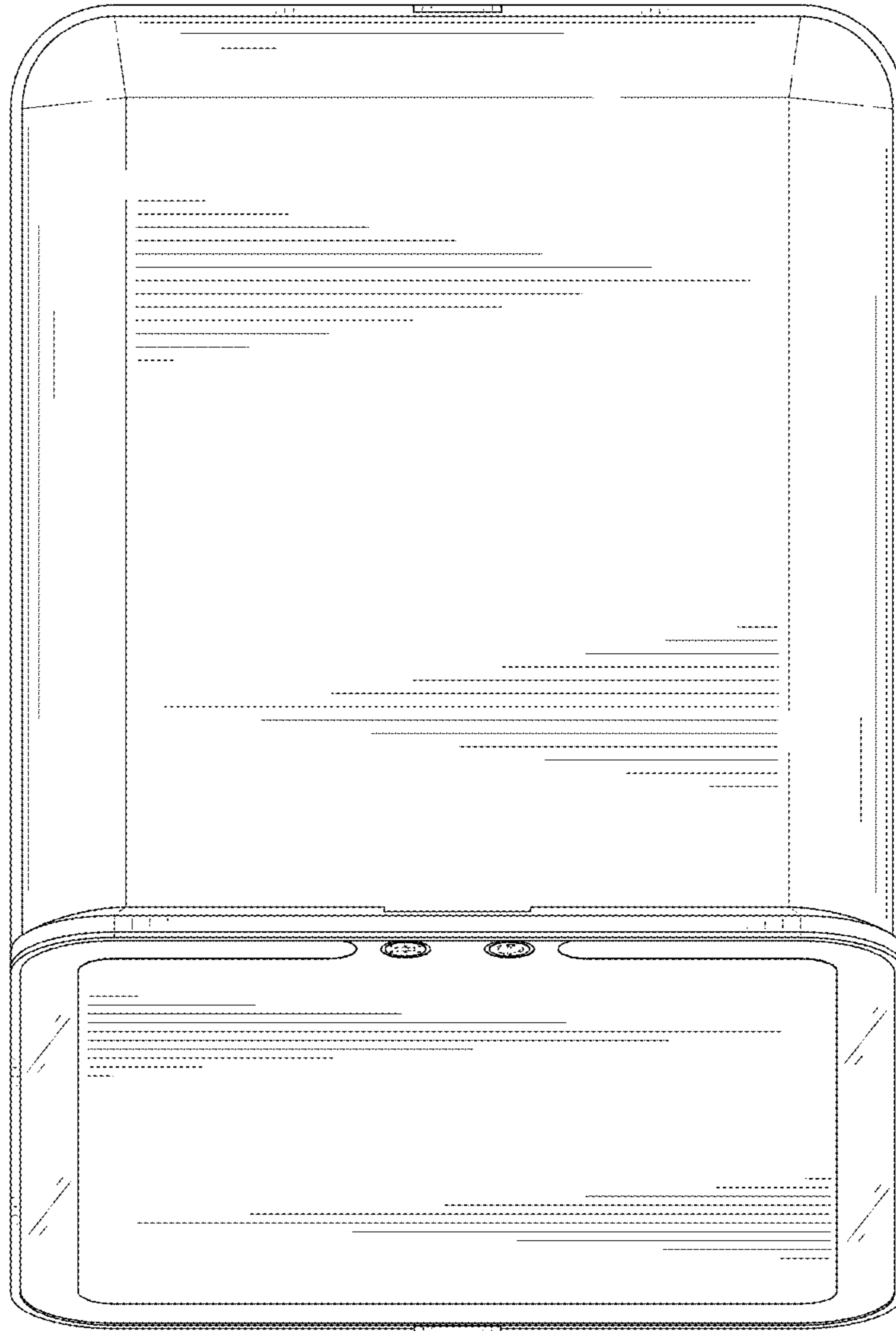


FIG. 7

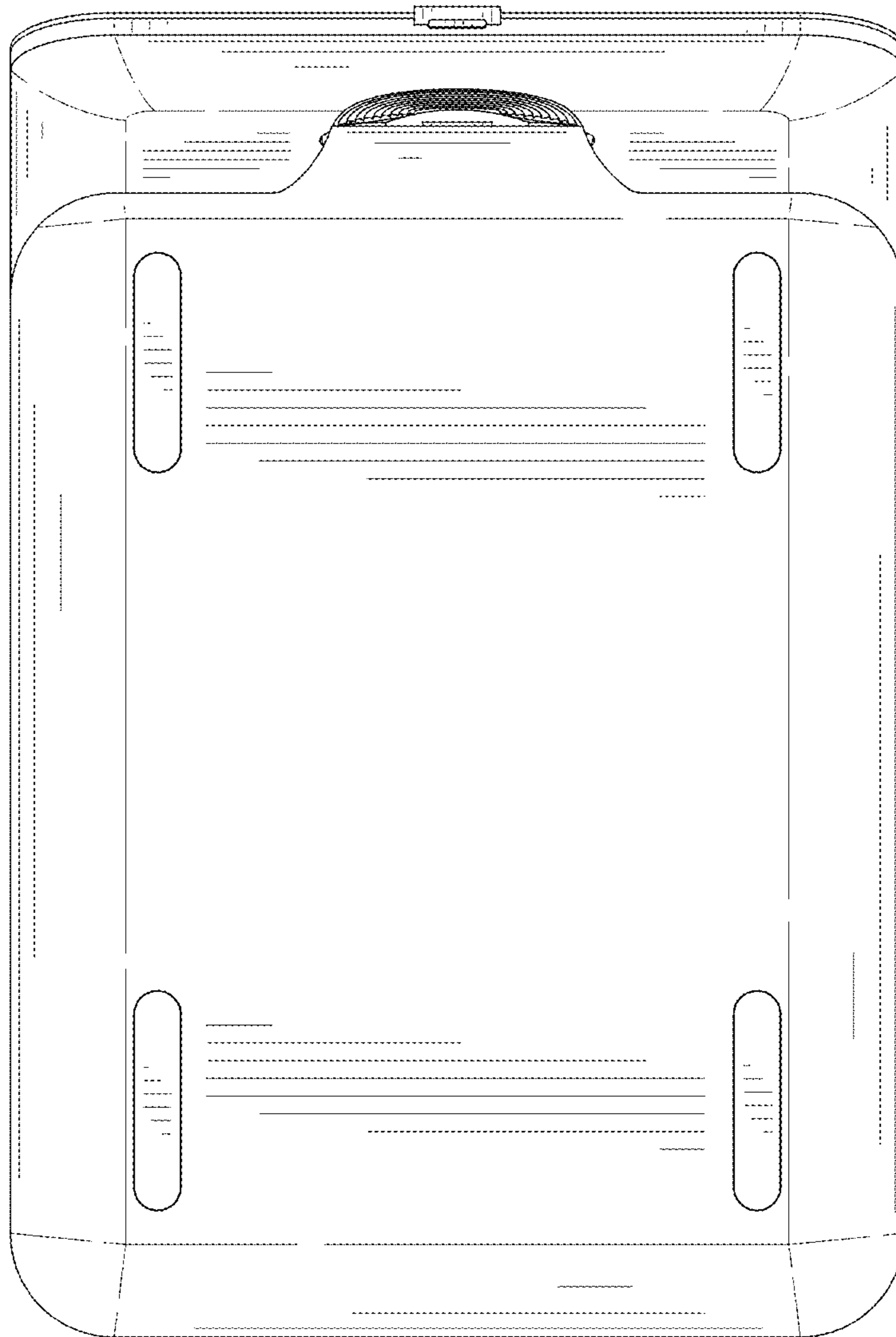


FIG. 8

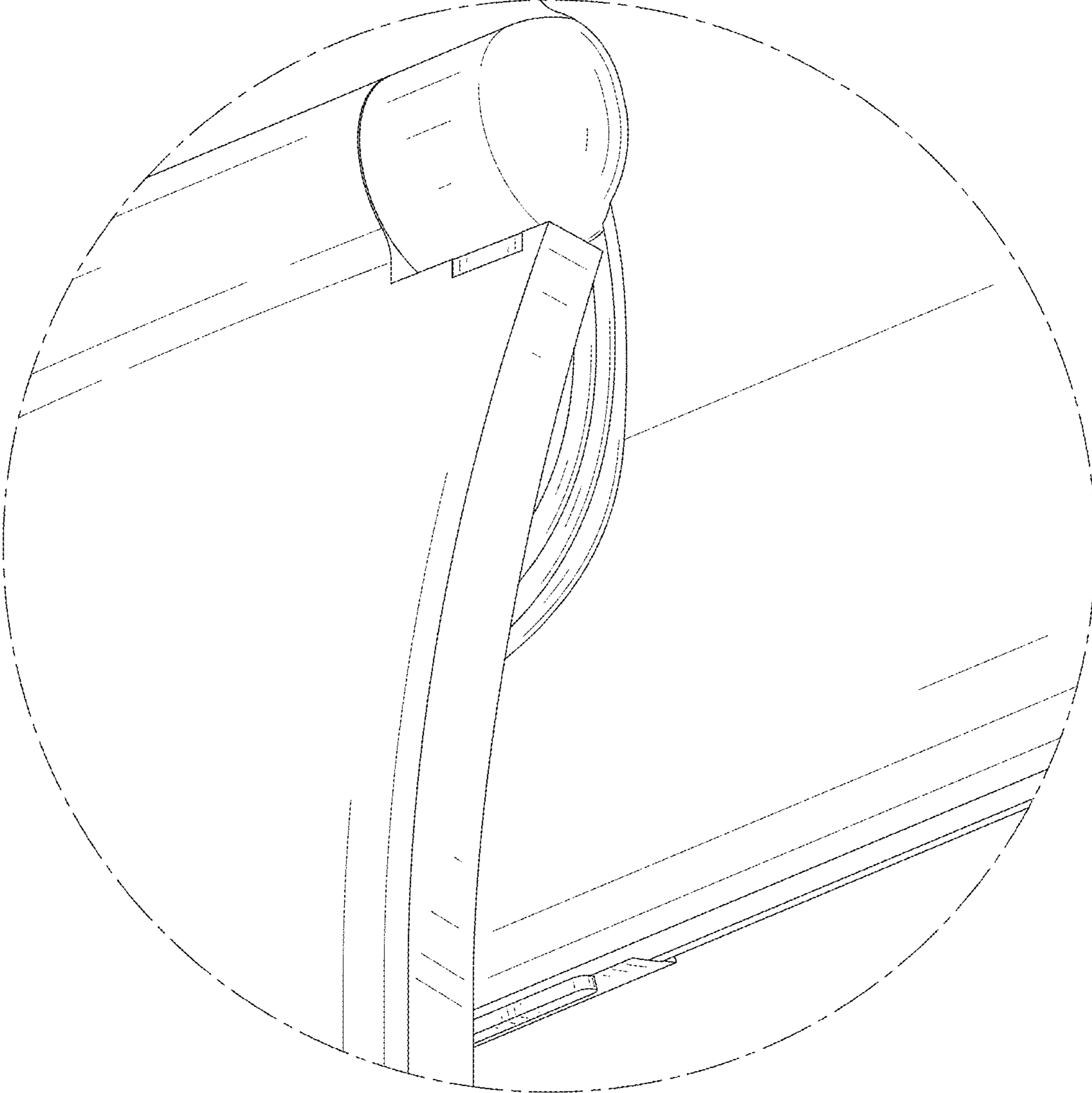


FIG. 9