



US00D985279S

(12) **United States Design Patent** (10) **Patent No.:** **US D985,279 S**
Lambertson, Jr. et al. (45) **Date of Patent:** **** May 9, 2023**

(54) **ROLLER SHIELD DEVICE** 3,933,415 A 1/1976 Woolpert
3,986,226 A 10/1976 Roe et al.
(71) Applicant: **SWIMC LLC**, Cleveland, OH (US) 4,304,025 A 12/1981 Christensen
4,599,762 A 7/1986 Rigter
(72) Inventors: **Michael C. Lambertson, Jr.**, Aurora, OH (US); **Charles T. Buckel, Jr.**, Valley City, OH (US) D288,973 S * 3/1987 Hamazaki D4/122
5,105,500 A 4/1992 Bordogna
5,400,459 A 3/1995 Jarecke
5,444,891 A 8/1995 Benson
5,463,789 A 11/1995 Zilinski
(73) Assignee: **SWIMC LLC**, Cleveland, OH (US) 5,623,740 A 4/1997 Burns
5,769,769 A 6/1998 Torntore
(**) Term: **15 Years** (Continued)

(21) Appl. No.: **29/837,075**
(22) Filed: **May 2, 2022**

FOREIGN PATENT DOCUMENTS

DE 2439065 2/1975
DE 4009044 9/1991

(Continued)

Related U.S. Application Data

(62) Division of application No. 29/728,748, filed on Mar. 20, 2020, now Pat. No. Des. 953,749.
(51) **LOC (14) Cl.** **04-01**
(52) **U.S. Cl.**
USPC **D4/122**
(58) **Field of Classification Search**
USPC D4/100, 102, 116, 117, 118, 121, 122,
D4/127, 128, 130, 131, 132, 133, 134,
D4/138, 199
CPC .. B05C 17/0222; B05C 17/0225; B05C 21/00
See application file for complete search history.

Primary Examiner — Cynthia Ramirez
Assistant Examiner — Tamara L Hahn

(74) *Attorney, Agent, or Firm* — McDonald Hopkins LLC

(57) **CLAIM**

The ornamental design for a roller shield device, as shown and described.

DESCRIPTION

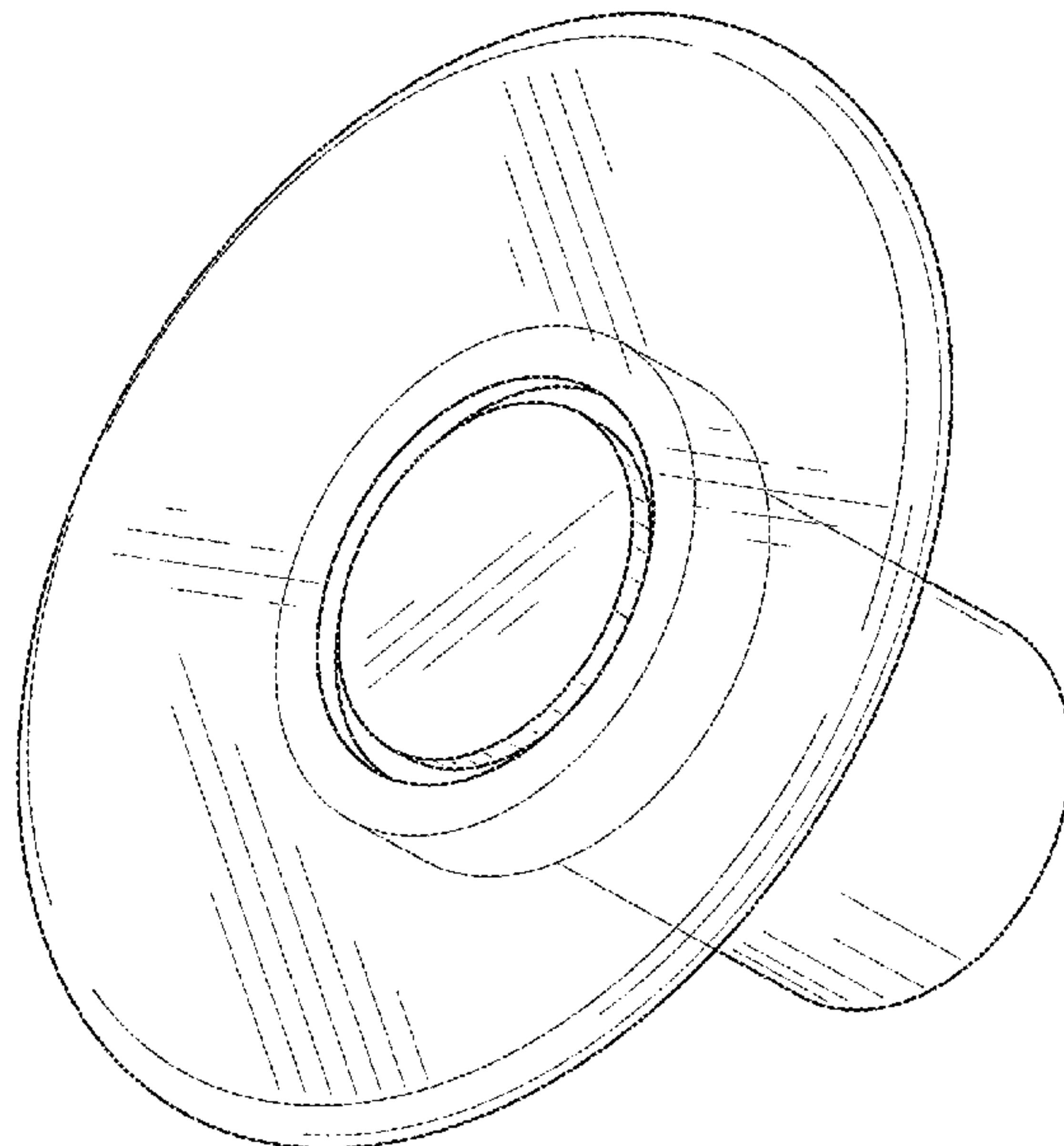
FIG. 1 is a perspective view of an embodiment of a roller shield device showing our new design; FIG. 2 is a first side view thereof; FIG. 3 is a second side view thereof; FIG. 4 is a back side view thereof; FIG. 5 is a front side view thereof; FIG. 6 is a top view thereof; FIG. 7 is a bottom view thereof; and, FIG. 8 is a perspective view of the roller shield device attached to a paint roller assembly. The broken lines in FIG. 8 depict environment that form no part of the claimed design.

(56) **References Cited**

U.S. PATENT DOCUMENTS

2,644,186 A 7/1953 Guimond
2,763,022 A 9/1956 Glacken
2,799,886 A 7/1957 Brunelli
2,836,840 A 6/1958 Pratt
3,204,276 A 9/1965 Kennedy
3,369,269 A 2/1968 Deck
3,623,180 A 11/1971 Anderson
3,685,084 A 8/1972 Bennett
3,886,621 A 6/1975 Welsh

1 Claim, 8 Drawing Sheets



(56)

References Cited

U.S. PATENT DOCUMENTS

D439,416 S 3/2001 Weiss
 D465,090 S 11/2002 Robinson
 6,510,579 B1 1/2003 Gartner
 6,574,824 B2 6/2003 Burns
 6,687,945 B2 2/2004 Robinson
 6,742,212 B2 6/2004 Pyles
 D502,289 S * 2/2005 Longoria D28/20
 6,871,376 B1 3/2005 D'Ambrosio
 6,925,674 B2 8/2005 Prince
 6,957,470 B2 10/2005 Rivadeneira
 D521,245 S 5/2006 Inch
 7,305,732 B2 12/2007 Karroll
 D574,153 S 8/2008 Dehart
 D603,609 S 11/2009 Reed
 D677,901 S 3/2013 Boukair
 D677,903 S 3/2013 Boukair
 D683,546 S 6/2013 Woolfolk
 D694,483 S 11/2013 Hines et al.
 D699,445 S * 2/2014 Pelo D4/122
 8,763,198 B2 * 7/2014 Thal B05C 17/0225
 15/230.11
 8,819,885 B1 9/2014 Boukair
 8,819,886 B1 9/2014 Boukair
 D728,945 S 5/2015 Neal
 D741,604 S 10/2015 Miller et al.
 9,168,563 B1 10/2015 Kalmon et al.
 9,199,266 B2 12/2015 Boukair
 9,205,446 B2 12/2015 Sandahl
 D750,381 S 3/2016 Parker

9,272,304 B1 3/2016 Emery
 9,333,528 B2 5/2016 Decarr
 D773,827 S 12/2016 Typrowicz
 D796,211 S 9/2017 Getchell
 10,035,171 B2 7/2018 Boukair
 D845,000 S 4/2019 Simpson
 D871,078 S 12/2019 Winter
 D921,367 S 6/2021 Buckel et al.
 2002/0194691 A1 12/2002 Meyer
 2006/0080800 A1 4/2006 Sander
 2010/0180817 A1 7/2010 Binyamin
 2013/0205530 A1 8/2013 Dale
 2014/0013530 A1 1/2014 Gallardo
 2014/0249006 A1 9/2014 Gallardo
 2017/0087582 A1 3/2017 Harley
 2018/0029068 A1 * 2/2018 Boukair B05C 17/0225
 2018/0193875 A1 7/2018 Hougi et al.

FOREIGN PATENT DOCUMENTS

DE 4419672 8/1995
 DE 20305209 6/2003
 GB 2420513 10/2006
 GB 6101092 9/2020
 JP S59190378 12/1984
 JP S61111580 7/1986
 JP S6373180 5/1988
 JP S63168075 11/1988
 JP H01128876 9/1989
 WO WO9400245 1/1994
 WO WO1994000245 1/1994

* cited by examiner

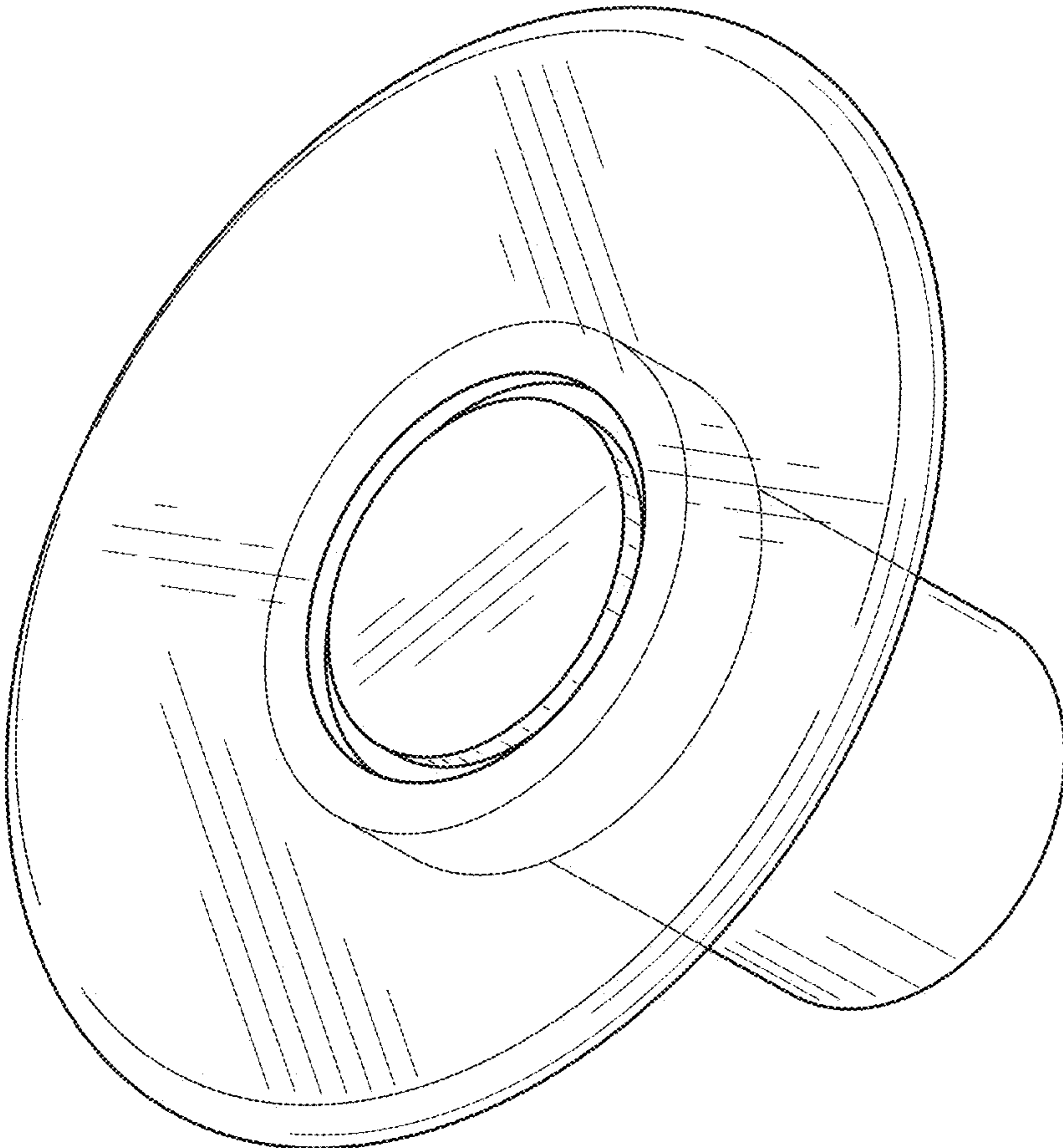


FIG. 1

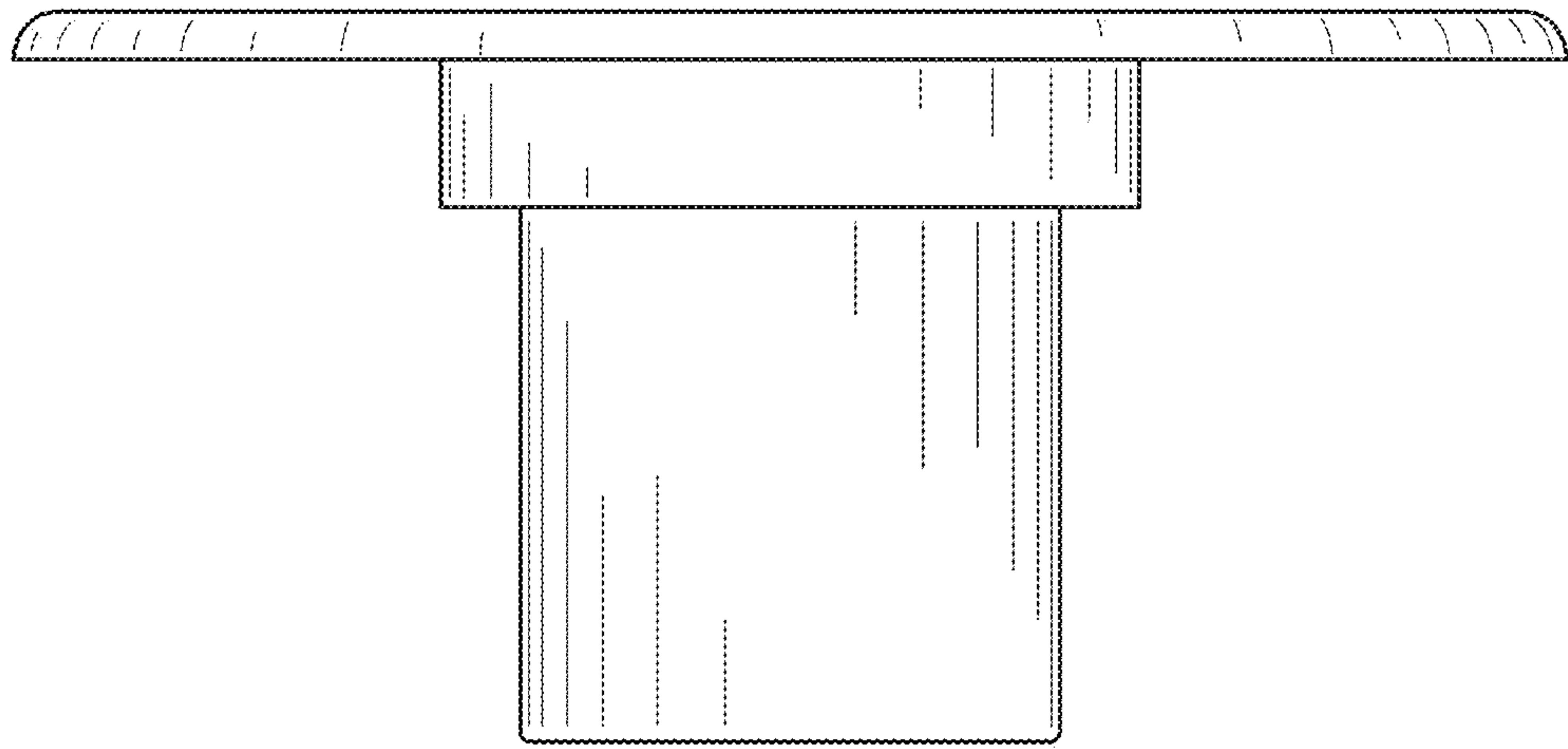


FIG. 2

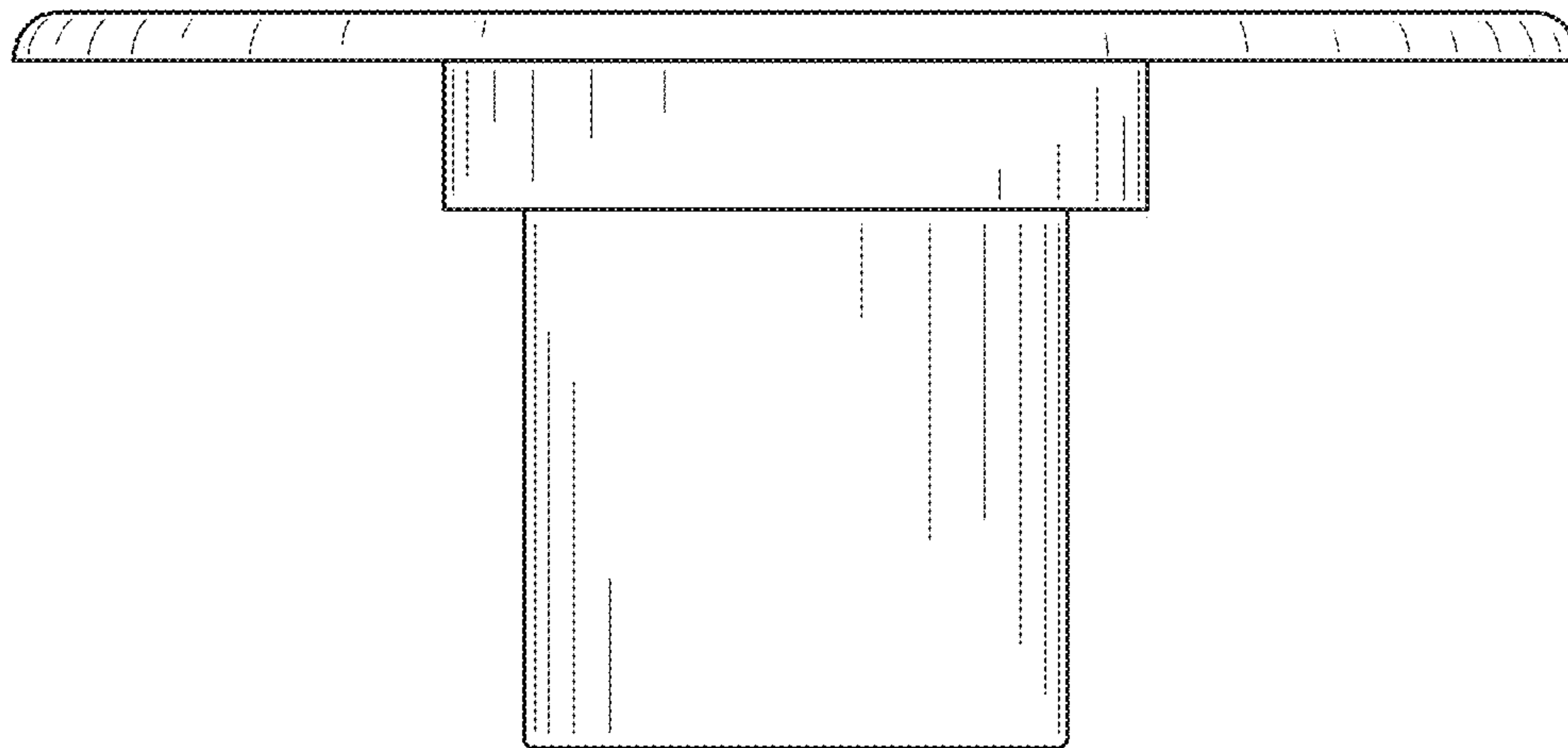


FIG. 3

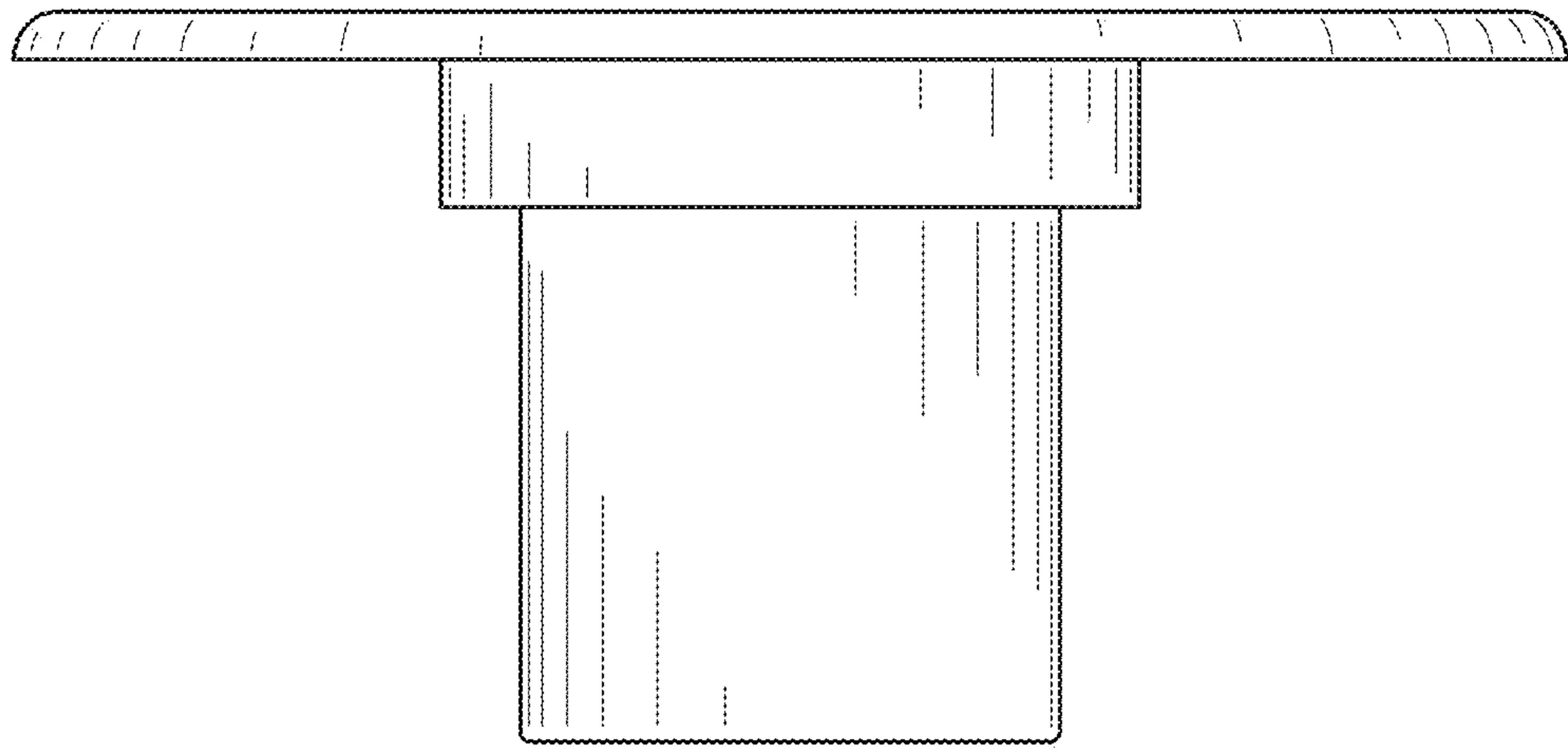


FIG. 4

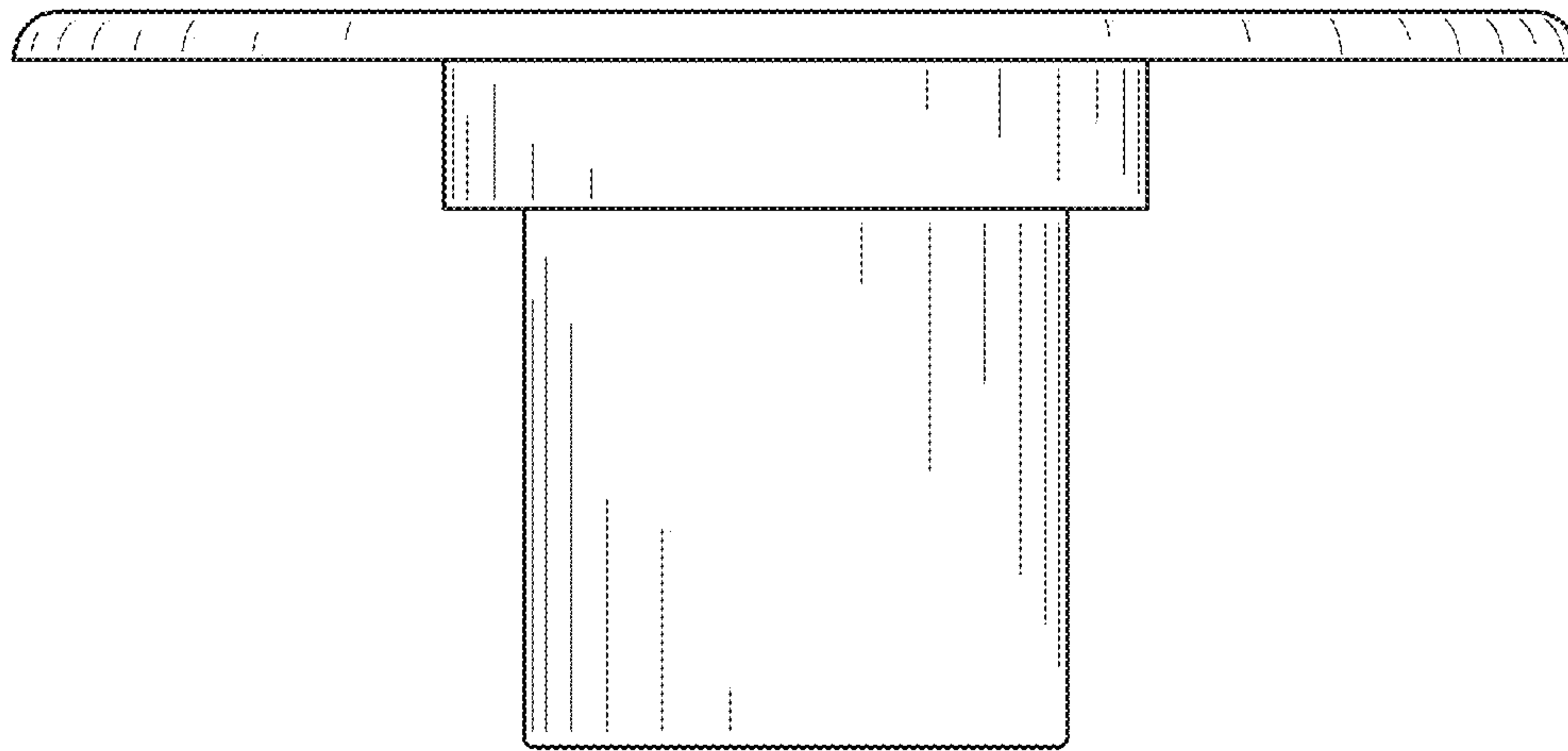


FIG. 5

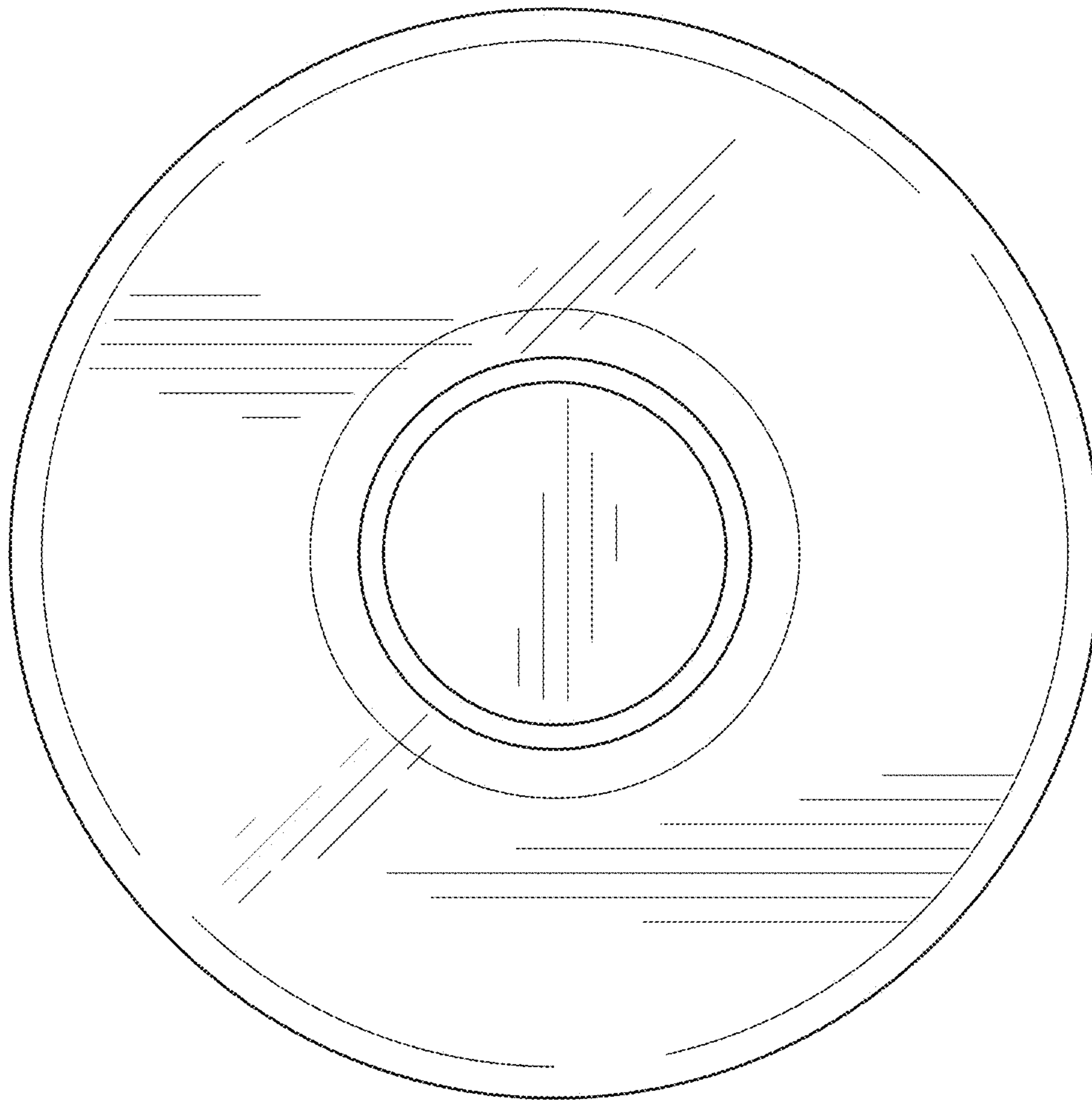


FIG. 6

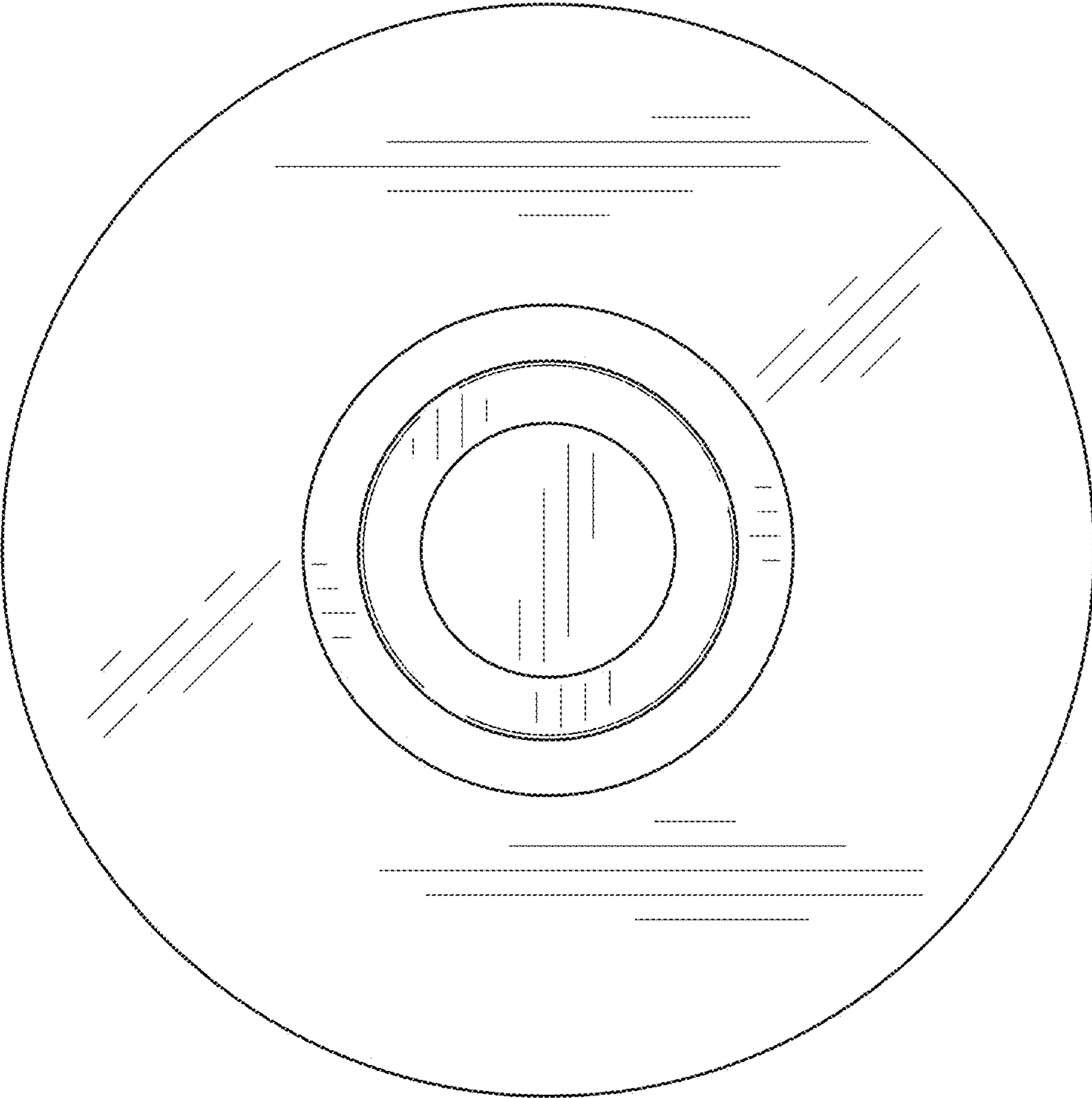


FIG. 7

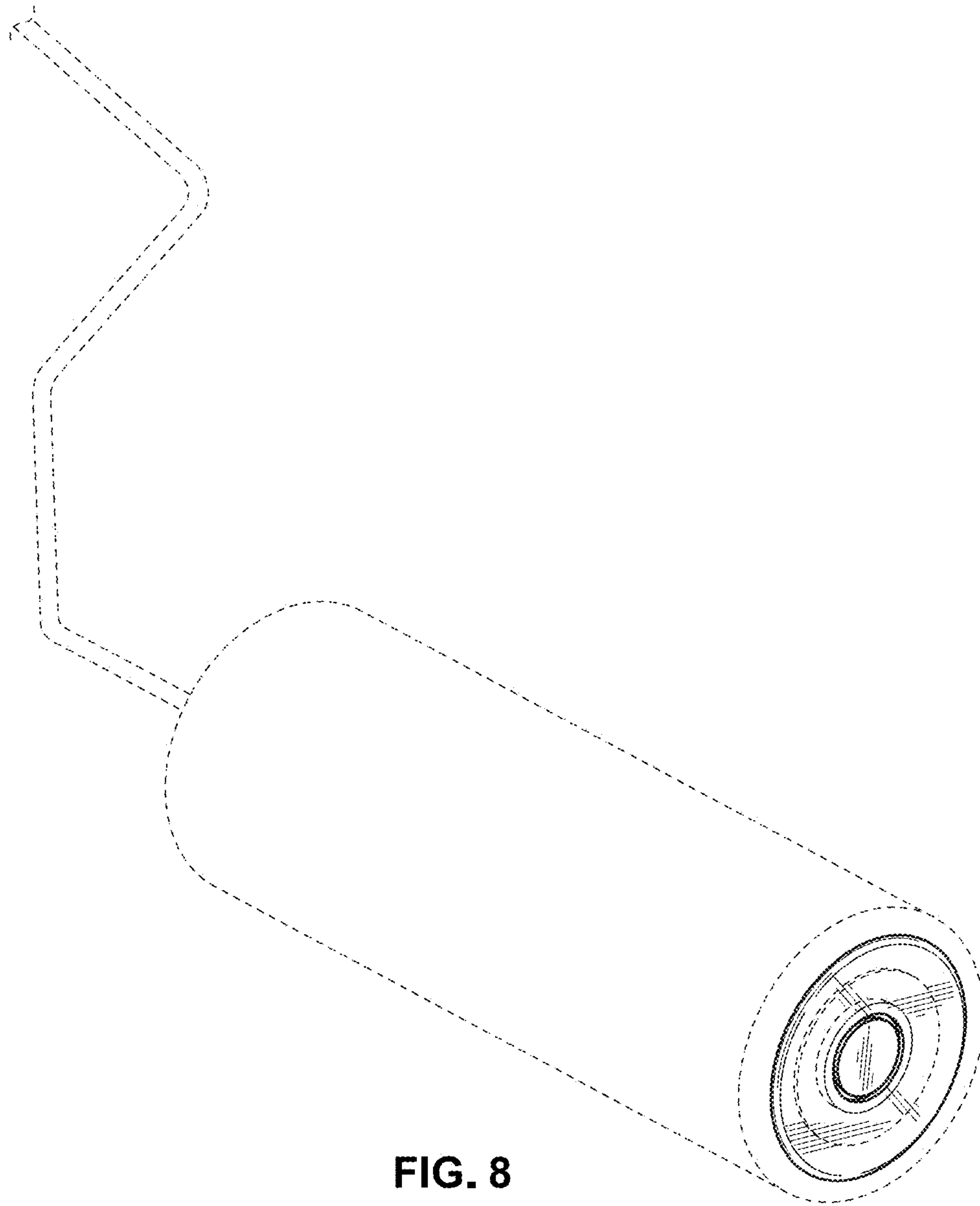


FIG. 8