



US00D985275S

(12) **United States Design Patent** (10) **Patent No.:** **US D985,275 S**
Wang (45) **Date of Patent:** **** May 9, 2023**

- (54) **STORAGE BAG**
- (71) Applicant: **Shenzhen LiYi99.Com, Ltd.**, Shenzhen (CN)
- (72) Inventor: **Xuzhong Wang**, Shenzhen (CN)
- (73) Assignee: **SHENZHEN LIYI99.COM, LTD.**, Shenzhen (CN)
- (**) Term: **15 Years**
- (21) Appl. No.: **29/652,513**
- (22) Filed: **Sep. 8, 2020**
- (51) **LOC (14) Cl.** **03-01**
- (52) **U.S. Cl.**
USPC **D3/301**
- (58) **Field of Classification Search**
USPC D3/201, 232, 227, 273, 276, 289, 291,
D3/300, 301, 303
CPC A45C 3/02
See application file for complete search history.

- D663,117 S * 7/2012 Schiffman B42F 13/40
D3/232
- D694,011 S * 11/2013 Mecchella B42F 13/16
D3/301
- 2007/0297849 A1* 12/2007 Merzon B42F 13/16
206/232

OTHER PUBLICATIONS

Case-It 1.5-Inch 3-Ring Zipper Binder, announced Aug. 27, 2019 [online], [site visited Jun. 11, 2022]. Available from internet, URL: <<https://www.amazon.com/1-5-Inch-3-Ring-Zipper-Removable-LT-207-BK/dp/B07X3XXGR2/>> (Year: 2019).*

* cited by examiner

Primary Examiner — Kevin K Rudzinski
Assistant Examiner — Amber J Rabie
(74) *Attorney, Agent, or Firm* — Marshall, Gerstein & Borun LLP

(57) **CLAIM**

The ornamental design for a storage bag, as shown and described.

DESCRIPTION

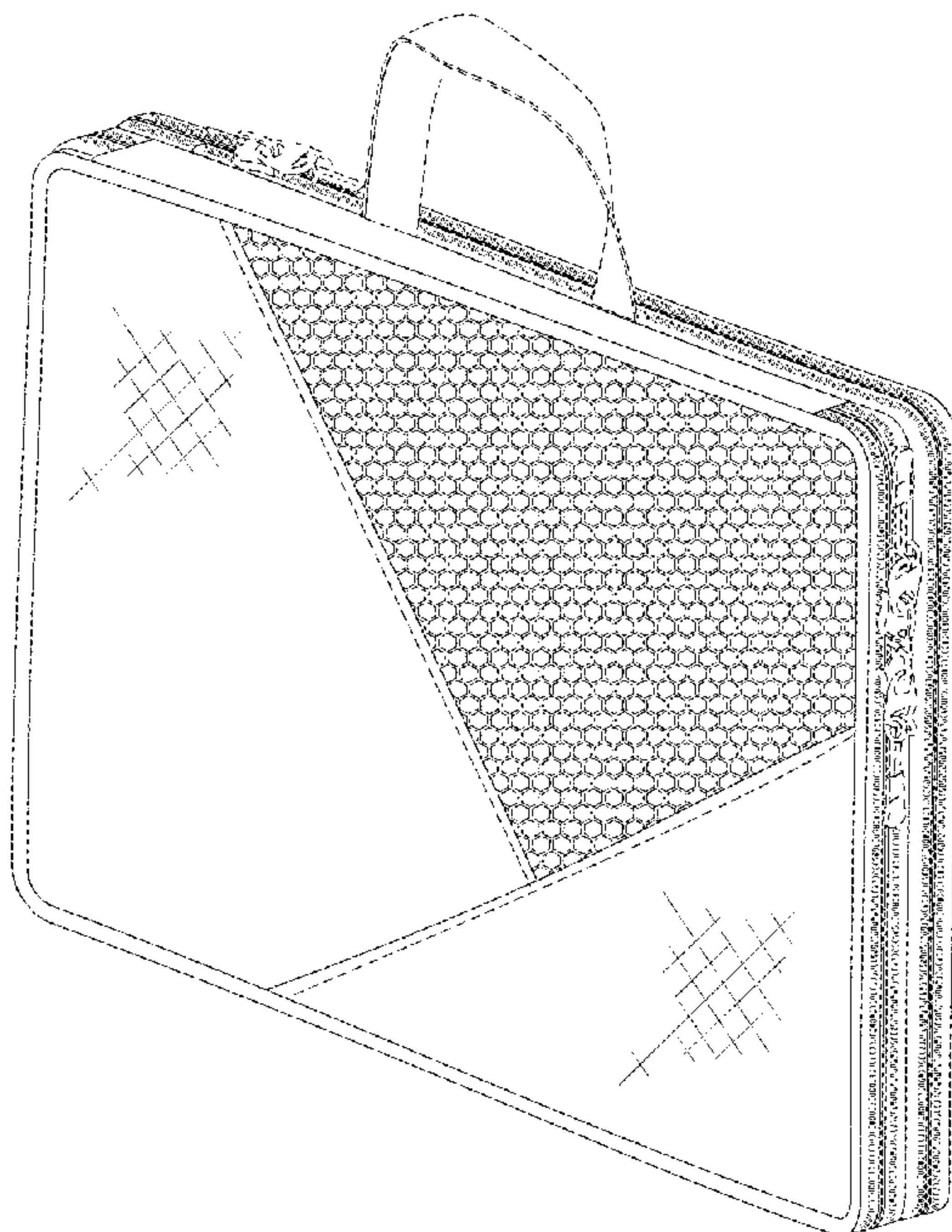
FIG. 1 is a perspective view from the front, top, and left side of the storage bag the new ornamental design;
FIG. 2 is a rear perspective view from the rear, top, and left side of the storage bag of FIG. 1;
FIG. 3 is a front view thereof;
FIG. 4 is a rear view thereof;
FIG. 5 is a left side view thereof;
FIG. 6 is a right side view thereof;
FIG. 7 is a top view thereof; and,
FIG. 8 is a bottom view.
All broken lines in the Figures represent portions of the storage bag that form no part of the claimed design.

(56) **References Cited**

U.S. PATENT DOCUMENTS

- D360,977 S * 8/1995 Katz D3/276
- D382,166 S * 8/1997 Alves B42D 3/04
D6/633
- D481,074 S * 10/2003 Shapiro D19/90
- D486,516 S * 2/2004 Hendee B42D 3/04
D19/86
- 6,837,346 B2 * 1/2005 Hollingsworth A45C 3/02
150/112
- D557,740 S * 12/2007 Bharna D19/26
- 7,704,006 B2 * 4/2010 Merzon B42F 13/40
402/73

1 Claim, 8 Drawing Sheets



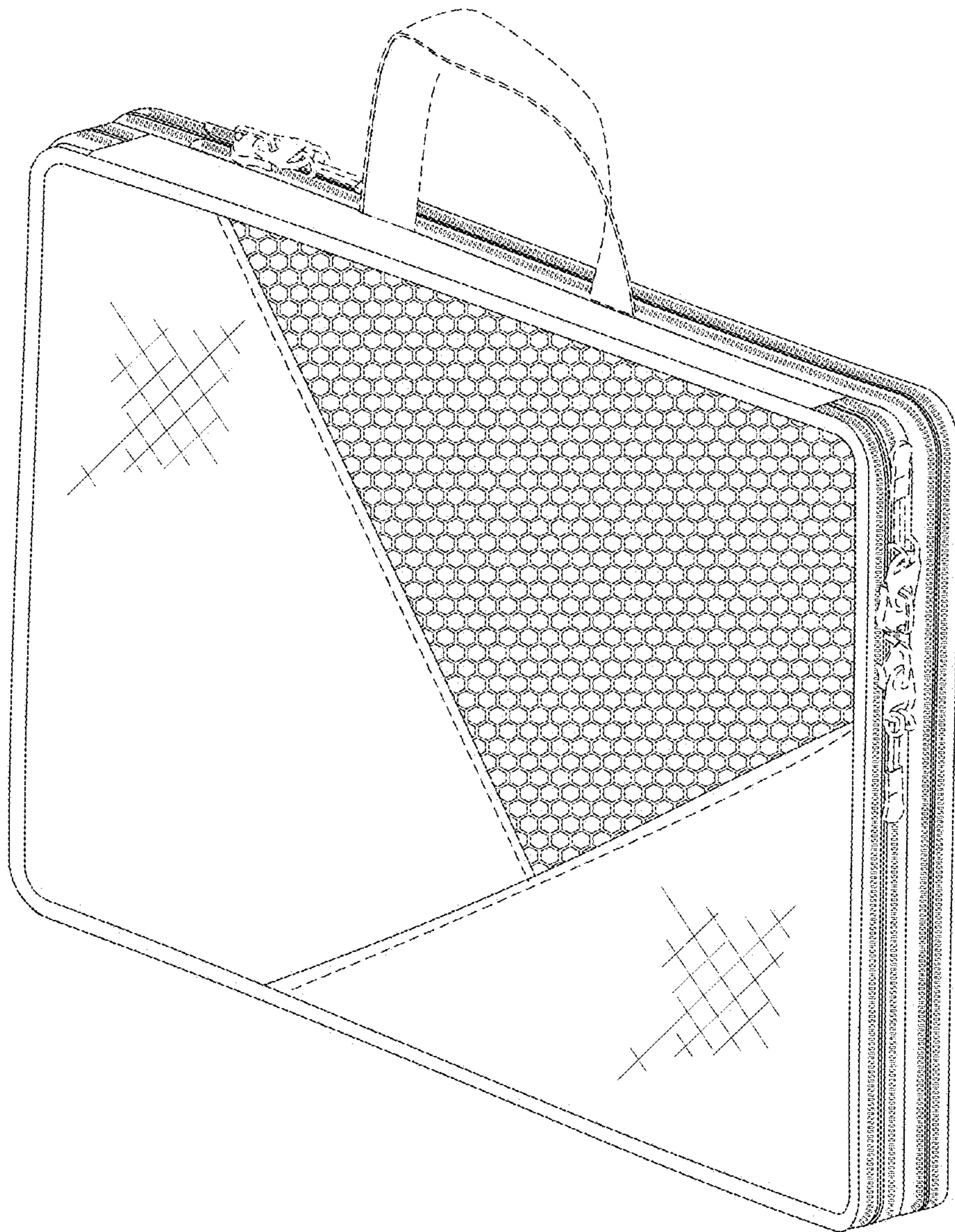


FIG 1

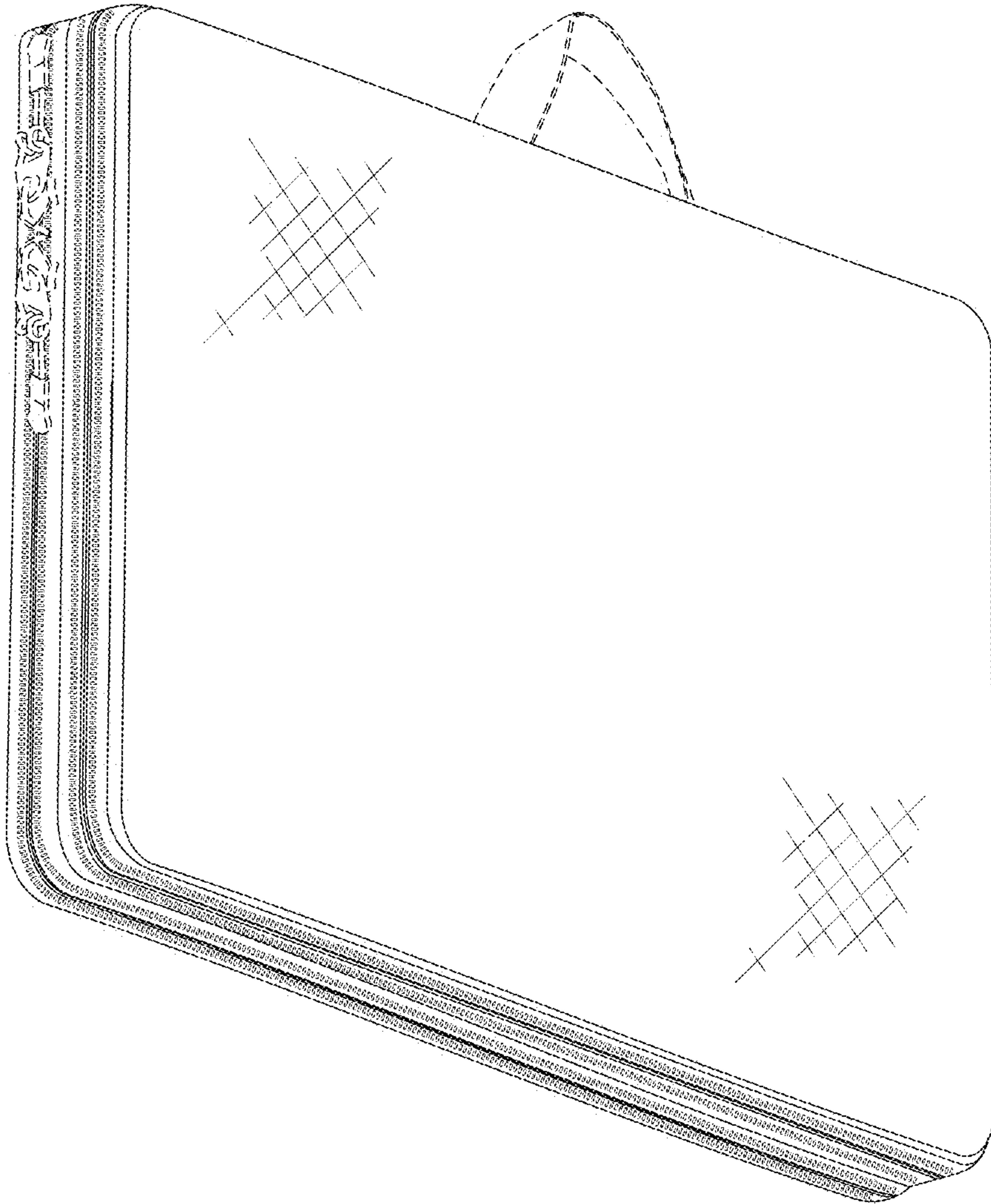


FIG 2

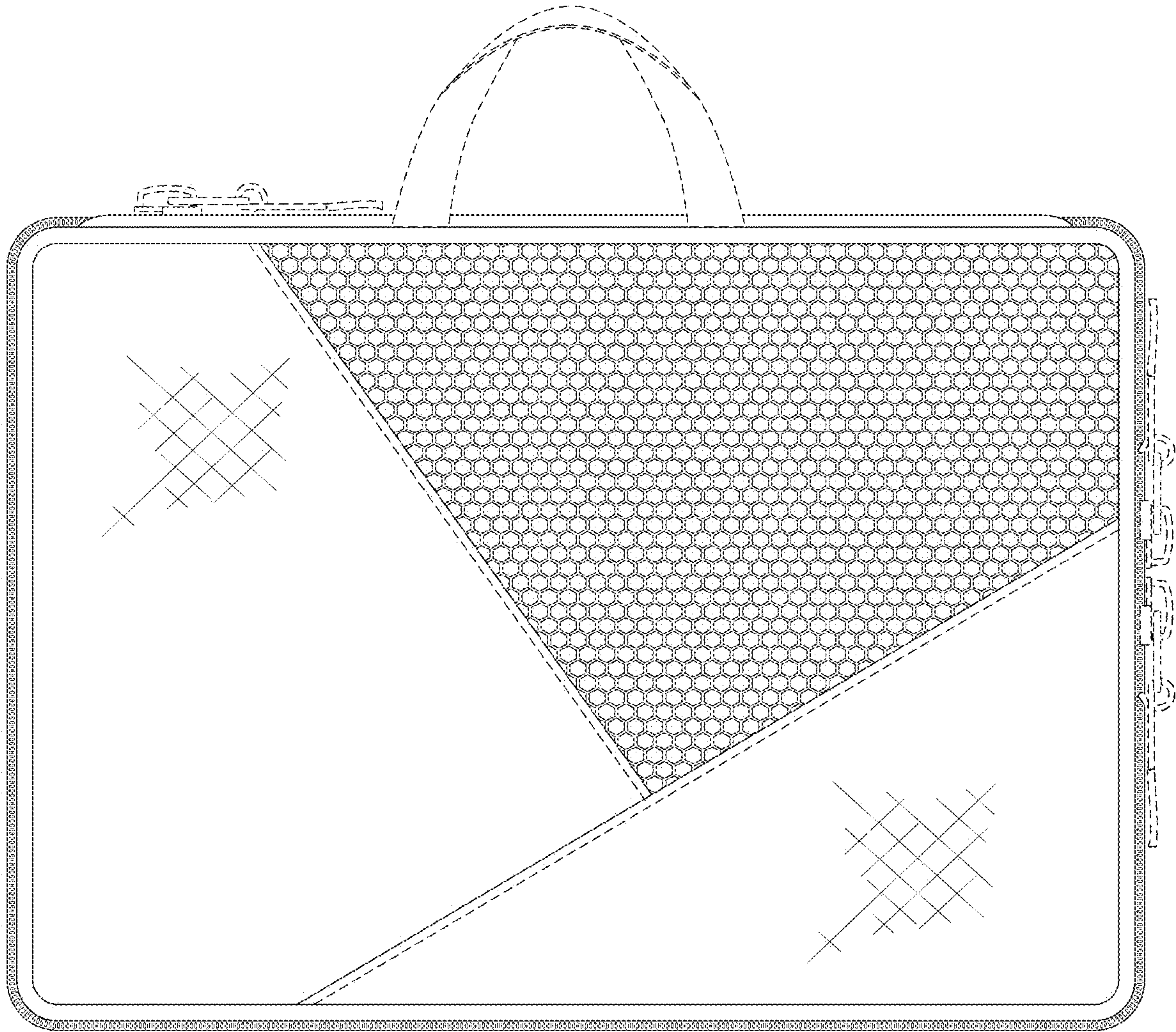


FIG 3

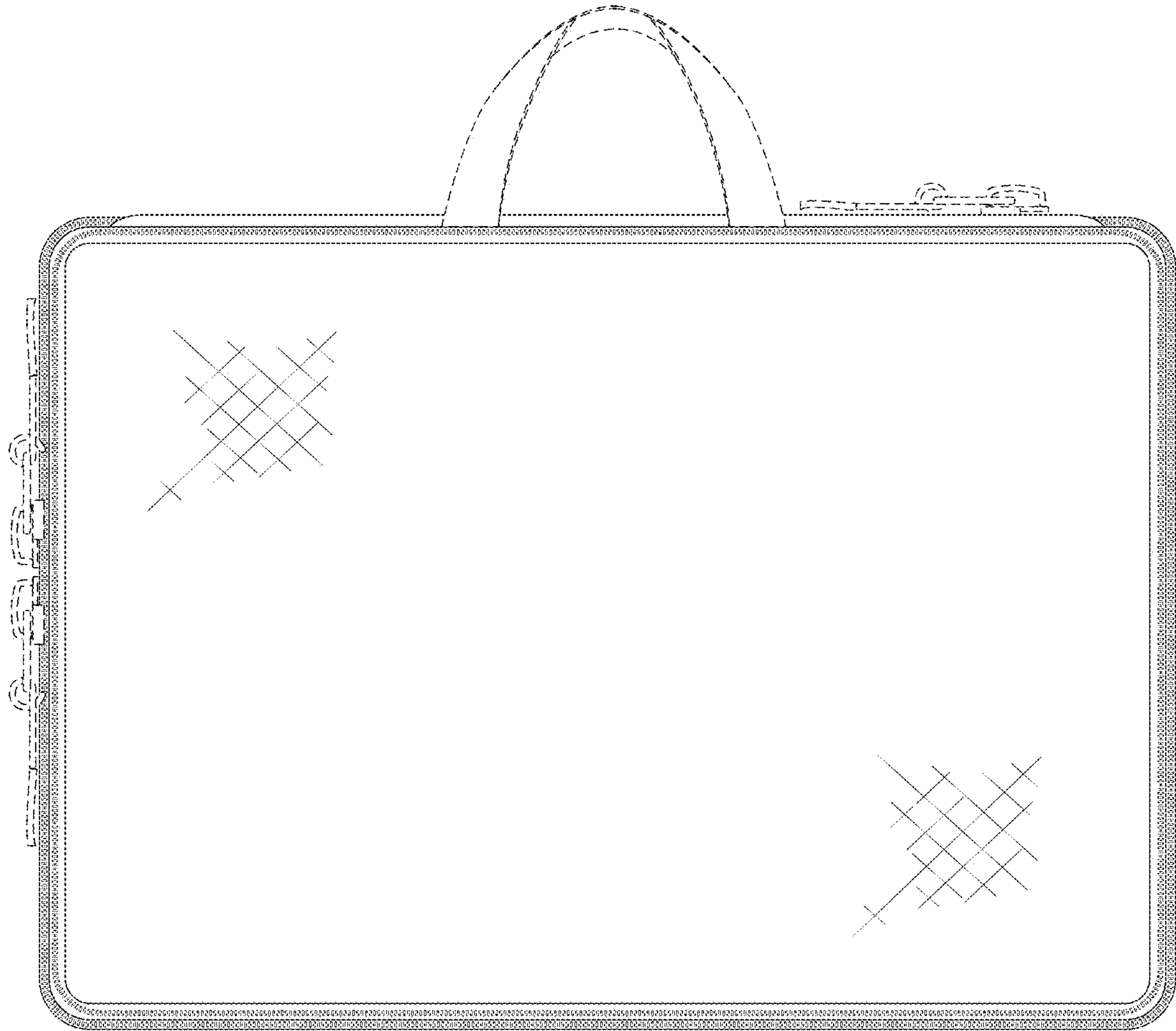


FIG 4

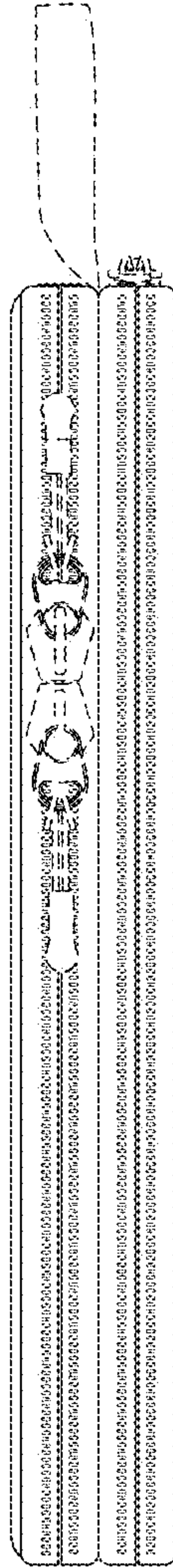


FIG 5

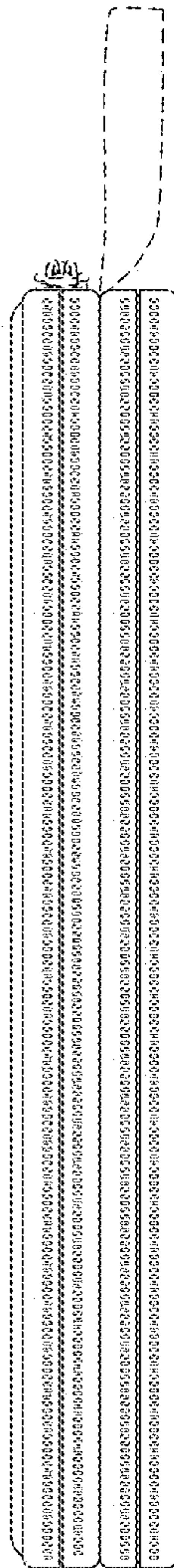


FIG 6

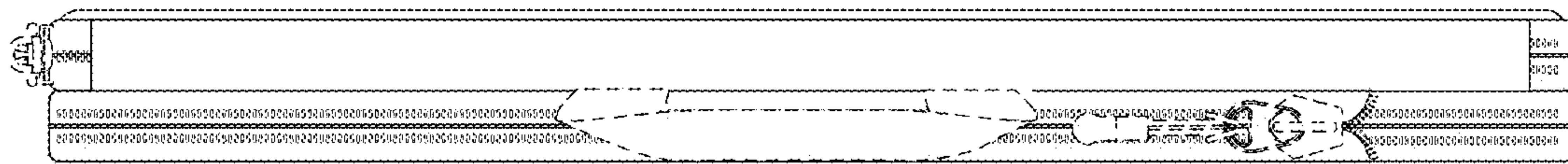


FIG 7

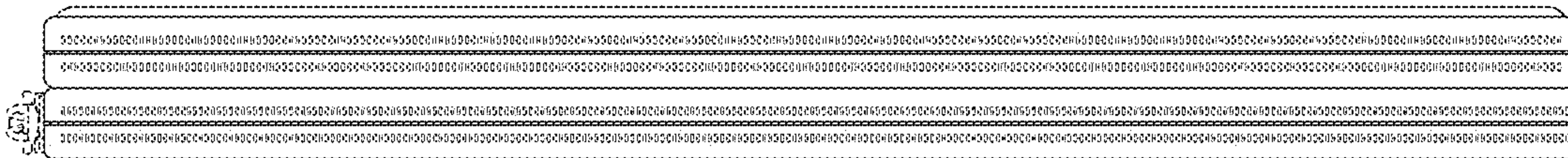


FIG 8