



US00D985274S

(12) **United States Design Patent**
Zhang

(10) **Patent No.:** **US D985,274 S**

(45) **Date of Patent:** **** May 9, 2023**

- (54) **BOX**
- (71) Applicant: **Guangzhou Yanxi Cosmetics Co., Ltd.**, Guangzhou (CN)
- (72) Inventor: **Chu Zhang**, Guangzhou (CN)
- (73) Assignee: **Guangzhou Yanxi Cosmetics Co., Ltd.**, Guangzhou (CN)
- (**) Term: **15 Years**
- (21) Appl. No.: **29/884,676**
- (22) Filed: **Feb. 15, 2023**
- (51) **LOC (14) Cl.** **03-01**
- (52) **U.S. Cl.**
USPC **D3/295; D3/203.3**
- (58) **Field of Classification Search**
USPC D3/201, 203.1, 203.2, 203.3, 203.4,
D3/203.6, 205, 273, 283, 294, 295;
D9/757, 759
CPC B65D 1/34; B65D 83/04; B65D 83/0409;
B65D 83/0445; B65D 2501/24; B65D
2583/04; B65D 2583/0418; A61J 1/03;
A61J 7/0084; A61J 7/02; A61J 7/04
See application file for complete search history.

(56) **References Cited**

U.S. PATENT DOCUMENTS

- D246,508 S * 11/1977 Nudell D3/203.3
- D307,354 S * 4/1990 Knotter D3/294
- D337,725 S * 7/1993 Bunin D9/416
- D358,546 S * 5/1995 Walchek, Jr. D3/203.3
- D358,762 S * 5/1995 Walchek, Jr. D3/203.3
- D363,509 S * 10/1995 Parekh D19/83
- D365,892 S * 1/1996 Markham D3/901
- D373,901 S * 9/1996 Bergstedt D3/905
- D441,192 S * 5/2001 Park D3/901
- D443,762 S * 6/2001 Park D28/61

- D460,690 S * 7/2002 Doerschlag D9/423
- D475,853 S * 6/2003 Chen D3/905
- D549,053 S * 8/2007 Dellaferrera D7/629
- D560,487 S * 1/2008 Boettcher D3/294
- D570,095 S * 6/2008 Ullersted D3/203.2
- D583,152 S * 12/2008 Keeney D3/319
- D587,005 S * 2/2009 Gardner D3/203.3
- D593,316 S * 6/2009 Ruwiel D3/203.2
- D617,987 S * 6/2010 Wang D3/905
- D640,058 S * 6/2011 Molina D3/294
- D696,009 S * 12/2013 Priebe D3/203.3
- D788,926 S * 6/2017 Parlante D24/176
- D799,202 S * 10/2017 Rolfs D3/203.1
- D806,389 S * 1/2018 Muhlenkamp, IV D3/295
- D820,690 S 6/2018 Canuto
- D824,253 S * 7/2018 Mayer D9/432
- D828,012 S * 9/2018 Suess D3/203.3
- D840,146 S * 2/2019 Hauss D3/203.3
- D861,324 S * 10/2019 Egge D3/203.2
- D861,343 S * 10/2019 Denham D3/294
- D887,703 S * 6/2020 Charm D3/203.3
- D889,118 S * 7/2020 Lee D3/203.2
- D911,020 S * 2/2021 Lee D3/203.2
- D915,071 S * 4/2021 Gu D3/295

(Continued)

Primary Examiner — Steven J Czyz

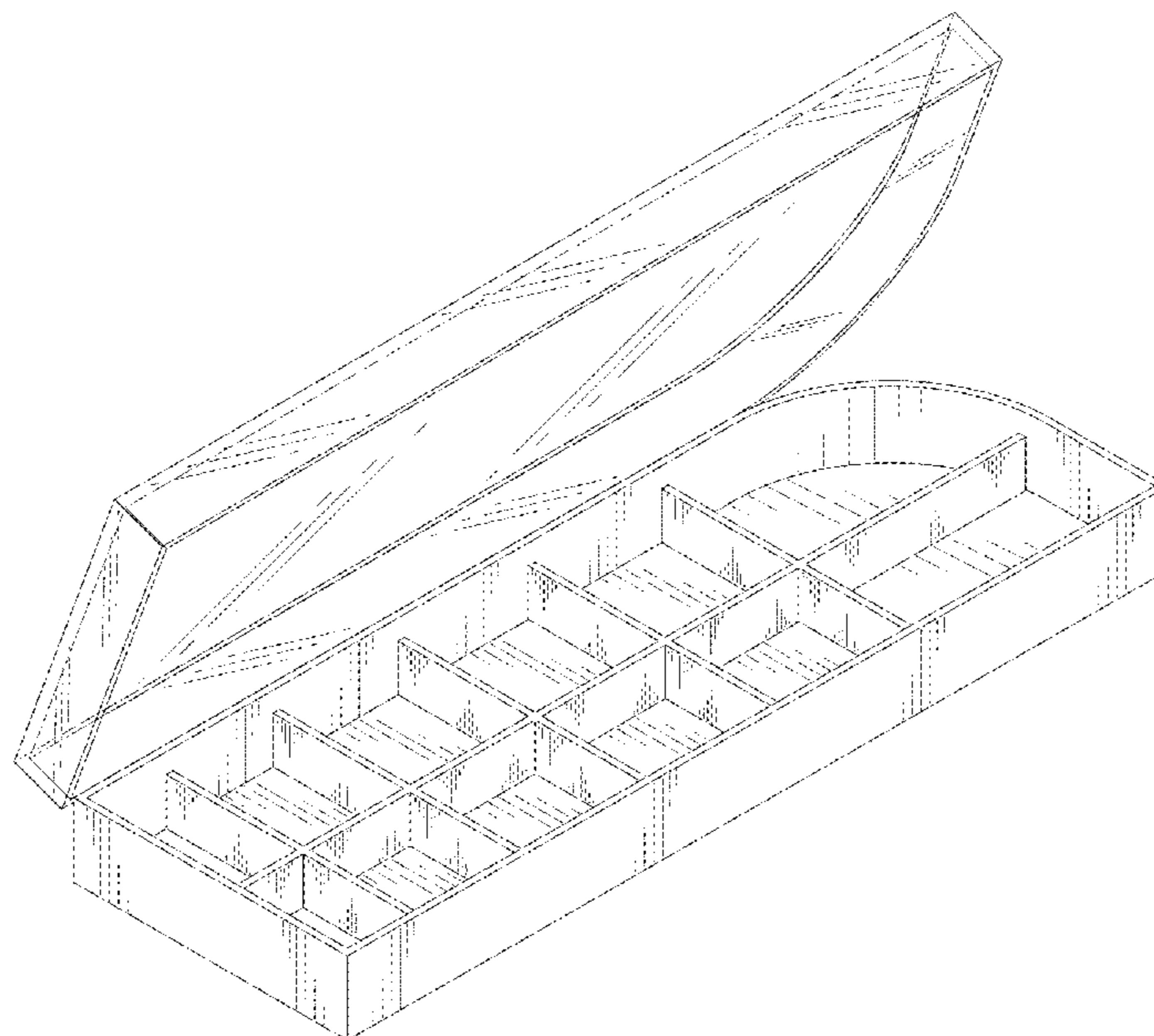
(57) **CLAIM**

The ornamental design for a box, as shown and described.

DESCRIPTION

FIG. 1 is a top perspective view of a box, showing my new design;
 FIG. 2 is a front view thereof;
 FIG. 3 is a rear view thereof;
 FIG. 4 is a left side view thereof;
 FIG. 5 is a right side view thereof;
 FIG. 6 is a top view thereof;
 FIG. 7 is a bottom view thereof; and,
 FIG. 8 is a closed state view thereof.

1 Claim, 8 Drawing Sheets



(56)

References Cited

U.S. PATENT DOCUMENTS

D931,206 S * 9/2021 Briggs D3/294
D933,353 S * 10/2021 Chen D3/203.3
D945,146 S * 3/2022 Qian D3/203.2
D959,832 S * 8/2022 Li D3/295
D966,694 S * 10/2022 Chen D3/203.2
D966,697 S * 10/2022 Chen D3/203.2
D974,025 S * 1/2023 Chen A45D 44/18
D3/203.3
D977,821 S * 2/2023 Chen D3/203.3
D980,620 S * 3/2023 Chen D3/203.3
2015/0208788 A1 * 7/2015 Dass A45D 44/18
132/308
2020/0323330 A1 * 10/2020 Patel A45C 11/008

* cited by examiner

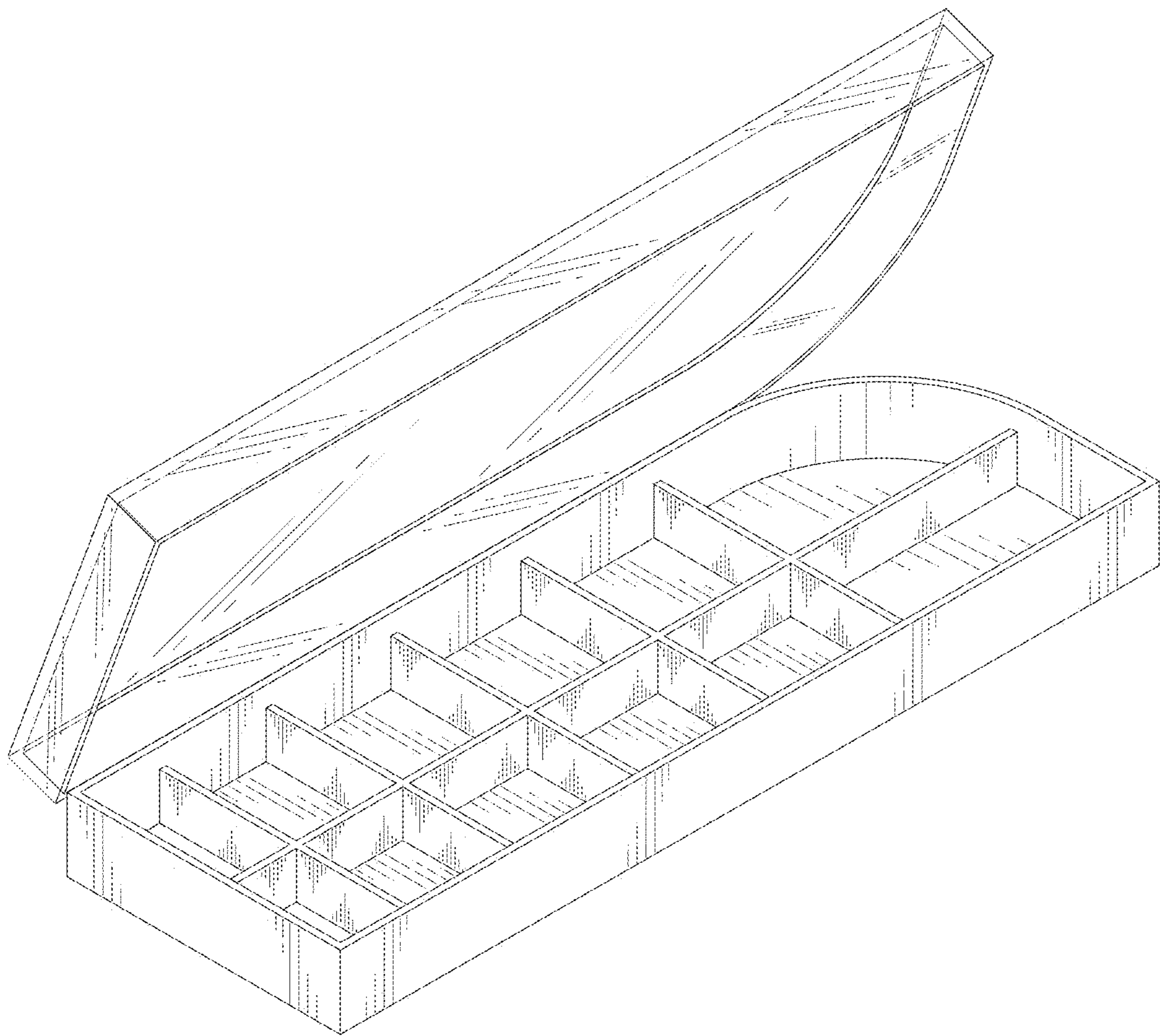


FIG. 1

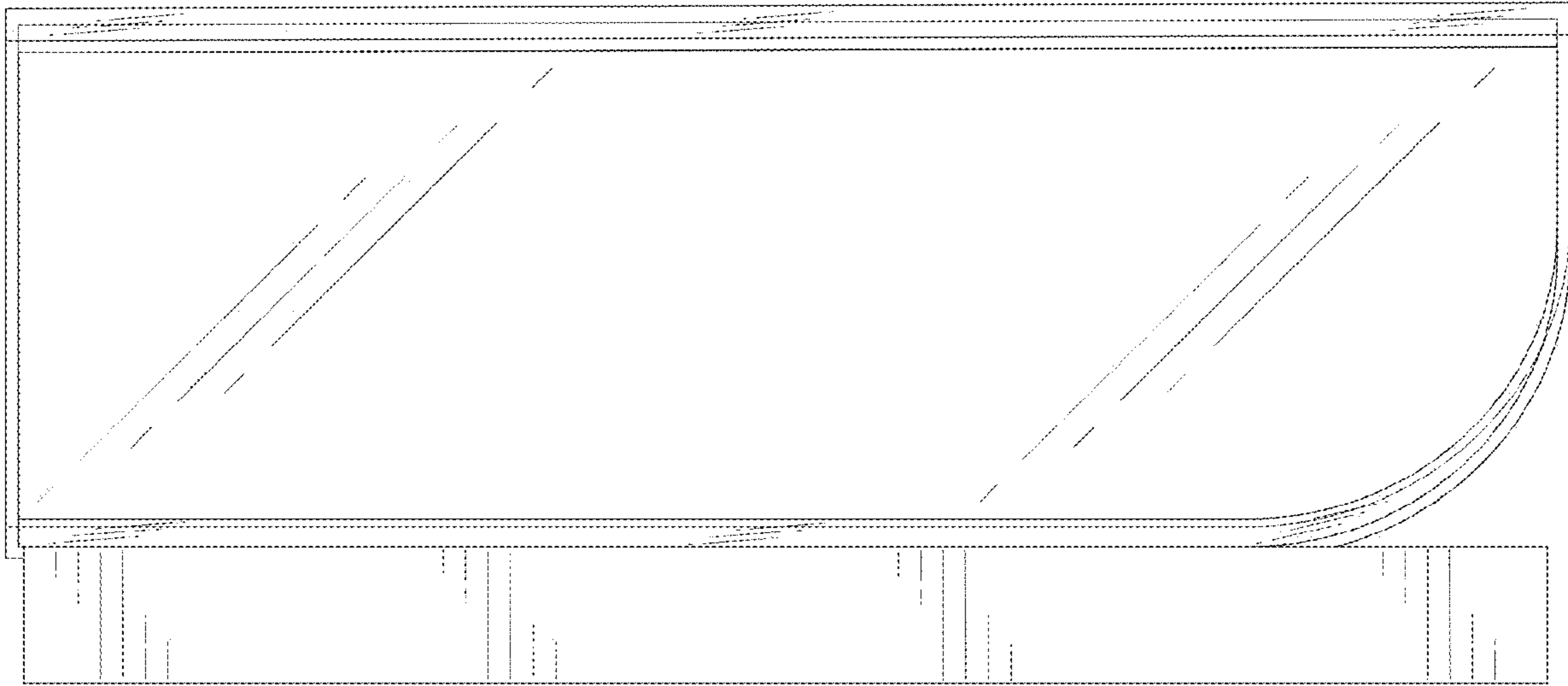


FIG. 2

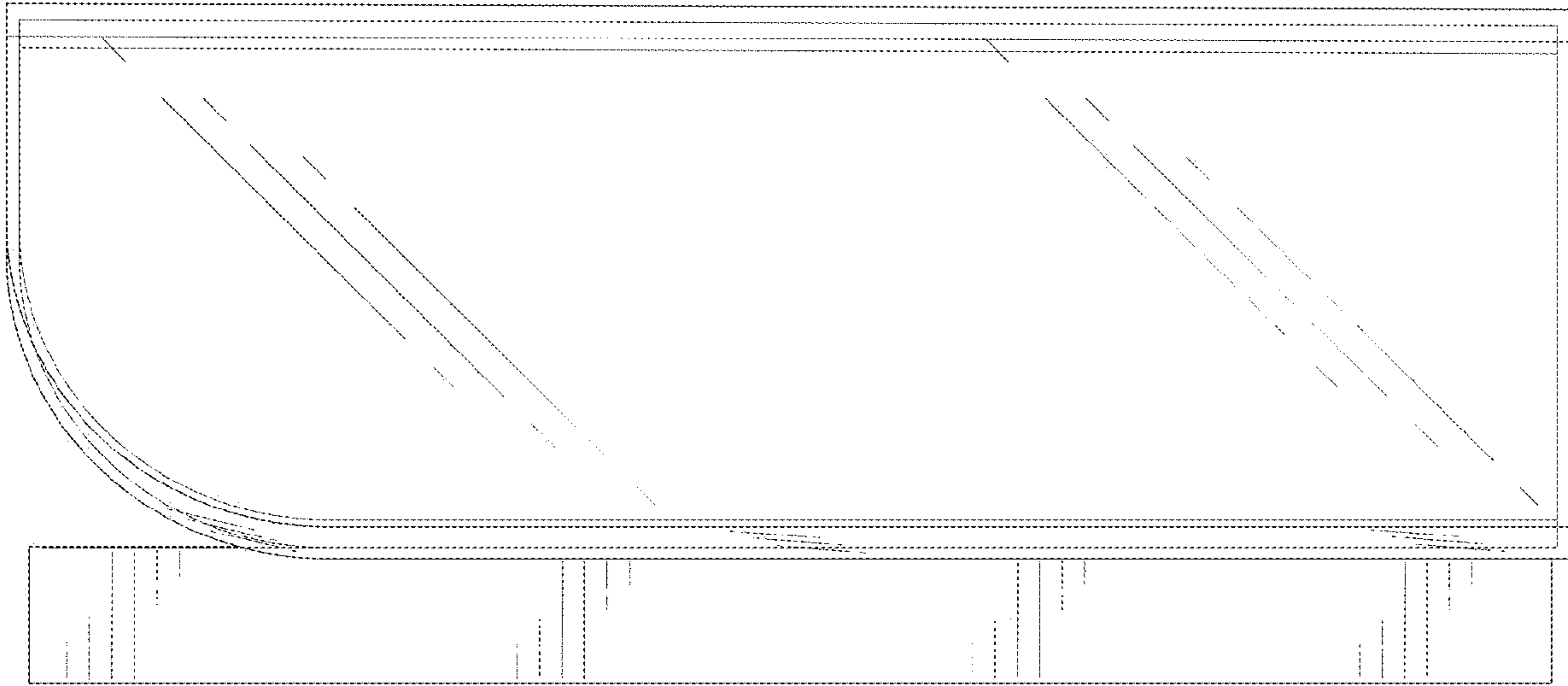


FIG. 3

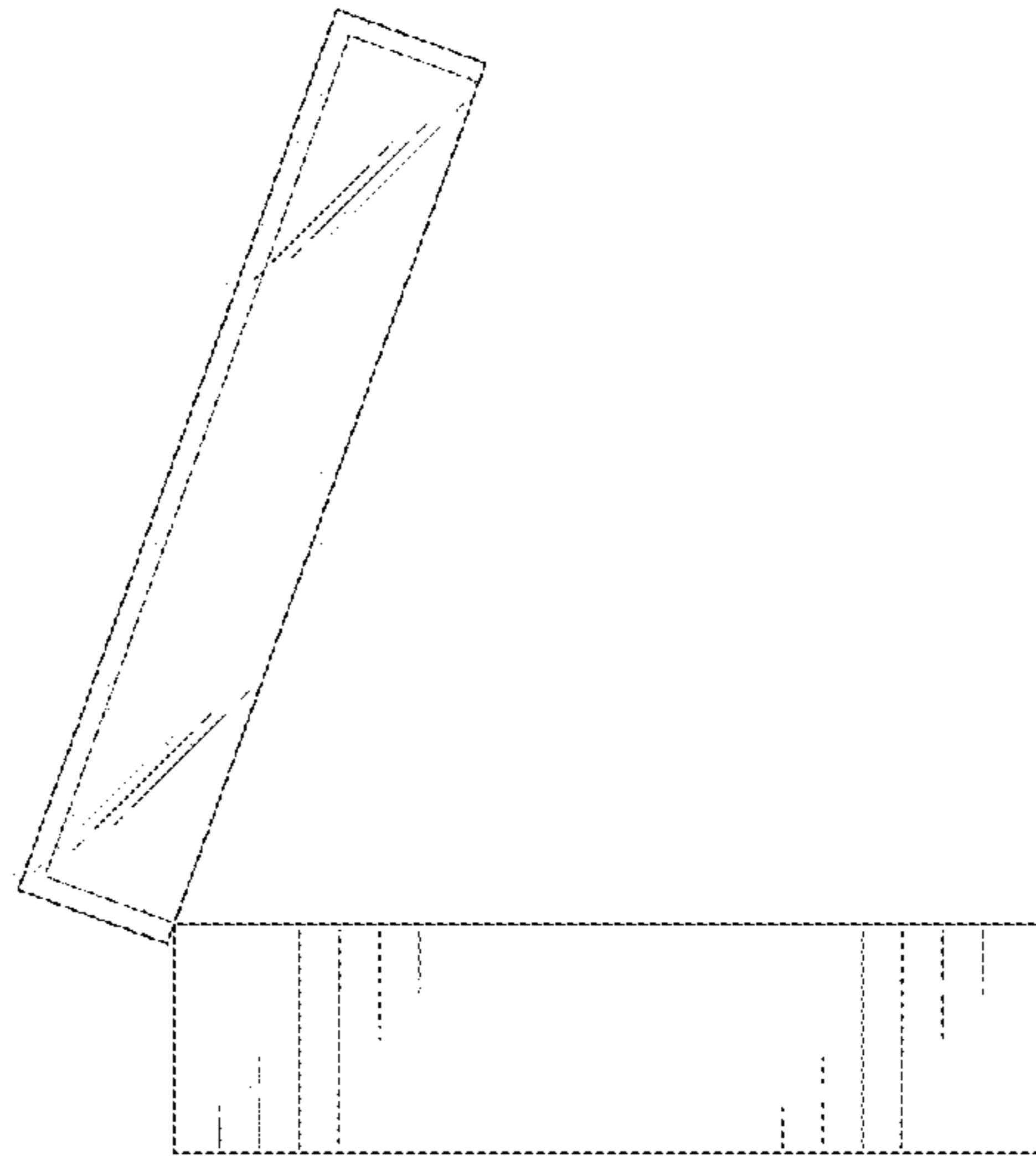


FIG. 4

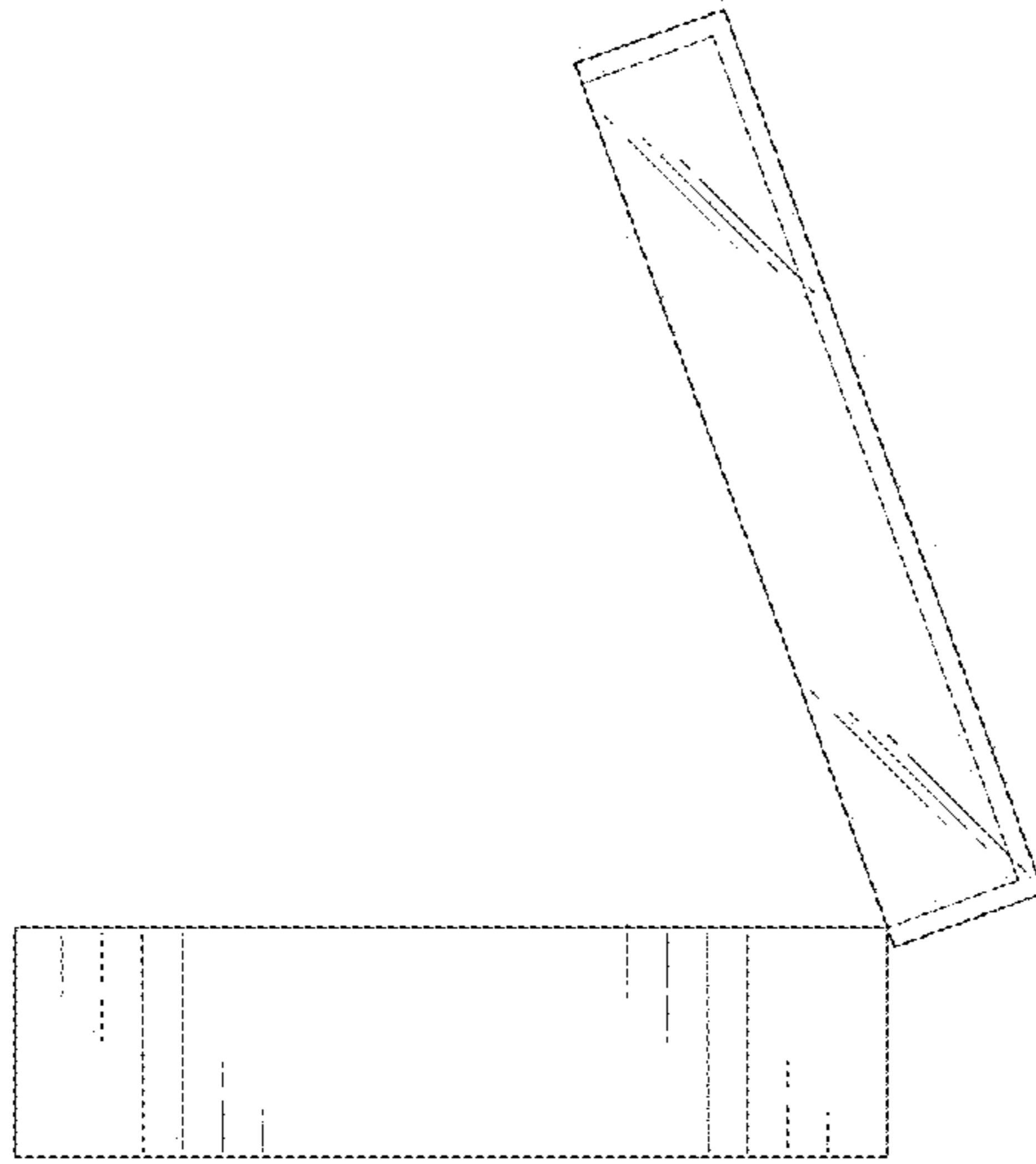


FIG. 5

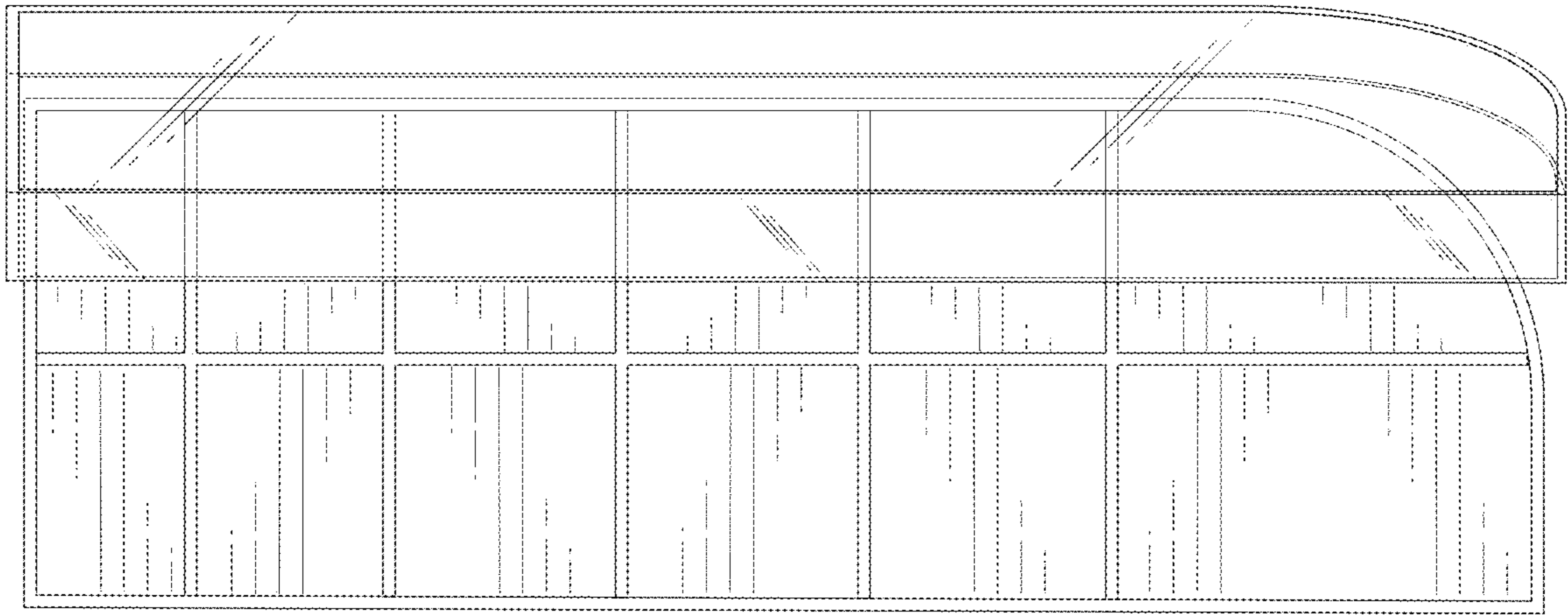


FIG. 6

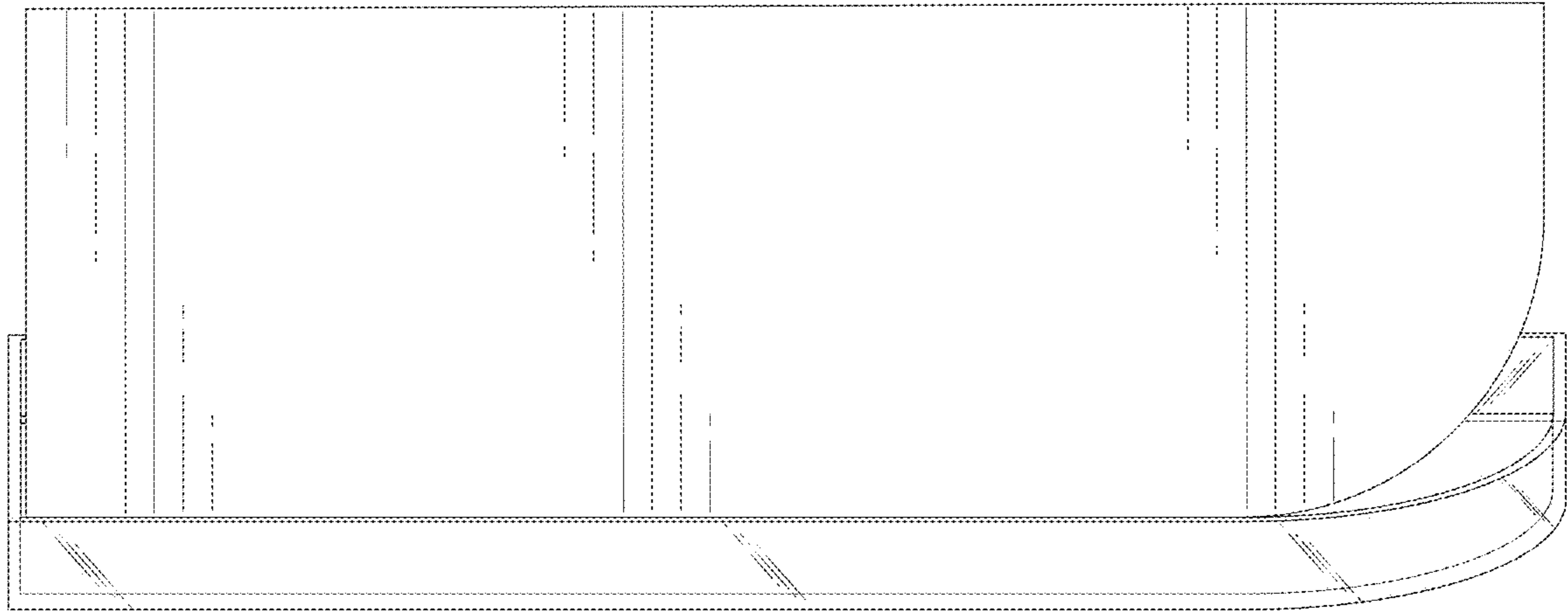


FIG. 7

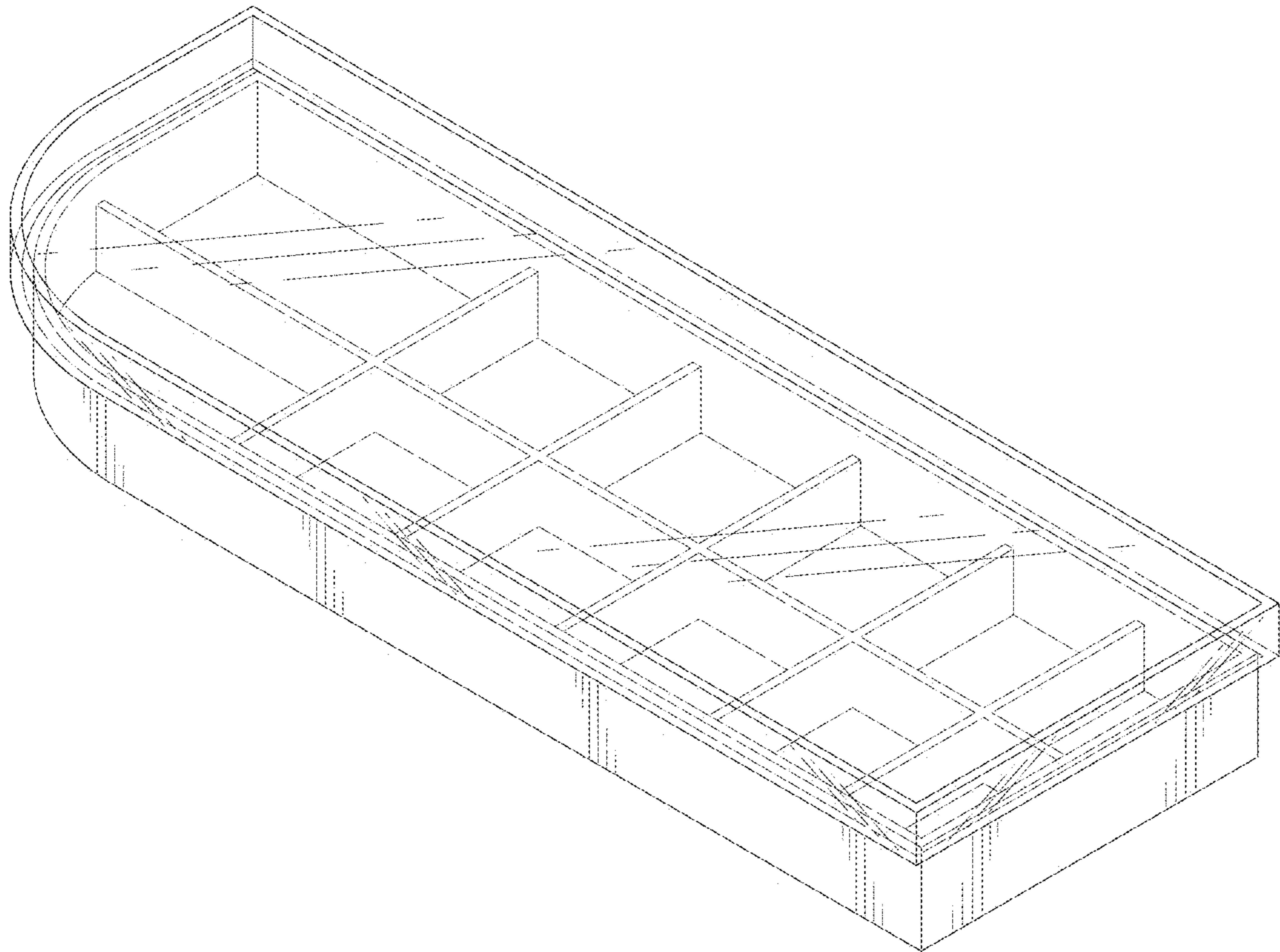


FIG. 8