



US00D985273S

(12) **United States Design Patent** (10) **Patent No.:** **US D985,273 S**
Jiang (45) **Date of Patent:** **** May 9, 2023**

(54) **CASE FOR TOOLS**
(71) Applicant: **ZHEJIANG PROTEC HARDWARE CO. LTD.**, Zhejiang (CN)
(72) Inventor: **Jiajun Jiang**, Zhejiang (CN)
(73) Assignee: **ZHEJIANG PROTEC HARDWARE CO. LTD.**, Zhejiang (CN)

6,953,114 B2 * 10/2005 Wang B25H 3/003
206/375
D518,603 S * 4/2006 Dittmer D28/83
D569,103 S * 5/2008 Hoge D3/273
D595,455 S * 6/2009 Nagasaki D28/83
7,931,143 B1 * 4/2011 Lin B25H 3/021
220/629
D691,801 S * 10/2013 Lin D3/905
(Continued)

(**) Term: **15 Years**
(21) Appl. No.: **29/748,280**
(22) Filed: **Aug. 28, 2020**
(30) **Foreign Application Priority Data**

May 27, 2020 (CN) 202030254098.X

(51) **LOC (14) Cl.** **03-01**
(52) **U.S. Cl.**
USPC **D3/294**
(58) **Field of Classification Search**
USPC D3/201, 207, 212, 273, 274, 294, 295,
D3/296, 297, 298
CPC B25H 3/003
See application file for complete search history.

(56) **References Cited**

U.S. PATENT DOCUMENTS

D202,250 S * 9/1965 Hauser D6/406.3
D268,380 S * 3/1983 Thiele D6/633
D276,794 S * 12/1984 Urion B25H 3/02
D9/420
D316,763 S * 5/1991 Ferrari B25H 3/021
D28/83
D341,987 S * 12/1993 Erickson B25H 3/003
D7/323
D364,485 S * 11/1995 Gavin B65D 81/05
D28/78
D371,962 S * 7/1996 Petruzzi D9/423
D474,340 S * 5/2003 Vasudeva D3/276

OTHER PUBLICATIONS

Yottamaster 5-Pack 3.5" Hard Drive Case, announced Dec. 26, 2017 [online], [site visited Jul. 1, 2022]. Available from internet, URL: <<https://www.amazon.com/5-Pack-Yottamaster-Portable-External-Drive/dp/B06XYMX1C6>> (Year: 2017).*
(Continued)

Primary Examiner — Kevin K Rudzinski
Assistant Examiner — Amber J Rabie
(74) *Attorney, Agent, or Firm* — JCIP Global Inc.

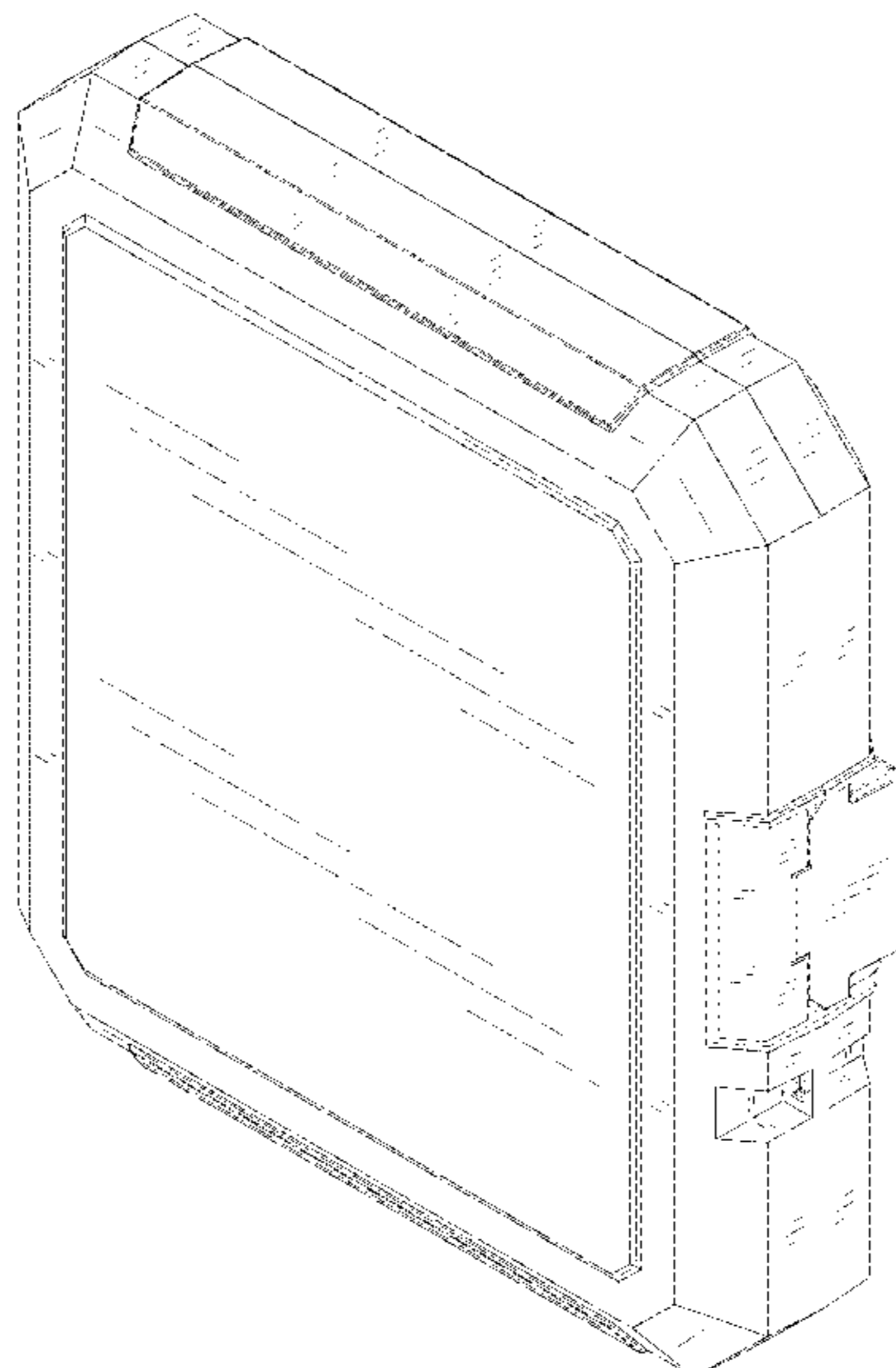
(57) **CLAIM**

The ornamental design for a case for tools, as shown and described.

DESCRIPTION

FIG. 1 is a perspective view of a case for tools showing my new design;
FIG. 2 is another perspective view thereof;
FIG. 3 is a front view thereof;
FIG. 4 is a rear view thereof;
FIG. 5 is a left side view thereof;
FIG. 6 is a right side view thereof;
FIG. 7 is a top view thereof; and,
FIG. 8 is a bottom view thereof.
The broken line portions of the case for tools in FIGS. 1-8 represent unclaimed portions of the claimed design and form no part thereof.

1 Claim, 6 Drawing Sheets



(56)

References Cited

U.S. PATENT DOCUMENTS

D795,874 S * 8/2017 Szeremeta D3/273
9,994,380 B1 * 6/2018 Szeremeta B65D 81/05
D857,389 S * 8/2019 Hsiao D3/294
D887,137 S * 6/2020 Burek D3/273
2004/0200749 A1 * 10/2004 Wang B25H 3/003
206/349
2011/0247178 A1 * 10/2011 Hsu B25H 3/02
16/386

OTHER PUBLICATIONS

Bosch CCSBOXX Clear Storage Box for Custom Case System, Announced Jun. 29, 2017 [online], [site visited Nov. 28, 2022]. Available from internet, URL: <<https://www.amazon.com/Bosch-CCSBOXX-Storage-Custom-System/dp/B073HTGG7W/>> (Year: 2017).*

Dewalt Tool Box, Tough Case, Medium, Case Only (DWAN2190), Yellow, Announced Oct. 16, 2019 [online], [site visited Nov. 28, 2022]. Available from internet, URL: <<https://www.amazon.com/DEWALT-Tool-Tough-Medium-DWAN2190/dp/B07Z6XBYJT/>> (Year: 2019).*

* cited by examiner

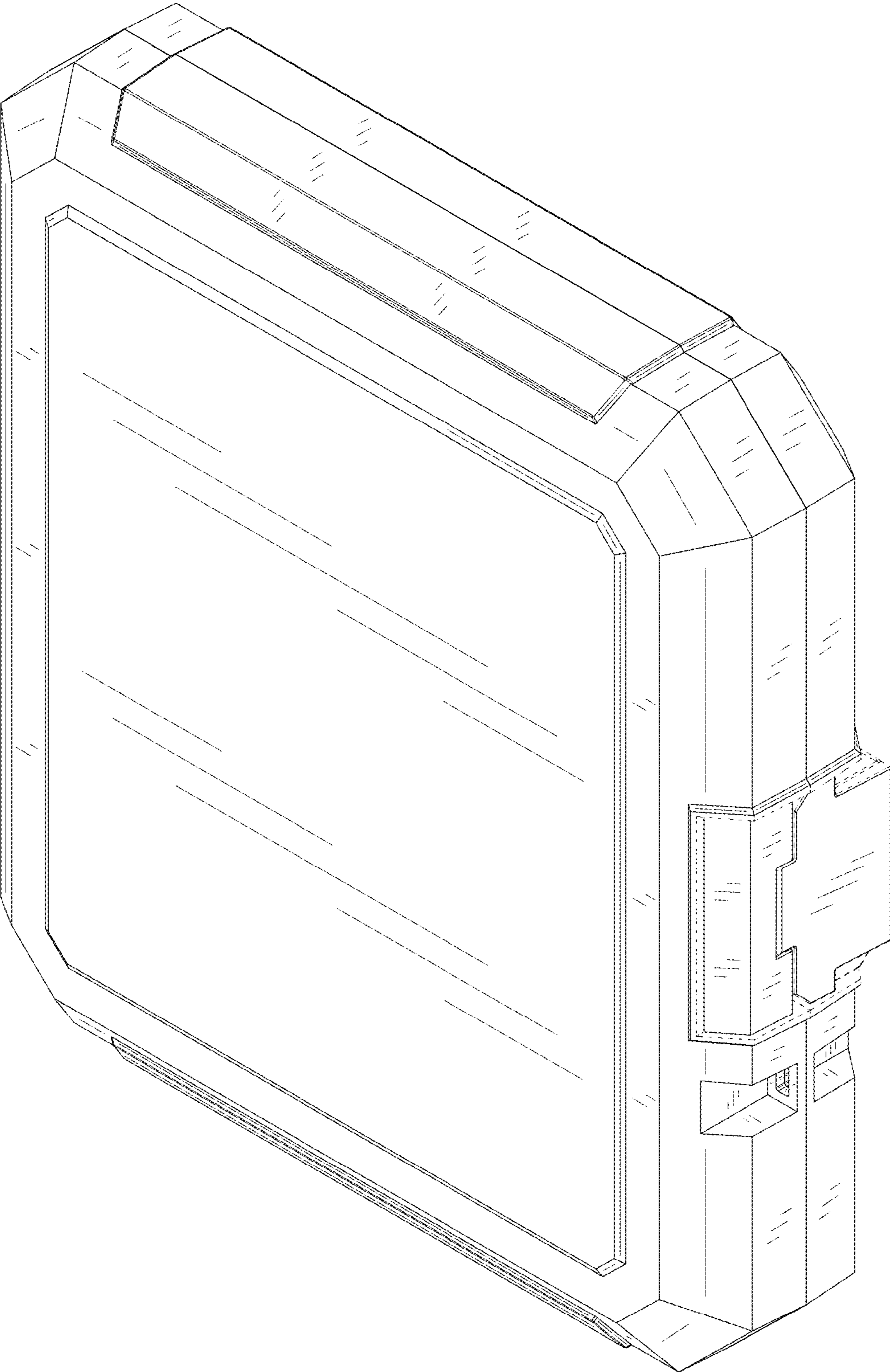


FIG. 1

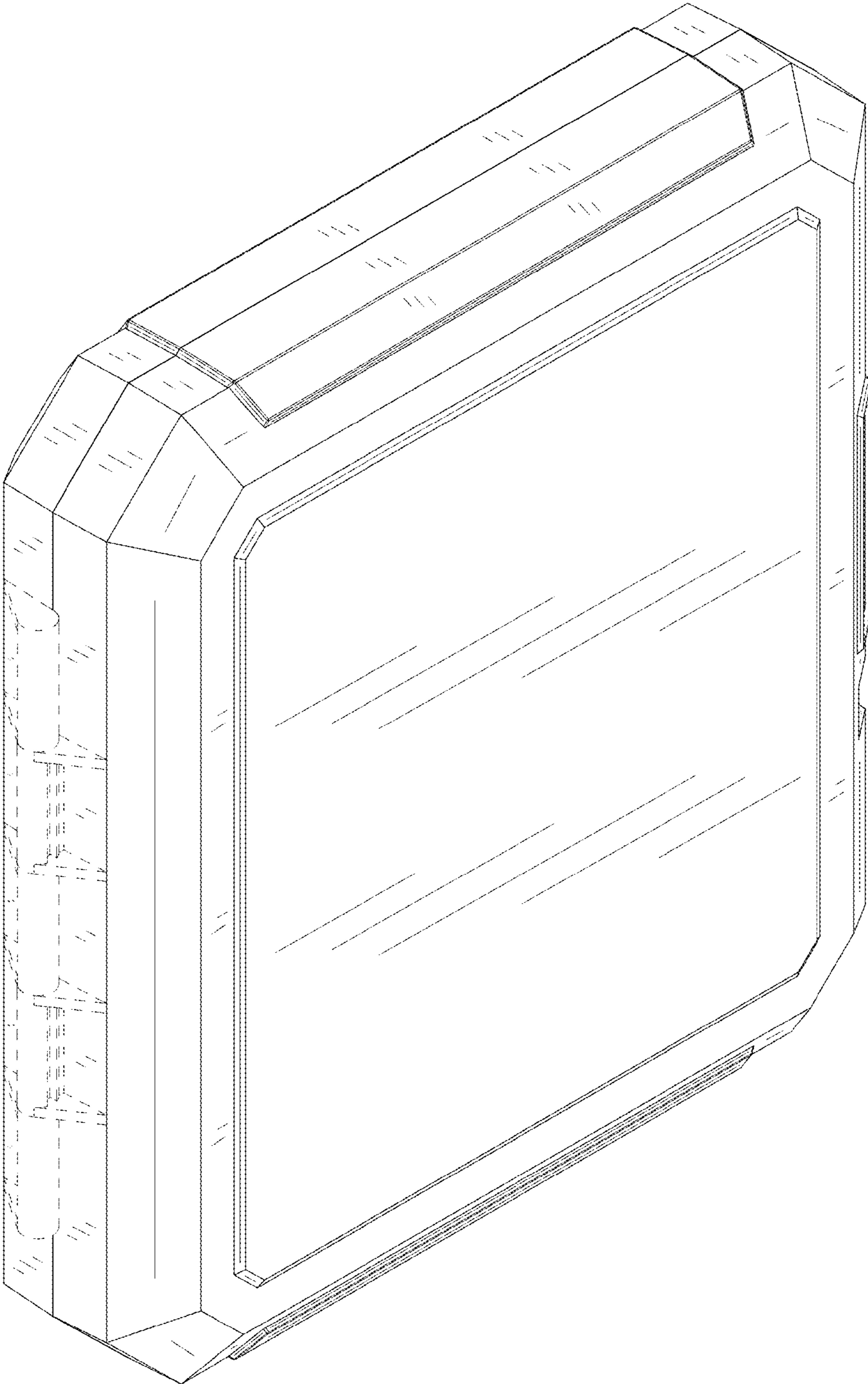


FIG. 2

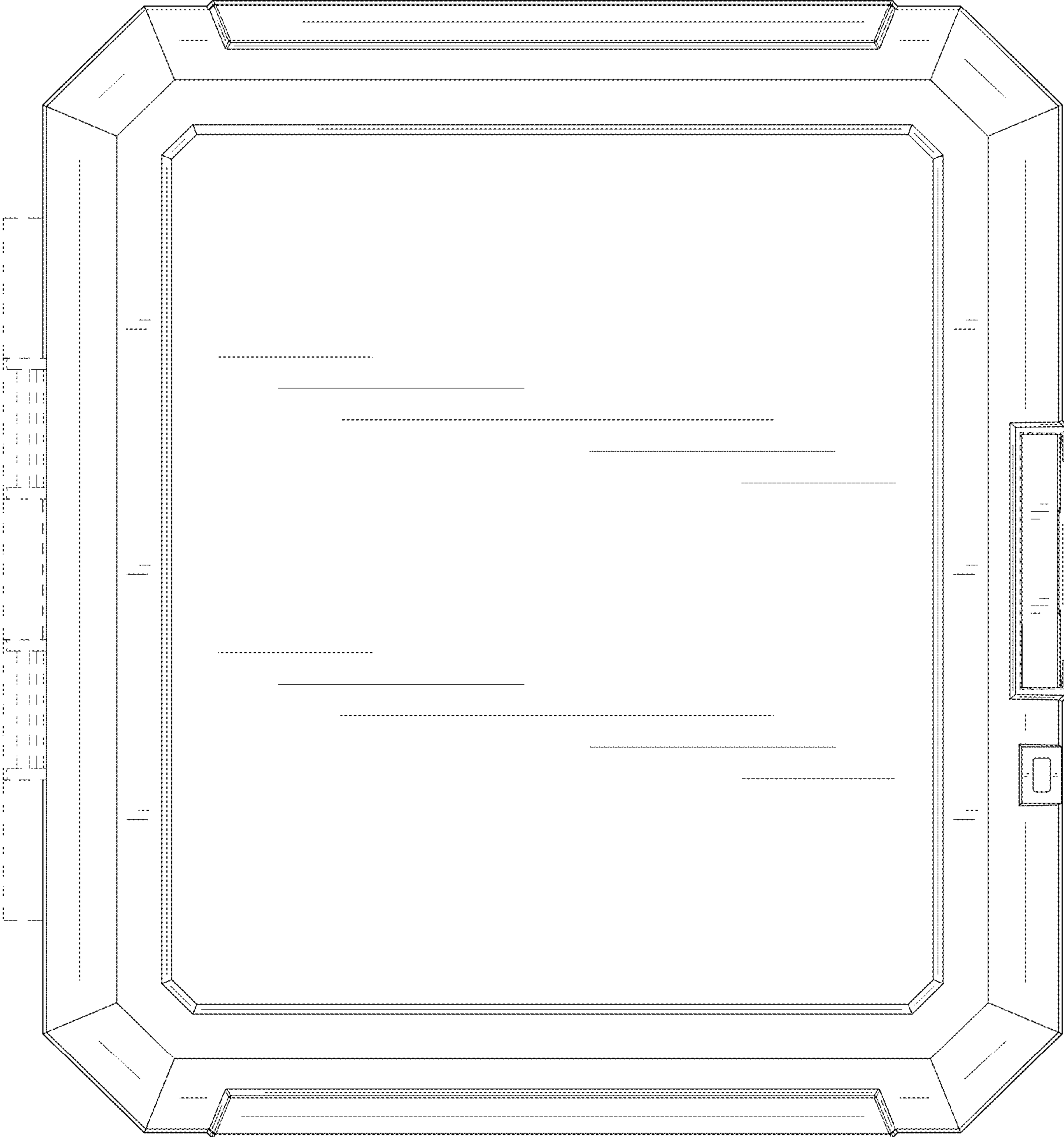


FIG. 3

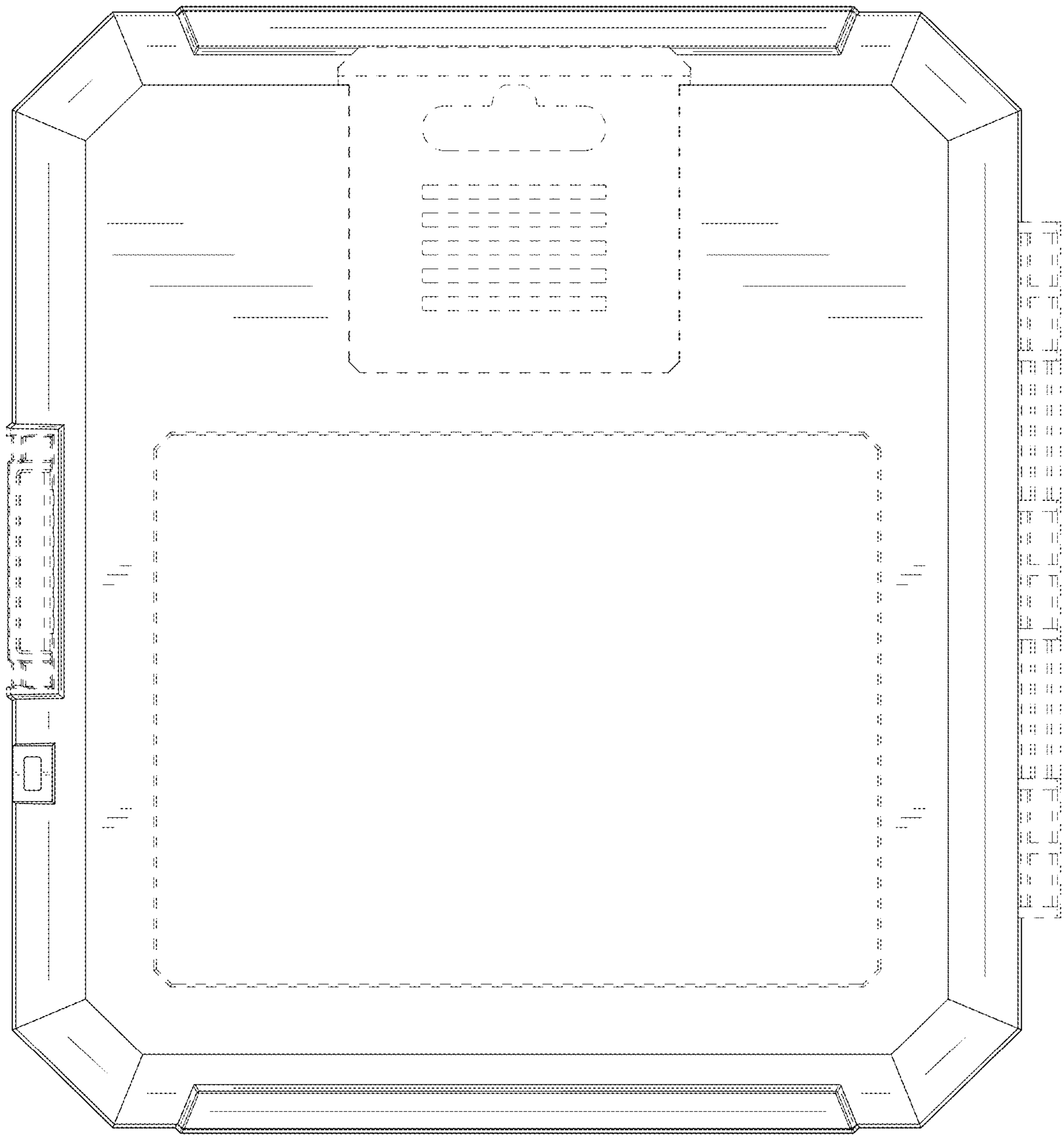


FIG. 4

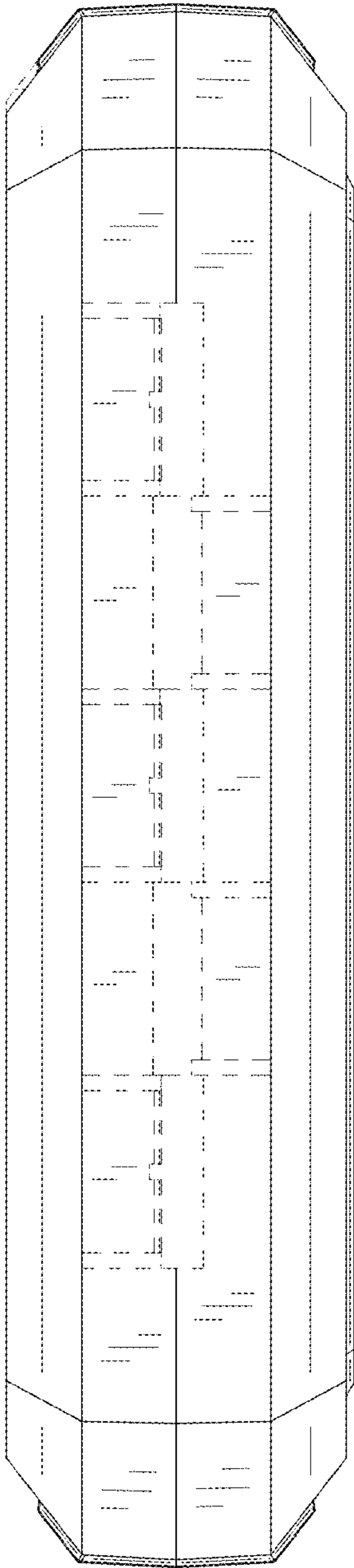


FIG. 5

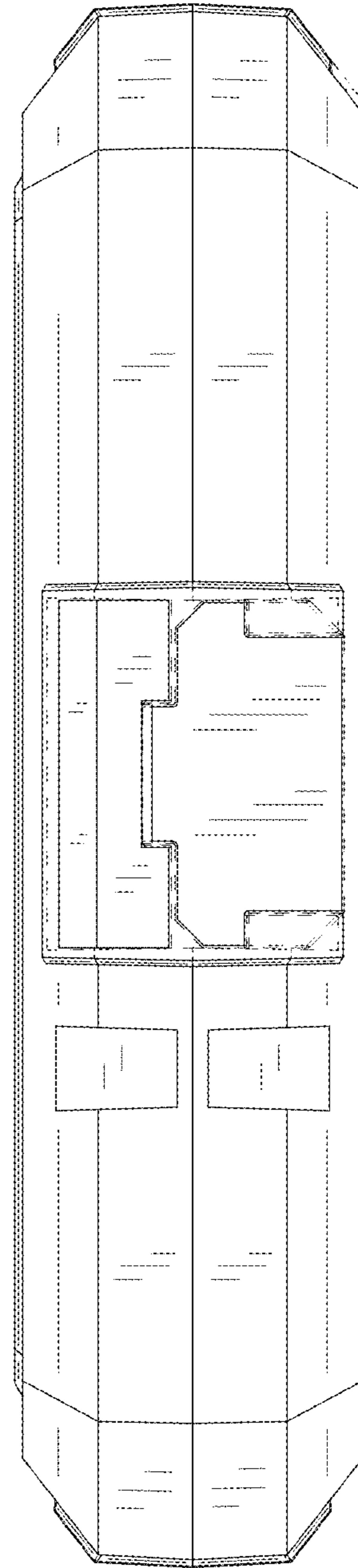


FIG. 6

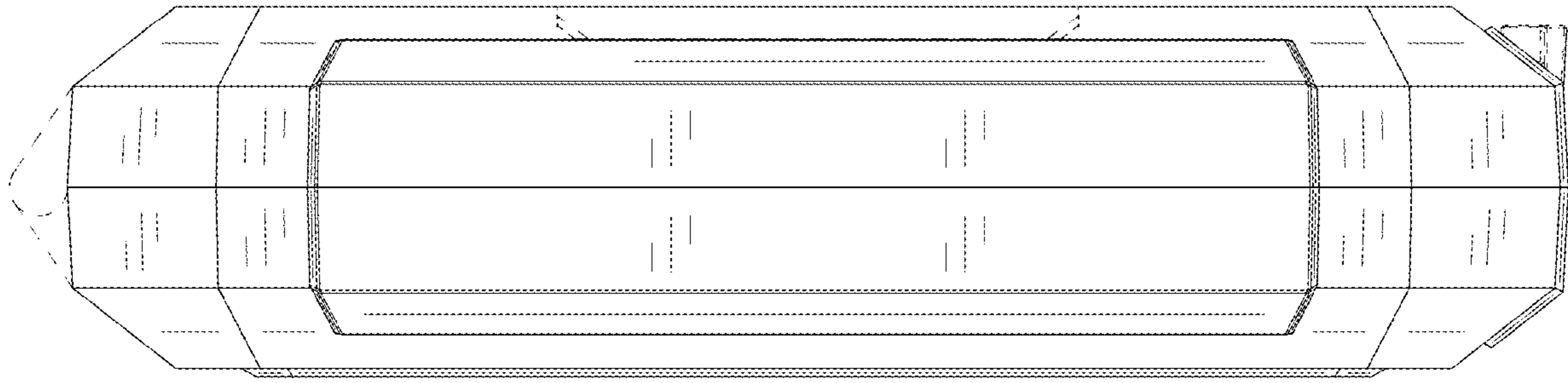


FIG. 7

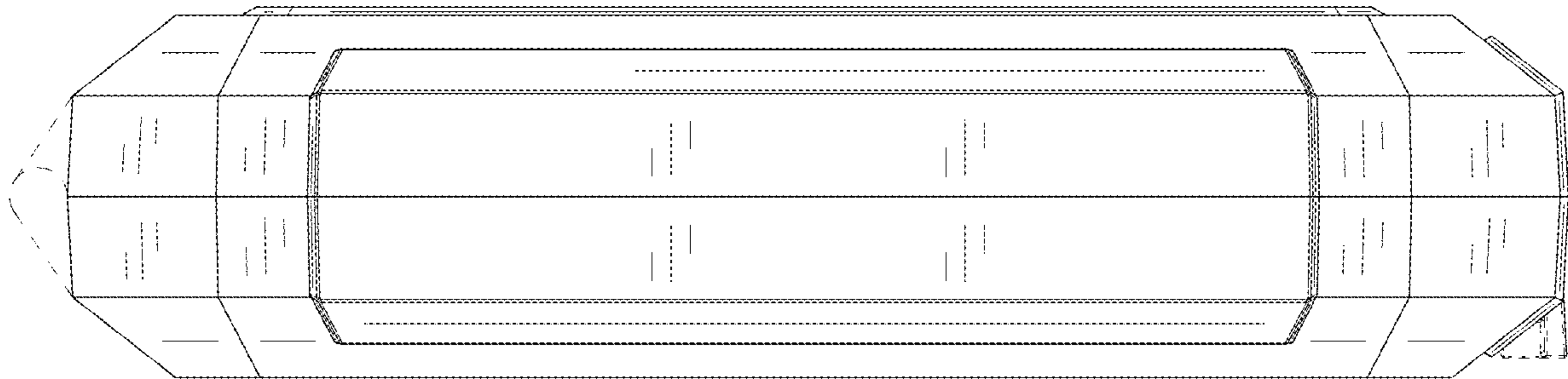


FIG. 8