



US00D985272S

(12) **United States Design Patent**
Lou et al.

(10) **Patent No.:** **US D985,272 S**
(45) **Date of Patent:** **** May 9, 2023**

(54) **STORAGE BOX**

(71) Applicant: **HUNAN LIANKE TECHNOLOGY CO., LTD**, Changde (CN)

(72) Inventors: **Ke Lou**, Changde (CN); **Zhenbin Zhou**, Changde (CN); **Ke Wen Chen**, Changde (CN)

(73) Assignee: **HUNAN LIANKE TECHNOLOGY CO., LTD**, Changde (CN)

(**) Term: **15 Years**

(21) Appl. No.: **29/802,969**

(22) Filed: **Aug. 9, 2021**

(30) **Foreign Application Priority Data**

Jul. 5, 2021 (CN) 202130422049.7

(51) **LOC (14) Cl.** **03-01**

(52) **U.S. Cl.**
USPC **D3/289; D3/905**

(58) **Field of Classification Search**
USPC D3/282, 294, 305, 307, 902, 235, 243,
D3/244, 246, 310, 239, 287, 317, 284,
D3/285, 289, 301, 905
CPC A45C 1/02; A45C 7/005; A45C 11/00; A45C
2003/007
See application file for complete search history.

(56) **References Cited**

U.S. PATENT DOCUMENTS

D668,872 S * 10/2012 Fair D3/289
D672,558 S * 12/2012 Wyner D3/301

D692,236 S * 10/2013 Ashkenazy D3/289
D855,319 S * 8/2019 Zadvinskis D3/289
D874,823 S * 2/2020 Christen D3/905
D880,154 S * 4/2020 Jusic D3/285
D880,860 S * 4/2020 Liu D9/702
D929,732 S * 9/2021 Ding D3/273
D951,637 S * 5/2022 Breines D3/301
D958,533 S * 7/2022 Shao D3/905
D963,340 S * 9/2022 Zhu D3/301

* cited by examiner

Primary Examiner — April Rivas

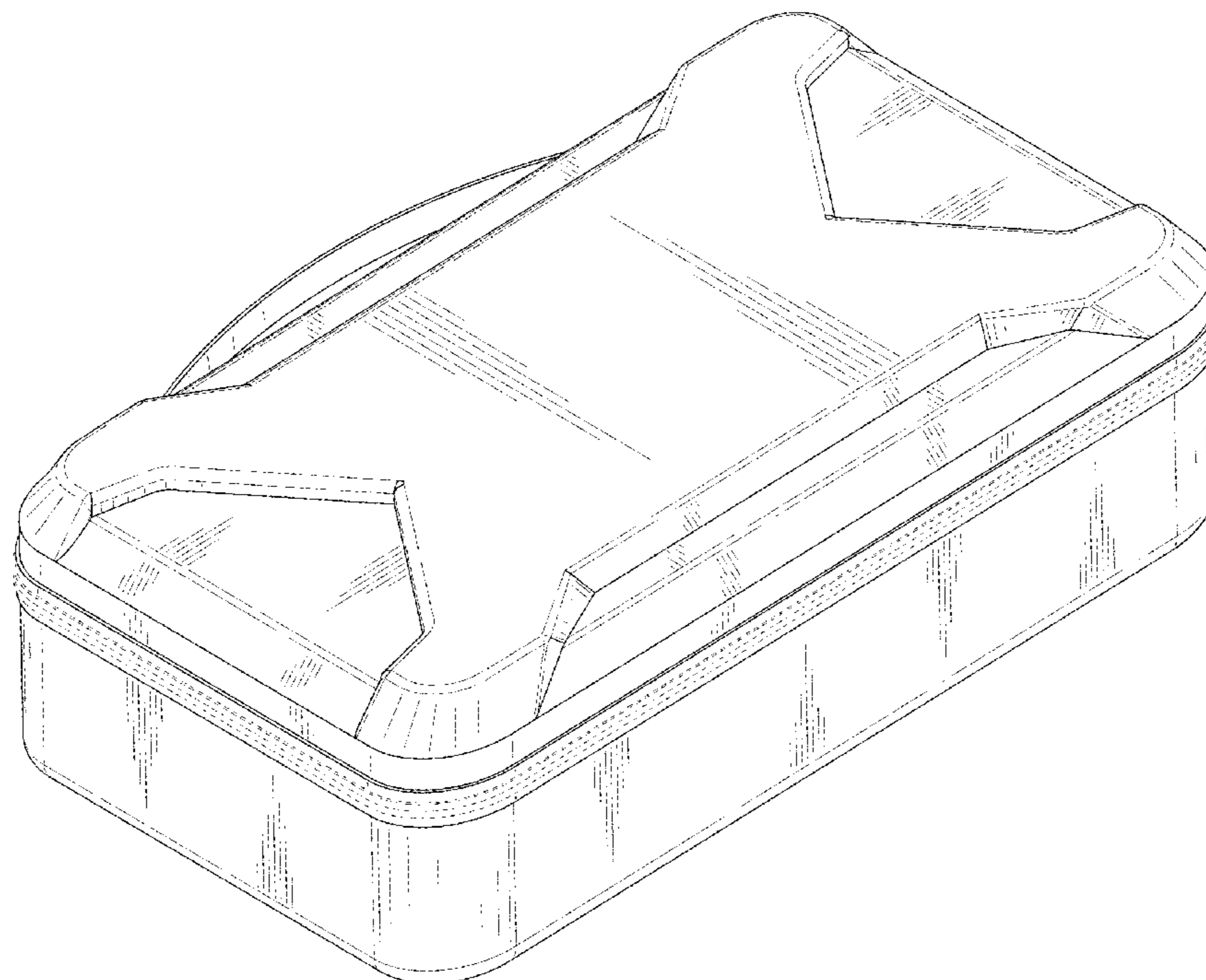
(57) **CLAIM**

The ornamental design for a storage box, as shown and described.

DESCRIPTION

FIG. 1 is a top and front perspective view of a storage box showing my new design;
FIG. 2 is a bottom and rear perspective view thereof;
FIG. 3 is a front elevational view thereof;
FIG. 4 is a rear elevational view thereof;
FIG. 5 is a left side elevational view thereof;
FIG. 6 is a right side elevational view thereof;
FIG. 7 is a top plan view thereof;
FIG. 8 is a bottom plan view thereof; and,
FIG. 9 is a perspective view of the storage box where the storage box is in a configuration of use.
The broken lines in the drawings depict portions of the storage box that form no part of the claimed design.

1 Claim, 9 Drawing Sheets



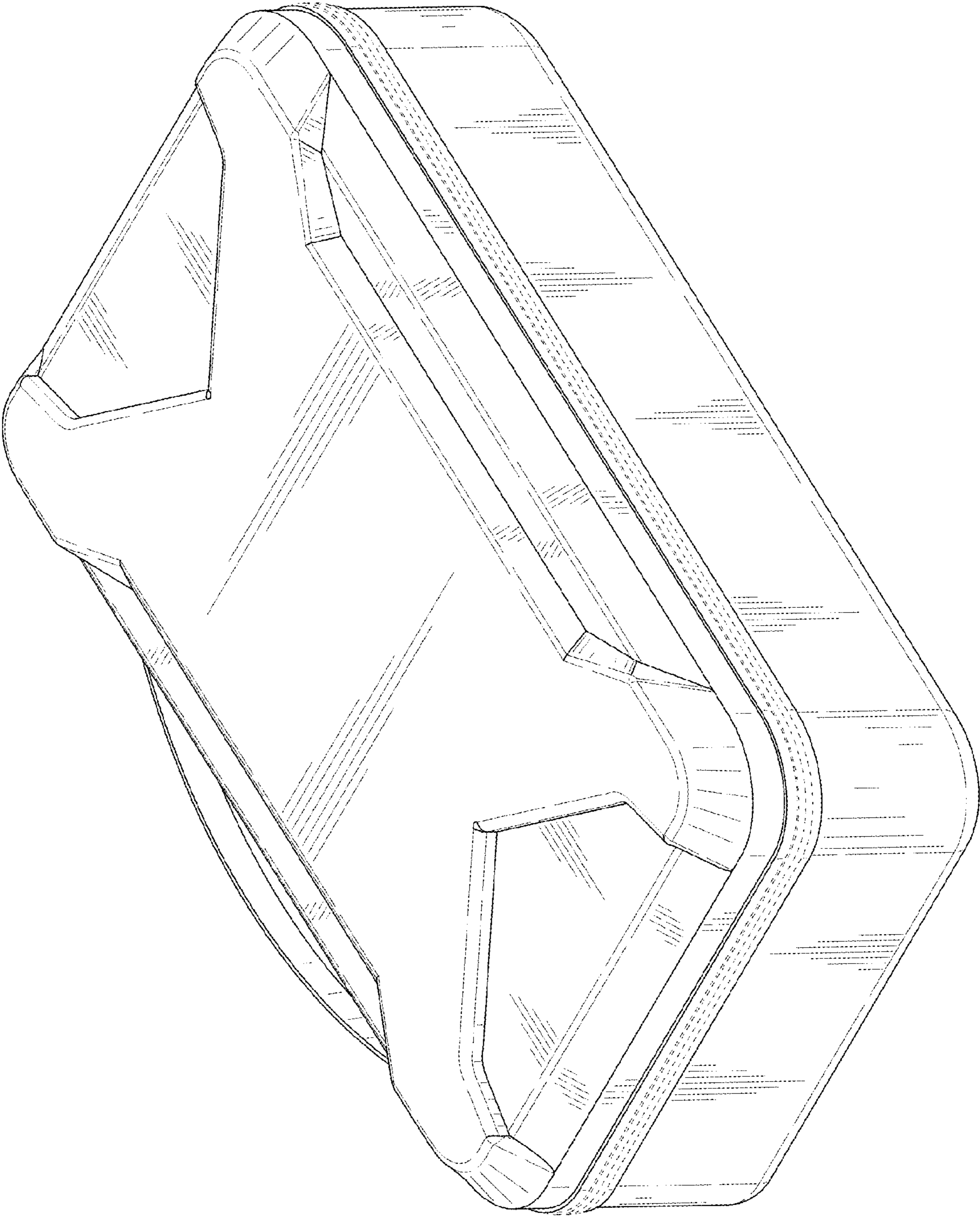


FIG. 1

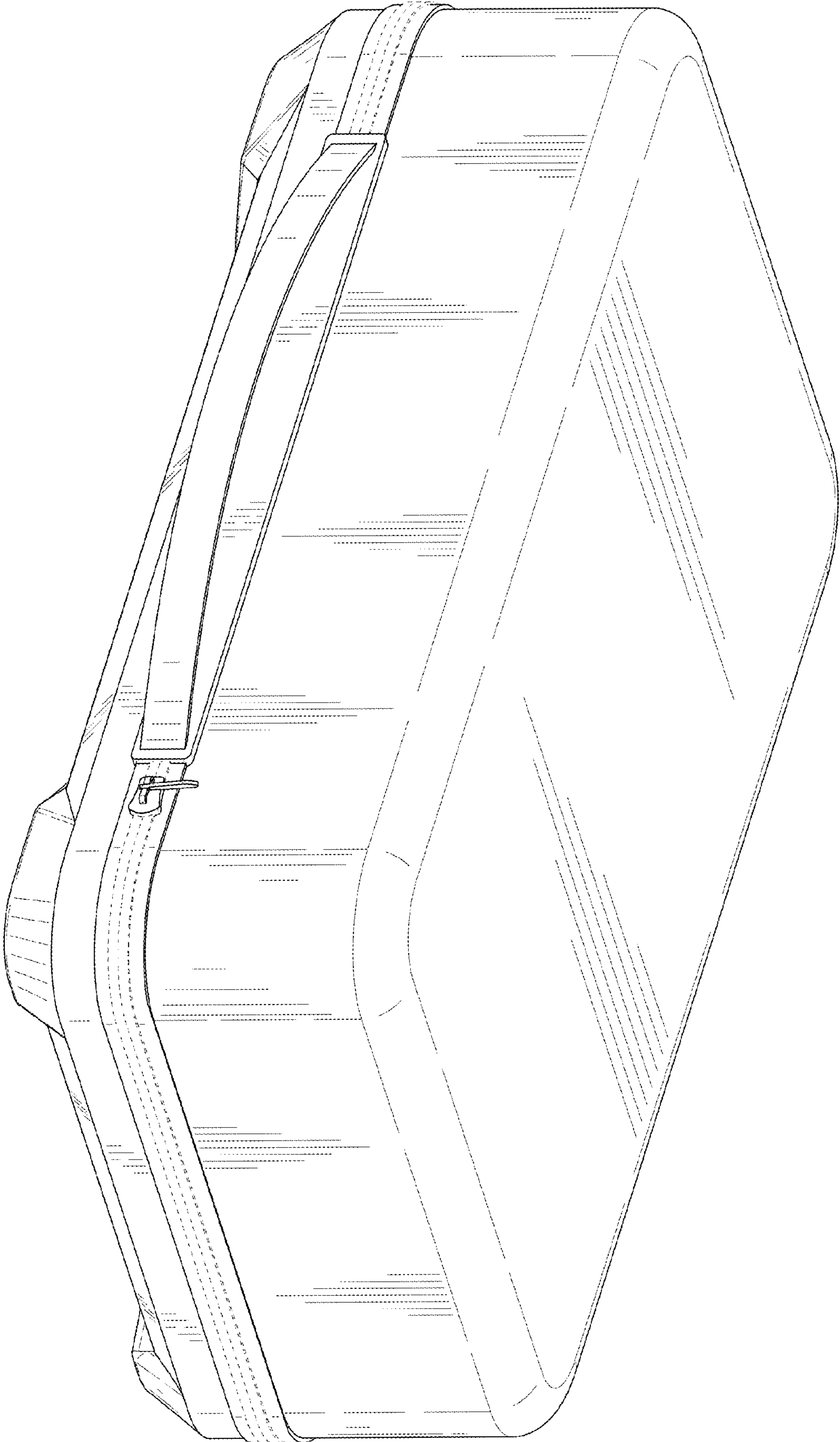


FIG. 2

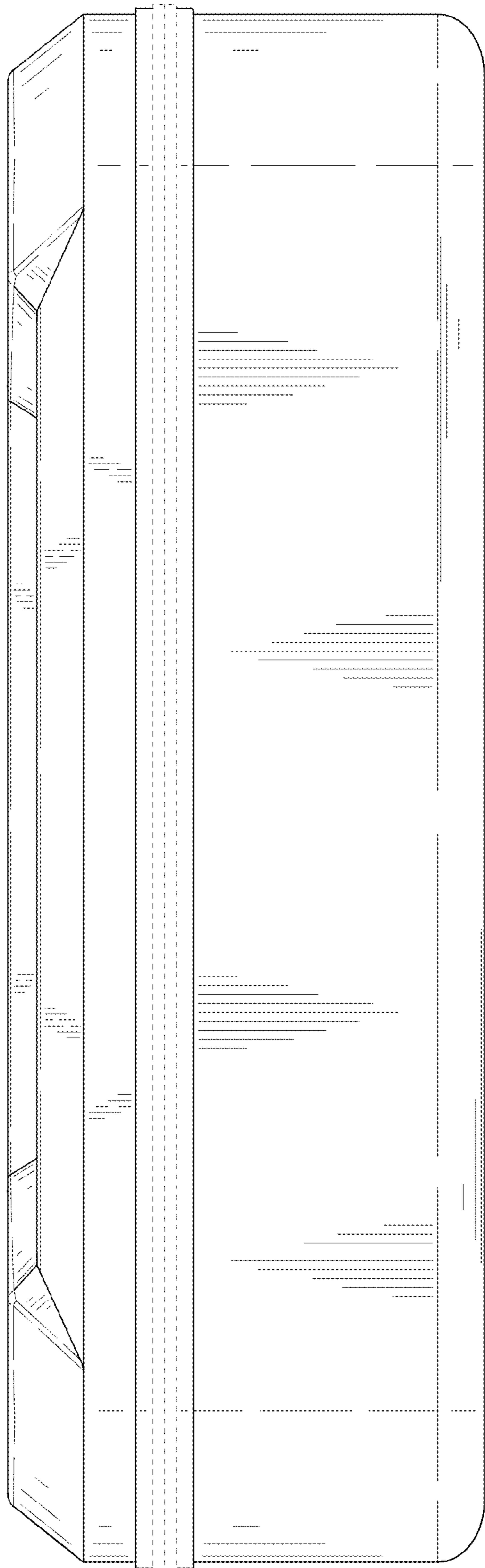


FIG. 3

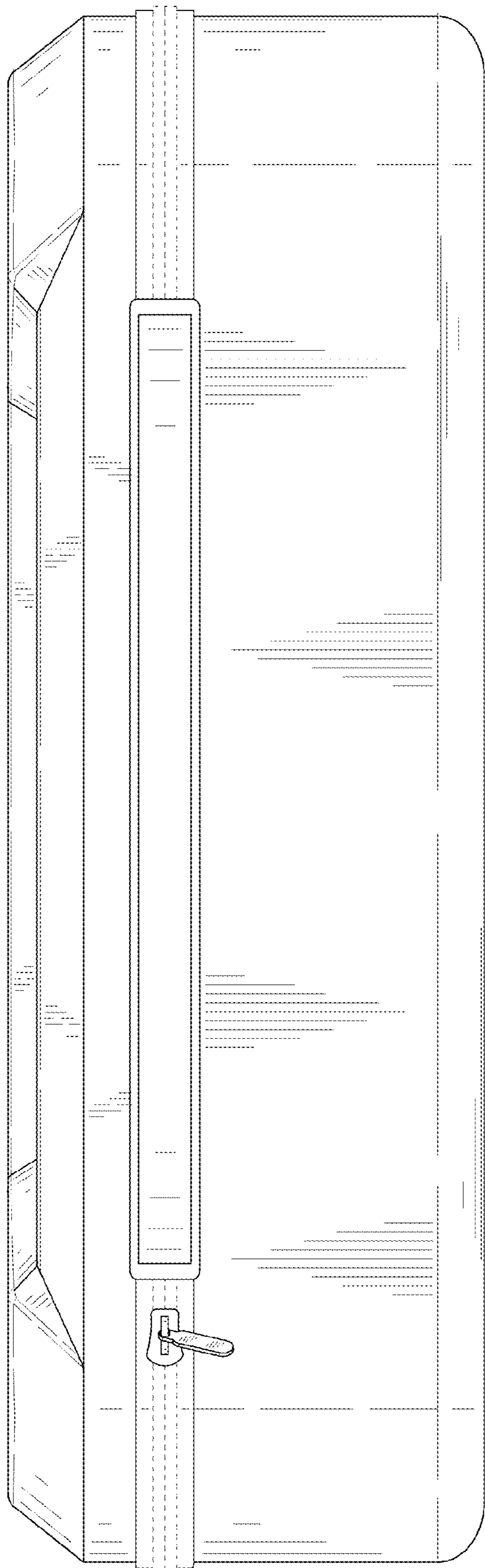


FIG. 4

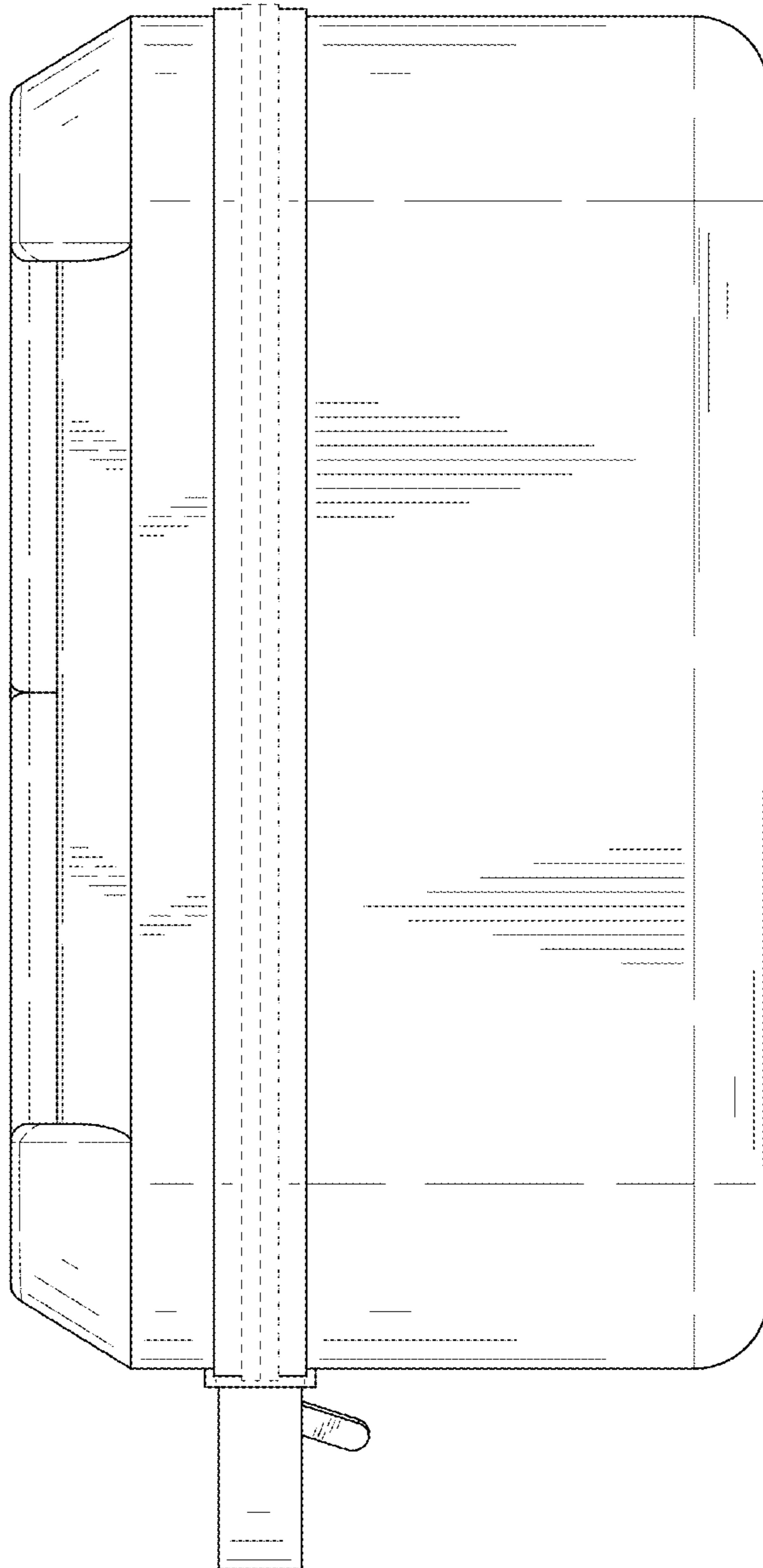


FIG. 5

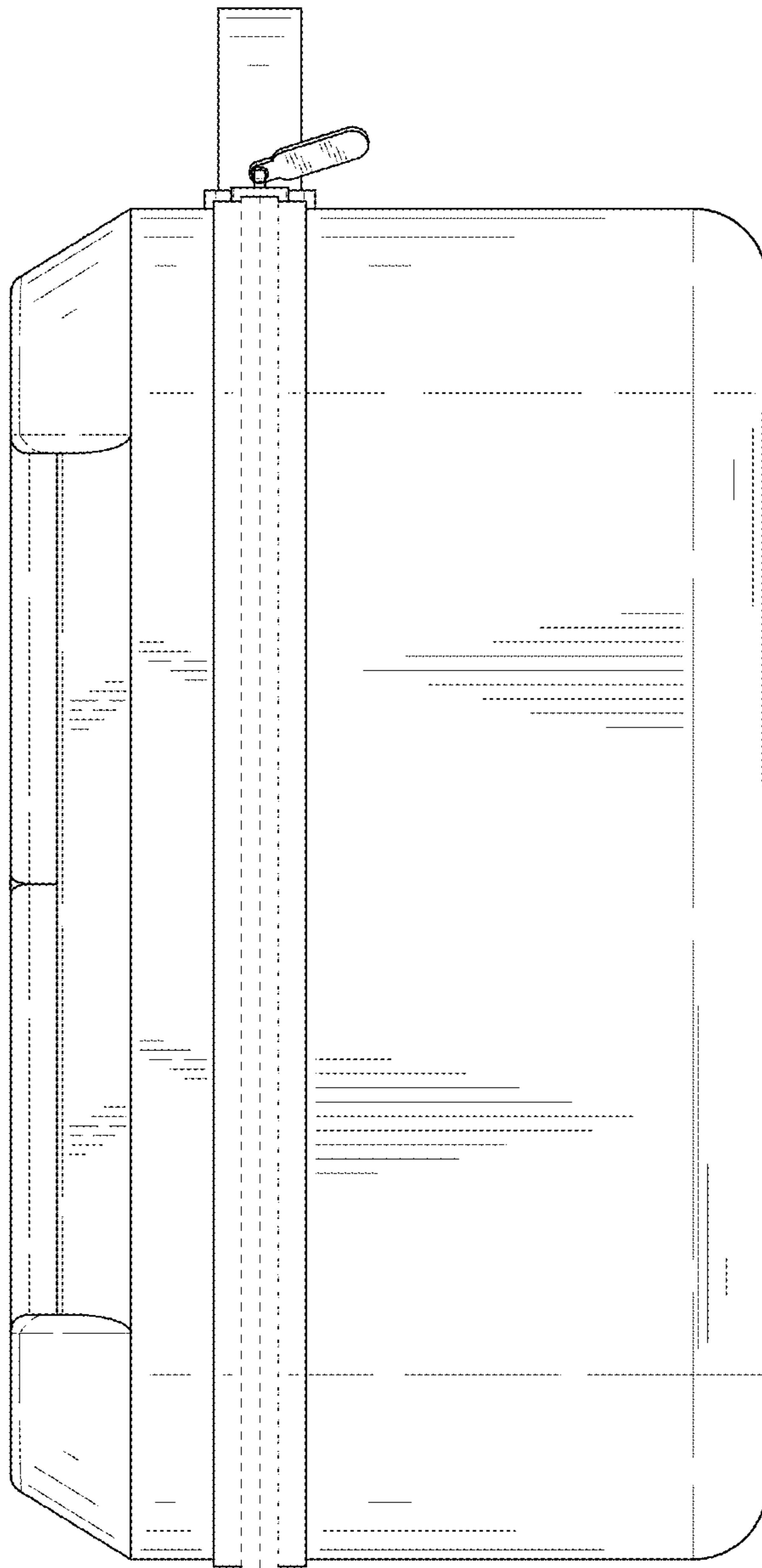


FIG. 6

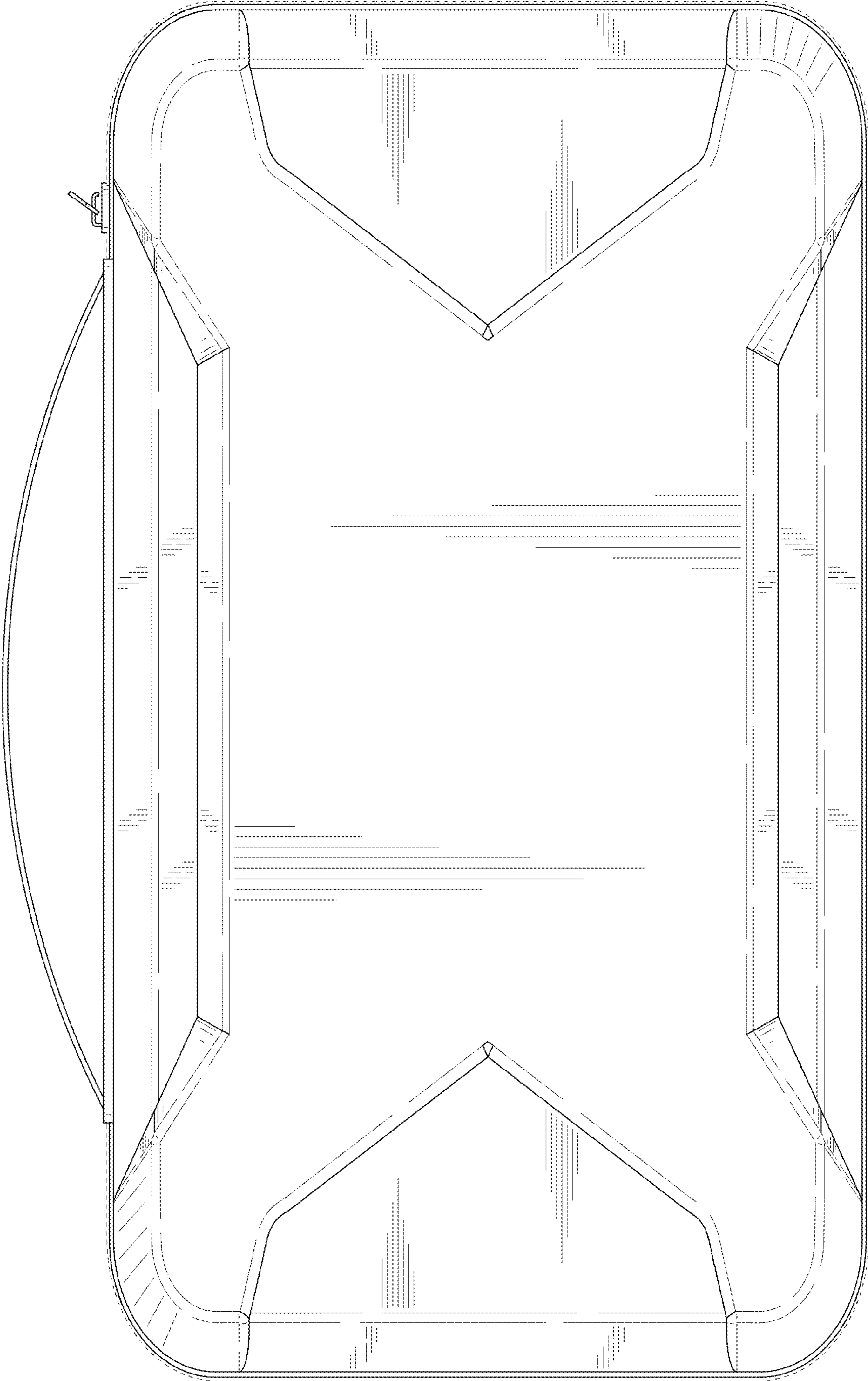


FIG. 7

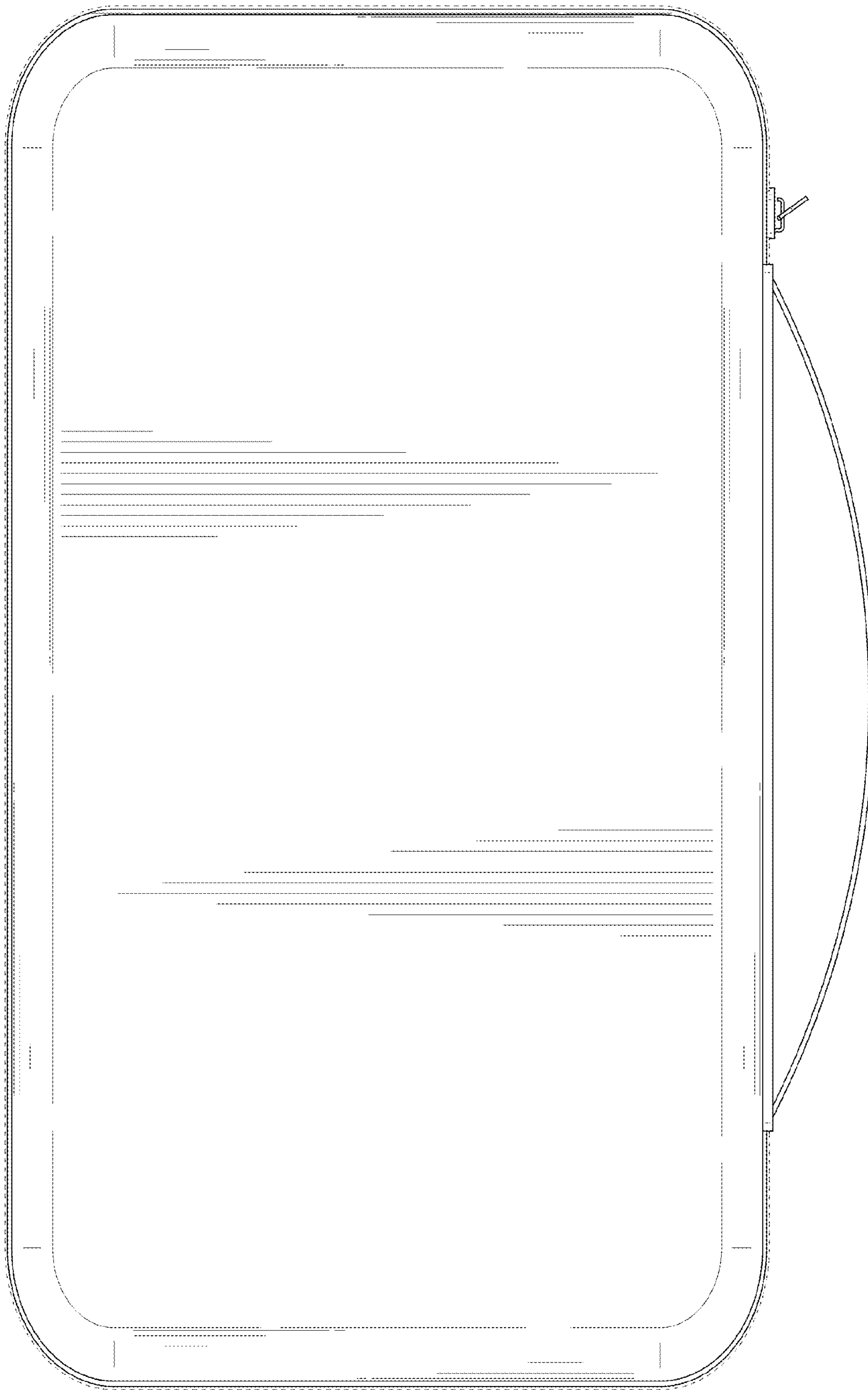


FIG. 8

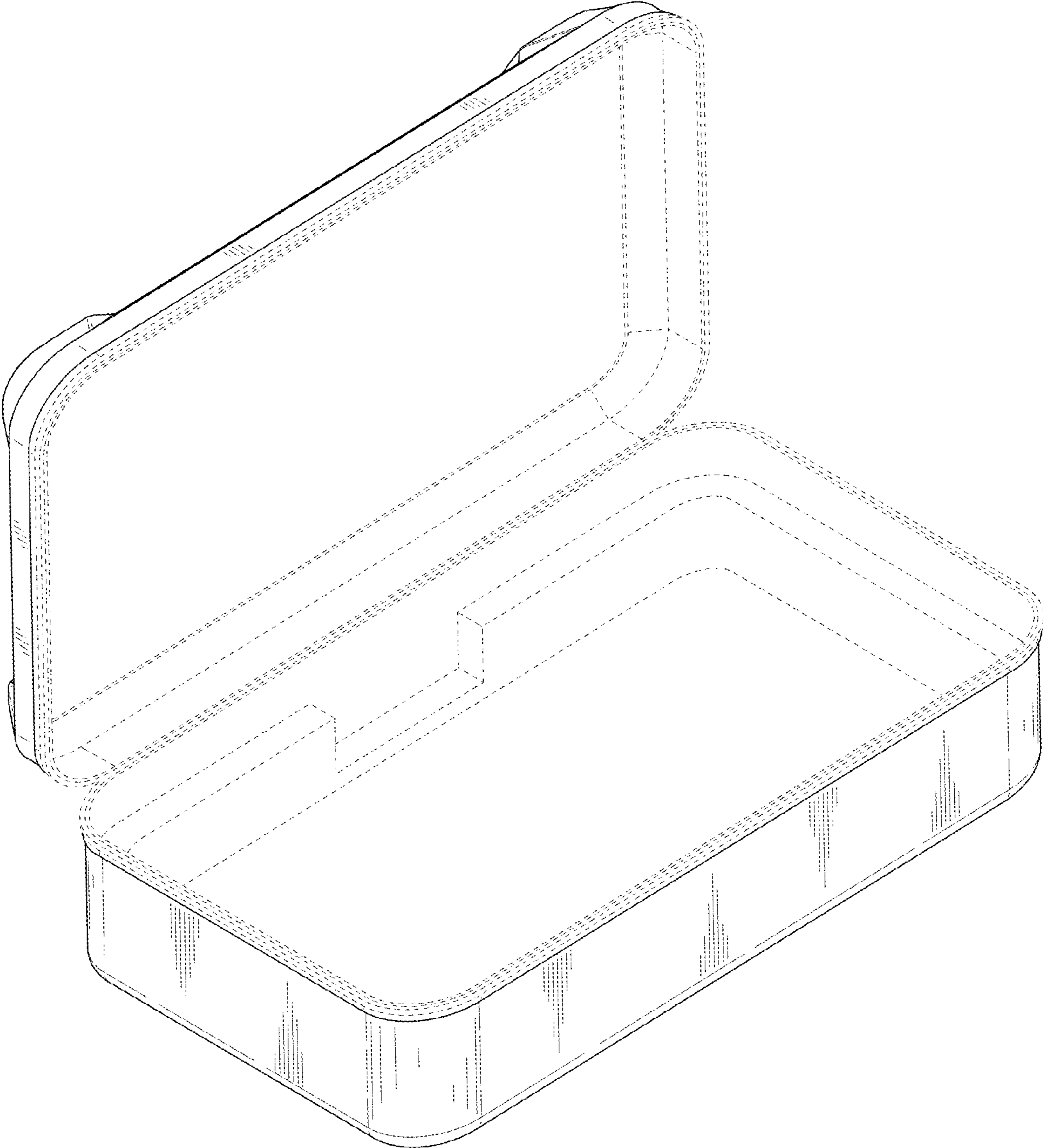


FIG. 9