



US00D985271S

(12) **United States Design Patent** (10) **Patent No.:** **US D985,271 S**
Tan (45) **Date of Patent:** **** May 9, 2023**

(54) **VANITY CASE**

(71) Applicant: **Linping Tan**, Foshan (CN)

(72) Inventor: **Linping Tan**, Foshan (CN)

(**) Term: **15 Years**

(21) Appl. No.: **29/869,475**

(22) Filed: **Dec. 30, 2022**

(51) **LOC (14) Cl.** **03-01**

(52) **U.S. Cl.**
USPC **D3/275**; D3/284; D3/901; D3/902

(58) **Field of Classification Search**
USPC D3/276, 282, 291, 294, 905, 901, 903,
D3/284, 289, 302, 271.2, 281, 275;
D24/229, 226
CPC B25H 3/02; B25H 3/00
See application file for complete search history.

(56) **References Cited**

U.S. PATENT DOCUMENTS

D160,949 S *	11/1950	Knell	D3/901
2,739,697 A *	3/1956	Kuddes	A45C 11/16 312/328
D354,622 S *	1/1995	Lovell	D3/901
D358,708 S *	5/1995	Ko	D3/276
D510,189 S *	10/2005	Greiner	D3/295
D561,462 S *	2/2008	Perella	D3/206
D907,362 S *	1/2021	Perella	D3/294
D965,300 S	10/2022	Won et al.		

OTHER PUBLICATIONS

Ebay, "Multifunction Train Makeup Case with 4 LED Mirror Portable with Lock 2 Layer", First revised Sep. 30, 2022. (<https://www.ebay.com/itm/403913945063>) (Year: 2022).*

* cited by examiner

Primary Examiner — April Rivas

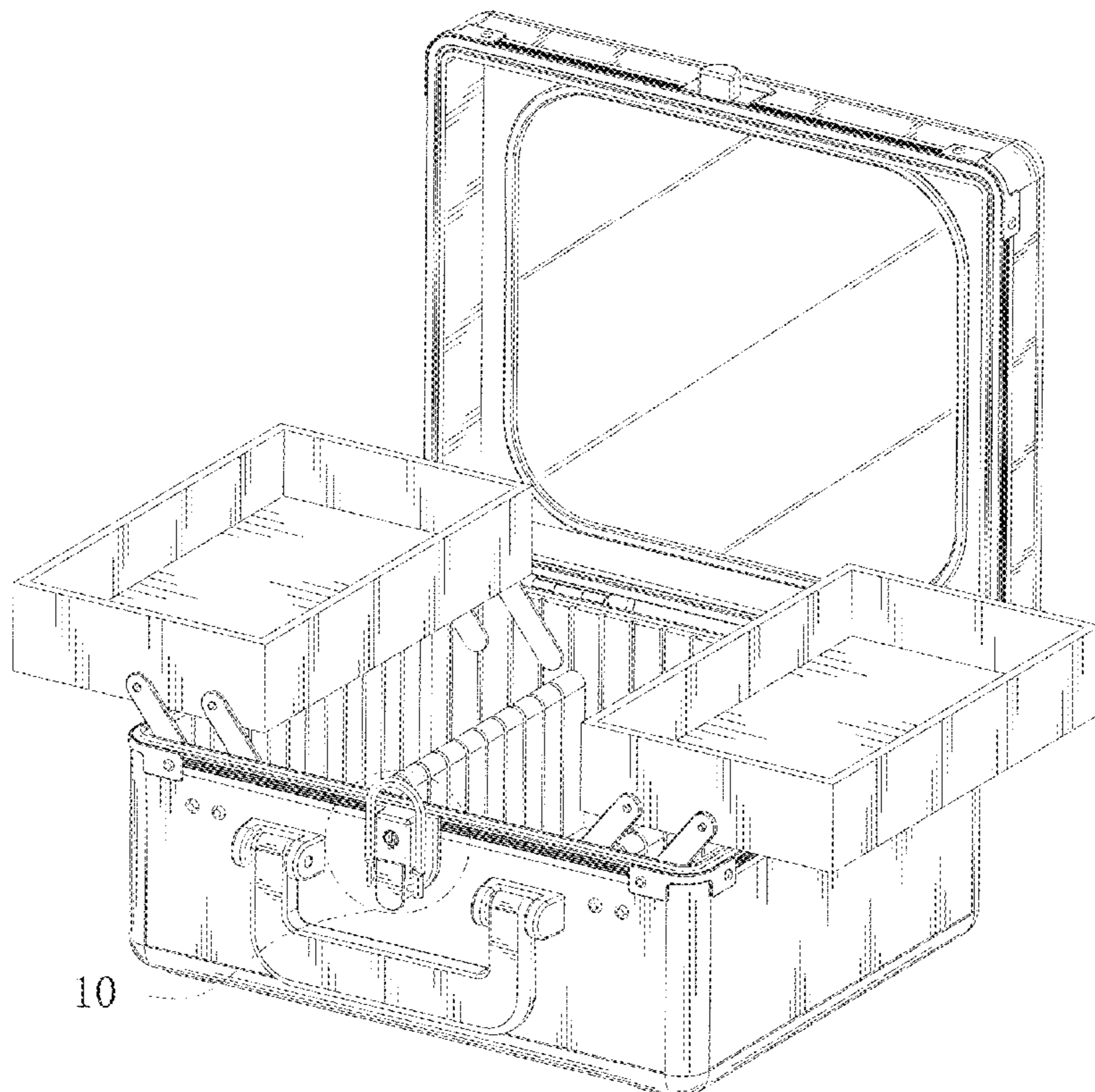
(57) **CLAIM**

The ornamental design for a vanity case, as shown and described.

DESCRIPTION

FIG. 1 is a front, top, and right side perspective view of a vanity case, showing my new design;
FIG. 2 is a front, top, and right side perspective view thereof, showing the interior compartments contracted;
FIG. 3 is a front, top, right side perspective view thereof; showing the vanity case in a closed configuration;
FIG. 4 is a front view of the vanity case in the FIG. 1 open configuration;
FIG. 5 is a rear view thereof;
FIG. 6 is a left side view thereof;
FIG. 7 is a right side view thereof;
FIG. 8 is a top view thereof;
FIG. 9 is a bottom view thereof; and,
FIG. 10 is a locally enlarged figure of FIG. 1.
The dash-dash-dot line indicates the enlarged view and the section from which it is taken and forms no part of the claimed design.

1 Claim, 10 Drawing Sheets



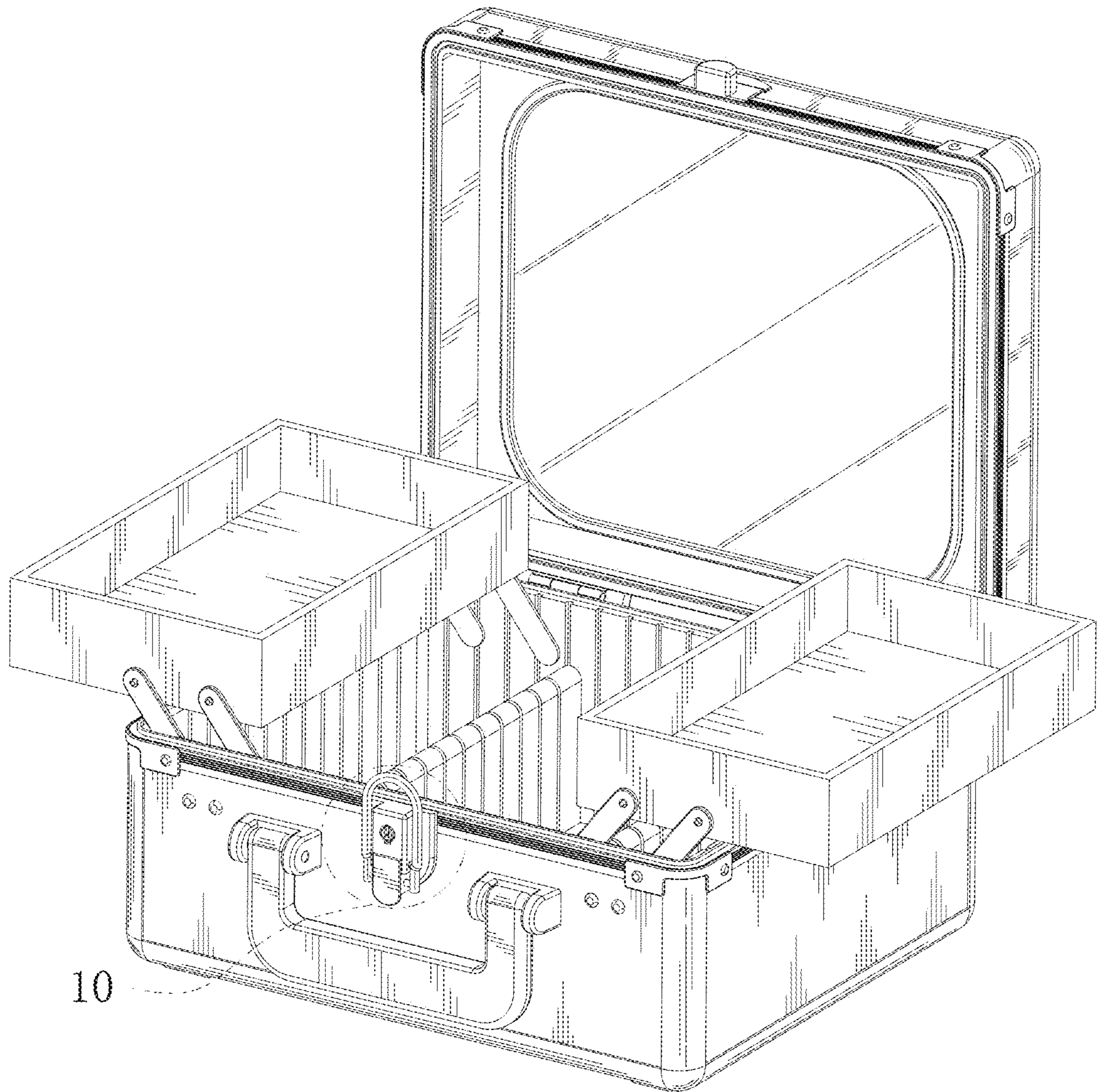


FIG. 1

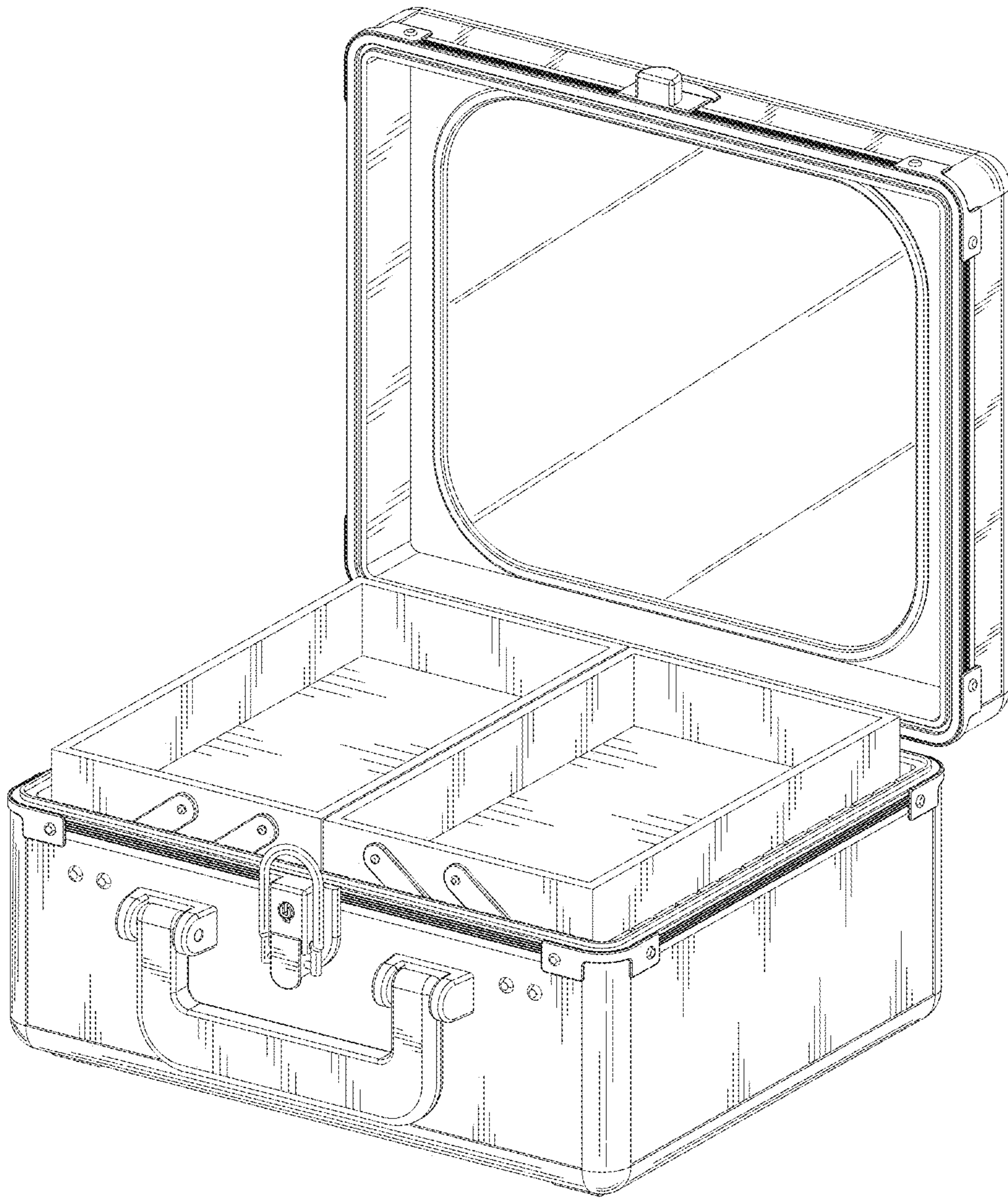


FIG. 2

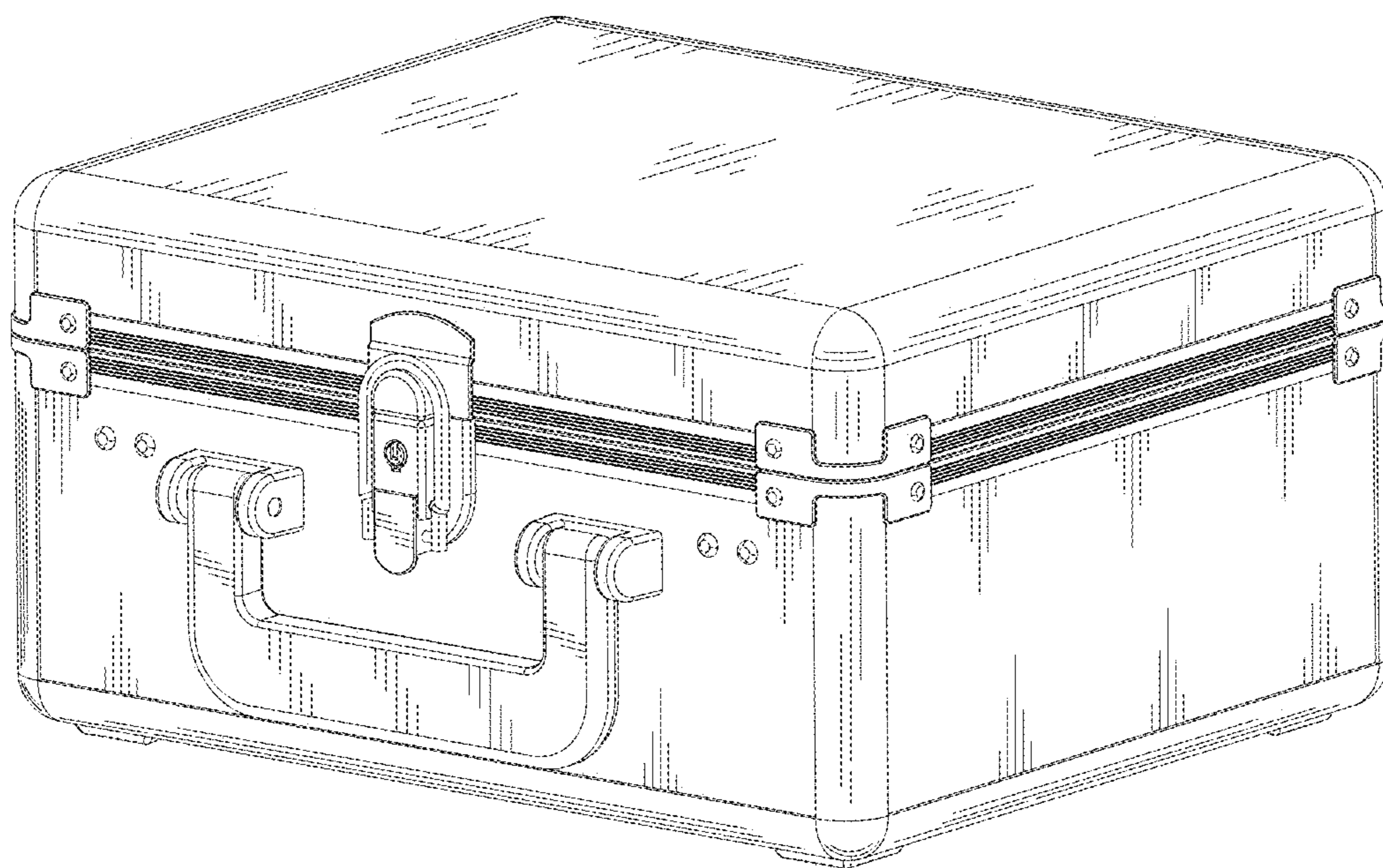


FIG. 3

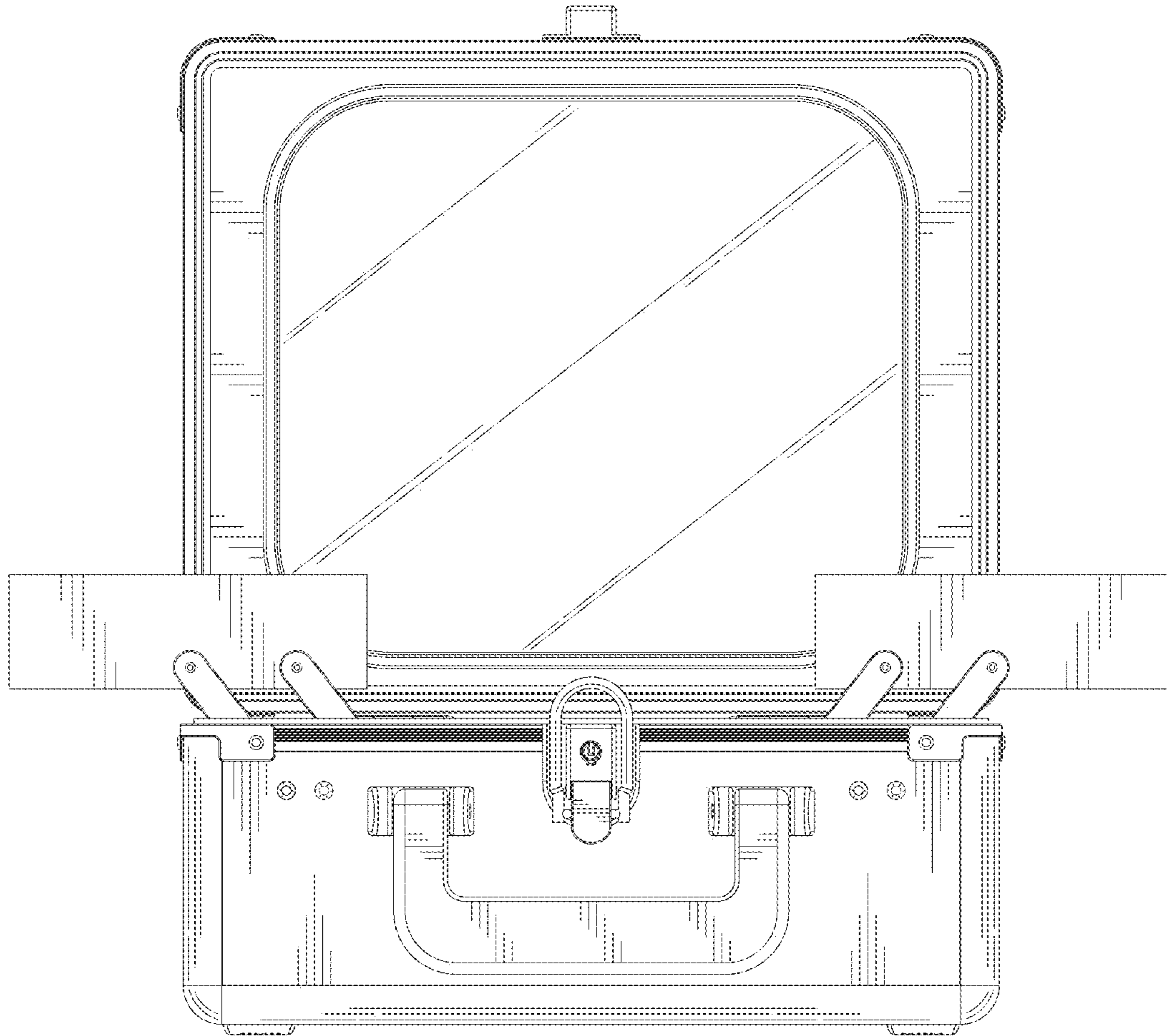


FIG. 4

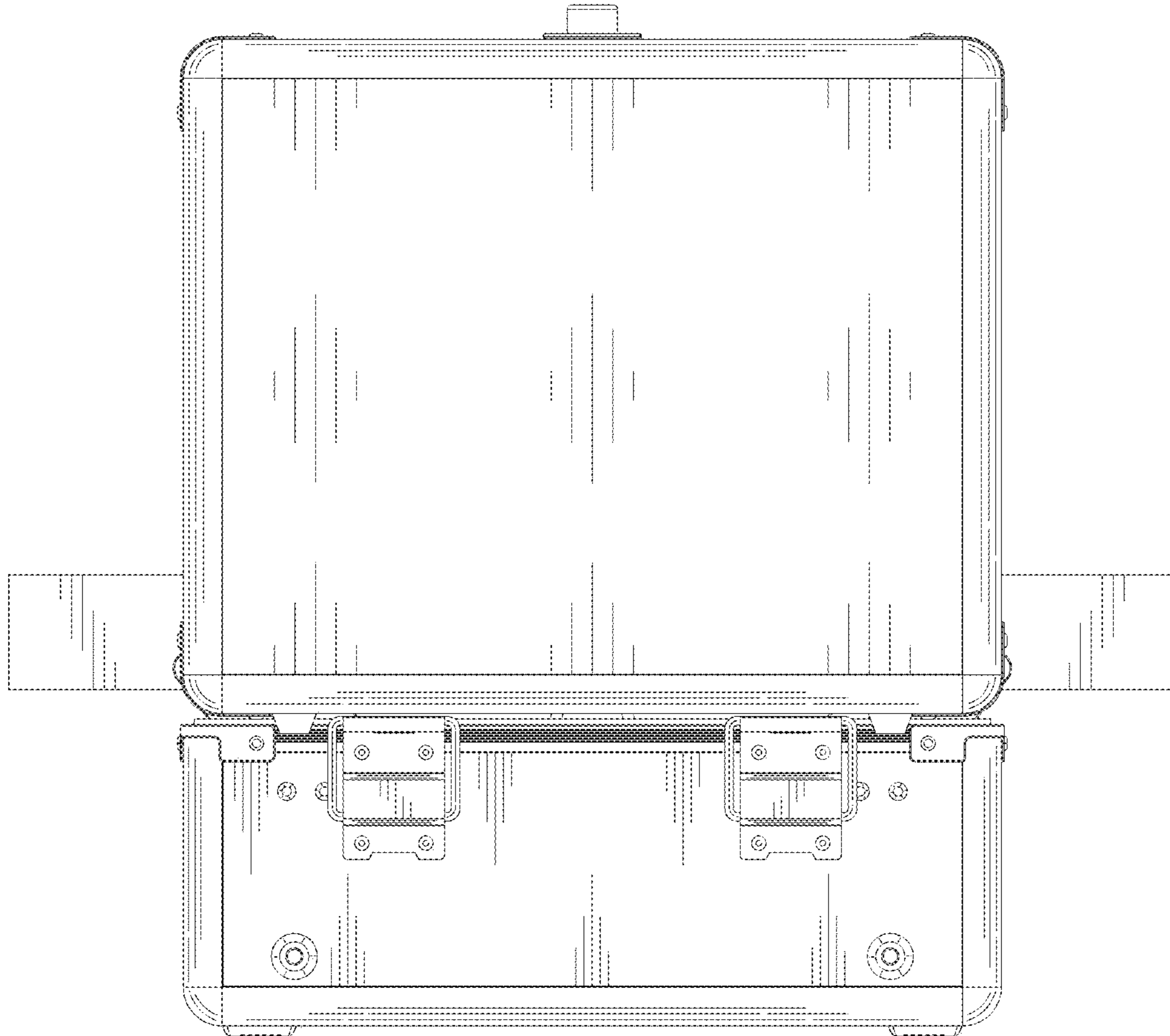


FIG. 5

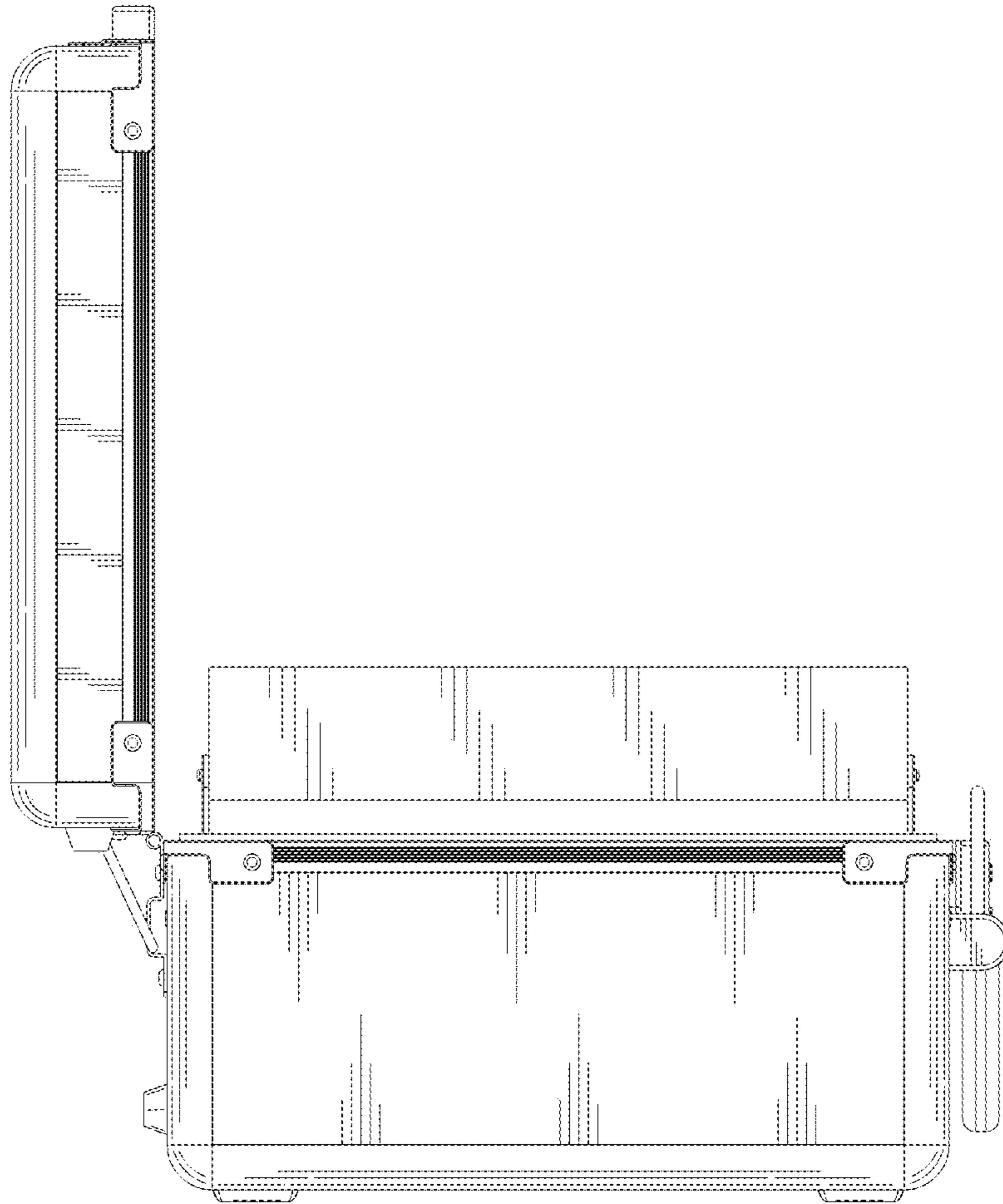


FIG. 6

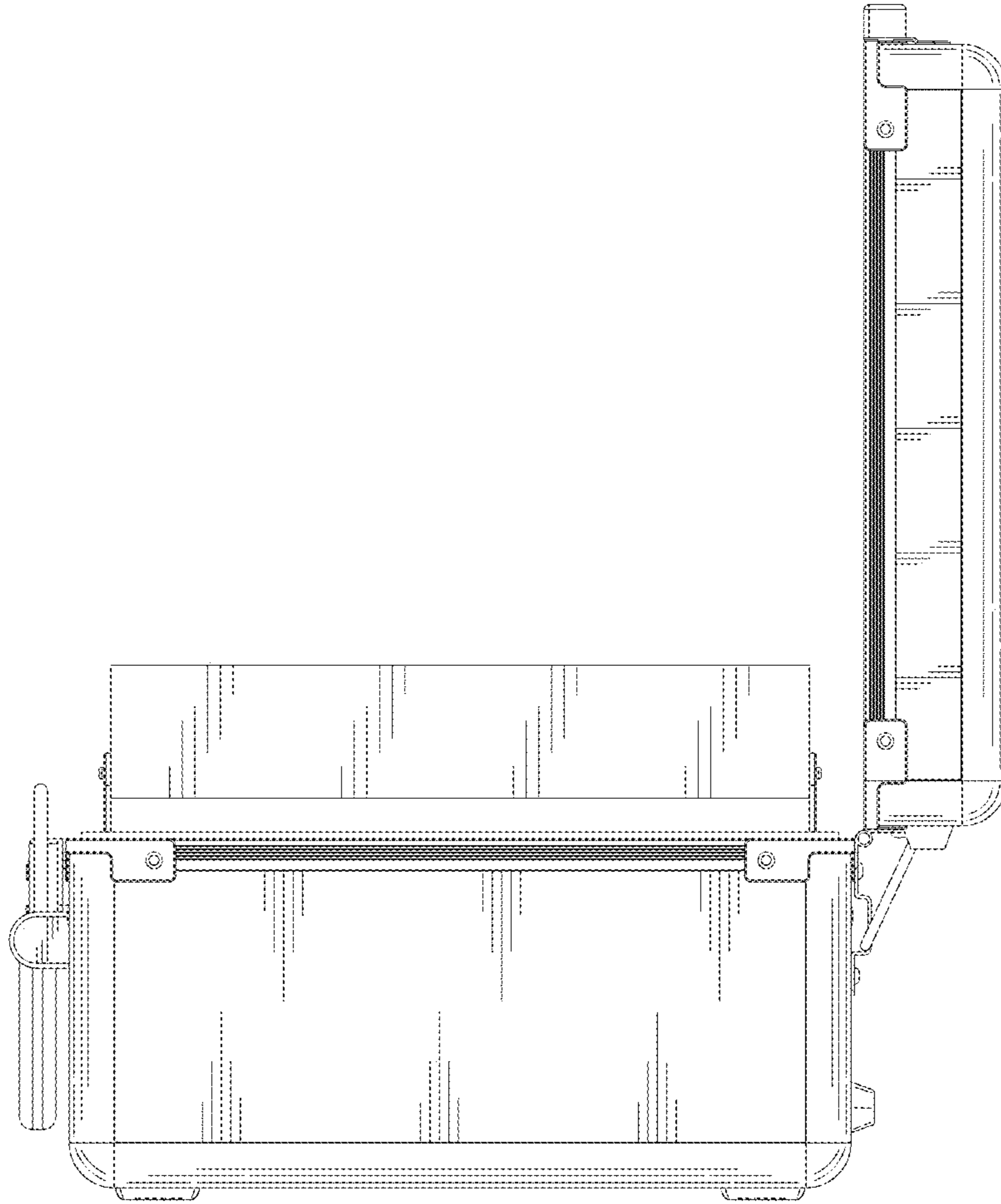


FIG. 7

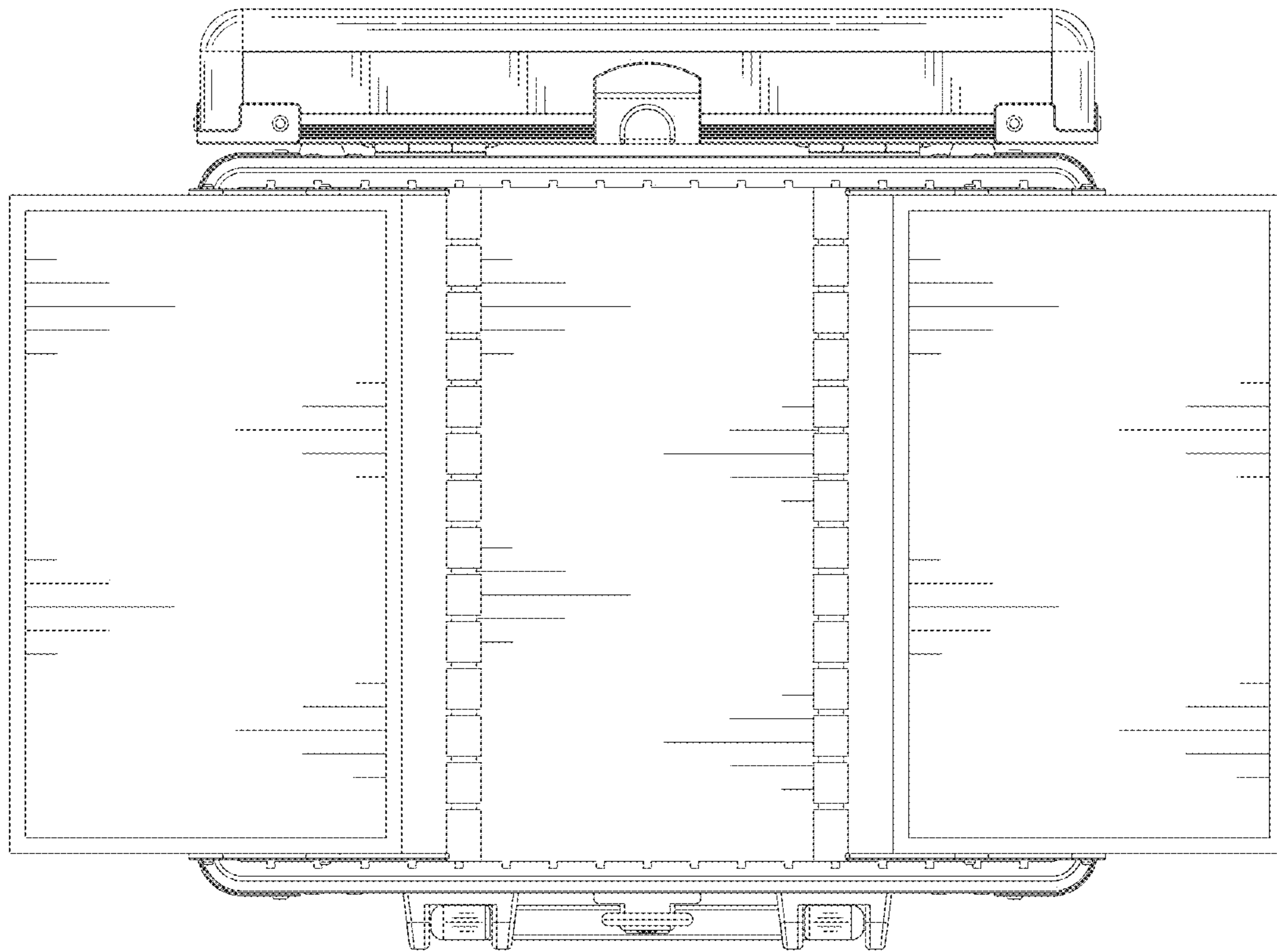


FIG. 8

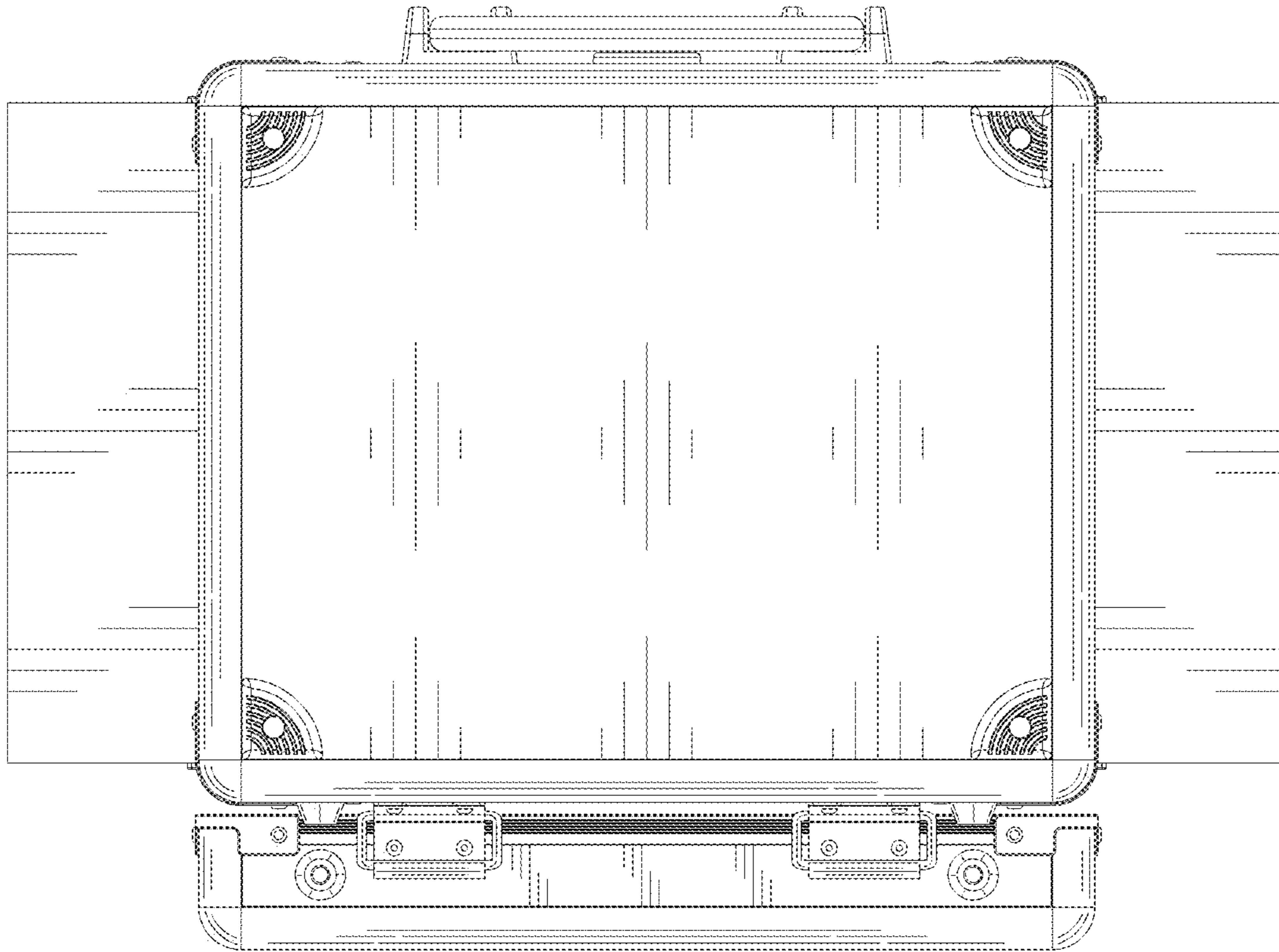


FIG. 9

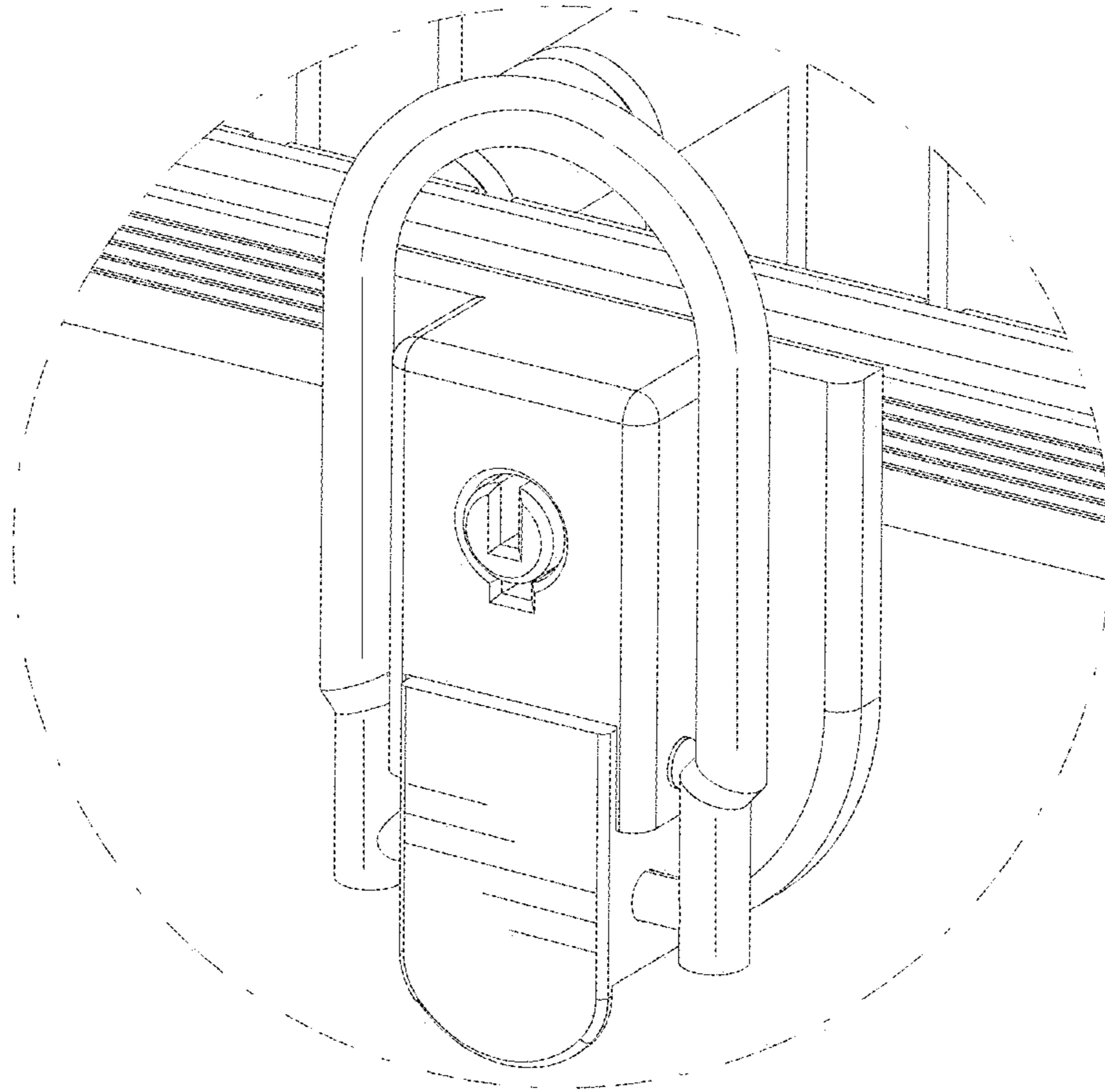


FIG. 10