



US00D985270S

(12) **United States Design Patent** (10) **Patent No.:** **US D985,270 S**  
**Liu** (45) **Date of Patent:** **\*\* May 9, 2023**

(54) **MAKEUP CASE**

(71) Applicant: **Guizhen Liu**, Guangzhou (CN)

(72) Inventor: **Guizhen Liu**, Guangzhou (CN)

(\*\*) Term: **15 Years**

(21) Appl. No.: **29/787,265**

(22) Filed: **Jun. 4, 2021**

(51) **LOC (14) Cl.** ..... **03-01**

(52) **U.S. Cl.**

USPC ..... **D3/283**; D3/901; D3/903

(58) **Field of Classification Search**

USPC ..... D3/276, 282, 291, 294, 905, 901, 903,  
D3/284, 289, 302, 271.2, 281, 275;  
D24/229, 226

CPC ..... B25H 3/02; B25H 3/00

See application file for complete search history.

(56) **References Cited**

**U.S. PATENT DOCUMENTS**

5,941,255	A *	8/1999	Chen	.....	A45C 13/02 206/823
D417,783	S *	12/1999	Wolf	.....	D3/276
D432,309	S *	10/2000	Tsai	.....	D3/901
D485,682	S *	1/2004	Wolf	.....	D3/903
D746,588	S *	1/2016	Pourmehr	.....	D3/288
D779,201	S *	2/2017	Beilman	.....	D3/288
D888,424	S *	6/2020	Huang	.....	D3/901
D895,283	S *	9/2020	Huang	.....	D3/901

**OTHER PUBLICATIONS**

Amazon, "Costravio Makeup Train Case . . . ", First reviewed Dec. 29, 2021. (<https://www.amazon.com/Costravio-Professional-Organizer-Cosmetology-Adjustable/dp/B0B14K5X7C/>) (Year: 2021).\*

Amazon, "Homde Makeup Organizer Cosmetic Case . . . ", First reviewed Oct. 28, 2021. (<https://www.amazon.com/Homde-Makeup-Organizer-Cosmetic-Travel/dp/B0915FDZCZ?th=1>) (Year: 2021).\*

\* cited by examiner

*Primary Examiner* — April Rivas

(74) *Attorney, Agent, or Firm* — ScienBiziP, P.C.

(57) **CLAIM**

The ornamental design for a makeup case, as shown and described.

**DESCRIPTION**

FIG. 1 is a front, right, and top perspective view of a makeup case, showing my design.

FIG. 2 is a rear, left, and bottom perspective view thereof.

FIG. 3 is a front elevation view thereof.

FIG. 4 is a rear elevation view thereof.

FIG. 5 is a left side elevation view thereof.

FIG. 6 is a right side elevation view thereof.

FIG. 7 is a top plan view thereof.

FIG. 8 is a bottom plan view thereof.

FIG. 9 is a partial enlarged view of an area labeled 9 in FIG. 1 comprising a part of side walls.

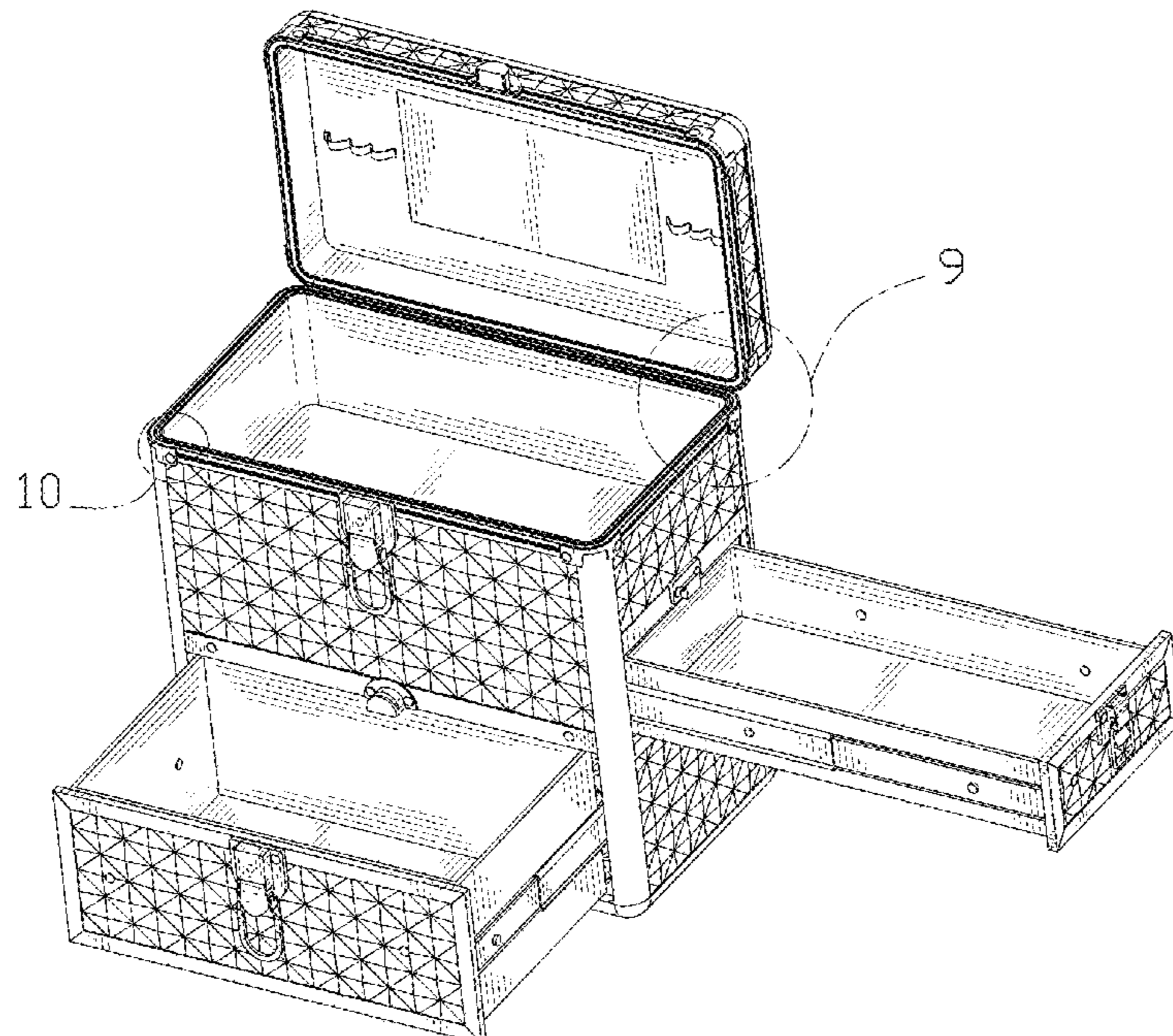
FIG. 10 is a partial enlarged view of an area labeled 10 in FIG. 1 comprising a left upper corner of a body of the makeup case; and,

FIG. 11 is a front, right, and top perspective view of the makeup case of FIG. 1 wherein drawers are pushed into the makeup case and a lid of the makeup case is closed.

The broken lines illustrate portions of the makeup case. The dash-dot lines indicate the bounds of the enlarged views.

None of the broken lines form part of the claimed design.

**1 Claim, 11 Drawing Sheets**



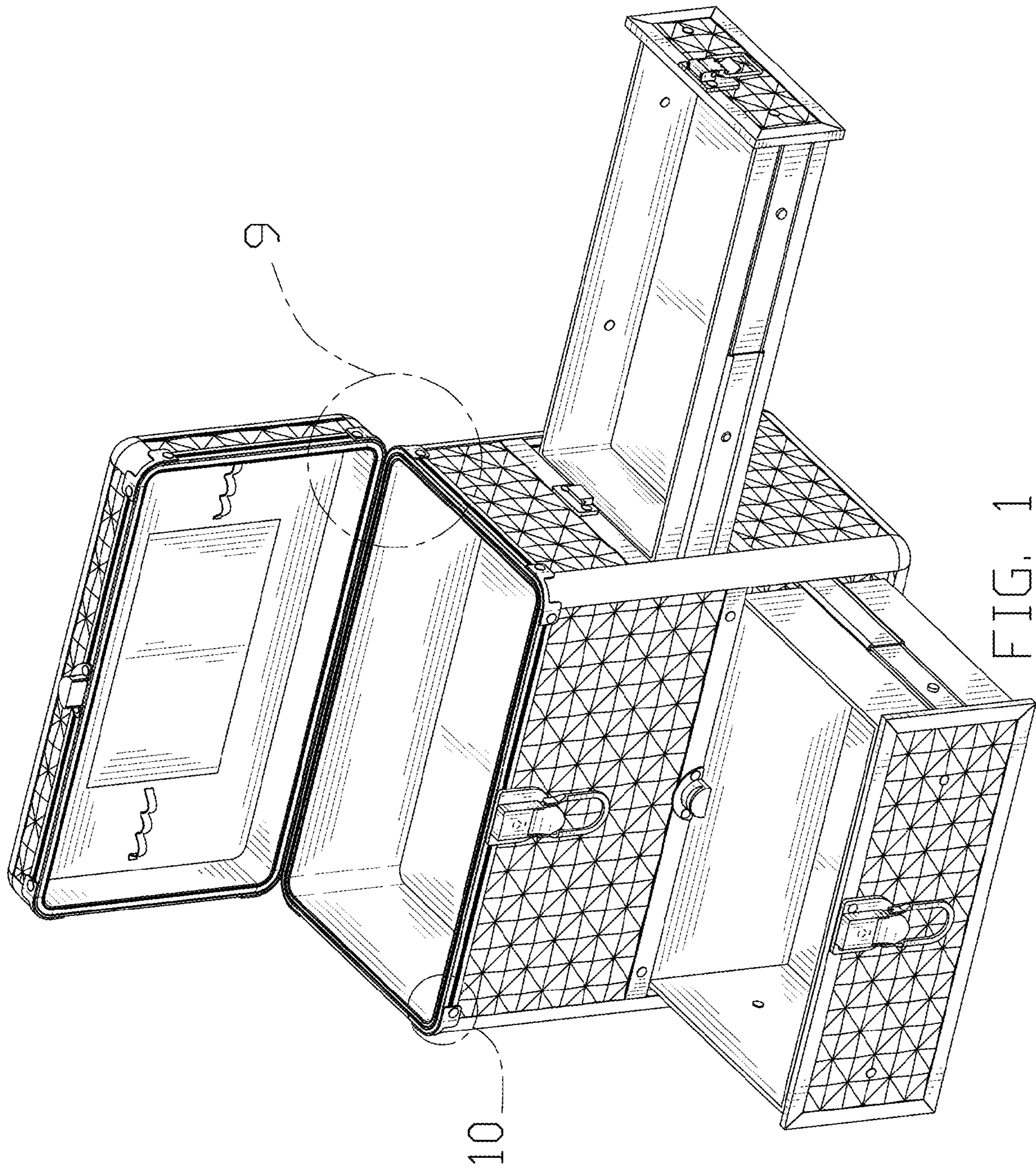


FIG. 1

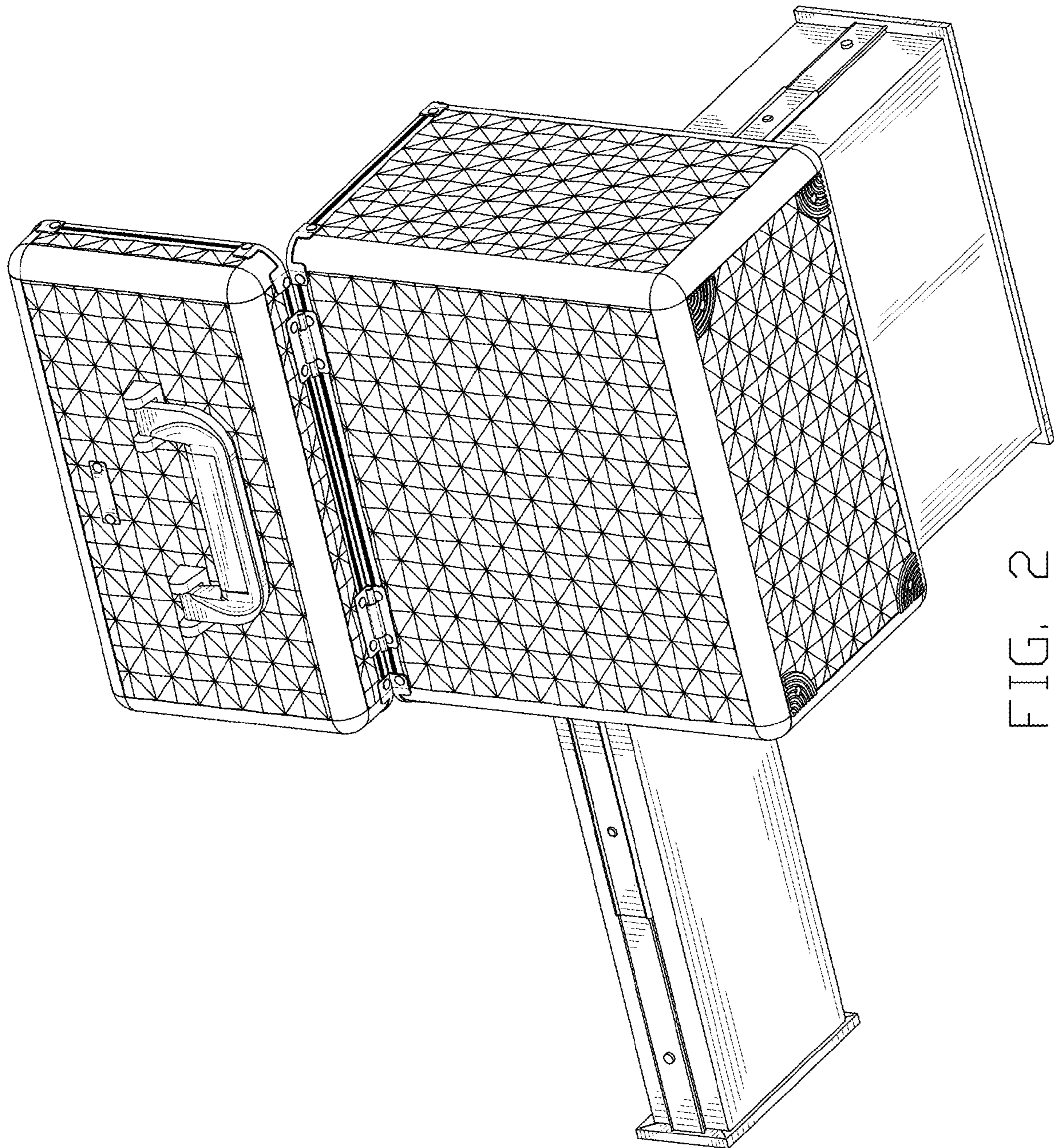


FIG. 2

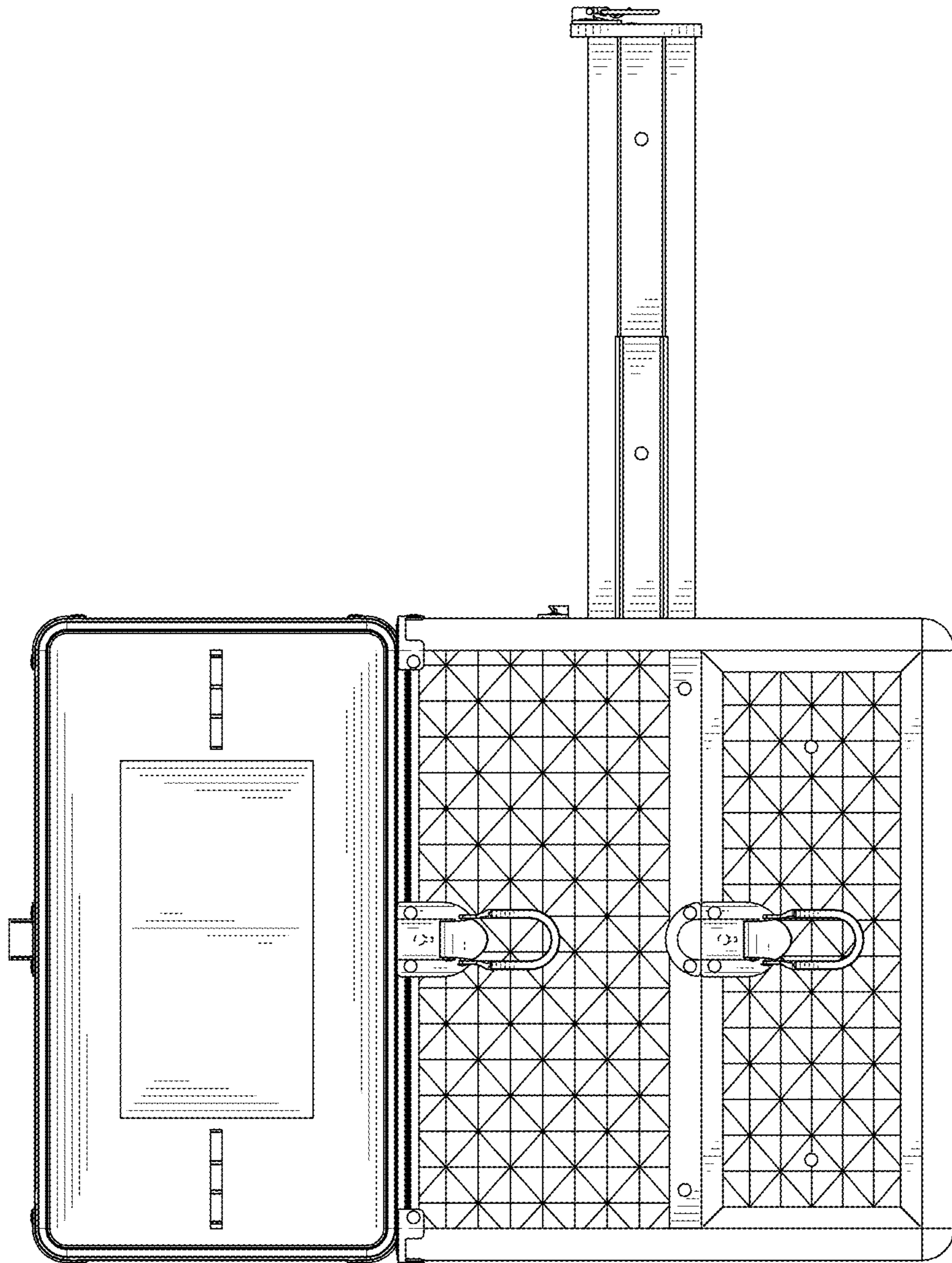


FIG. 3

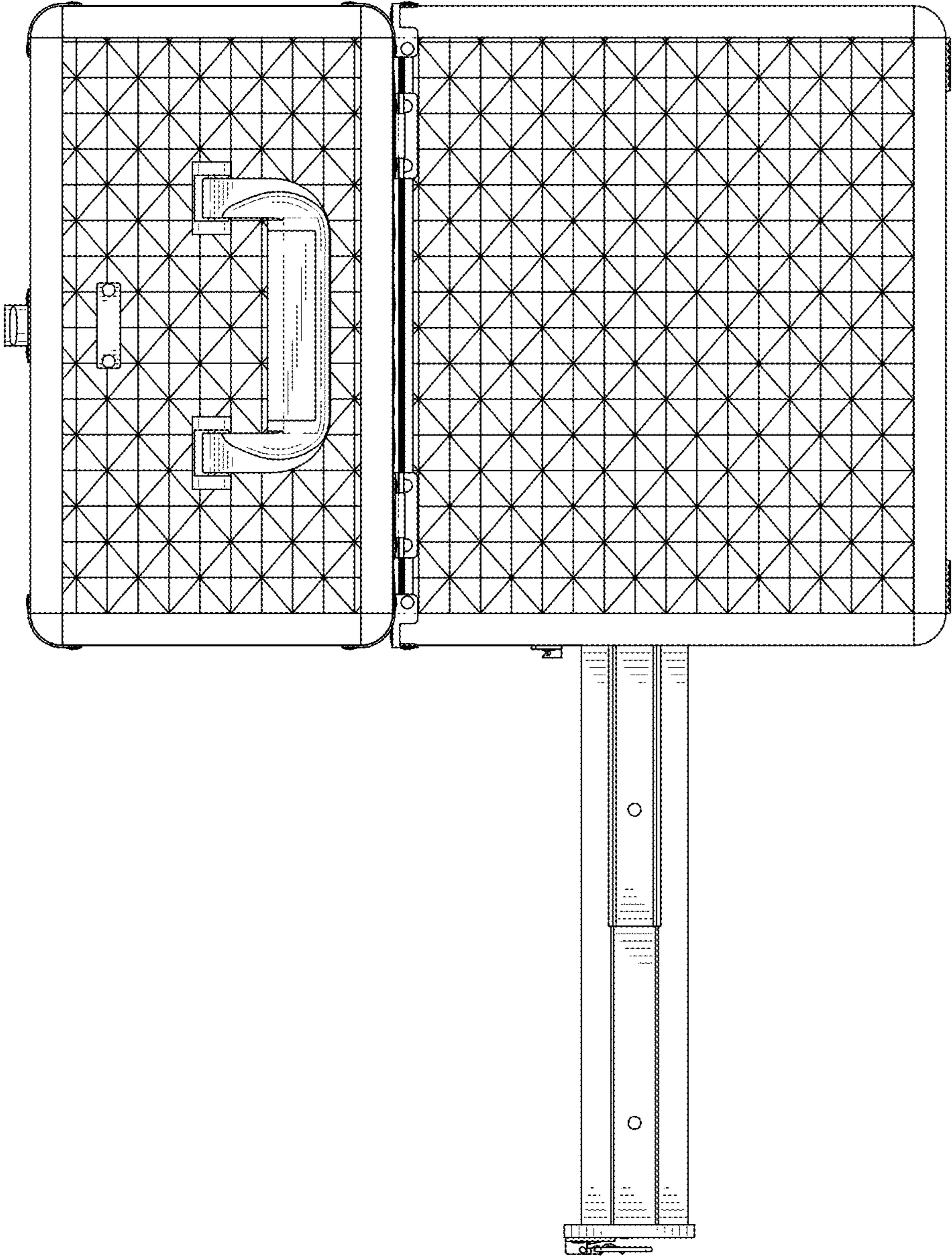


FIG. 4

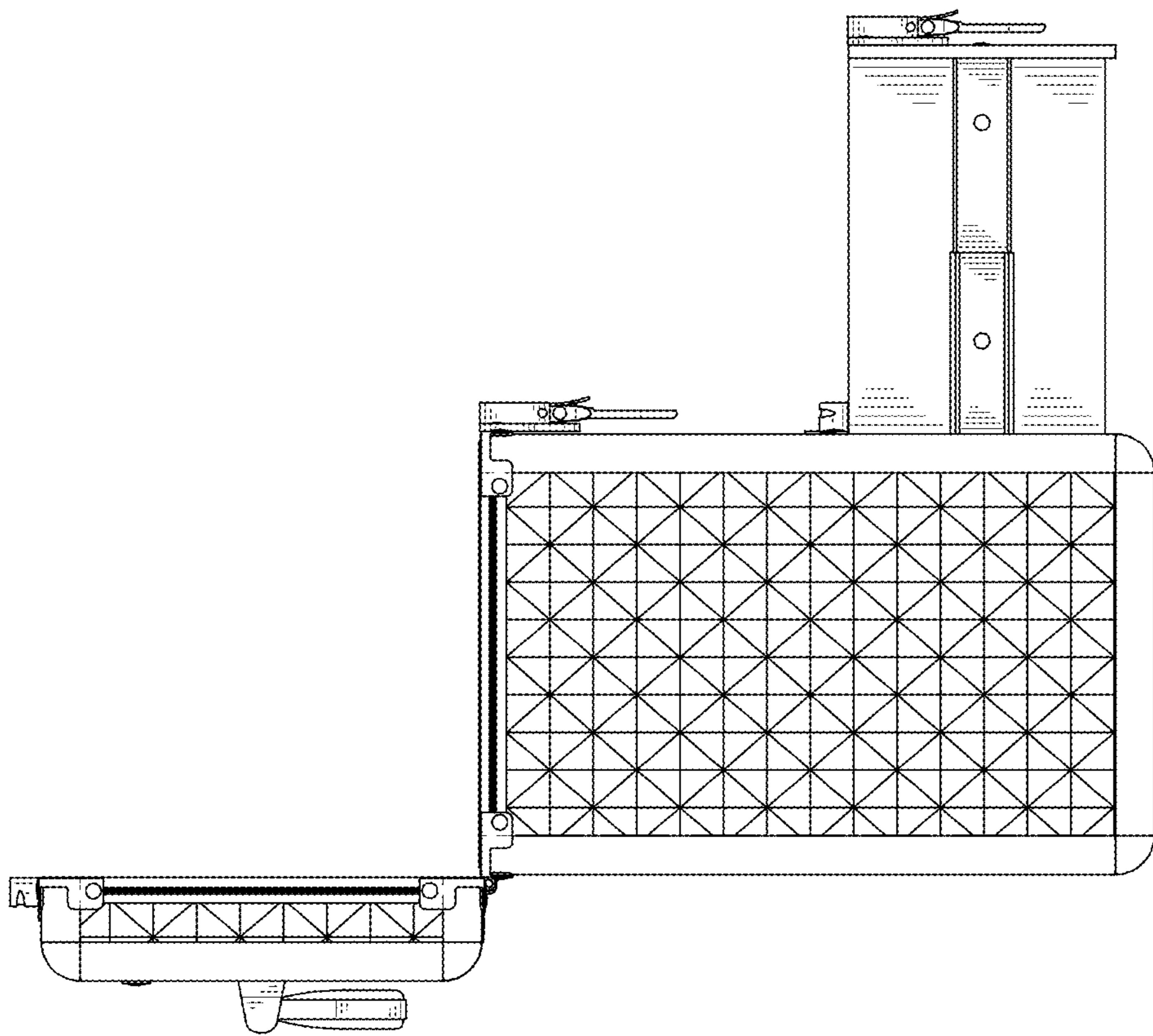


FIG. 5

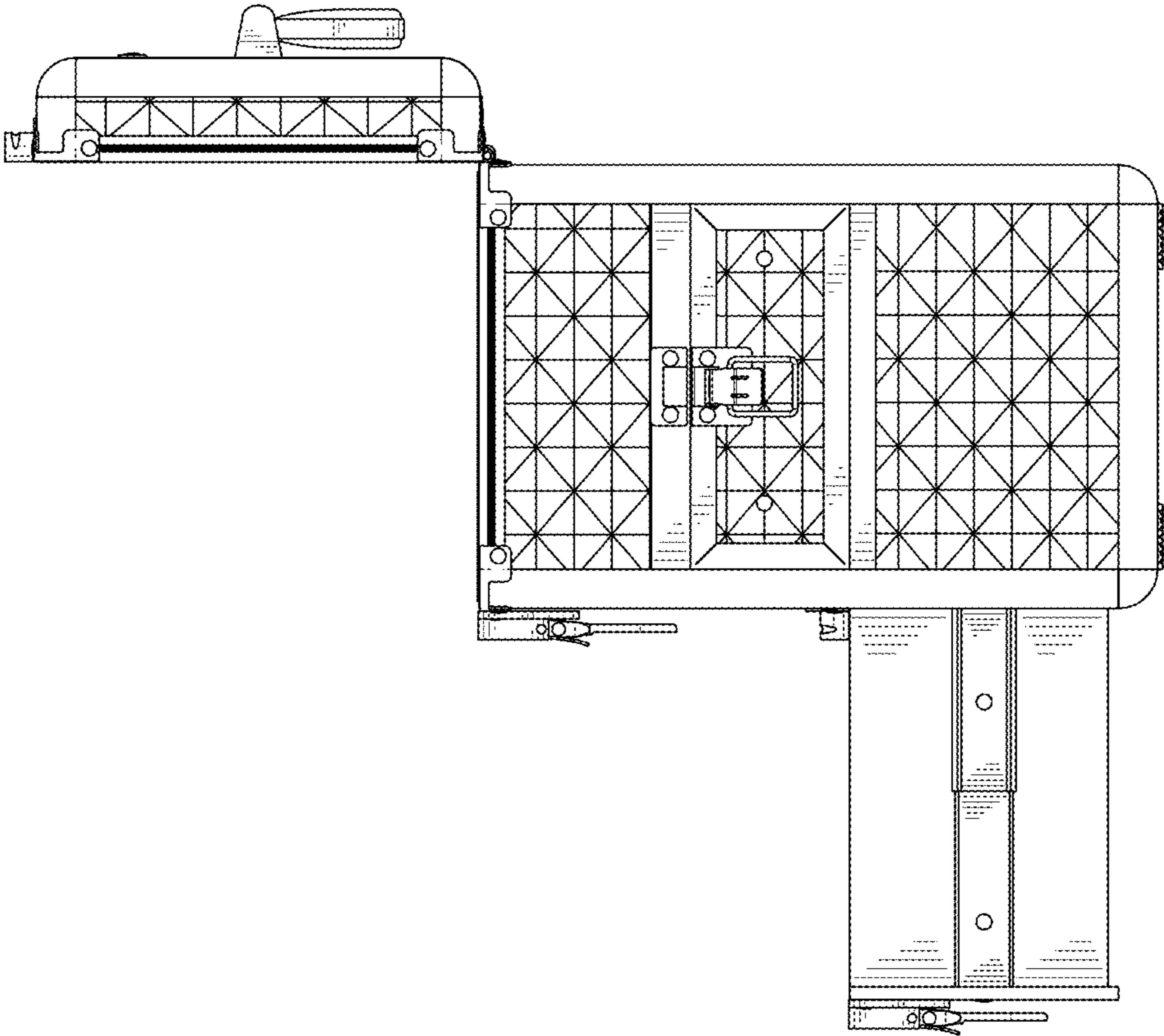


FIG. 6

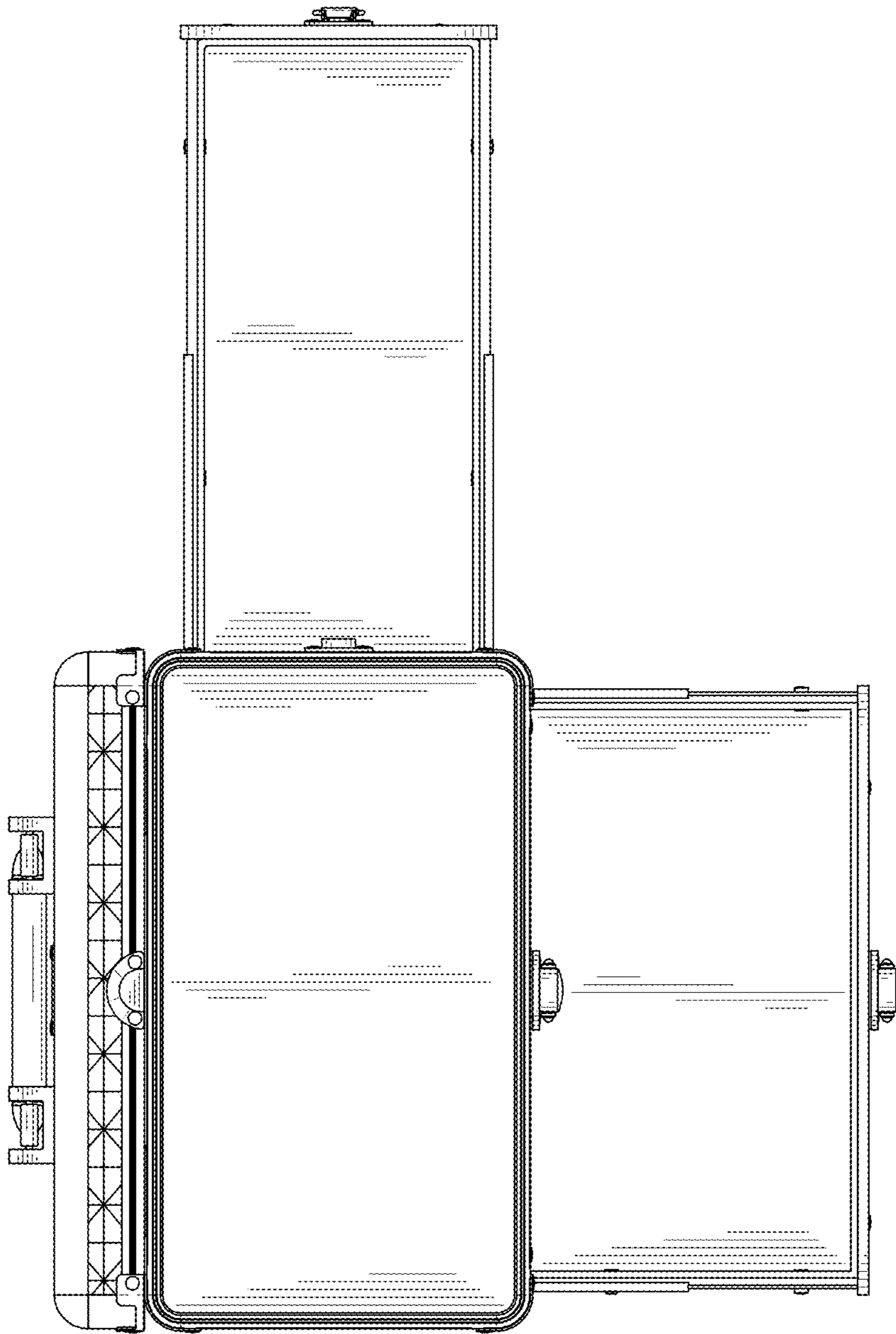


FIG. 7



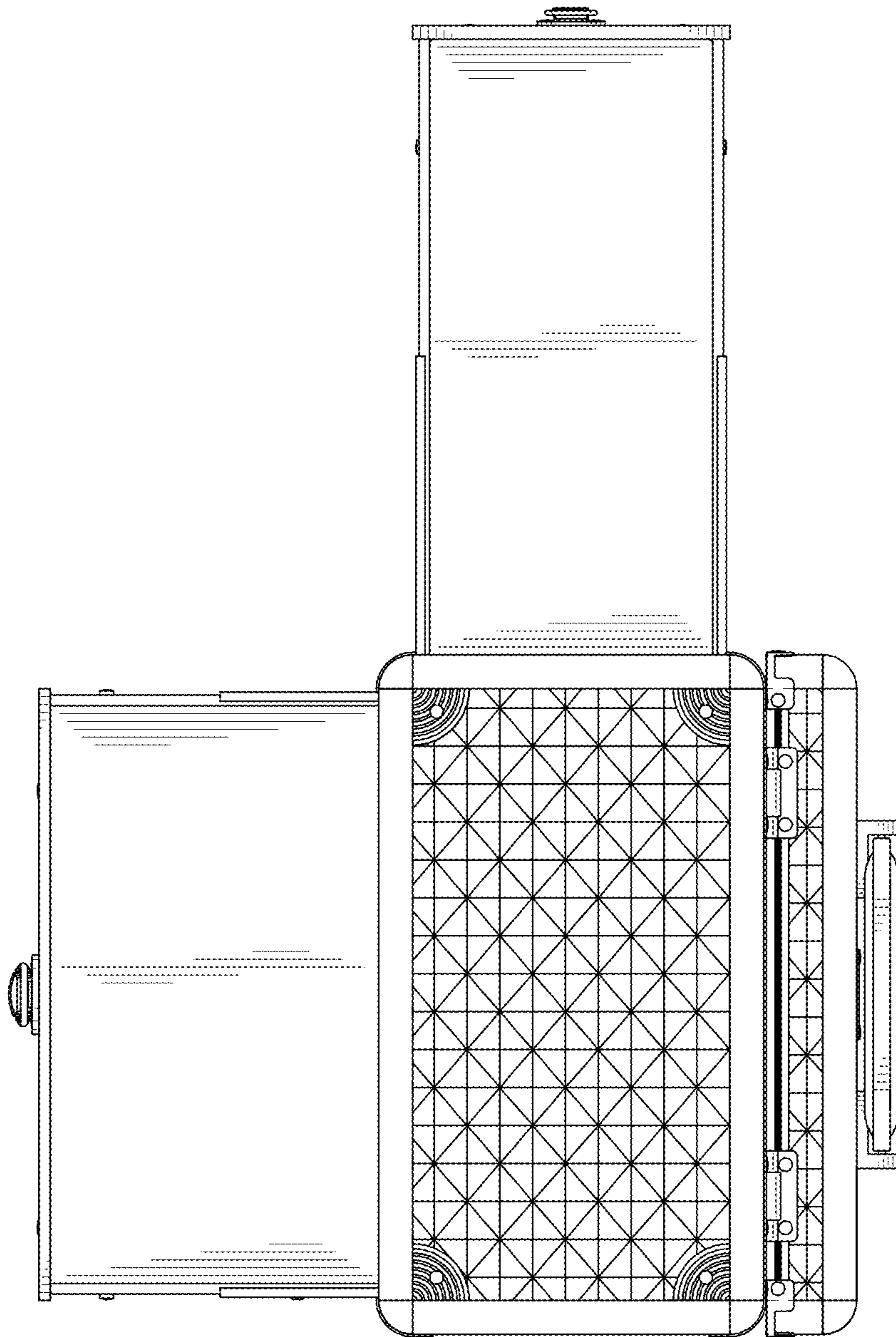


FIG. 8

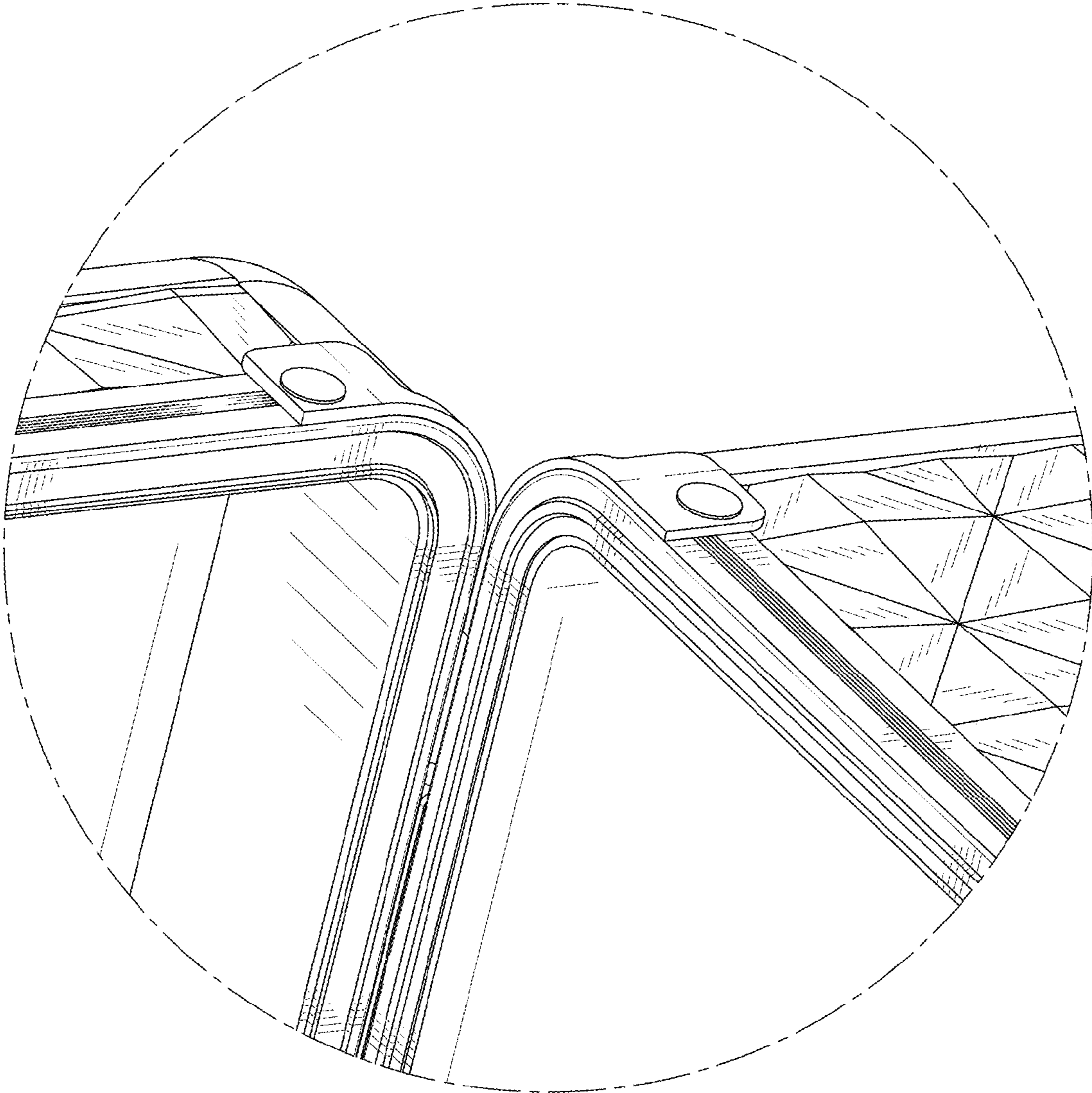


FIG. 9

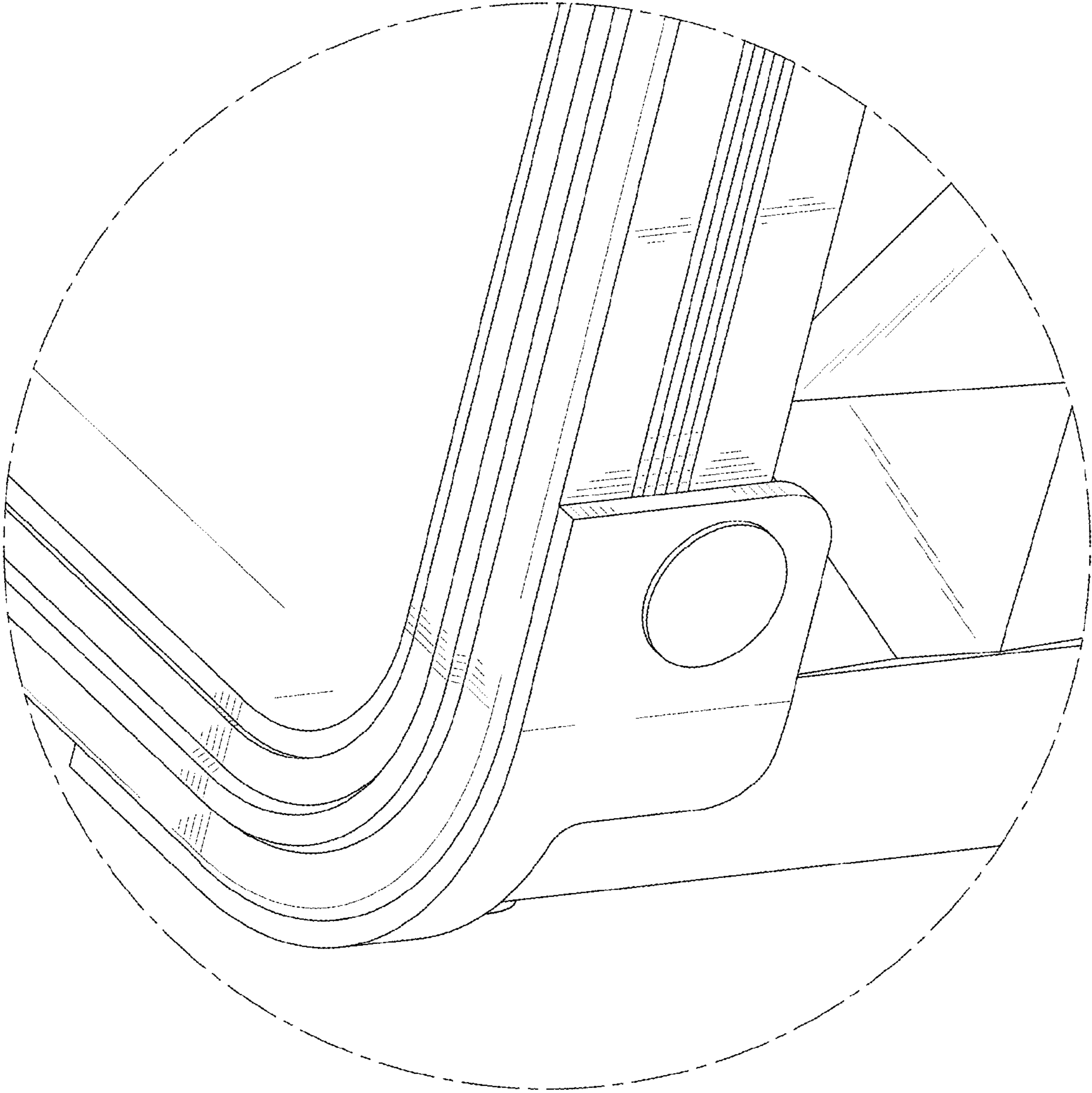


FIG. 10

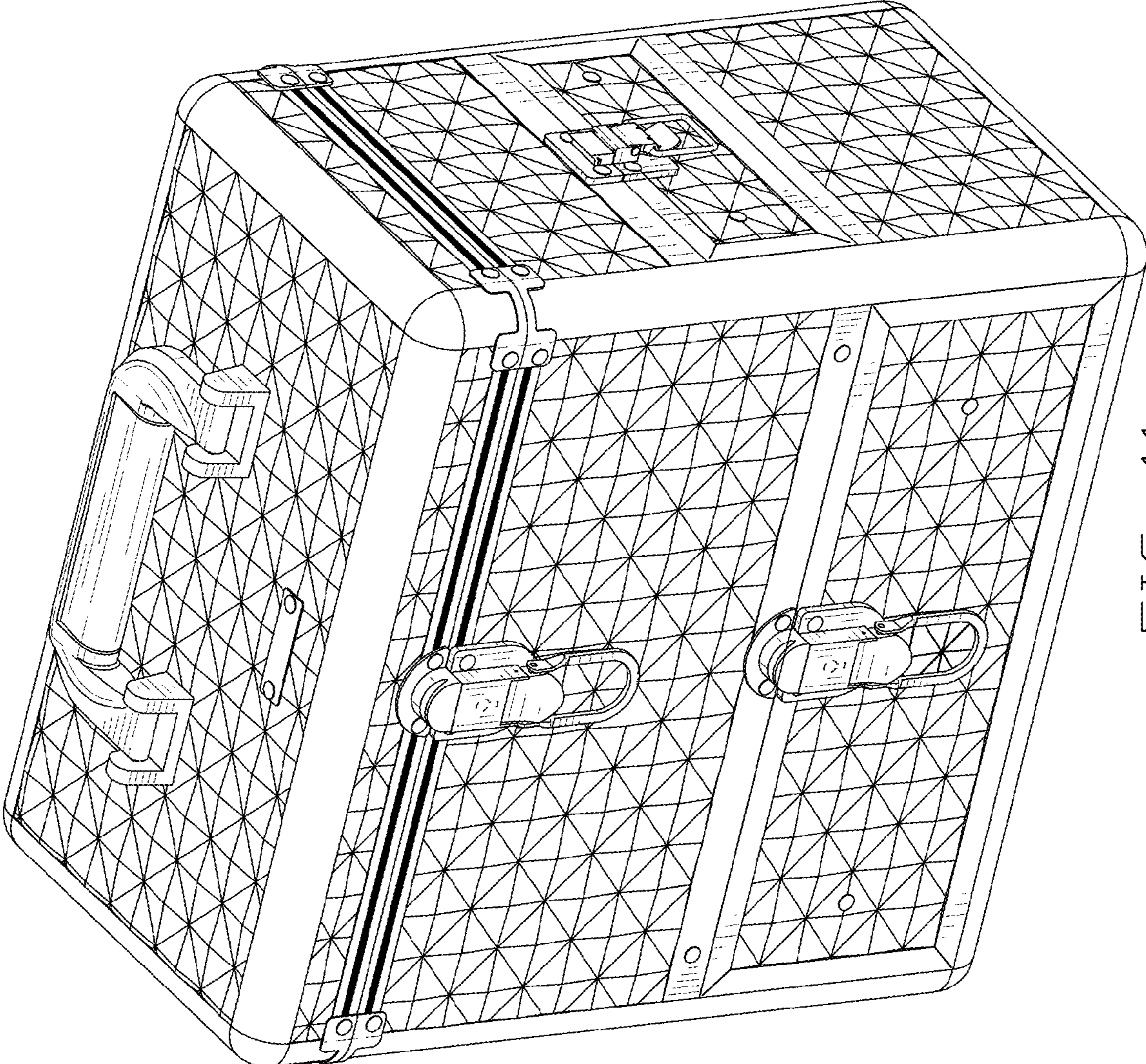


FIG. 11