



US00D985268S

(12) **United States Design Patent**
Murphy, Jr.

(10) **Patent No.:** **US D985,268 S**
(45) **Date of Patent:** **** May 9, 2023**

- (54) **EYEGLASS HOLDER**
- (71) Applicant: **H. Stetser Murphy, Jr.**, Marietta, GA (US)
- (72) Inventor: **H. Stetser Murphy, Jr.**, Marietta, GA (US)
- (**) Term: **15 Years**
- (21) Appl. No.: **29/842,331**
- (22) Filed: **Jun. 13, 2022**
- (51) **LOC (14) Cl.** **03-01**
- (52) **U.S. Cl.**
USPC **D3/266**
- (58) **Field of Classification Search**
USPC D3/207, 215, 219, 229, 263-266, 301;
D12/417; D16/330, 339; 24/3.3, 3.7,
24/3.8, 563; 206/5, 5.1, 6; 248/902;
351/112, 155; D8/394, 395, 396
CPC A45C 11/04; A45C 11/005; A47F 7/02;
A47F 7/021
See application file for complete search history.

712,819 A	11/1902	Lippincott	
727,204 A	5/1903	Rogers	
756,809 A	4/1904	Andresen	
861,234 A	7/1907	Ferguson	
1,170,508 A	2/1916	Boye	
1,188,956 A	6/1916	Little	
1,266,365 A	5/1918	Whittaker	
1,273,204 A	7/1918	Tumminello	
1,381,846 A *	6/1921	Maker	A44B 6/00 24/563
1,493,072 A	3/1922	Fricker	

(Continued)

FOREIGN PATENT DOCUMENTS

EP	0720435 B1	12/1998
WO	WO9834523 A1	8/1998
WO	WO0030488 A1	6/2000

Primary Examiner — T Chase Nelson
(74) *Attorney, Agent, or Firm* — Thomas B. McGurk

(57) **CLAIM**

The ornamental design for an eyeglass holder, as shown and described.

DESCRIPTION

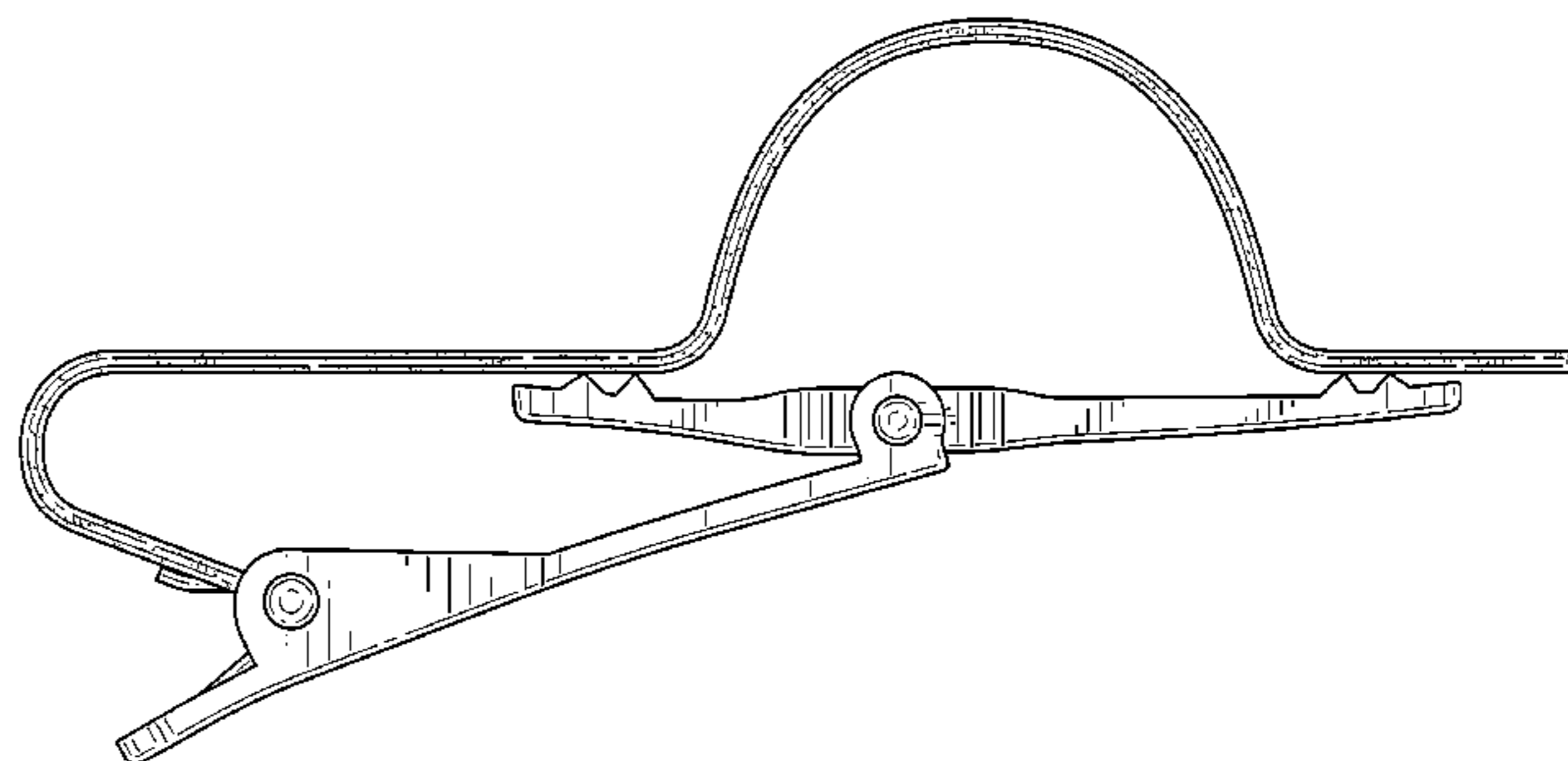
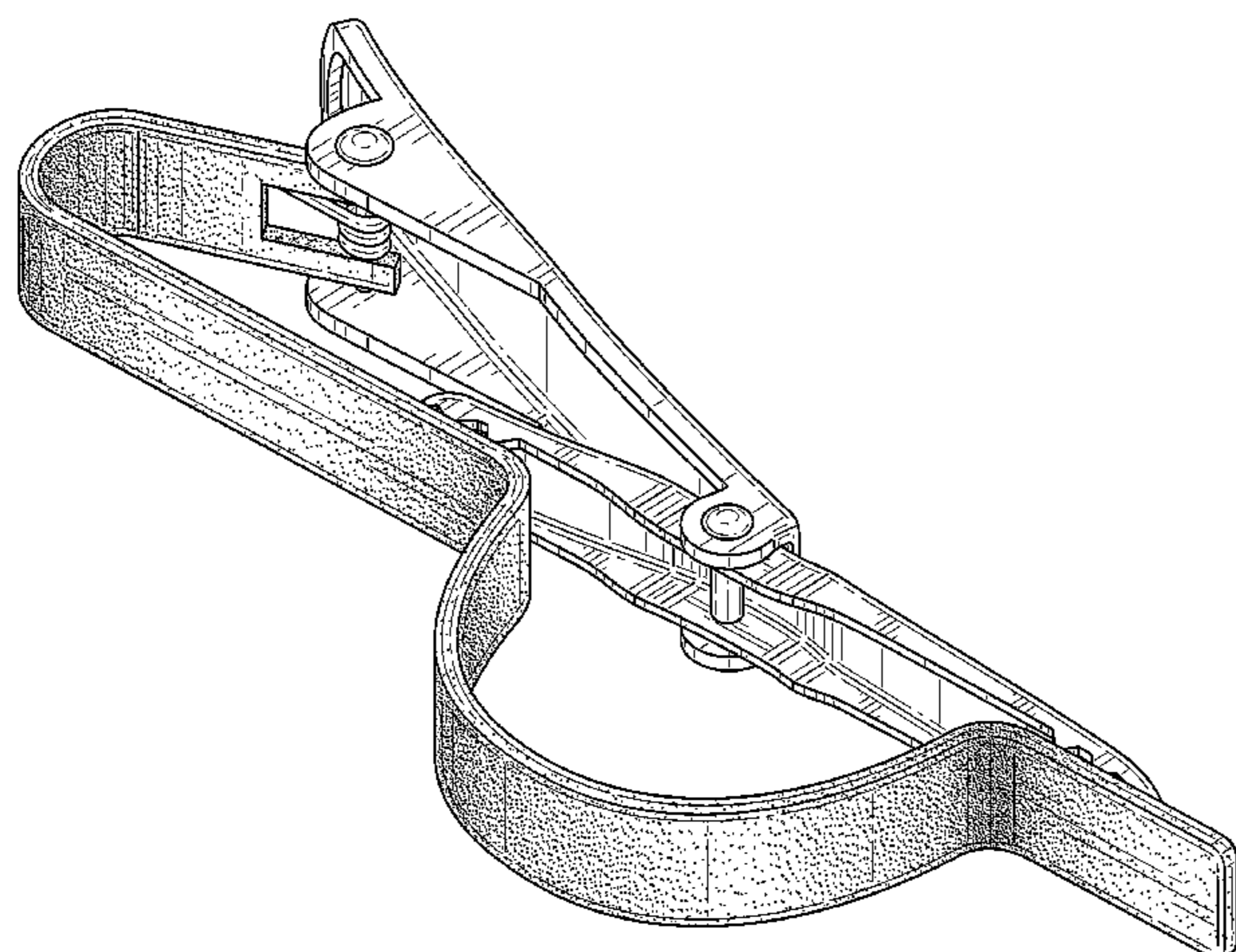
FIG. 1 is a perspective view of an eyeglass holder illustrating the claimed design.
FIG. 2 is a front view of the eyeglass holder shown in FIG. 1.
FIG. 3 is a rear view of the eyeglass holder shown in FIG. 1.
FIG. 4 is a right side view of the eyeglass holder shown in FIG. 1.
FIG. 5 is a left side view of the eyeglass holder shown in FIG. 1.
FIG. 6 is a bottom view of the eyeglass holder shown in FIG. 1; and,
FIG. 7 is a top view of the eyeglass holder shown in FIG. 1.

1 Claim, 7 Drawing Sheets

(56) **References Cited**

U.S. PATENT DOCUMENTS

6,281 A	4/1849	Hunt
218,198 A	8/1879	Smith
360,276 A	3/1887	Carpenter
374,702 A	12/1887	Rand
376,847 A	1/1888	Ball
403,608 A	5/1889	Pickhardt et al.
471,734 A	3/1892	Maier, Jr.
513,563 A	1/1894	Frisen
543,244 A	7/1895	Hills
D28,534 S	5/1898	Thomson
617,074 A	1/1899	Blumenthal
628,598 A	7/1899	Clark
D31,432 S	8/1899	Washburne
D31,930 S	12/1899	Lane
D35,134 S	10/1901	Hyatt



(56)

References Cited

U.S. PATENT DOCUMENTS

1,621,008 A	6/1923	Fricker		5,755,413 A	5/1998	Press	
1,469,317 A	10/1923	Hayward		D402,459 S	12/1998	Steinmacher	
1,501,627 A	7/1924	Silverman		D403,294 S	12/1998	Baldwin	
1,521,113 A	12/1924	Mackey		5,842,613 A	12/1998	White	
1,544,303 A	6/1925	Fellows		5,860,191 A	1/1999	Sieger	
1,679,229 A	7/1928	Rioseco		D408,097 S *	4/1999	Heydt	D8/395
D93,143 S	8/1934	Spragg		5,893,198 A	4/1999	DeCotis	
D121,700 S *	7/1940	Rawlings	D3/207	5,933,922 A	8/1999	Ochsman	
2,235,986 A	3/1941	Ellingson		5,941,487 A	8/1999	Keely	
2,262,340 A	5/1941	Shalkop		5,956,812 A	9/1999	Moennig	
2,426,644 A	2/1947	Rundell		D415,343 S	10/1999	Maddox	
D156,987 S *	1/1950	Newton	D8/395	5,966,783 A	10/1999	Genereux	
2,625,724 A	1/1953	Sampson		D416,365 S	11/1999	Case et al.	
D171,897 S	4/1954	La Barre		D416,675 S	11/1999	MacDonald	
D178,712 S	9/1956	Wilde		5,975,476 A	11/1999	Mancinelli	
2,904,895 A	9/1959	Ziegenbein		6,039,173 A	3/2000	Crow	
3,065,946 A	11/1962	Berkow		D424,418 S *	5/2000	Gary	D8/367
3,136,014 A	6/1964	Nickerson		6,076,925 A	6/2000	Kraut	
3,204,838 A	9/1965	Pulitzer		D428,330 S *	7/2000	Johnston	D8/395
3,268,966 A	8/1966	Nickerson		D436,742 S	1/2001	Mueller	
3,979,934 A	9/1976	Isenmann		D440,400 S	4/2001	Baldwin et al.	
4,043,006 A	8/1977	Williams et al.		D441,222 S	5/2001	Higazy	
D248,515 S	7/1978	Olson		D445,251 S	7/2001	Newler	
4,113,156 A	9/1978	Brito		6,260,749 B1	7/2001	Horovitz	
D252,210 S	6/1979	Zins		D447,877 S	9/2001	Shaffer	
4,157,166 A	6/1979	Voelker		D448,554 S	10/2001	Zelman	
D253,578 S *	12/1979	Fournier	D8/382	D449,424 S	10/2001	Dorner	
4,237,587 A	12/1980	Hsiao et al.		6,389,649 B1	5/2002	Metzler	
D262,417 S	12/1981	Kim		6,457,218 B1	10/2002	Lawrence	
D262,498 S	1/1982	Beilis		D470,307 S	2/2003	McCormack	
D264,789 S	6/1982	Zyla		D471,709 S	3/2003	Coyne	
D266,374 S	10/1982	Drake		6,533,414 B2	3/2003	Newler	
D271,553 S	11/1983	Kesh		6,539,587 B2	4/2003	Harrison	
D295,267 S	4/1988	Saraga		6,543,895 B2 *	4/2003	Fukai	G02C 3/04 24/3.12
D295,607 S	5/1988	Rademacher		D474,015 S	5/2003	Brown	
4,779,829 A	10/1988	Rocke et al.		6,598,268 B1	7/2003	Zelman	
D298,611 S	11/1988	Saraga		D478,630 S	8/2003	Riggins	
D298,711 S *	11/1988	Lowance	D8/395	D478,723 S	8/2003	Blanton	
4,894,887 A	1/1990	Ward, II		D479,907 S	9/2003	Ruiz	
D307,679 S	5/1990	Kolton		D480,555 S	10/2003	Bledsoe	
D310,167 S	8/1990	Reber, II		6,688,507 B2	2/2004	McCormack	
5,014,957 A	5/1991	Nochol, Jr.		6,848,207 B1	2/2005	Powell	
D318,675 S	7/1991	Ferdi		D506,056 S	6/2005	Bums	
5,033,612 A	7/1991	Bivins		6,938,304 B2	9/2005	Chen	
D319,002 S	8/1991	Mirza		D510,479 S	10/2005	Ellis	
D321,288 S	11/1991	Nichol, Jr.		D512,833 S	12/2005	Massaro, Jr.	
5,077,850 A	1/1992	Brubaker		D514,310 S	2/2006	Roye	
5,123,525 A	6/1992	Orlowski		D522,852 S	6/2006	Nawrocki	
D328,085 S	7/1992	Rickabus		D523,237 S	6/2006	Kiriakides	
5,129,617 A	7/1992	MacWilliamson		D523,330 S	6/2006	Mattesky	
D336,484 S	6/1993	Morrow		D537,329 S	2/2007	Blanton	
D337,338 S	7/1993	Chang		D545,183 S	6/2007	French et al.	
D345,052 S	3/1994	Stokke		7,303,276 B2	12/2007	Raymond	
D345,097 S	3/1994	Triangolo		7,346,934 B1	3/2008	Scott	
5,319,838 A	6/1994	Eppenauer		D567,076 S	4/2008	Ballard	
5,328,137 A	7/1994	Miller		D586,027 S	2/2009	Wykes et al.	
5,351,098 A	9/1994	McDaniels		7,487,574 B2	2/2009	Lee-Holowka et al.	
D354,677 S	1/1995	Troyer		D590,443 S	4/2009	Goldman et al.	
D358,319 S	5/1995	Porcaro		D593,757 S	6/2009	Barker	
5,423,505 A	6/1995	David		7,553,018 B1	6/2009	Riazi	
D361,032 S	8/1995	Dougan		D595,568 S	7/2009	Ellwood	
D361,260 S	8/1995	Trentham		D598,646 S	8/2009	Castaline et al.	
D364,269 S	11/1995	Sabosky		7,568,250 B2	8/2009	Mernard-Flanagan	
D364,279 S	11/1995	Hoffman		D599,105 S	9/2009	Castaline et al.	
D371,999 S	7/1996	Song		D602,687 S	10/2009	Castline et al.	
D372,937 S	8/1996	Anders		7,607,627 B1	10/2009	Mchatet	
5,551,126 A	9/1996	Wallo		D603,604 S	11/2009	DeSario	
D374,344 S	10/1996	Sunderland		D605,398 S	12/2009	Rodriguez	
5,592,244 A	1/1997	Vyhmeister		D605,944 S	12/2009	Hundertmark	
5,619,774 A	4/1997	Perry		D612,231 S	3/2010	Peng	
D382,105 S	8/1997	Bonaldi		D620,785 S	8/2010	St. Germaine	
D386,123 S	11/1997	Fletcher		D623,457 S	9/2010	Chen	
5,697,131 A	12/1997	Hunt et al.		7,850,302 B1	12/2010	Riazi	
5,699,140 A	12/1997	Fuhrman		D634,117 S	3/2011	Morrish	
D394,545 S	5/1998	MacDonald		D636,189 S	4/2011	Dickinson	
				D641,153 S	7/2011	Van Den Hurk	
				D643,212 S	8/2011	Rathbun	
				D649,348 S	11/2011	Murphy, Jr.	

(56)

References Cited

U.S. PATENT DOCUMENTS

D649,581 S	11/2011	Foulger		D771,371 S	11/2016	Taylor	
D650,827 S	12/2011	Northington		D779,199 S	2/2017	Murphy, Jr.	
D652,830 S	1/2012	Nazar		D781,571 S *	3/2017	Moerer	A45F 5/02
D661,091 S	6/2012	Murphy, Jr.					D8/395
D668,042 S	10/2012	Nannestad		D798,139 S *	9/2017	Giannatti	D8/394
D670,903 S	11/2012	Ormsbee		D822,383 S	7/2018	Murphy, Jr.	
D674,590 S	1/2013	Busch		D836,337 S *	12/2018	Stark	A45F 5/02
8,381,359 B1 *	2/2013	McArdle	A45F 5/02				D3/266
			24/3.12	D908,595 S *	1/2021	Chen	D12/417
8,469,511 B2	6/2013	Miller et al.		D939,335 S *	12/2021	Kennedy	D8/395
D685,986 S	7/2013	Lazott et al.		D960,700 S *	8/2022	Ferguson	A44B 6/00
D686,062 S	7/2013	Thompson					D8/395
D686,910 S	7/2013	Towell, Jr.		2002/0131016 A1	9/2002	Newler	
D696,105 S *	12/2013	Devilliers	D8/395	2002/0170147 A1	11/2002	Heller	
D699,556 S	2/2014	Hendricks		2003/0131449 A1	7/2003	McCormack	
D706,124 S	6/2014	Banasik et al.		2003/0014845 A1	11/2003	Harrison	
D707,444 S	6/2014	Murphy, Jr.		2003/0229971 A1	12/2003	Coyne	
D707,445 S	6/2014	Murphy, Jr.		2004/0025216 A1	2/2004	Marogil	
8,739,368 B2	6/2014	Murphy, Jr.		2005/0146676 A1	7/2005	Silvestro	
D708,861 S	7/2014	Doenges		2005/0241115 A1	11/2005	Zoullas	
D710,097 S	8/2014	Forbus et al.		2006/0055866 A1	3/2006	Dietz	
D710,595 S	8/2014	Clifton, Jr.		2006/0059668 A1	3/2006	Kessler	
D717,541 S	11/2014	Forbus et al.		2007/0006425 A1	1/2007	Woodbury	
8,914,949 B2	12/2014	Thomson et al.		2008/0010782 A1	1/2008	Sturdy	
D727,139 S	4/2015	Johnston		2009/0019671 A1	1/2009	Trullas	
D732,009 S	6/2015	Bak		2009/0025186 A1	1/2009	Lee-Holowka et al.	
D739,612 S	9/2015	Kronebusch		2009/0126159 A1	5/2009	Murphy, Jr.	
D742,732 S	11/2015	Vinsonhaler		2009/0083945 A1	11/2009	Huang	
D745,776 S	12/2015	Perreault		2009/0284709 A1	11/2009	Dobrowsky	
D754,964 S	5/2016	Hernandez		2010/0180406 A1	7/2010	Bianco et al.	
D756,644 S	5/2016	Murphy, Jr.		2011/0220691 A1	9/2011	Kahn	
D770,725 S	11/2016	Warner		2011/0277276 A1	11/2011	Pucci	
D770,887 S	11/2016	Sudol et al.		2012/0272483 A1	11/2012	Moore	
				2014/0317887 A1	10/2014	Santilli	
				2016/0025996 A1	1/2016	Bacon	
				2016/0058210 A1	3/2016	Strassburger	

* cited by examiner

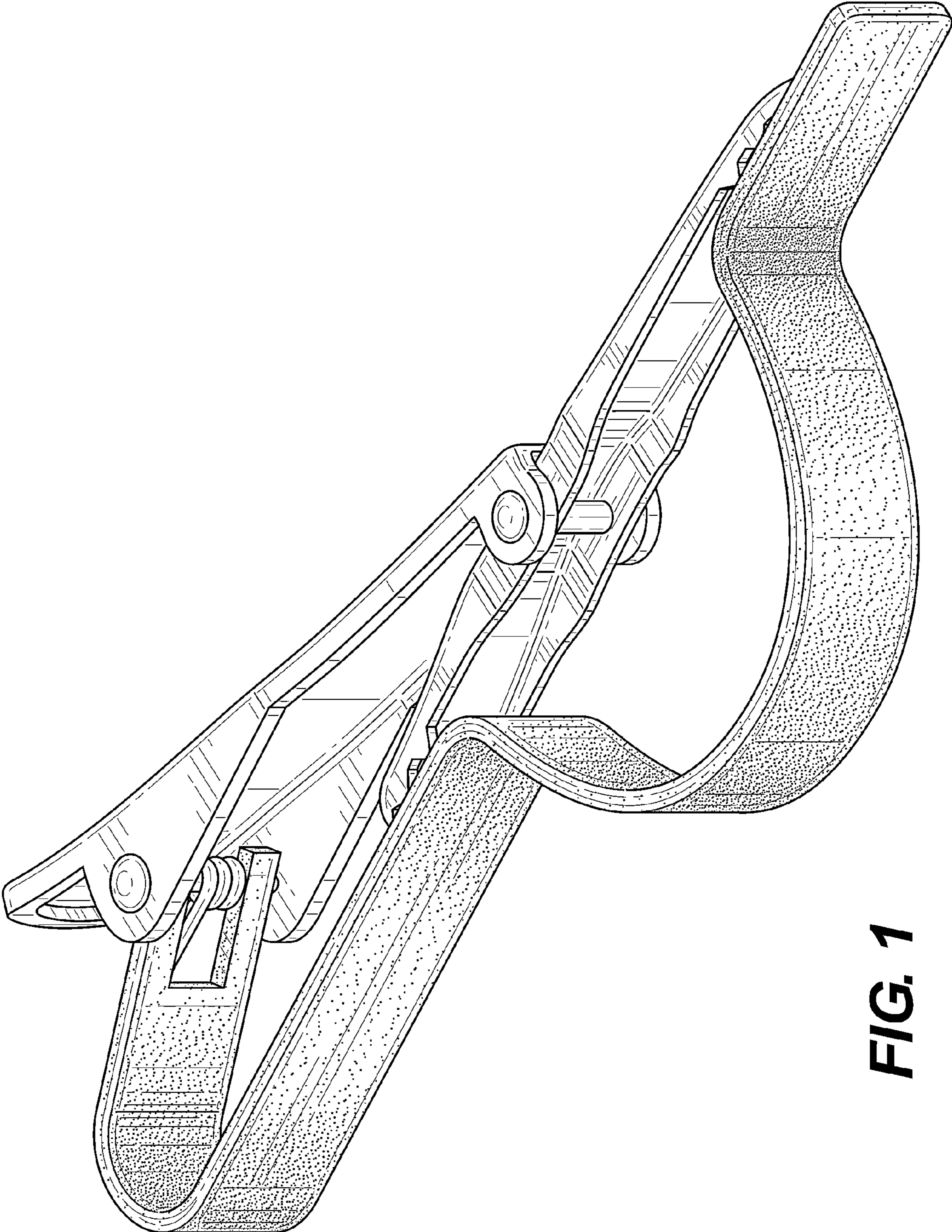


FIG. 1

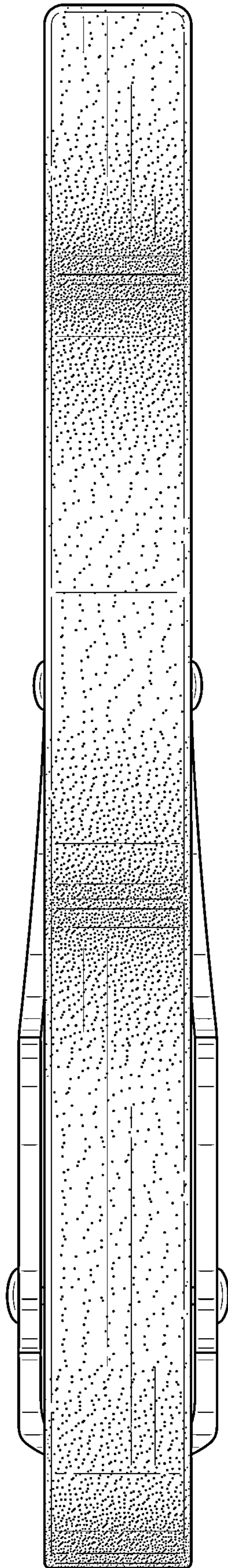


FIG. 2

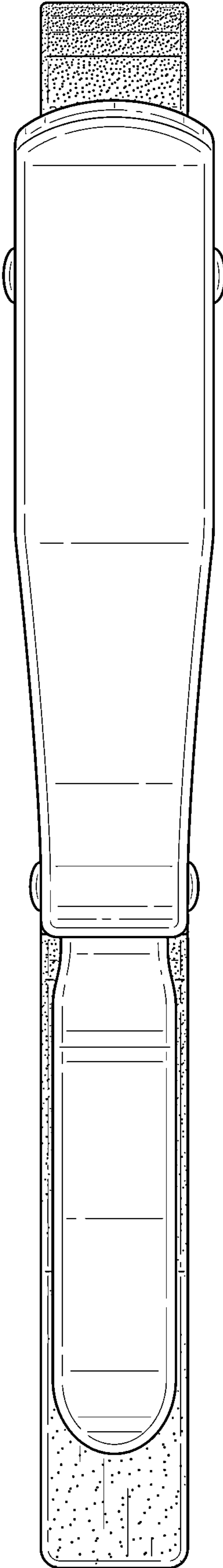


FIG. 3

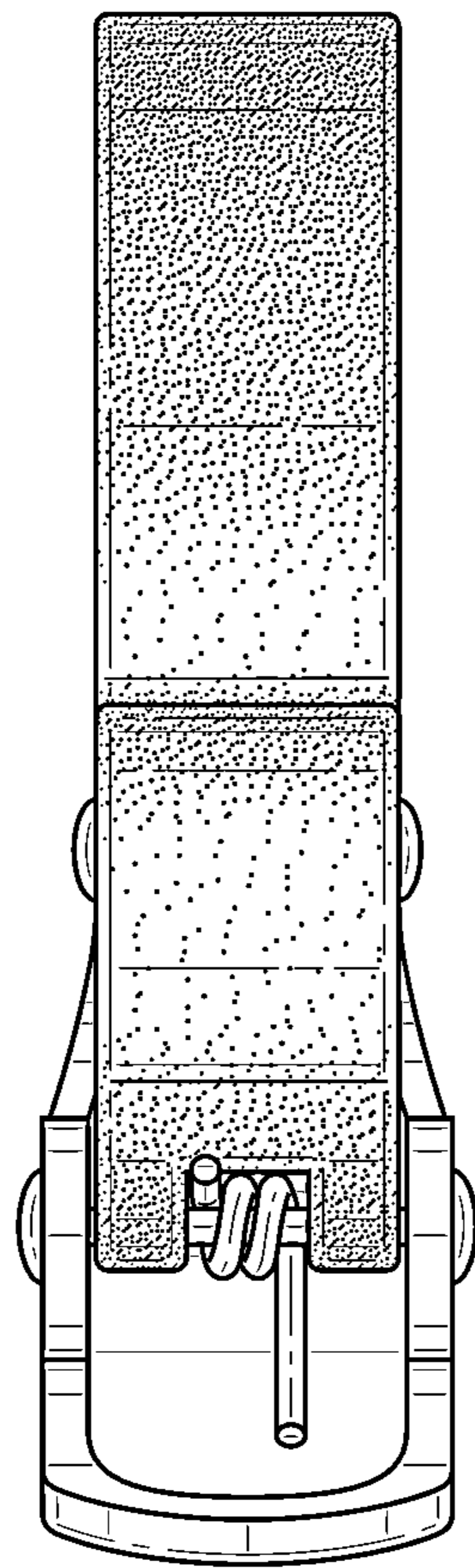


FIG. 4

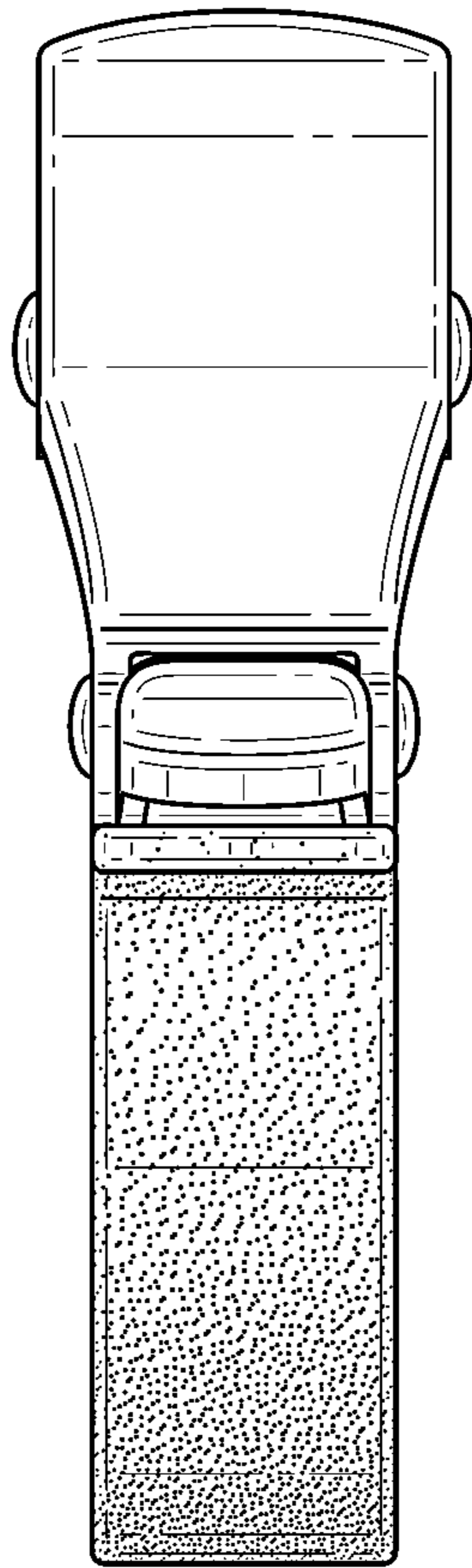


FIG. 5

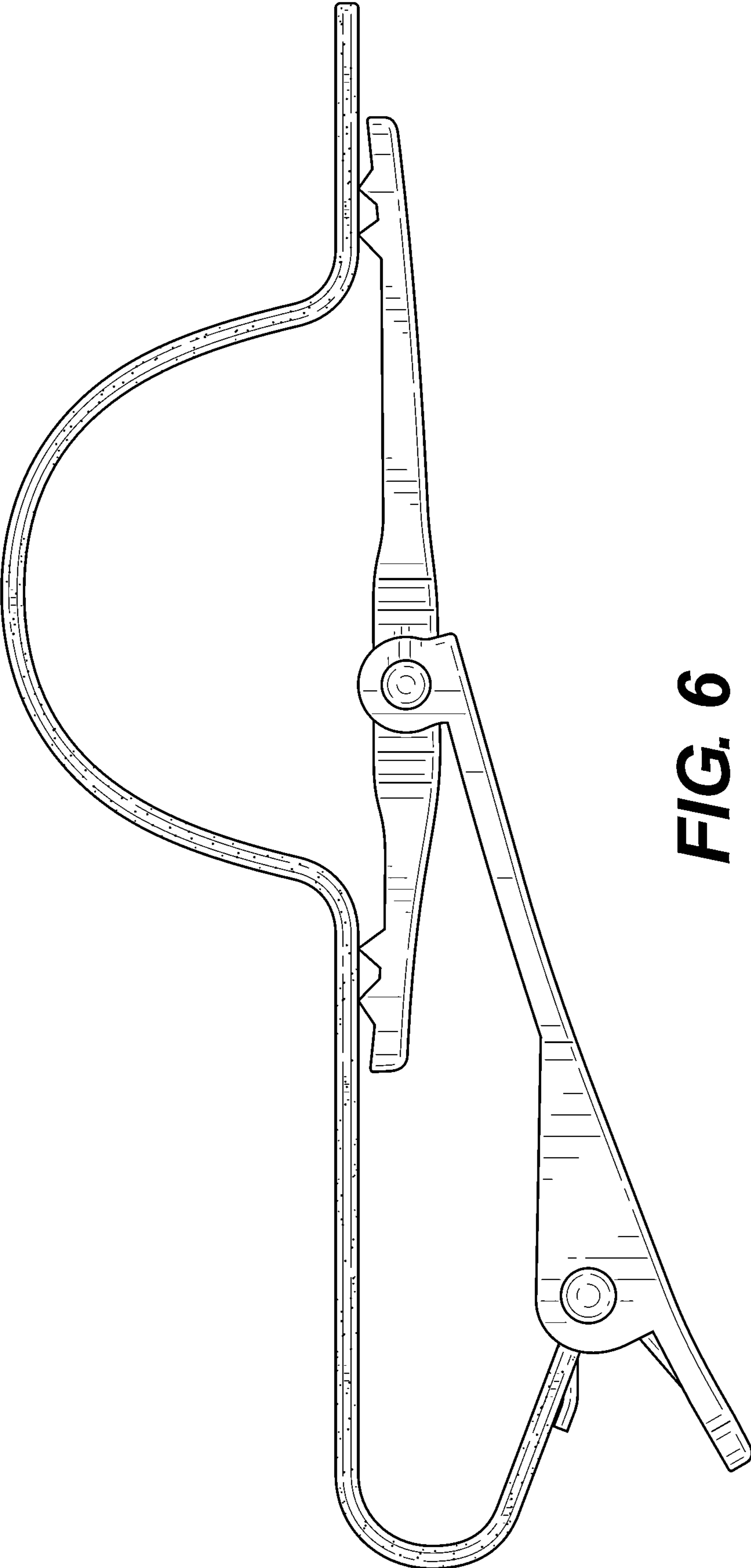


FIG. 6

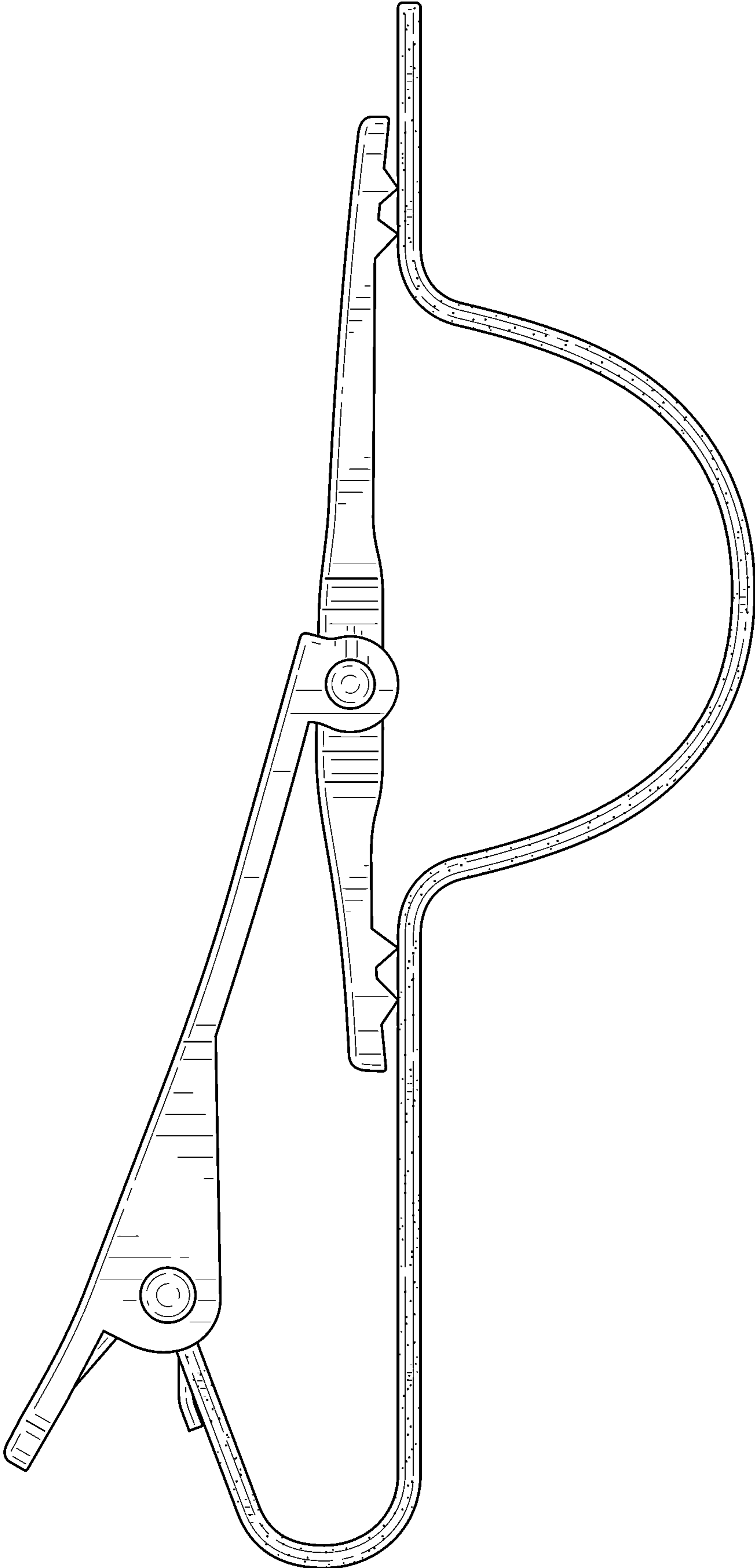


FIG. 7