



US00D985266S

(12) **United States Design Patent** (10) **Patent No.:** **US D985,266 S**  
**Liang** (45) **Date of Patent:** **\*\* May 9, 2023**

- (54) **WOMEN'S WALLET**
- (71) Applicant: **Wenyu Liang**, Foshan (CN)
- (72) Inventor: **Wenyu Liang**, Foshan (CN)
- (\*\*) Term: **15 Years**
- (21) Appl. No.: **29/846,847**
- (22) Filed: **Jul. 20, 2022**
- (51) **LOC (14) Cl.** ..... **03-01**
- (52) **U.S. Cl.**  
USPC ..... **D3/247**  
CPC ..... **A45C 1/06** (2013.01)
- (58) **Field of Classification Search**  
USPC ..... D3/247-253; D14/203.3-203.7, 439,  
D14/447, 241-253, 217, 240, 238.1, 440  
CPC ..... G09F 3/207; A45C 11/182; A45C 1/06;  
A45C 2001/065; A45C 2001/067; A45C  
11/18; A45C 2011/188; A45C 2011/186  
See application file for complete search history.

(56) **References Cited**

**U.S. PATENT DOCUMENTS**

D381,509 S *	7/1997	Miller	.....	D3/251
D703,433 S *	4/2014	Morszeck	.....	D3/247
D715,545 S *	10/2014	McDaniel	.....	D3/247
D818,708 S *	5/2018	An	.....	D3/247
D822,989 S *	7/2018	Persson	.....	D3/249
D858,984 S *	9/2019	Zucco	.....	D3/247
D878,039 S	3/2020	Cantoli-Alves et al.		
D884,340 S *	5/2020	Snover	.....	D3/249
D889,122 S	7/2020	Fitzgerald		
D892,107 S *	8/2020	Zhao	.....	D14/250
D903,314 S *	12/2020	Liu	.....	D3/249
D903,315 S *	12/2020	Liu	.....	D3/249
D904,015 S *	12/2020	Zhang	.....	D3/247
D908,676 S *	1/2021	Feng	.....	D3/249
D917,442 S *	4/2021	Feng	.....	D3/249
D918,887 S *	5/2021	Feng	.....	D3/249

D927,179 S *	8/2021	Zhou	.....	D3/247
D946,275 S *	3/2022	Dumas	.....	B65D 25/04
				D3/247
D956,033 S *	6/2022	Hu	.....	D14/250
D961,922 S *	8/2022	Zhang	.....	D3/247
D965,578 S *	10/2022	Liu	.....	D14/249
D968,804 S *	11/2022	Hu	.....	D3/249
D970,888 S *	11/2022	Liu	.....	A45C 11/00
				D3/249
D971,909 S *	12/2022	Min	.....	D3/249

\* cited by examiner

*Primary Examiner* — Richard E Chilcot

(74) *Attorney, Agent, or Firm* — Rumit Ranjit Kanakia

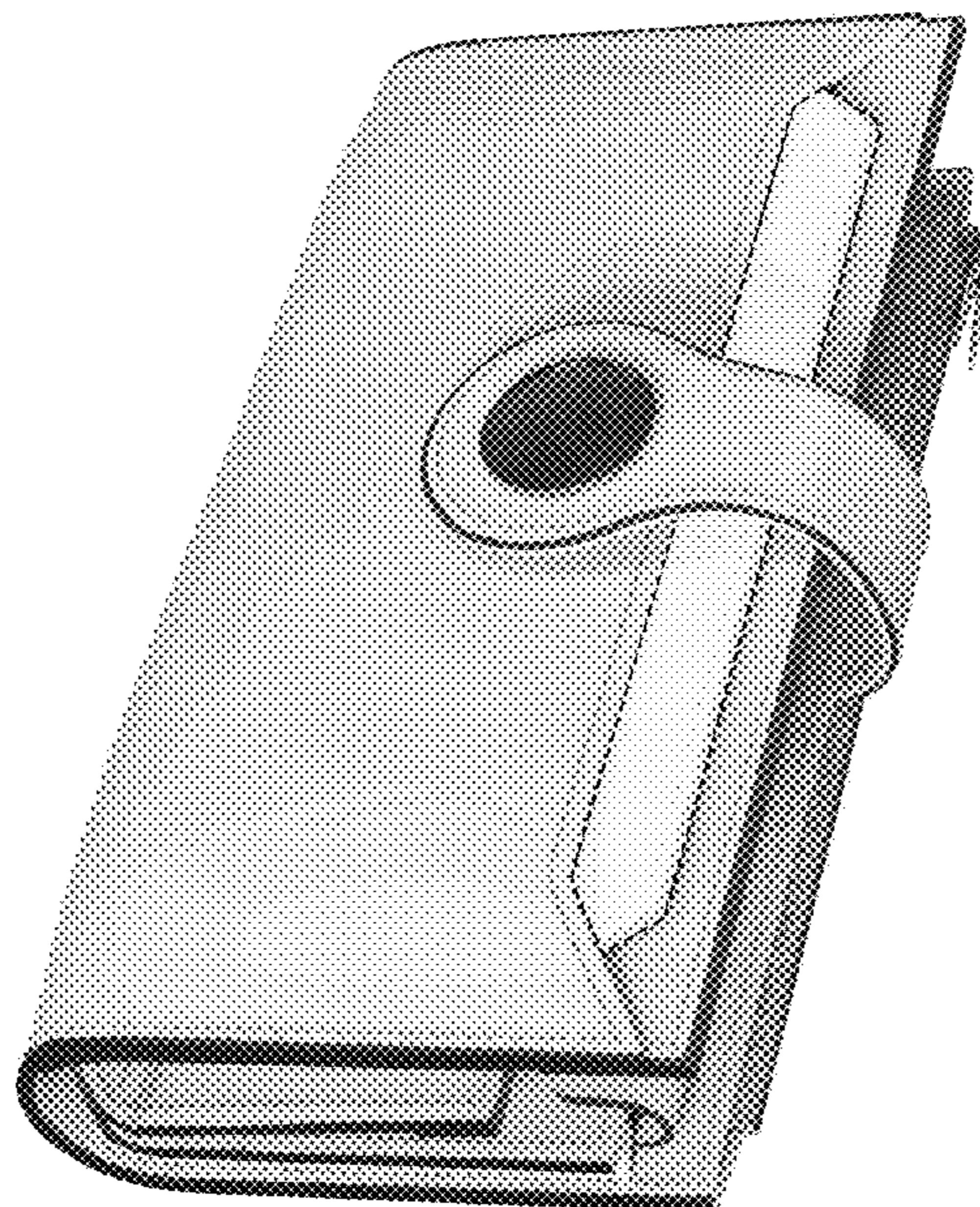
(57) **CLAIM**

The ornamental design for a women's wallet, as shown and described.

**DESCRIPTION**

FIG. 1 is a first perspective view of a women's wallet showing my new design;  
 FIG. 2 is a second perspective view thereof;  
 FIG. 3 is a front view thereof;  
 FIG. 4 is a back view thereof;  
 FIG. 5 is a left side view thereof;  
 FIG. 6 is a right side view thereof;  
 FIG. 7 is a top view thereof;  
 FIG. 8 is a bottom view thereof;  
 FIG. 9 is a perspective view of another state of the women's wallet thereof;  
 FIG. 10 is a perspective view of another state of the women's wallet thereof; and,  
 FIG. 11 is an exploded view of the women's wallet thereof. Areas demarcated by evenly broken line show in the drawings of the women's wallet is for the purpose of illustrating portions of the article that forms no part of the claimed design.

**1 Claim, 11 Drawing Sheets**



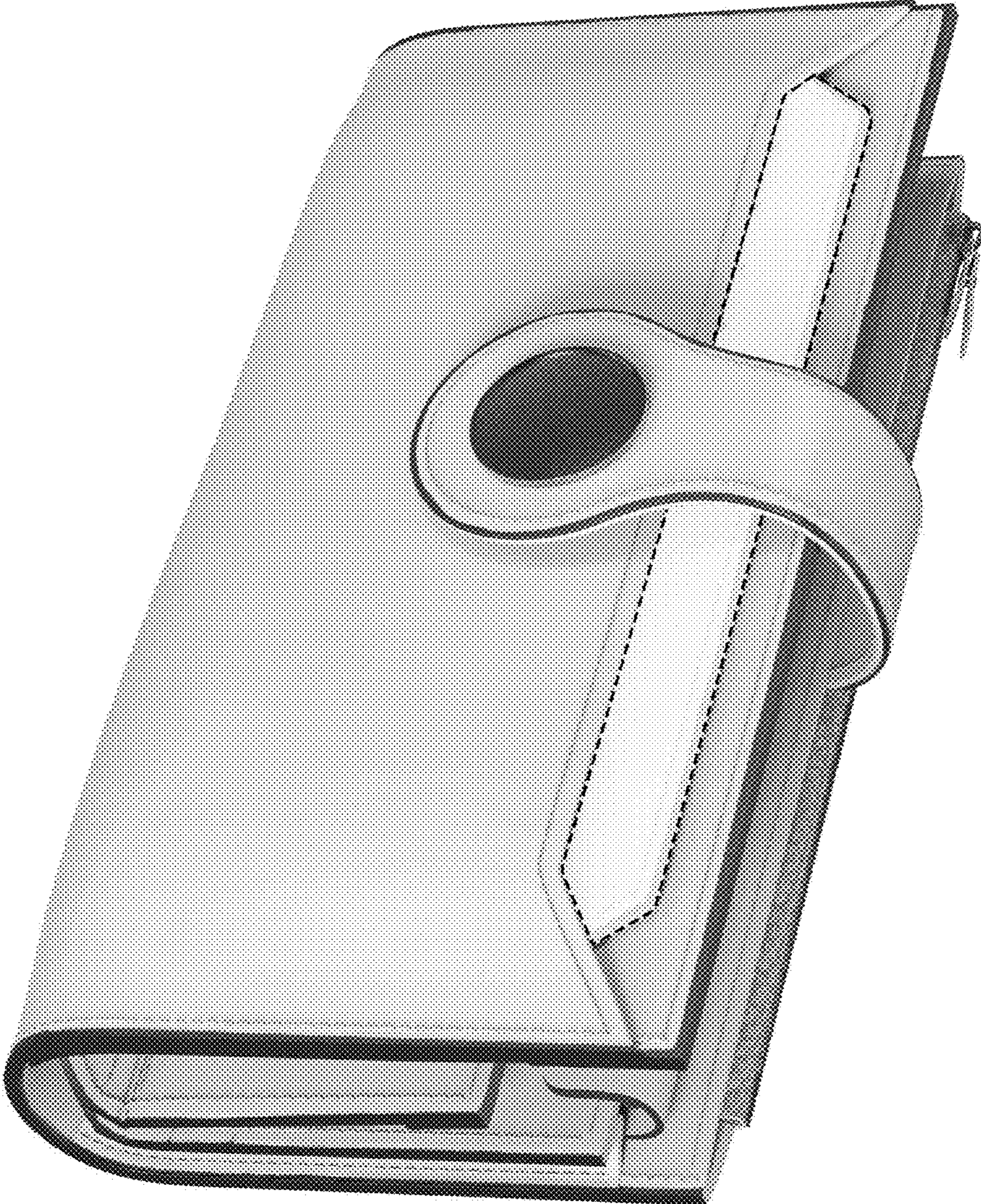


FIG. 1

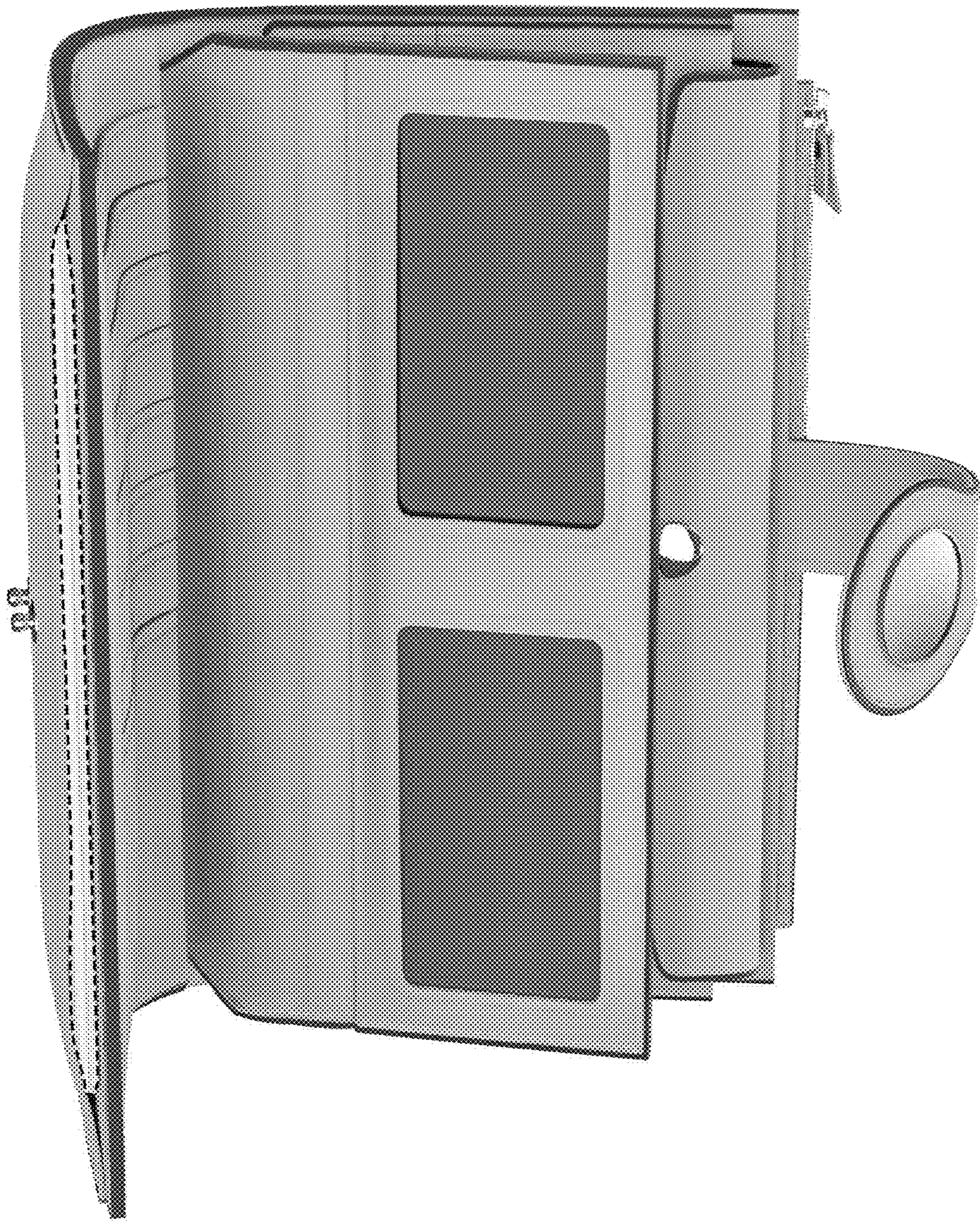


FIG.2

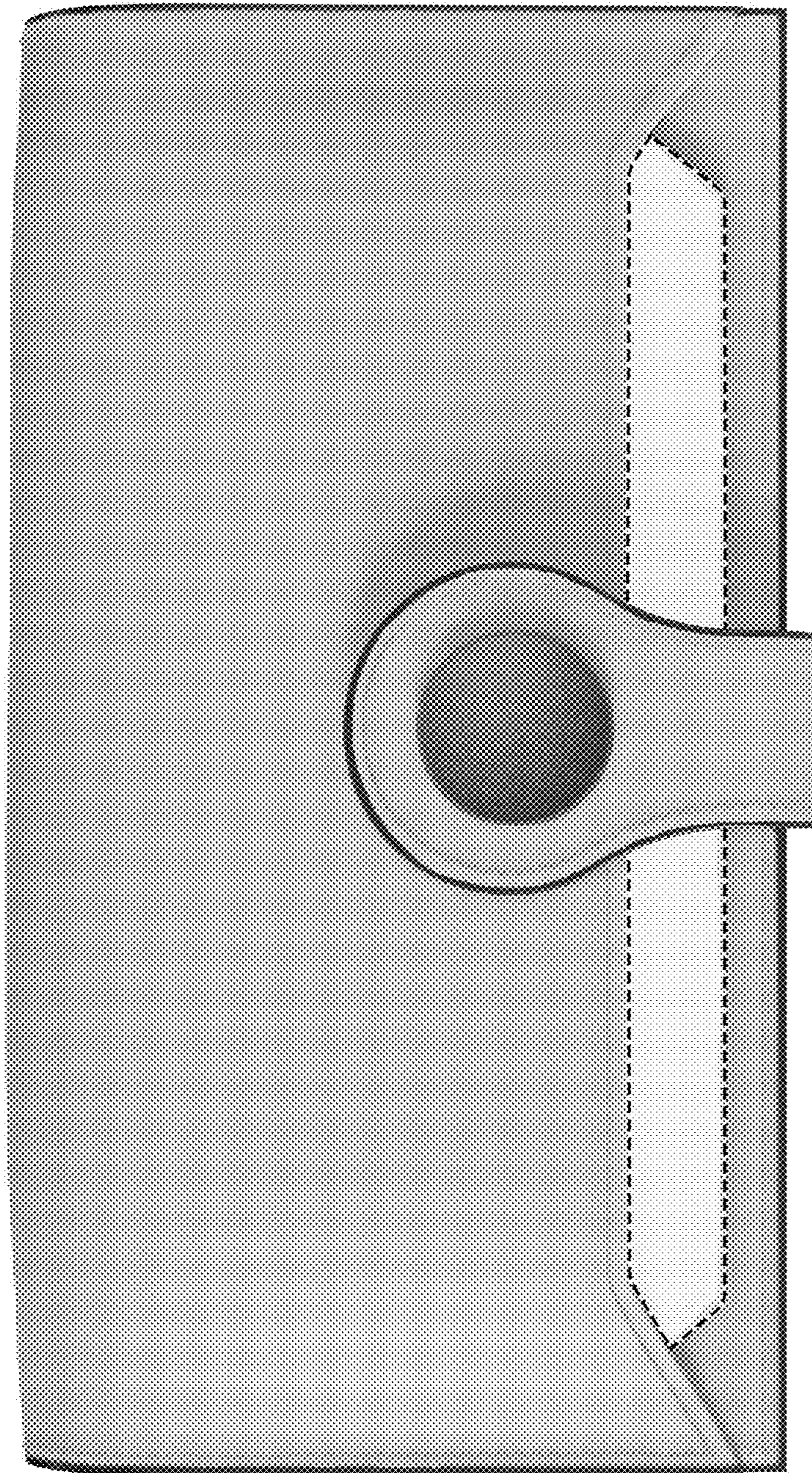


FIG.3

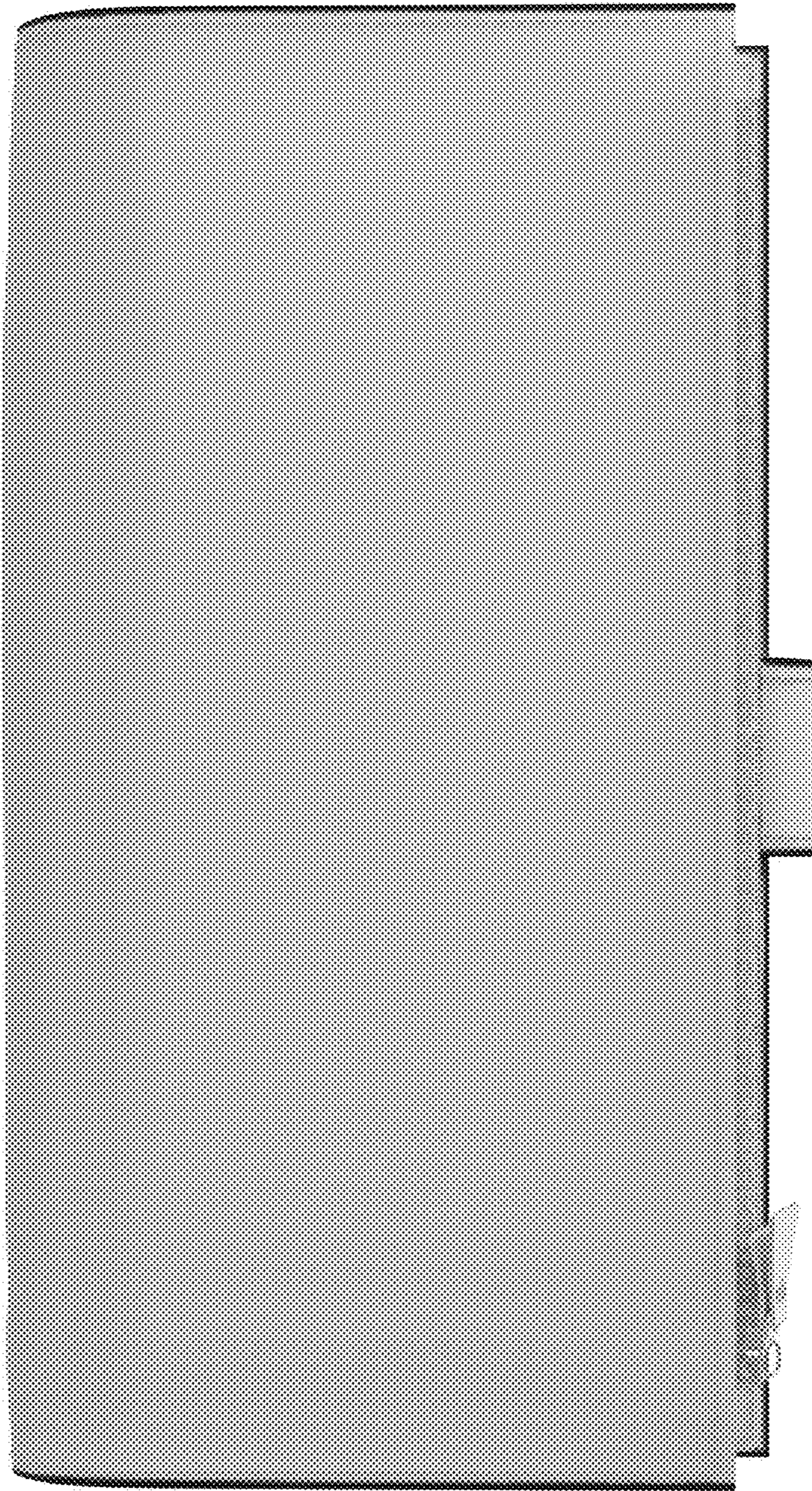


FIG.4

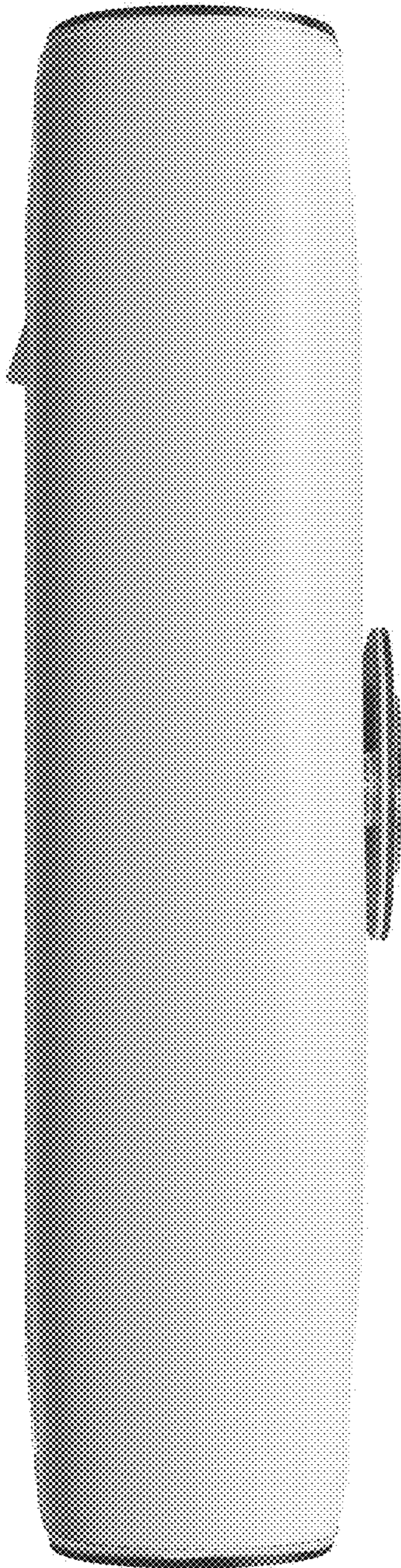


FIG. 5

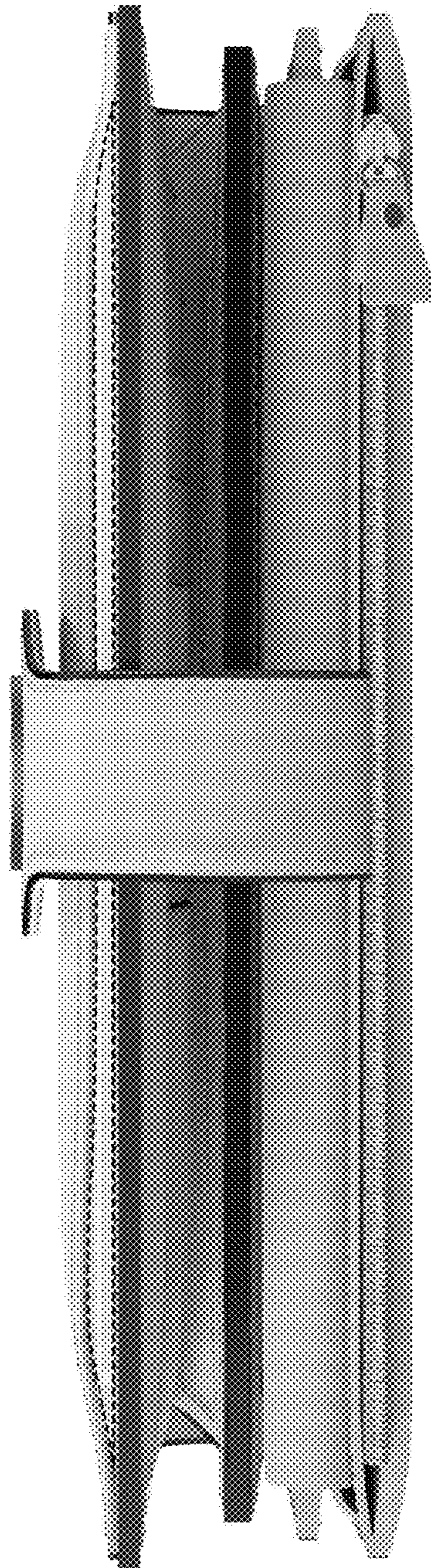


FIG.6

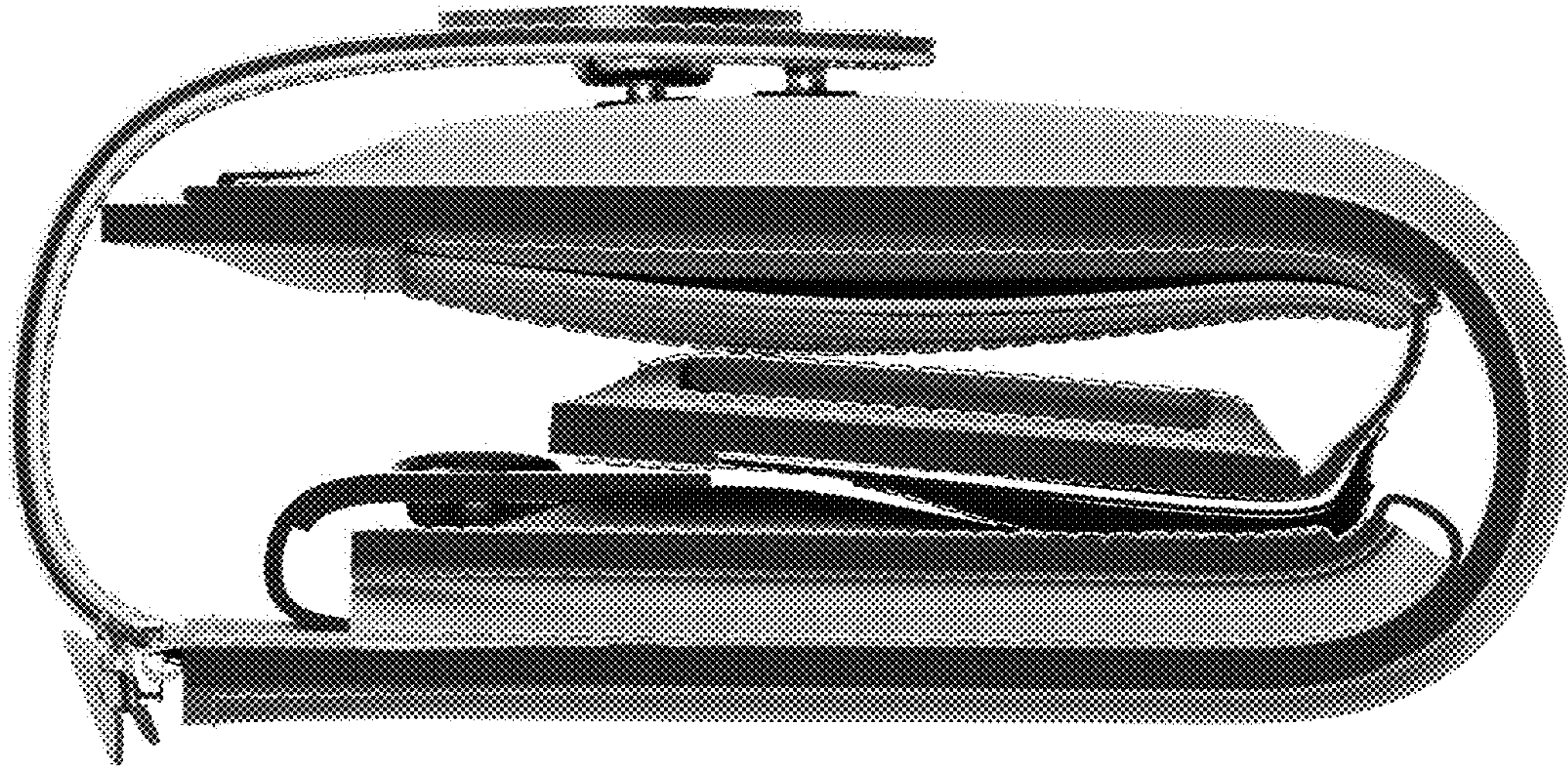


FIG.7



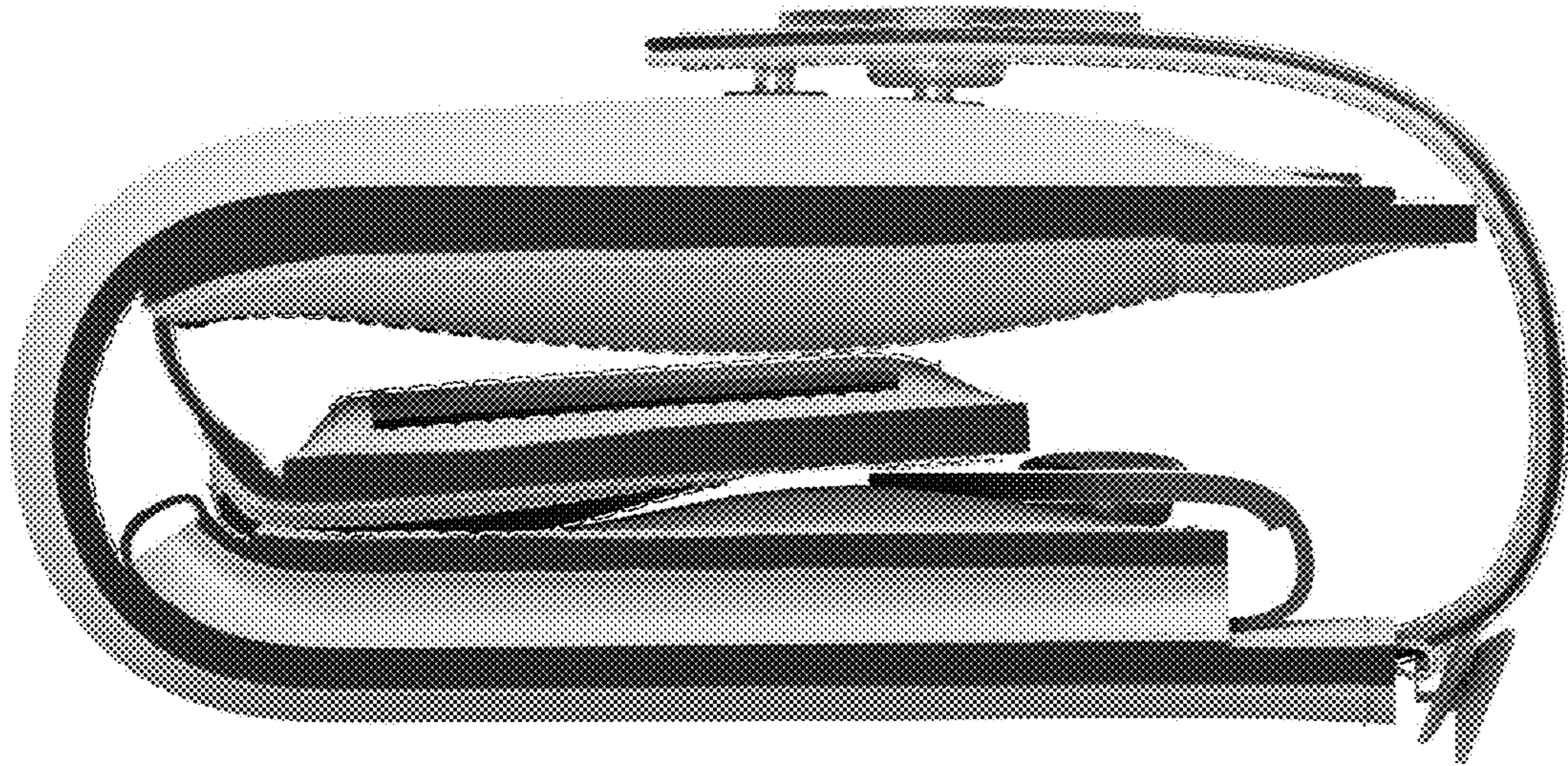


FIG.8

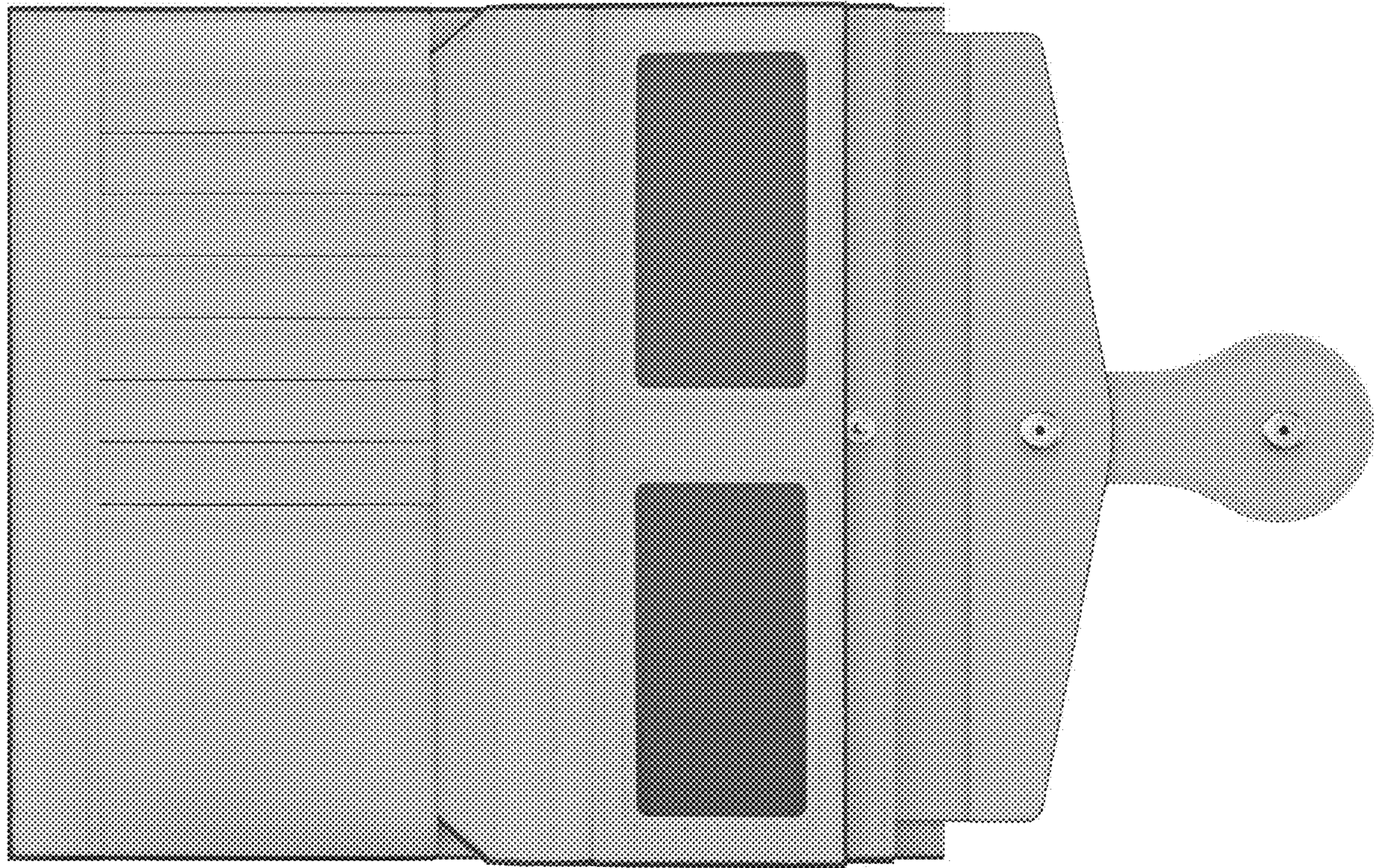


FIG.9

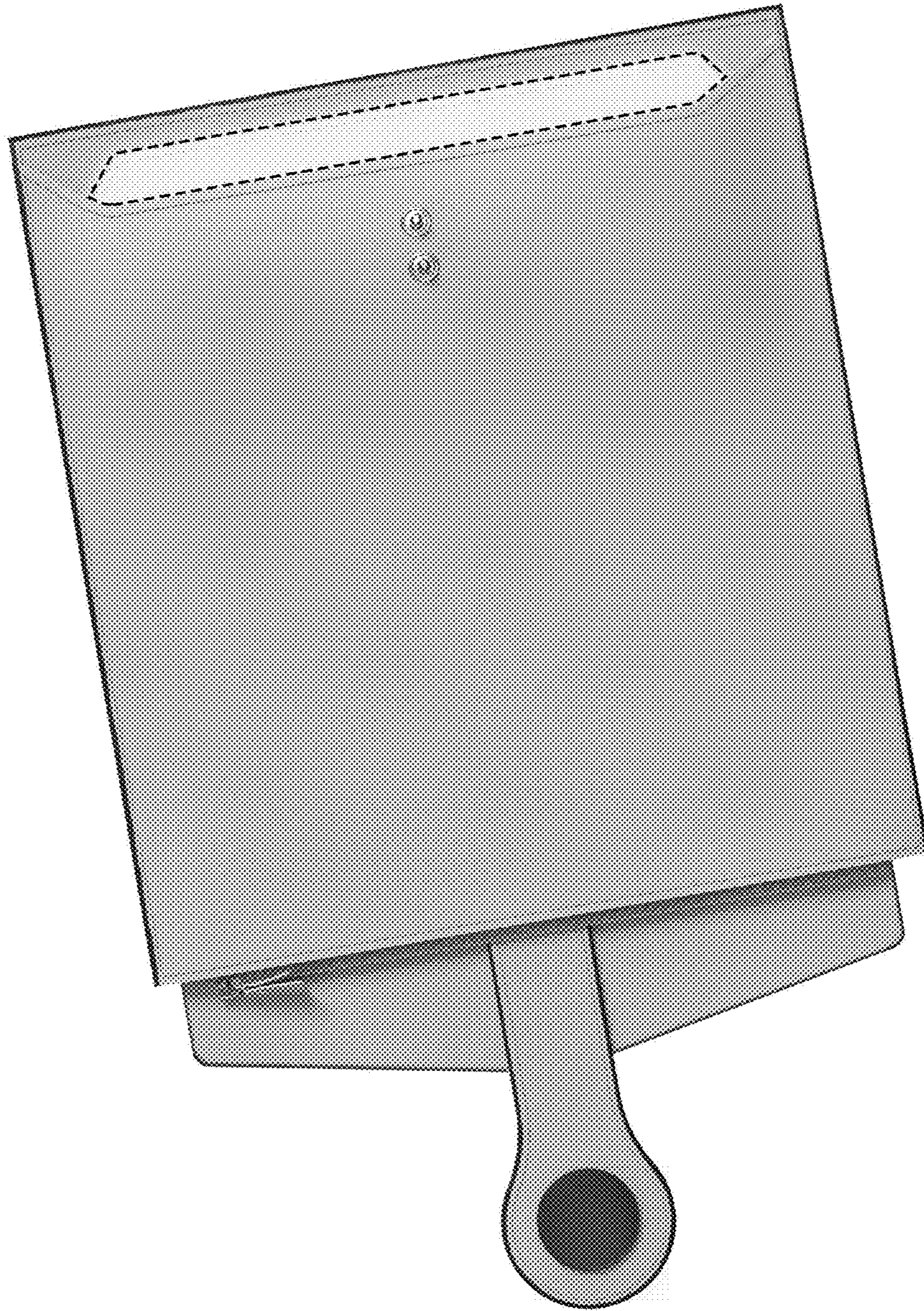


FIG. 10

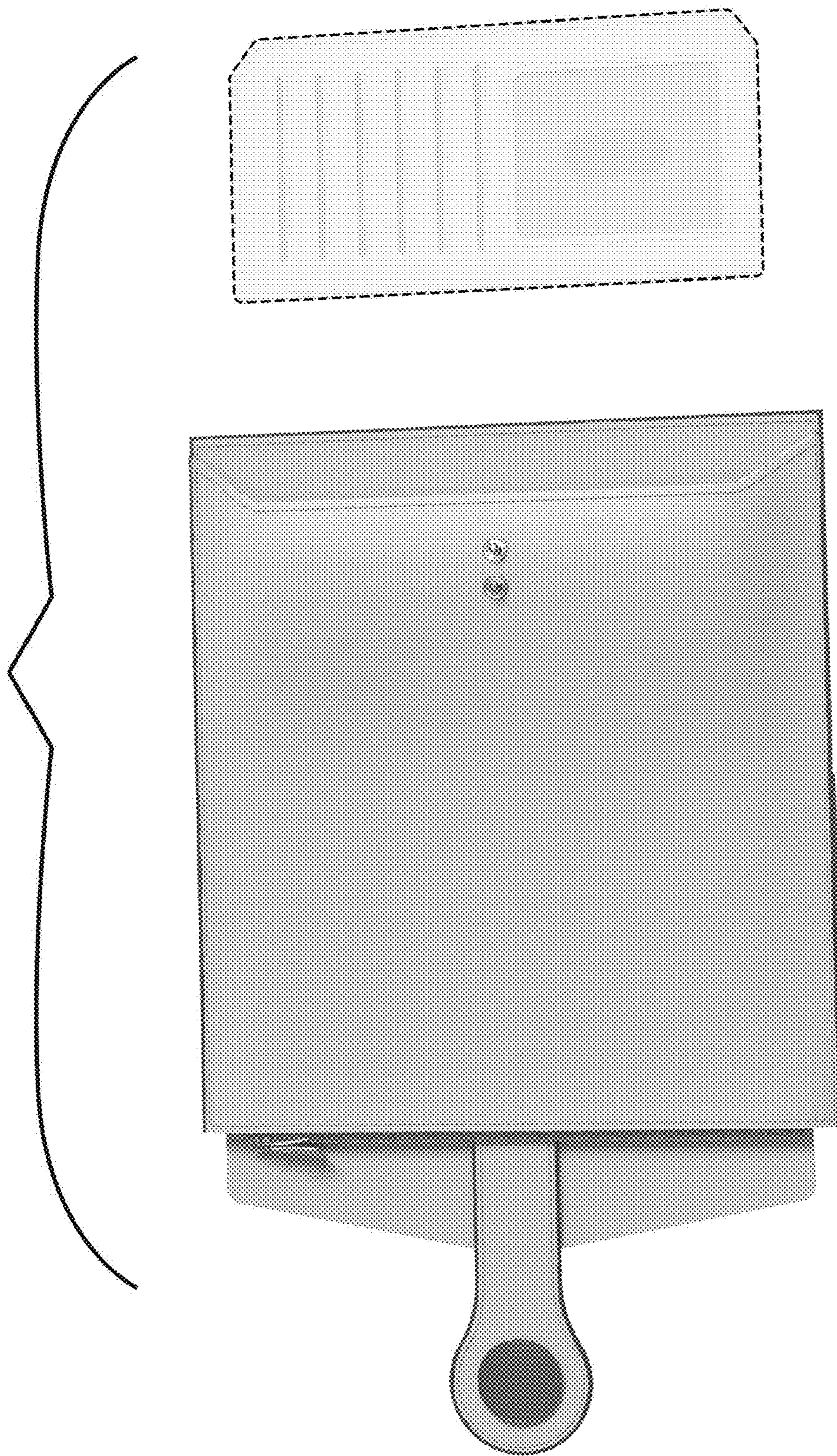


FIG. 11