



US00D985265S

(12) **United States Design Patent**  
**Zhang**

(10) **Patent No.:** **US D985,265 S**

(45) **Date of Patent:** **\*\* May 9, 2023**

(54) **WALLET**

(71) Applicant: **BoQun Zhang**, Fuzhou (CN)

(72) Inventor: **BoQun Zhang**, Fuzhou (CN)

(\*\*) Term: **15 Years**

(21) Appl. No.: **29/781,886**

(22) Filed: **May 2, 2021**

(51) **LOC (14) Cl.** ..... **03-01**

(52) **U.S. Cl.**

USPC ..... **D3/247**

(58) **Field of Classification Search**

USPC ... D3/203.1, 203.6, 205-208, 212, 215, 226,  
D3/228, 230, 247-253, 265, 266, 273,  
D3/283, 289, 318, 321, 323, 324, 326

CPC ..... A45C 2001/067; A45C 2001/0065; A45C  
1/06; A45C 2001/083

See application file for complete search history.

(56) **References Cited**

**U.S. PATENT DOCUMENTS**

D195,772 S *	7/1963	Sanders	.....	D3/276
D433,565 S *	11/2000	Kojoori	.....	D3/249
D544,711 S *	6/2007	Mundy	.....	D6/630
D715,545 S *	10/2014	McDaniel	.....	D3/247
D803,558 S *	11/2017	Liu	.....	D3/247
D804,815 S *	12/2017	Chen	.....	D3/247
D818,708 S *	5/2018	An	.....	D3/247
D844,596 S *	4/2019	Liu	.....	D14/250
D849,400 S *	5/2019	Wang	.....	D3/249
D892,107 S *	8/2020	Zhao	.....	D14/250

**OTHER PUBLICATIONS**

Leather Passport Wallet, posted at etsy.com, first available Nov. 8, 2016, retrieved on Dec. 8, 2022, online, <https://www.etsy.com/>

listing/1328976725/leather-wallet-for-mom-personalized?ga\_order=most\_relevant&ga\_search\_type=all&ga\_view\_type=gallery%E2%80%A6 (Year: 2016).\*

Womens Wallet, posted at etsy.com, first available May 11, 2021, retrieved on Dec. 8, 2022, online, [https://www.etsy.com/listing/969017000/womens-wallet-personalized-womens-wallet?ga\\_order=most\\_relevant&ga\\_search\\_type=all&ga\\_view\\_type=g%E2%80%A6](https://www.etsy.com/listing/969017000/womens-wallet-personalized-womens-wallet?ga_order=most_relevant&ga_search_type=all&ga_view_type=g%E2%80%A6) (Year: 2021).\*

Womens wallet wine red, posted at amazon.com, first available Jul. 25, 2020, retrieved on Dec. 8, 2022, online, <https://www.amazon.com/Wallets-Women-Leather-Holder-Organizers/dp/B09LLTHS6N> (Year: 2020).\*

\* cited by examiner

*Primary Examiner* — Mary Shannon Malley

*Assistant Examiner* — Dustin Andrew Griffith

(74) *Attorney, Agent, or Firm* — Zhingang Ma

(57) **CLAIM**

The ornamental design for a wallet, as shown and described.

**DESCRIPTION**

FIG. 1 is a front perspective view of a wallet in accordance with the present invention;

FIG. 2 is a rear perspective view from a bottom thereof;

FIG. 3 is a front view thereof;

FIG. 4 is a rear view thereof;

FIG. 5 is a left side view thereof;

FIG. 6 is a right side view thereof;

FIG. 7 is a top view thereof;

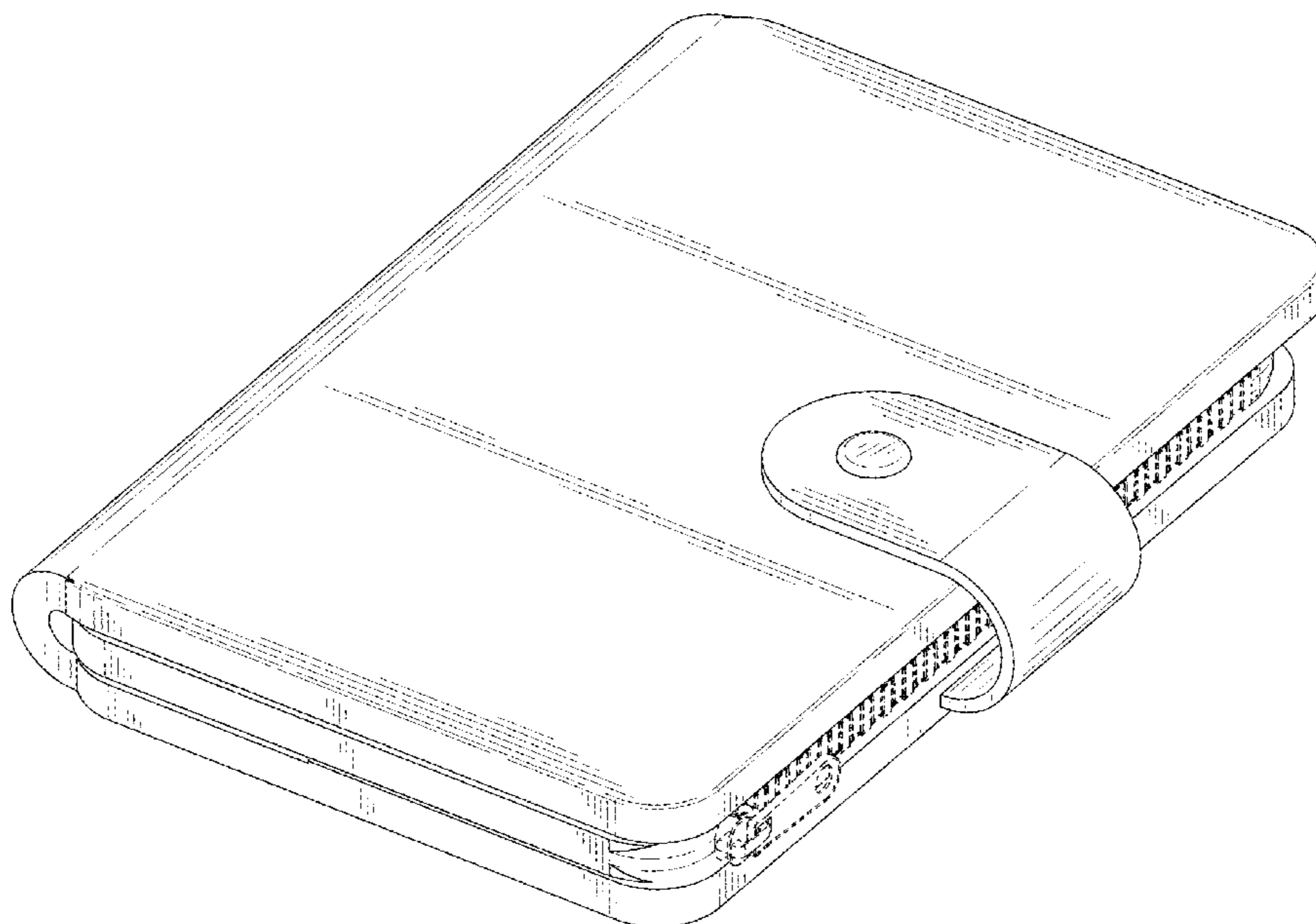
FIG. 8 is a bottom view thereof;

FIG. 9 is a perspective view of the wallet in a first unfolded state; and,

FIG. 10 is another perspective view of the wallet in second unfolded state.

The broken lines depict portions of the wallet that form no part of the claimed design.

**1 Claim, 10 Drawing Sheets**



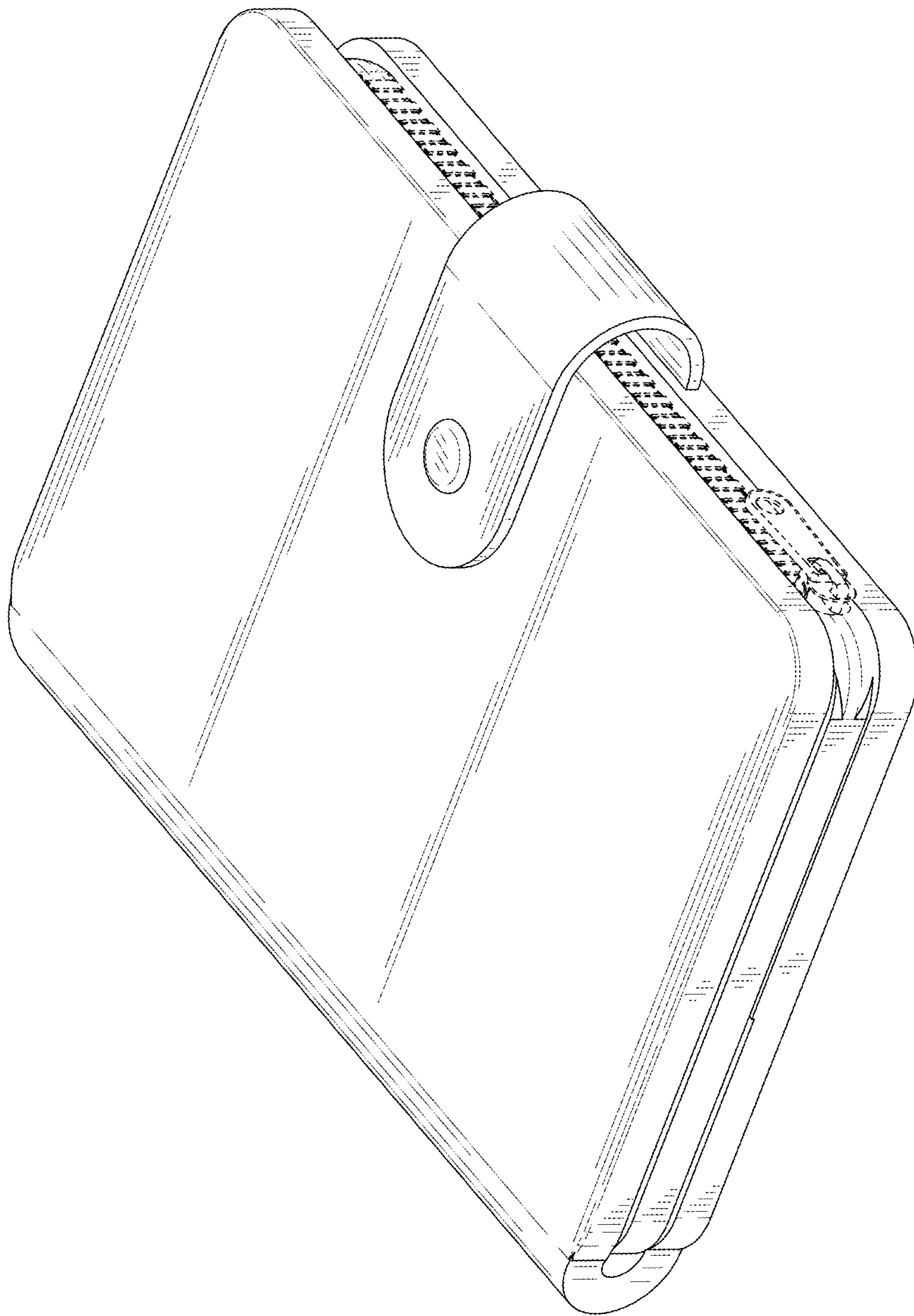


FIG. 1

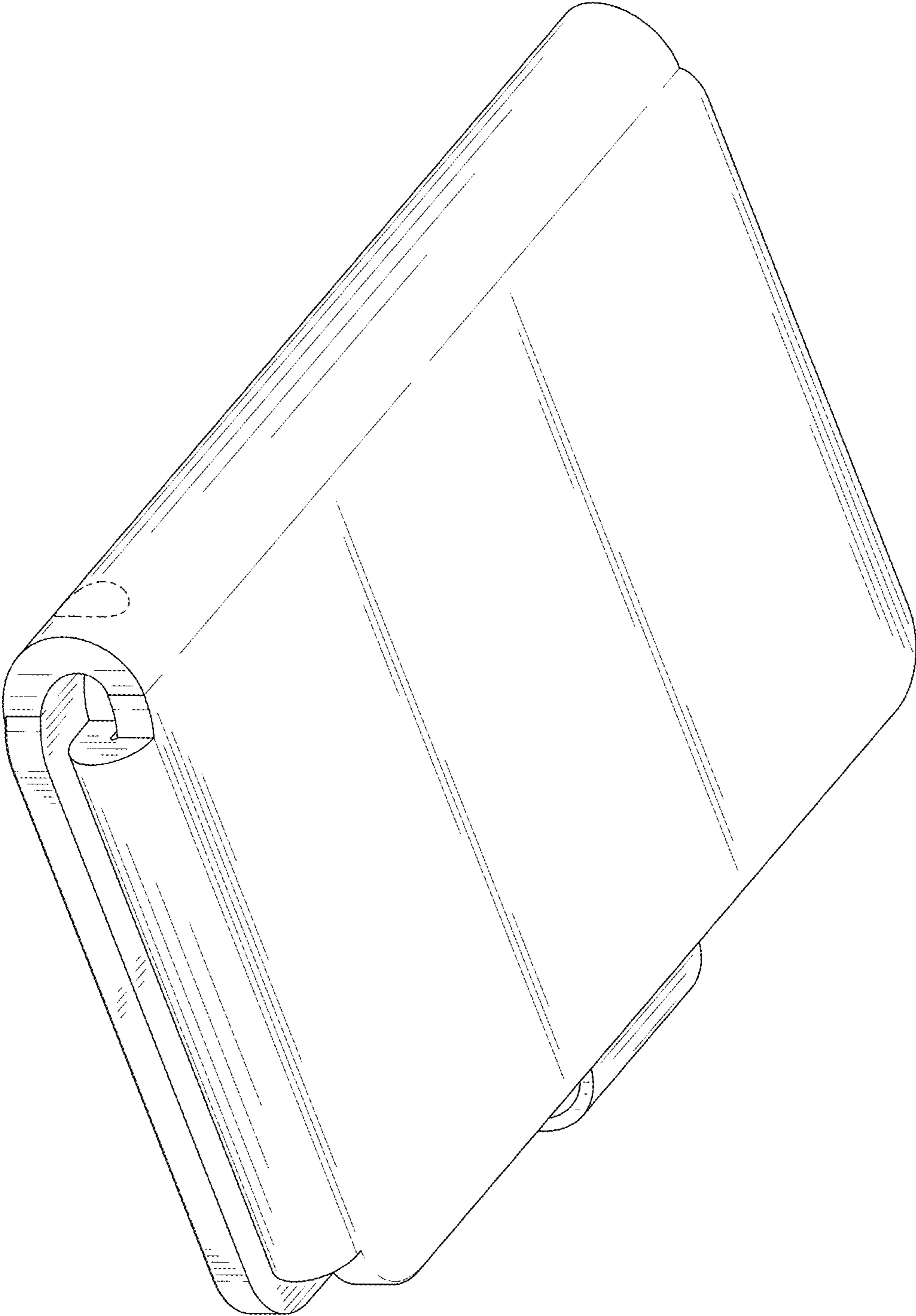


FIG. 2

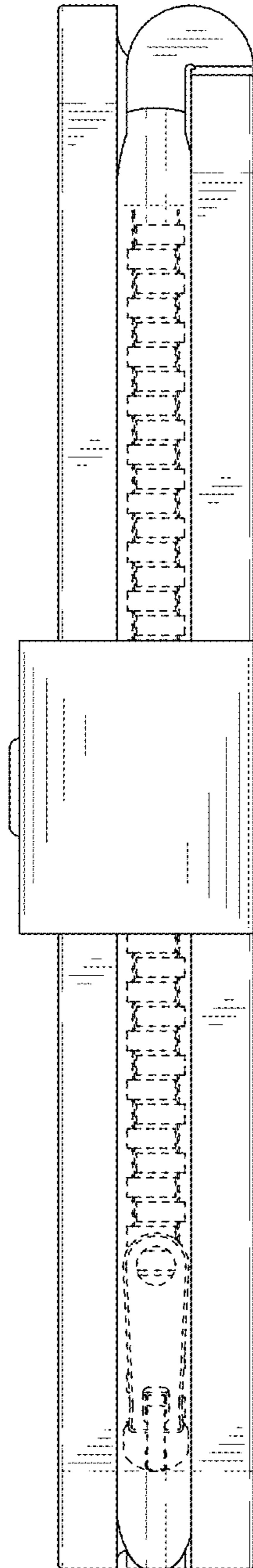


FIG. 3

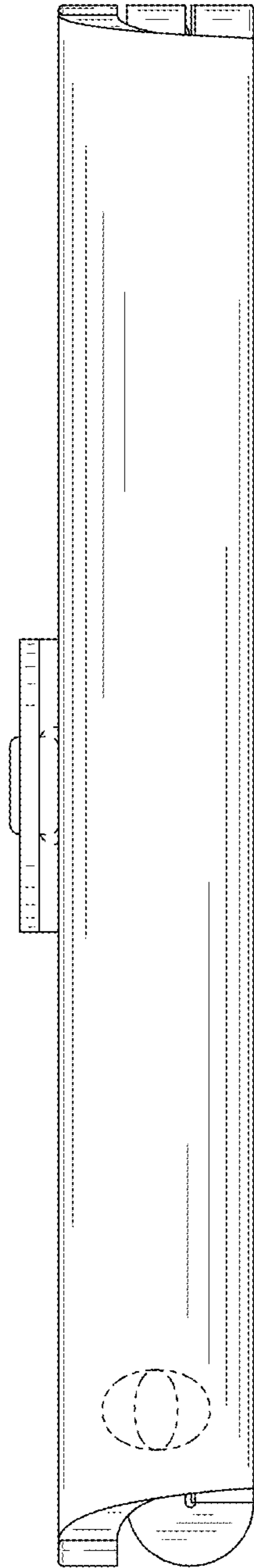


FIG. 4

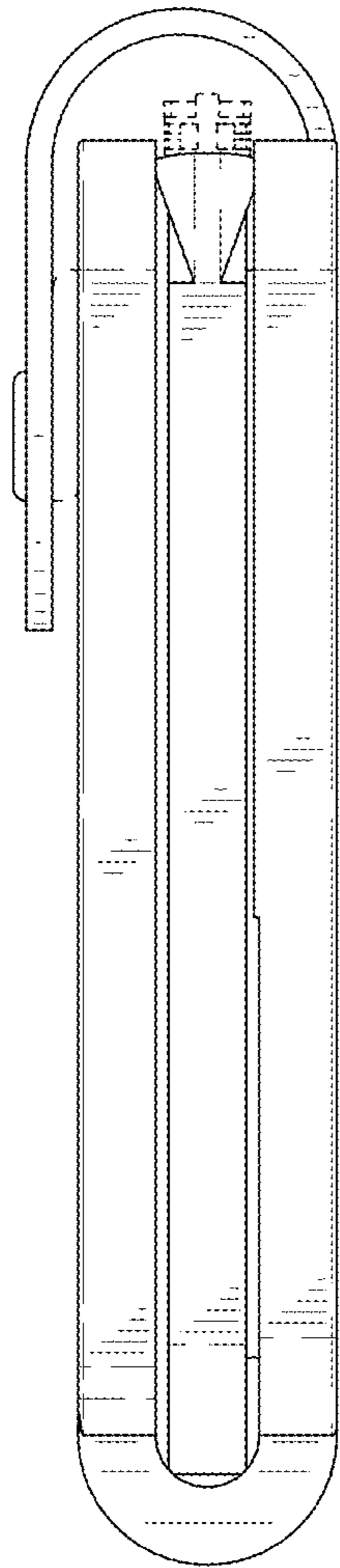


FIG. 5

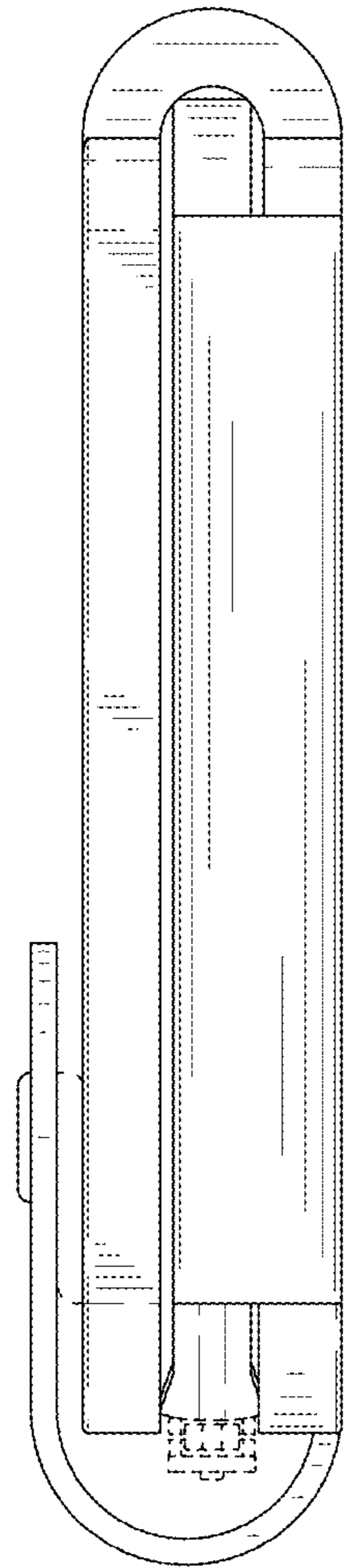


FIG. 6

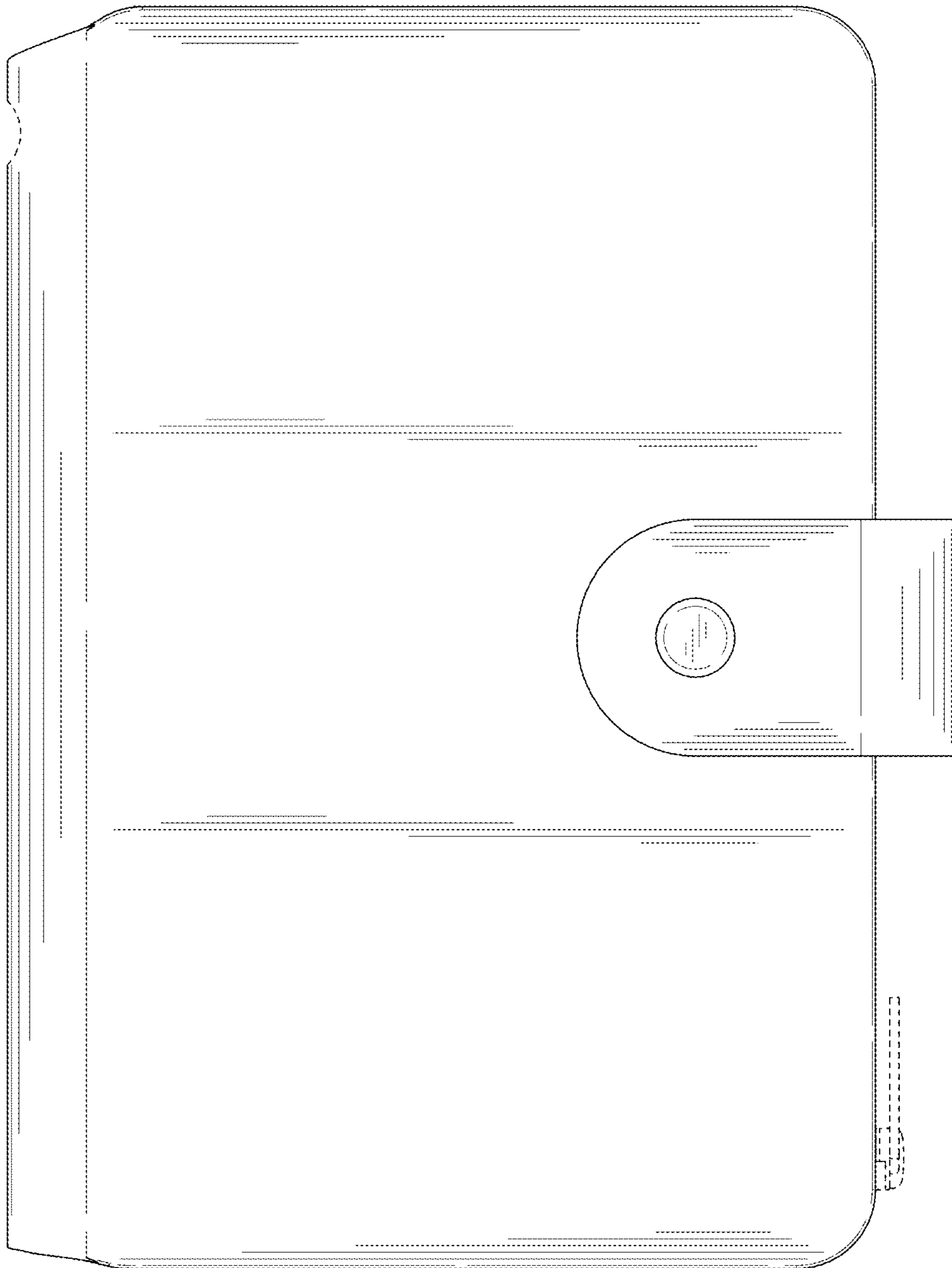


FIG. 7



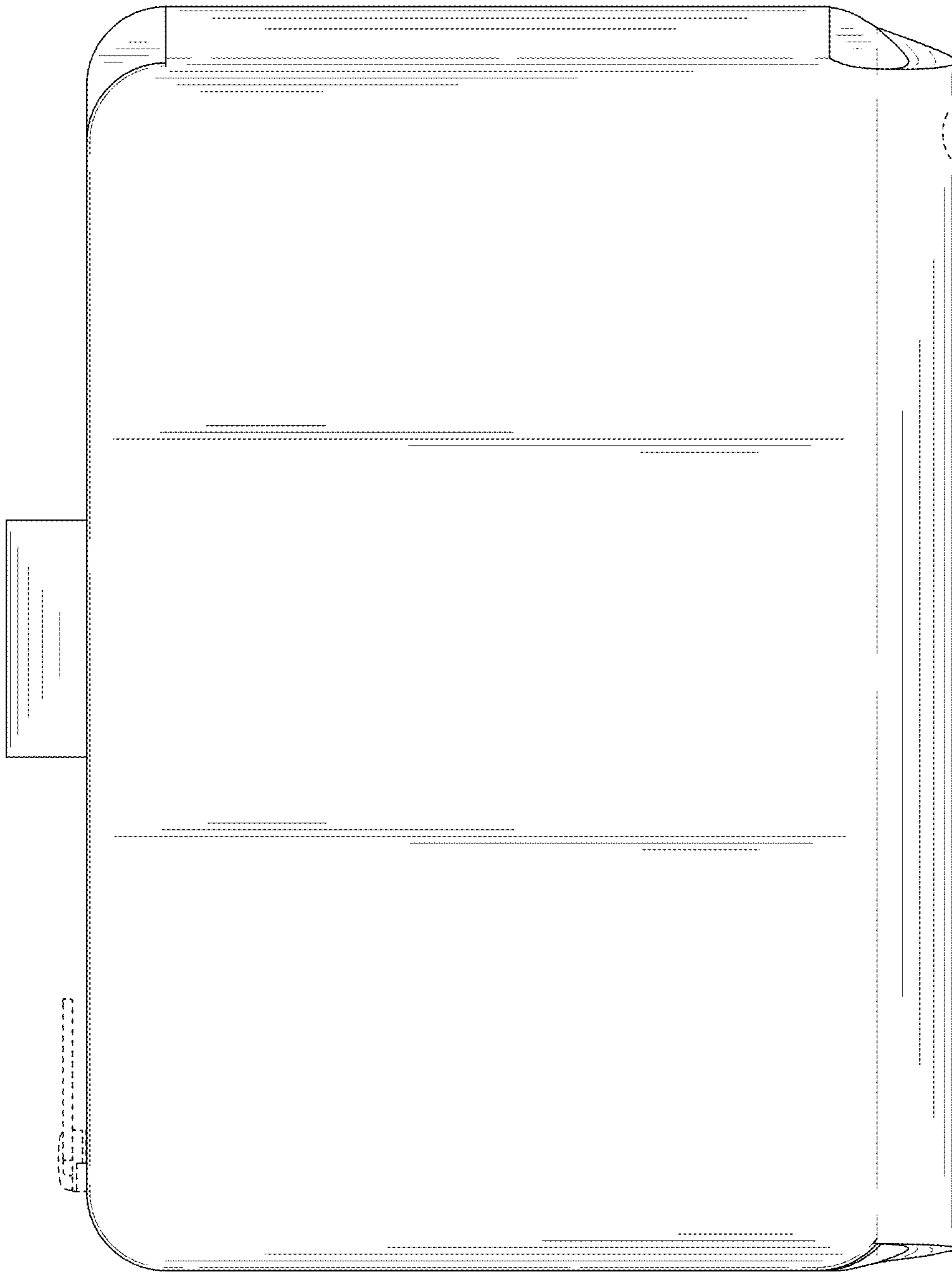


FIG. 8

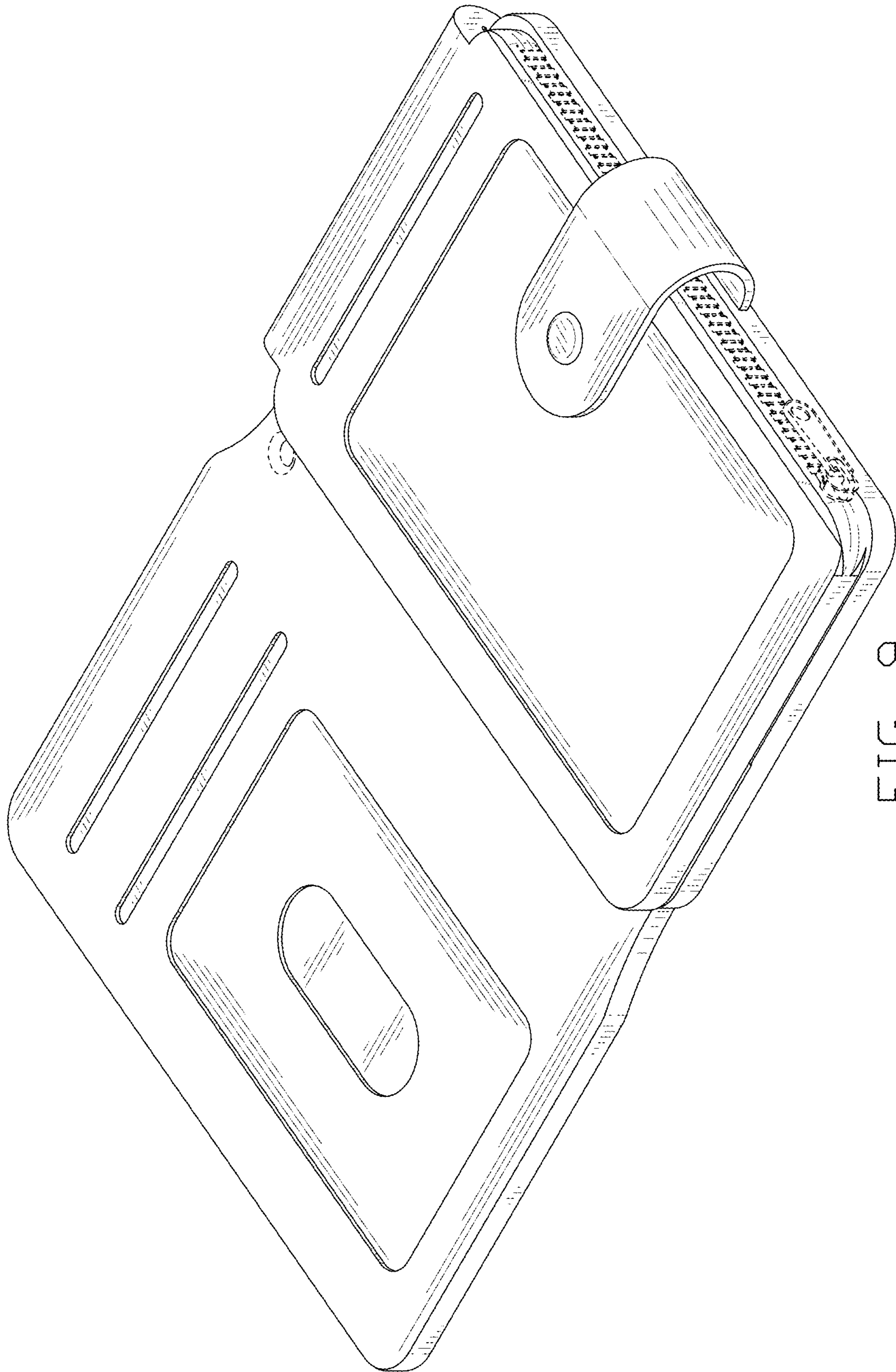


FIG. 9

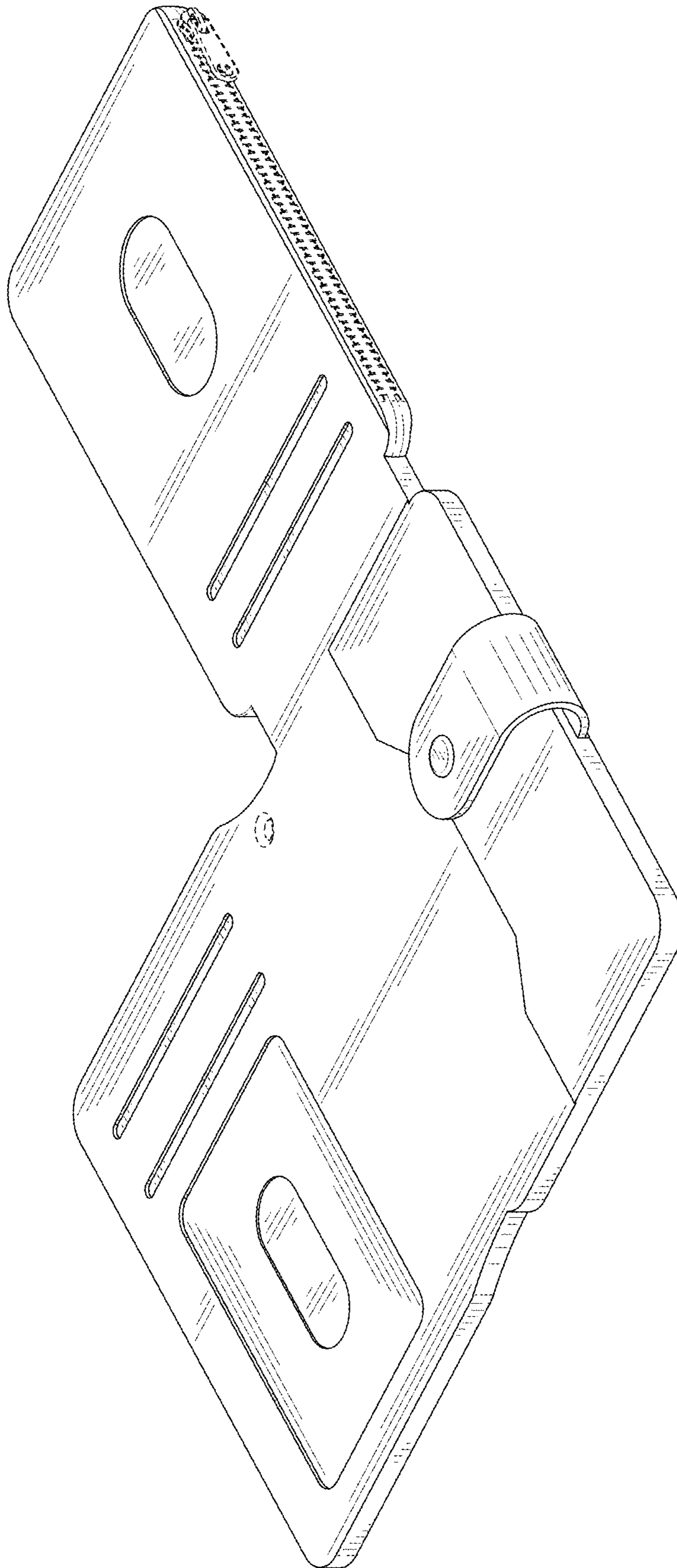


FIG. 10