



US00D985260S

(12) **United States Design Patent** (10) **Patent No.:** **US D985,260 S**
Xie (45) **Date of Patent:** **** May 9, 2023**

(54) **MAKEUP BACKPACK**

FOREIGN PATENT DOCUMENTS

(71) Applicant: **Shenzhen Jiazexing Technology Co., Ltd.**, Shenzhen (CN)

CN 307038702 * 12/2021
GB 6188749 * 1/2022

(Continued)

(72) Inventor: **Guoping Xie**, Shenzhen (CN)

(73) Assignee: **Shenzhen Jiazexing Technology Co., Ltd.**, Shenzhen (CN)

OTHER PUBLICATIONS

(**) Term: **15 Years**

Relavel Makeup Backpack, available at amazon.com, earliest customer review date Jan. 1, 2022 [online], site visited Jul. 22, 2022, available from the internet URL: <https://www.amazon.com/Backpack-Relavel-Professional-Organizer-Adjustable/dp/B09H4NYLLW?th=1> (Year: 2022).*

(21) Appl. No.: **29/841,150**

(Continued)

(22) Filed: **Jun. 3, 2022**

(51) **LOC (14) Cl.** **03-01**

Primary Examiner — April Rivas

(52) **U.S. Cl.**

Assistant Examiner — Jillian Mazzola

USPC **D3/217**; D3/901

(74) *Attorney, Agent, or Firm* — Shen Huang

(58) **Field of Classification Search**

USPC D3/213–217, 221, 224–233, 242–244, D3/254–262, 901

CPC A45F 3/00; A45F 3/005; A45F 3/02; A45F 3/04; A45F 3/042; A45F 3/047; A45F 3/06; A45F 3/08; A45F 3/10; A45F 2003/001; A45F 2003/002; A45F 2003/003; A45F 2003/006; A45F 2003/007; A45F 2003/008; A45F 2003/025; A45F 2003/045; A45F 2200/00; A45F 2200/05; A45F 2200/0525; A45F 2200/0533

See application file for complete search history.

CLAIM

The ornamental design for a makeup backpack, as shown and described.

DESCRIPTION

FIG. 1 is a front, top and right side perspective view of a makeup backpack; showing my new design; FIG. 2 is a front elevation view thereof; FIG. 3 is a rear elevation view thereof; FIG. 4 is a left side elevation view thereof; FIG. 5 is a right side elevation view thereof; FIG. 6 is a top plan view thereof; FIG. 7 is a bottom plan view thereof; FIG. 8 is a rear, top and left side perspective view thereof; FIG. 9 is a front, bottom and left side perspective view of the makeup backpack, shown in an alternate configuration in a partially open position; and, FIG. 10 is a front, top and left side perspective view of the makeup backpack, shown in another alternate configuration in another partially open position.

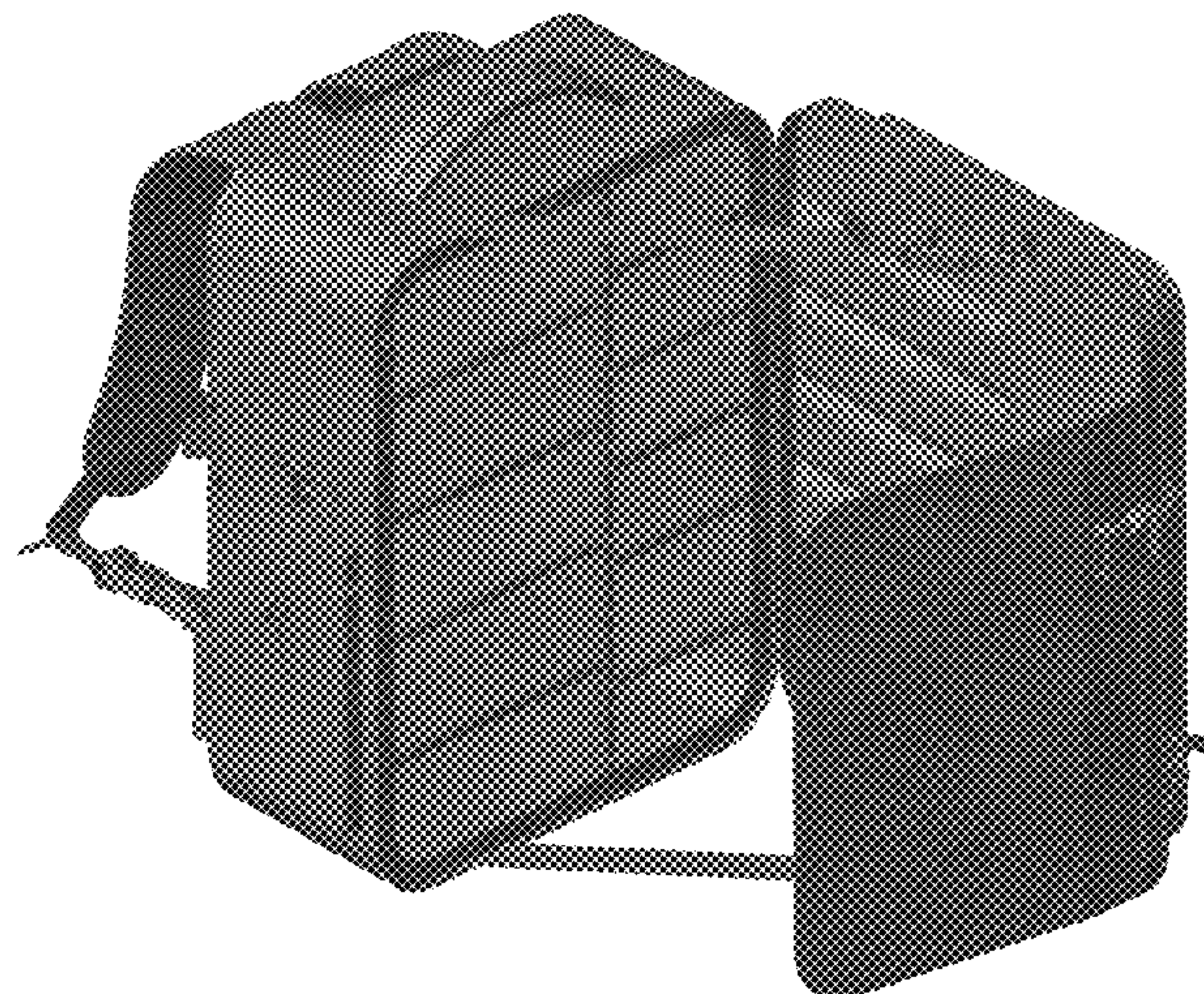
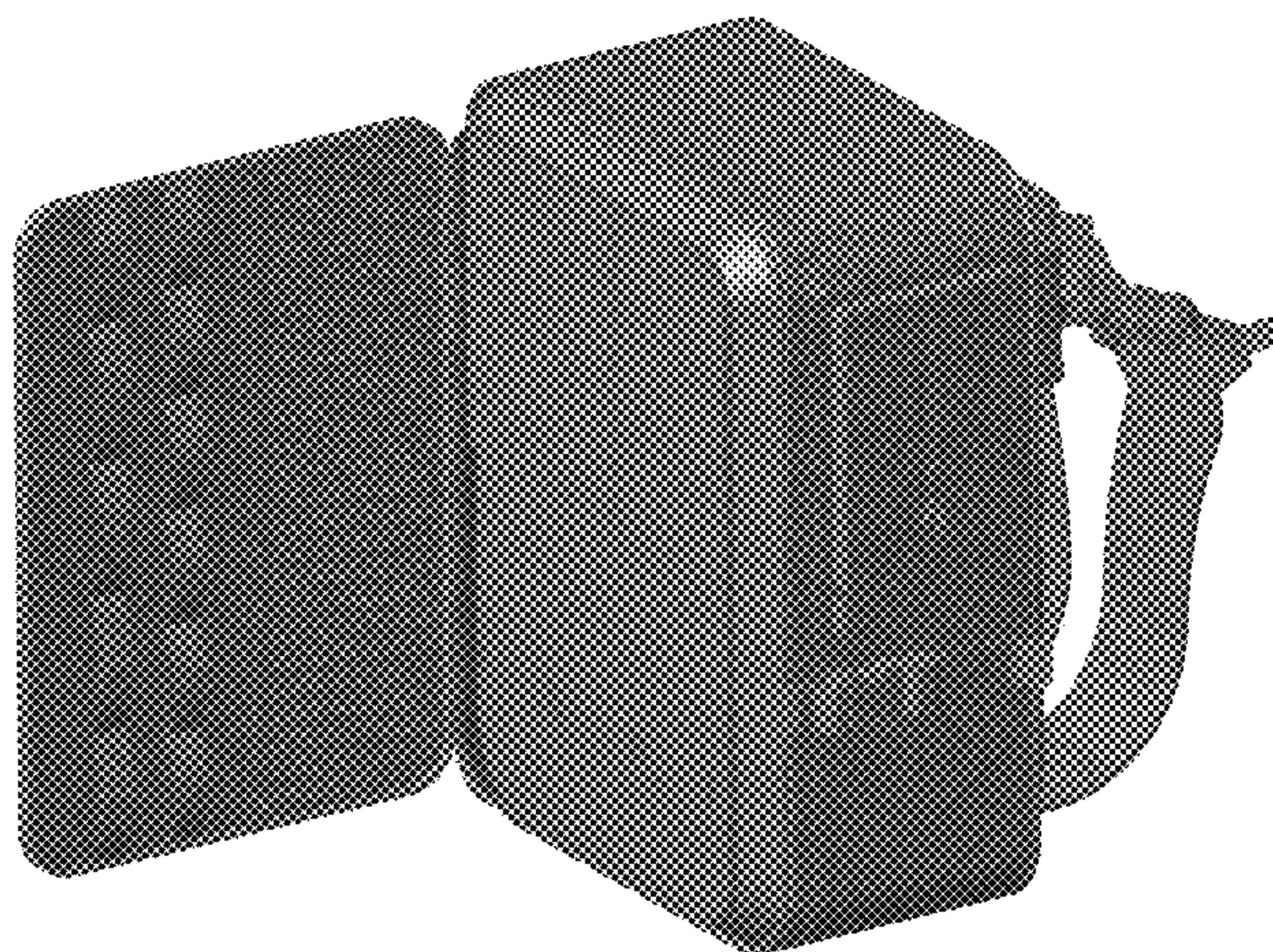
(56) **References Cited**

U.S. PATENT DOCUMENTS

2,405,361 A * 8/1946 Langford A45C 7/0059 383/18
D314,273 S * 2/1991 Minneman D3/904
D343,513 S 1/1994 DiTizio
6,161,738 A * 12/2000 Norris F41H 5/0457 383/119
D485,432 S * 1/2004 Desrochers D3/217

(Continued)

1 Claim, 10 Drawing Sheets



(56)

References Cited

U.S. PATENT DOCUMENTS

D512,564 S * 12/2005 Teitloff D3/257
 D844,319 S 4/2019 Tan et al.
 D905,427 S * 12/2020 Zhou D3/217
 D912,975 S * 3/2021 Breines D3/217
 D918,665 S 5/2021 Munie et al.
 D936,355 S * 11/2021 Webb D3/217
 D946,884 S 3/2022 Maduro
 D968,089 S * 11/2022 Zhang D3/901
 2003/0168488 A1 * 9/2003 Ho A45F 3/04
 2008/0202878 A1 * 8/2008 Looram A45C 13/103
 190/120
 2009/0090751 A1 * 4/2009 D'Alessandro A45F 4/02
 224/155
 2010/0025446 A1 * 2/2010 Eberle A45F 3/04
 224/652
 2010/0116860 A1 * 5/2010 Tello A45F 3/04
 361/679.55
 2011/0204114 A1 * 8/2011 Miller A45F 3/06
 224/582
 2012/0262117 A1 * 10/2012 Ferber A45C 13/02
 320/111
 2013/0153613 A1 * 6/2013 Ciccotosto A47B 23/00
 224/153
 2016/0213132 A1 * 7/2016 Ford A45C 7/0086
 2017/0119131 A1 * 5/2017 Barber A45F 3/04

2020/0305648 A1 * 10/2020 Giusti A45C 13/02
 2021/0030128 A1 * 2/2021 Rabe A45F 3/04
 2021/0078026 A1 * 3/2021 Suardika B05B 11/3052
 2021/0212442 A1 * 7/2021 Webb A45F 3/04
 2021/0219703 A1 * 7/2021 Yoo A45F 3/04

FOREIGN PATENT DOCUMENTS

JP D1704593 * 1/2022
 JP D1716684 * 6/2022

OTHER PUBLICATIONS

Oewoer Professional Makeup Case, available at amazon.com, earliest customer review date Aug. 25, 2020 [online], site visited Jul. 22, 2022, available from the internet URL: <https://www.amazon.com/dp/B097Y43ZBY/> (Year: 2020).*

The Most Functional Backpack for Commuters, available at youtube.com, posted Jun. 12, 2017 [online], site visited Jul. 22, 2022, available from the internet URL: <https://www.youtube.com/watch?v=Fw02kwPEUV4> (Year: 2017).*

Essential Makeup Backpack Cosmetic Organizer TSA Lock USB Port, available at byootique-global.com, date not available [online], site visited Jul. 22, 2022, available from the internet URL: <https://byootique-global.com/products/essential-makeup-backpack-cosmetic-organizer-tsa-lock-usb-port?> (Year: 2022).*

* cited by examiner



FIG. 1



FIG. 2

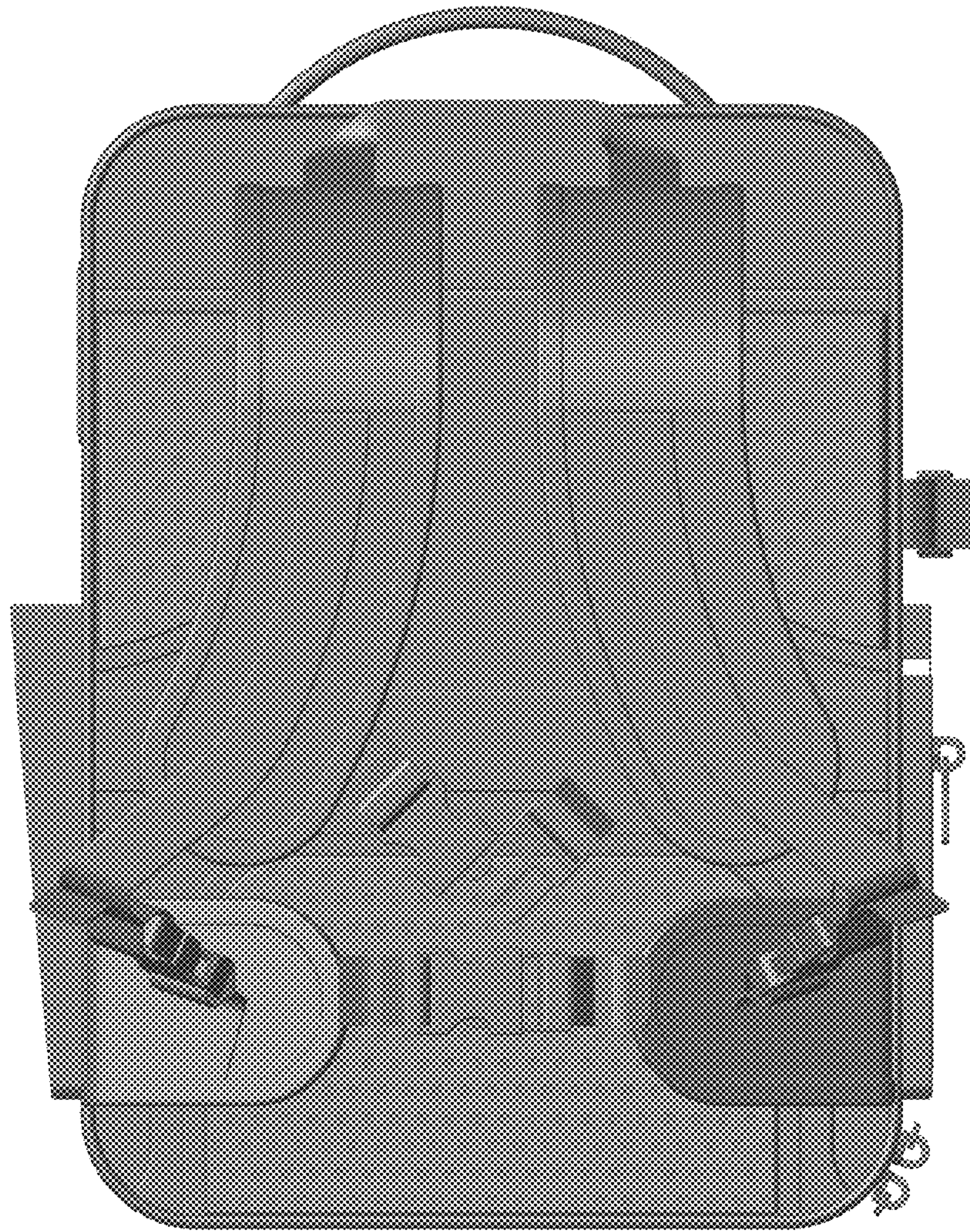


FIG. 3

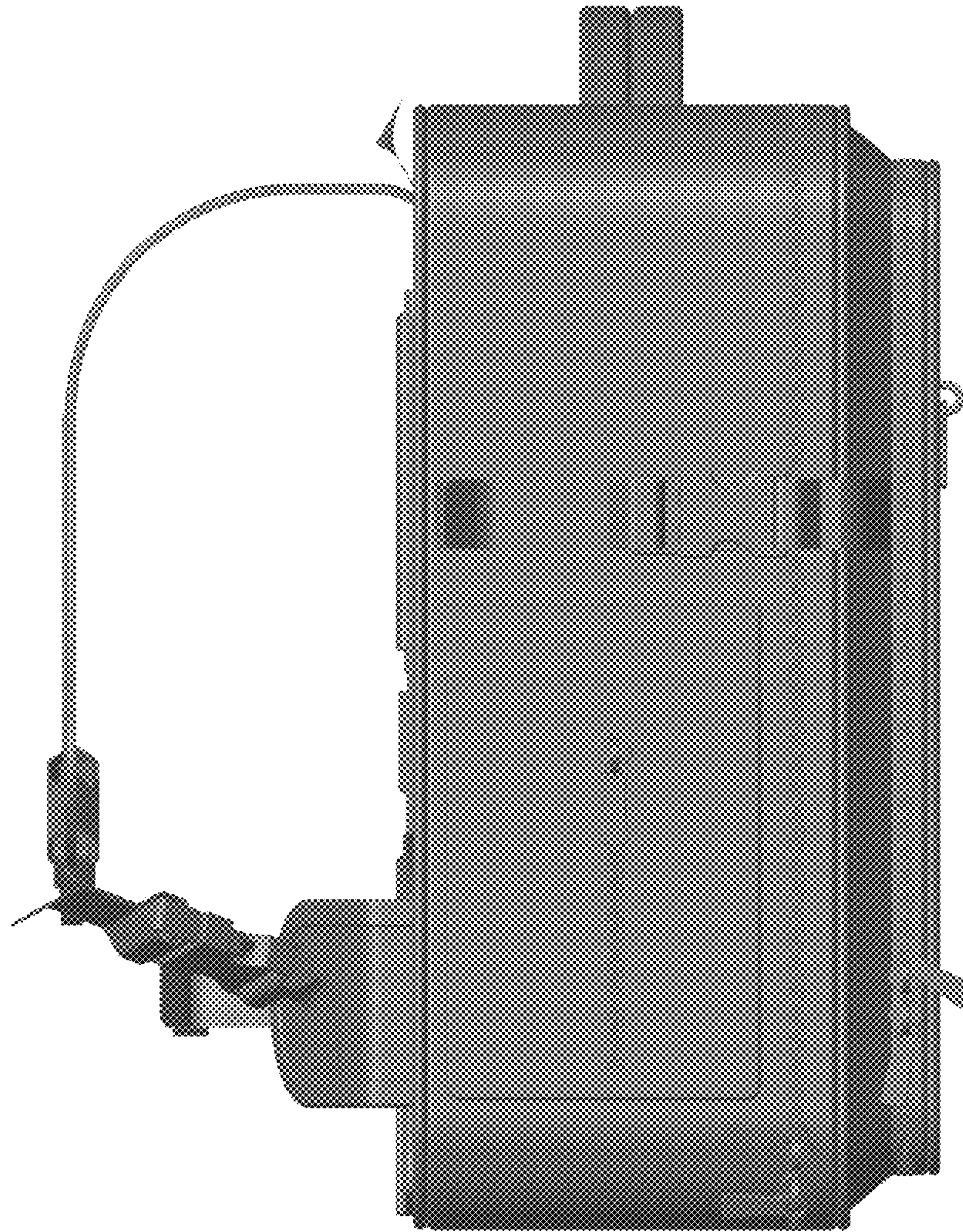


FIG. 4

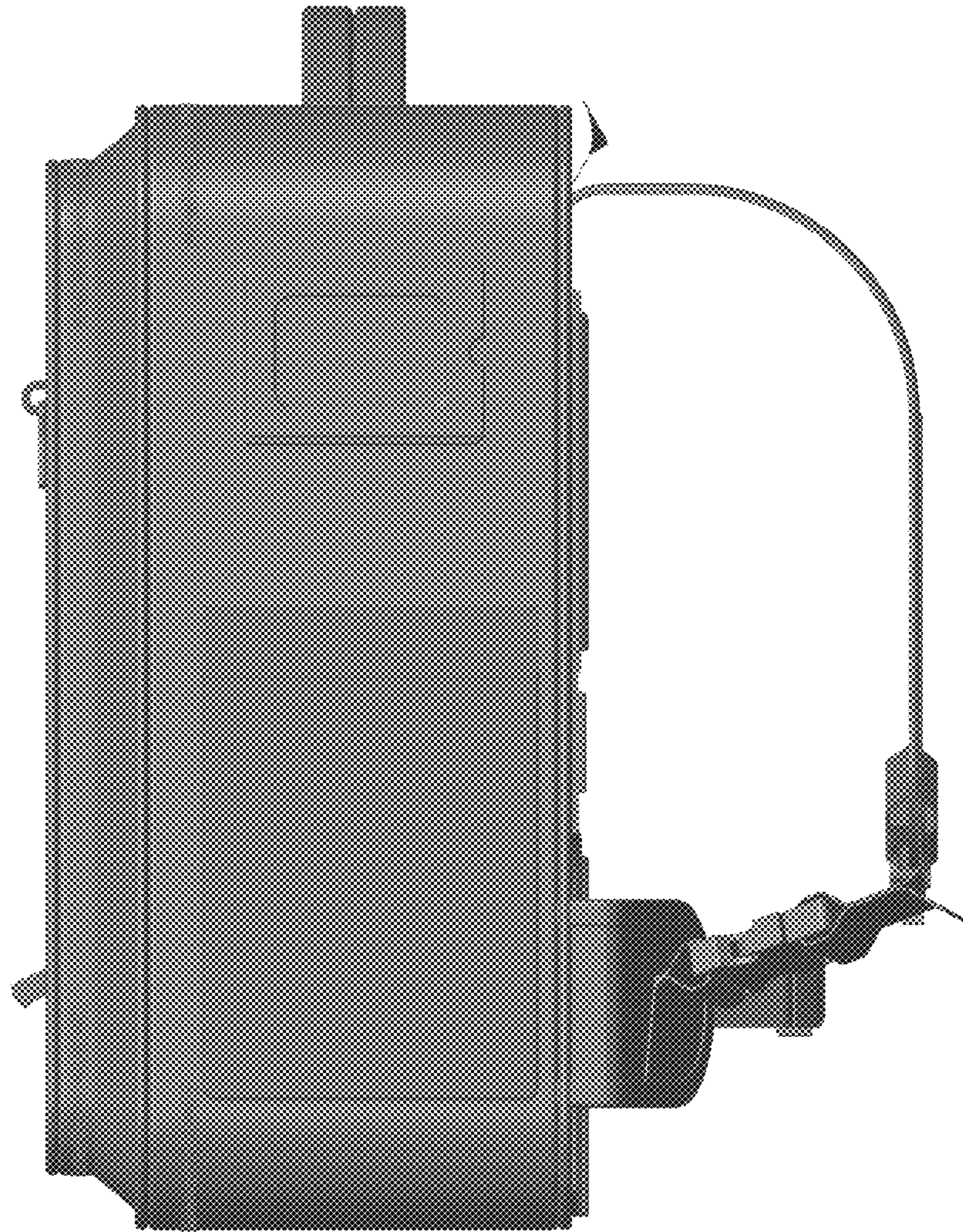


FIG. 5

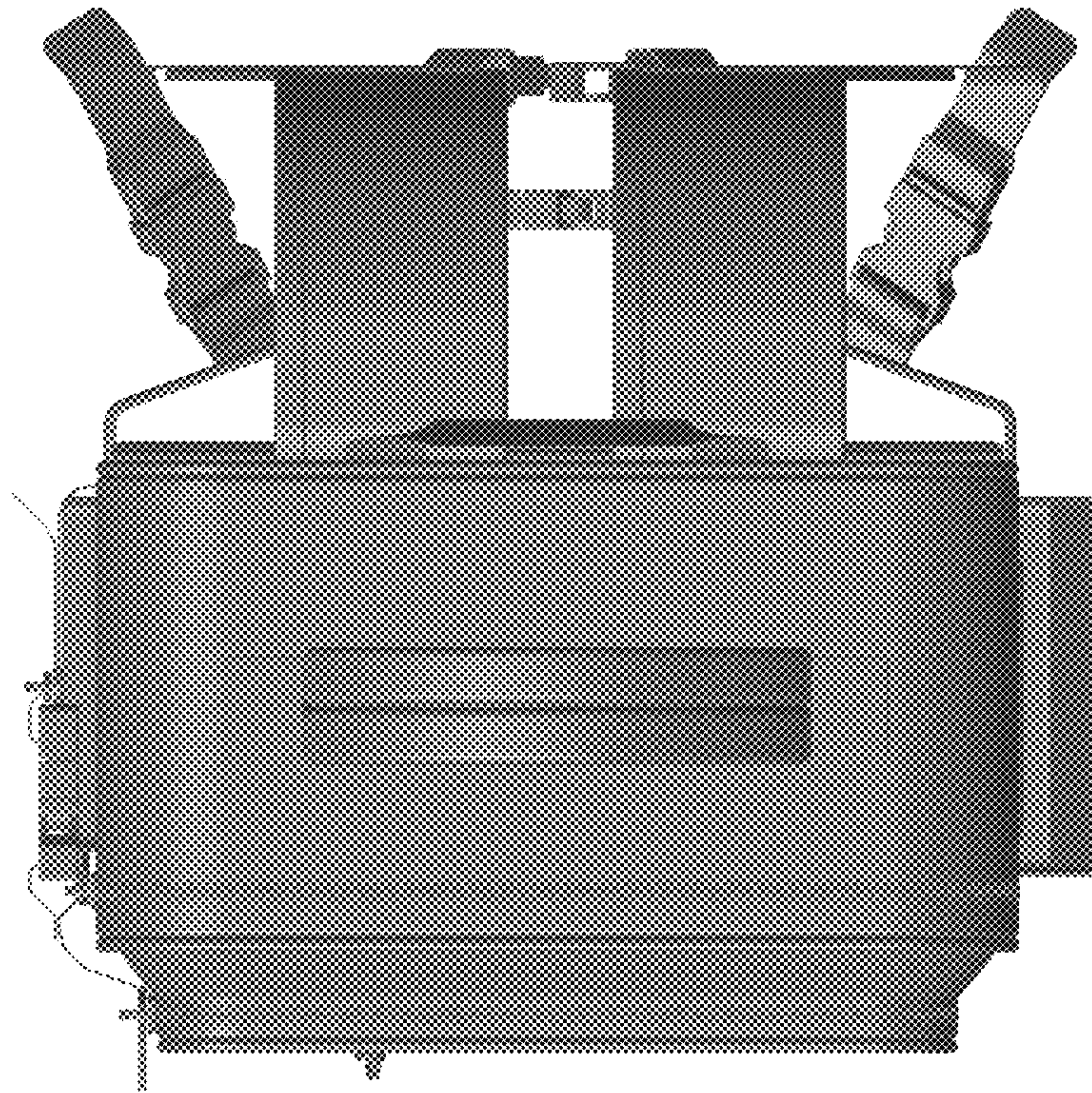


FIG. 6

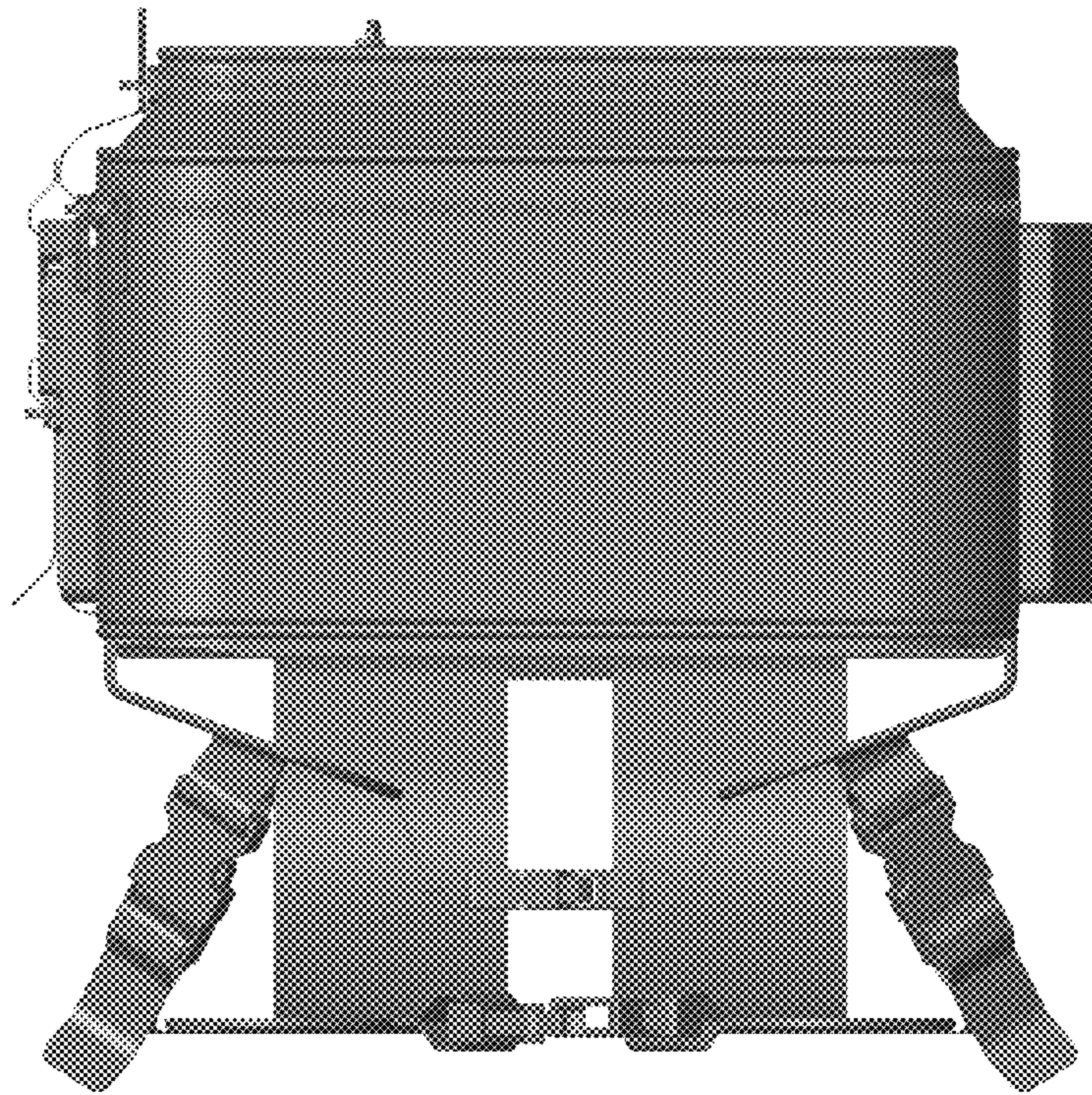


FIG. 7



FIG. 8



FIG. 9

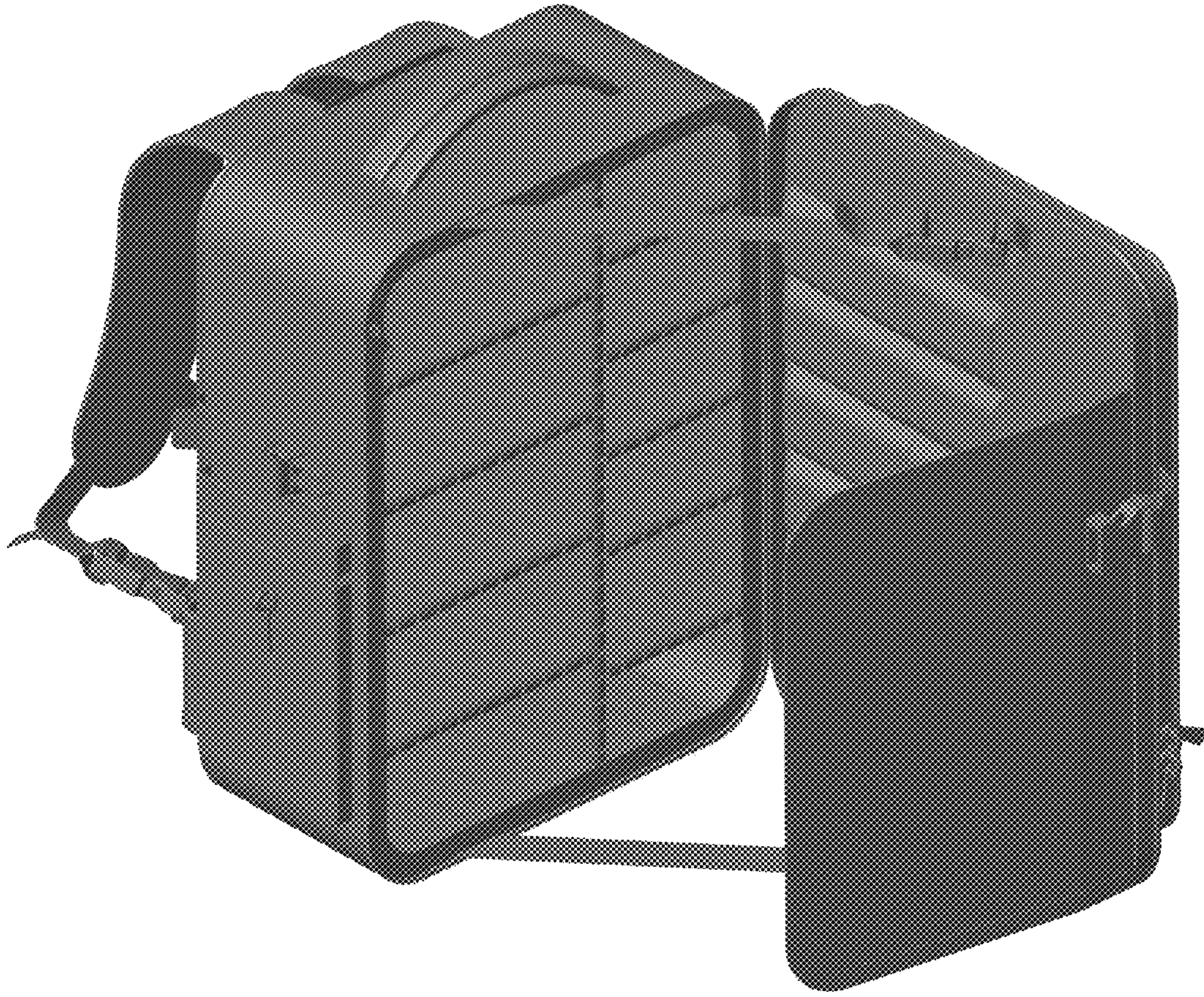


FIG. 10