



US00D985258S

(12) **United States Design Patent**
Yan

(10) **Patent No.:** **US D985,258 S**

(45) **Date of Patent:** **** May 9, 2023**

(54) **HANDCUFF COVER**

(71) Applicant: **Mei Yan**, Honghu (CN)

(72) Inventor: **Mei Yan**, Honghu (CN)

(**) Term: **15 Years**

(21) Appl. No.: **29/837,818**

(22) Filed: **May 9, 2022**

(51) **LOC (14) Cl.** **03-05**

(52) **U.S. Cl.**

USPC **D3/215**

(58) **Field of Classification Search**

USPC D3/201, 207–208, 215–218, 230,
D3/247–250, 303, 318

CPC A45C 1/02; A45C 1/04; A45C 1/06; A45C
13/008; A45C 11/18; A45C 11/182;
H04M 1/72409; G06F 1/1626; F28F
21/00; H04B 1/3888; B65D 33/16; A45F
3/14; E05B 75/00

See application file for complete search history.

(56) **References Cited**

U.S. PATENT DOCUMENTS

1,517,588	A *	12/1924	Sasaki	E05B 75/00 224/242
3,826,414	A *	7/1974	Valadez	E05B 75/00 224/231
D238,629	S *	2/1976	Tibbetts	D3/226
4,852,784	A *	8/1989	Burton, Jr.	F41C 33/0227 224/914
D541,524	S *	5/2007	Kha	D3/226
D564,751	S *	3/2008	Kha	D3/215
D572,003	S *	7/2008	Kha	D3/215
D574,609	S *	8/2008	Kha	D3/215
D587,006	S *	2/2009	Kha	D3/215

D592,394	S *	5/2009	Kha	D3/215
D847,507	S *	5/2019	Zhao	D3/215
D903,816	S	12/2020	Vinther		
D950,237	S *	5/2022	Wu	D3/215
2005/0115997	A1 *	6/2005	Nouvel De La Fleche	E05B 75/00 224/162

OTHER PUBLICATIONS

“Amazon.com: Handcuff Holster”, [Posted Online on amazon.com], [First Available Date Aug. 17, 2021], [Retrieved Online on Jul. 27, 2022], <https://www.amazon.com/dp/B09CSZ6BBV/> (Year: 2021).*

* cited by examiner

Primary Examiner — Mary Shannon Malley
Assistant Examiner — Christopher John Suarez La Rosa

(57) **CLAIM**

The ornamental design for a handcuff cover, as shown and described.

DESCRIPTION

FIG. 1 is a front and top perspective view of a handcuff cover, showing my new design;

FIG. 2 is a rear and bottom perspective view thereof;

FIG. 3 is a front elevation view thereof;

FIG. 4 is a rear elevation view thereof;

FIG. 5 is a left side elevation view thereof;

FIG. 6 is a right side elevation view thereof;

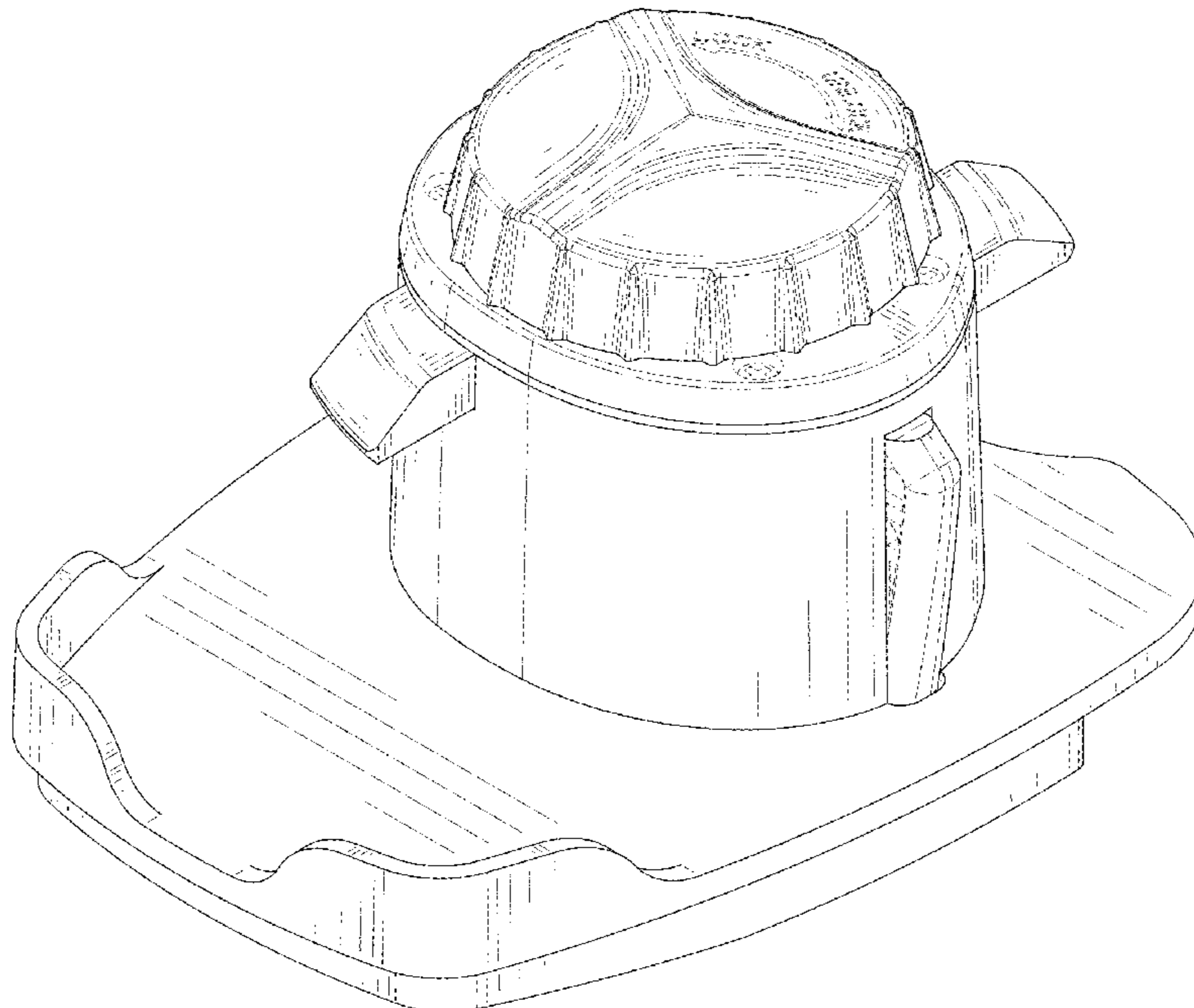
FIG. 7 is a top plan view thereof;

FIG. 8 is a bottom plan view thereof; and,

FIG. 9 is another perspective view thereof, shown in an alternate configuration.

The broken lines in the figures illustrate portions of the handcuff cover that form no part of the claimed design.

1 Claim, 9 Drawing Sheets



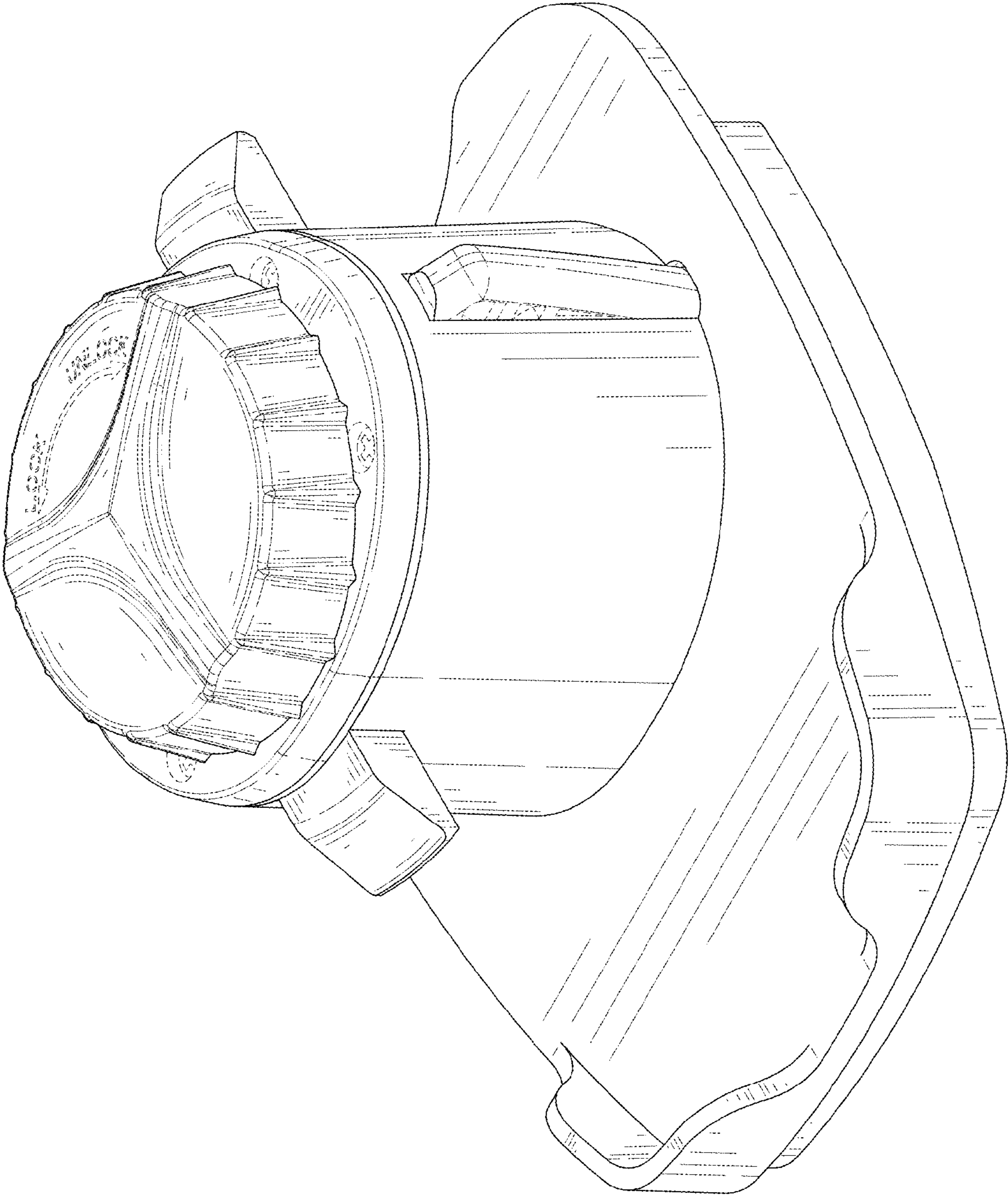


FIG. 1

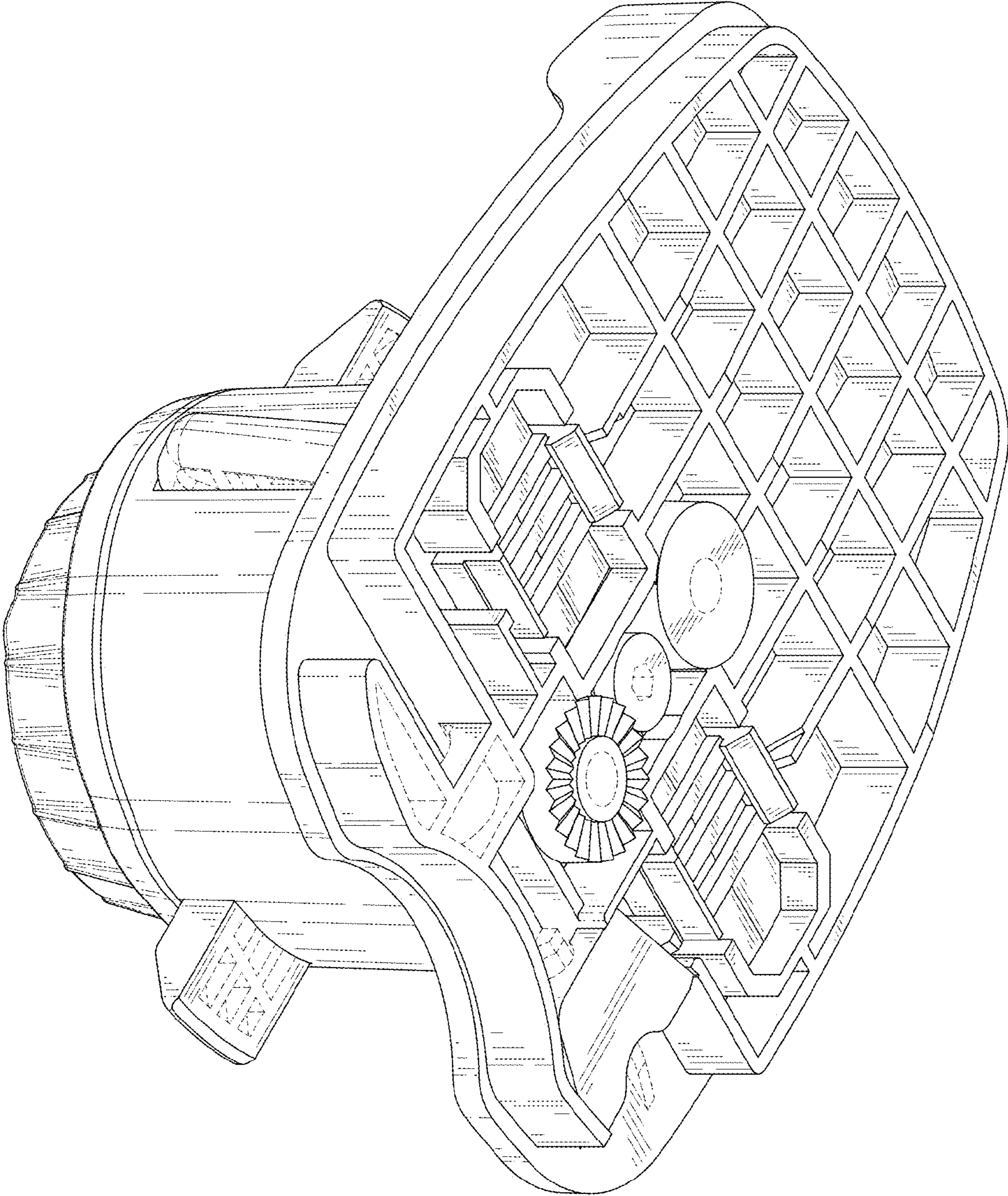


FIG. 2

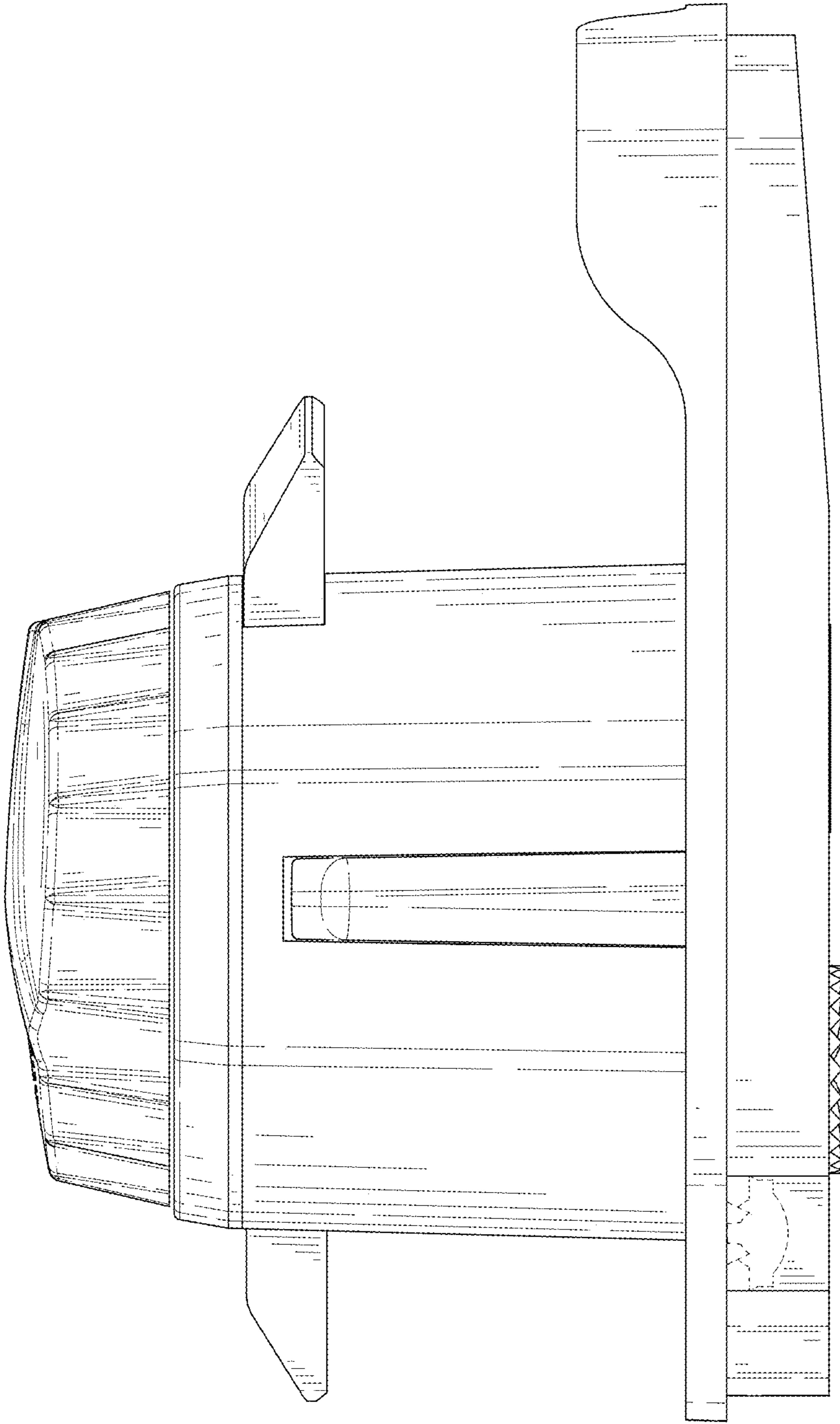


FIG. 3

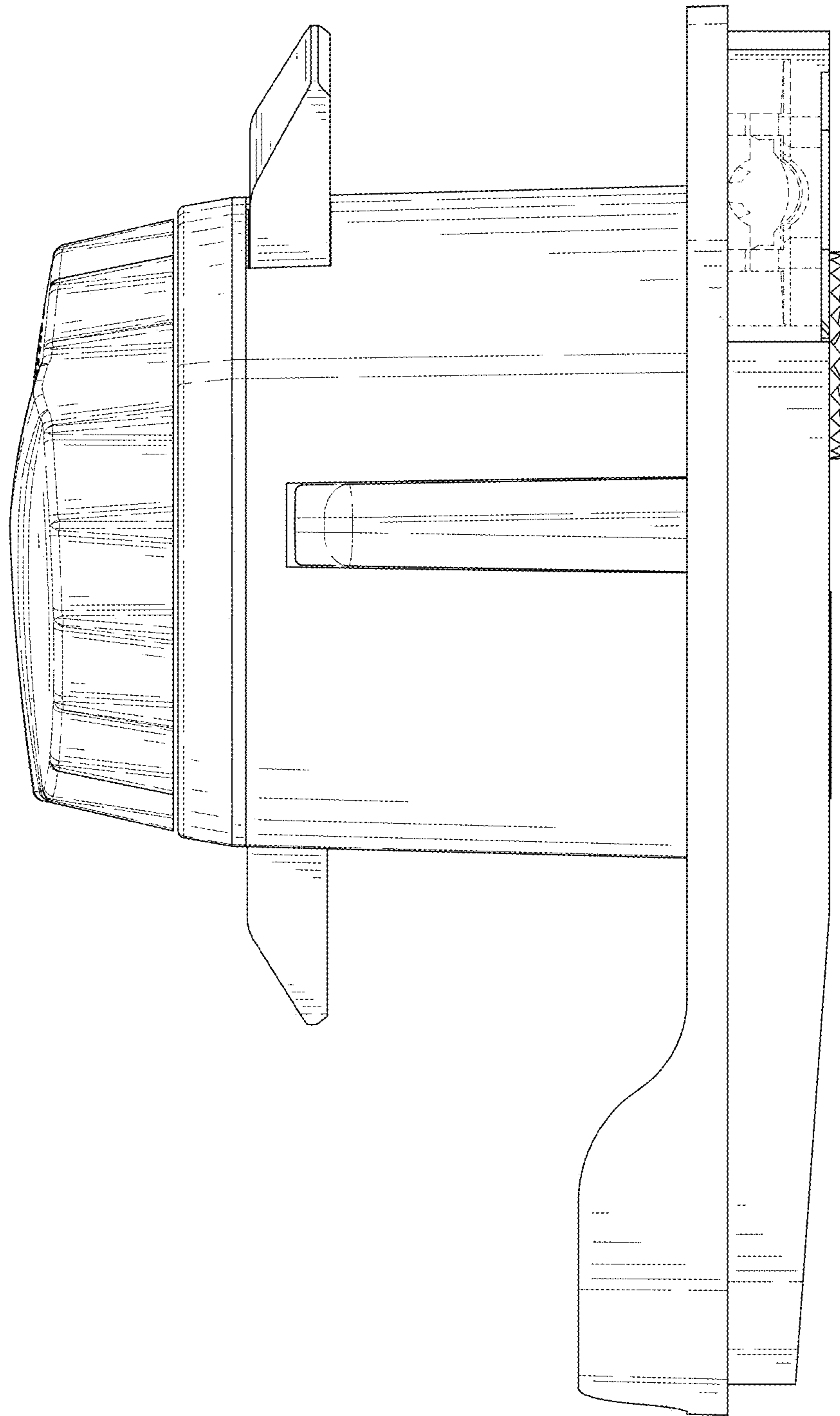


FIG. 4

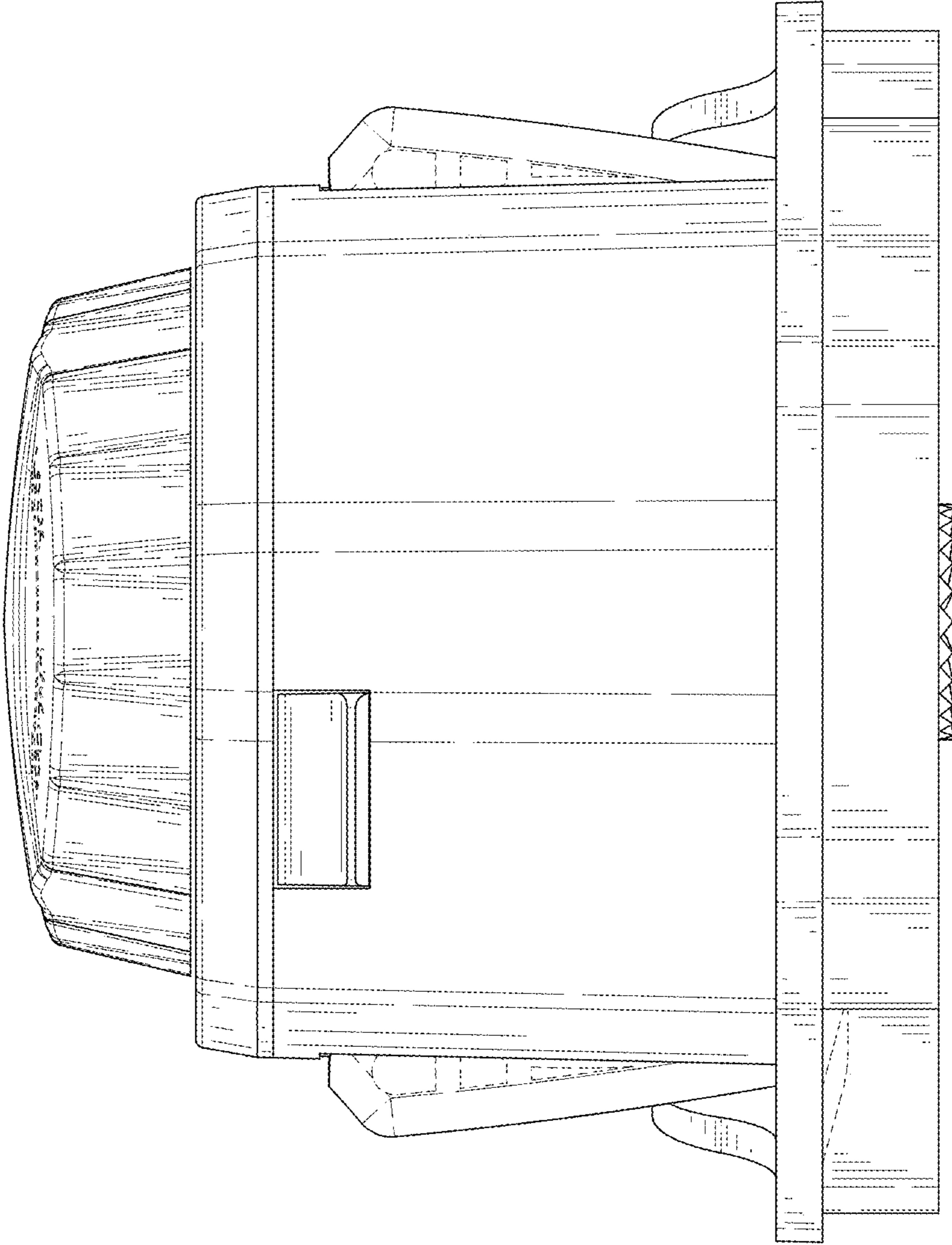


FIG. 5

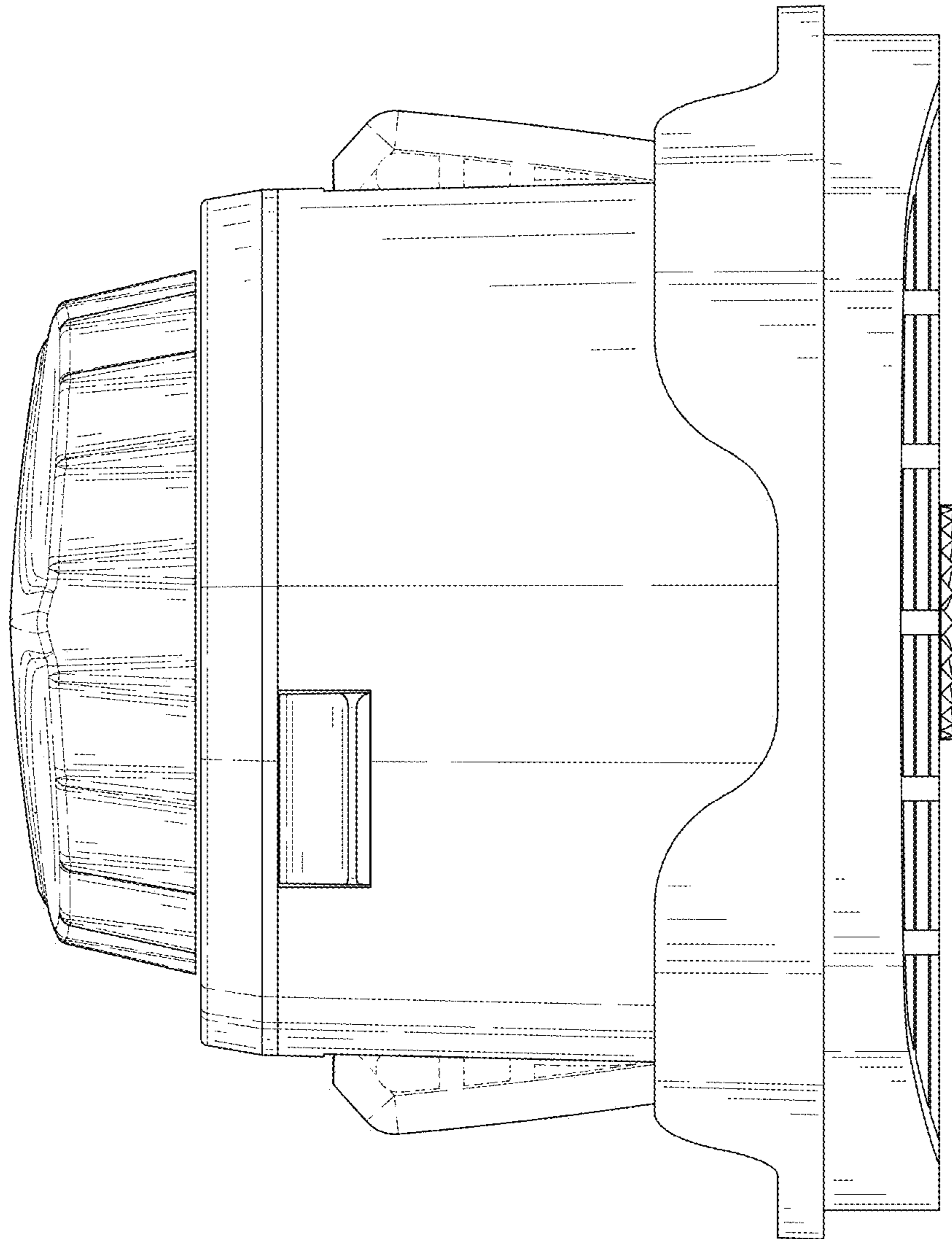


FIG. 6

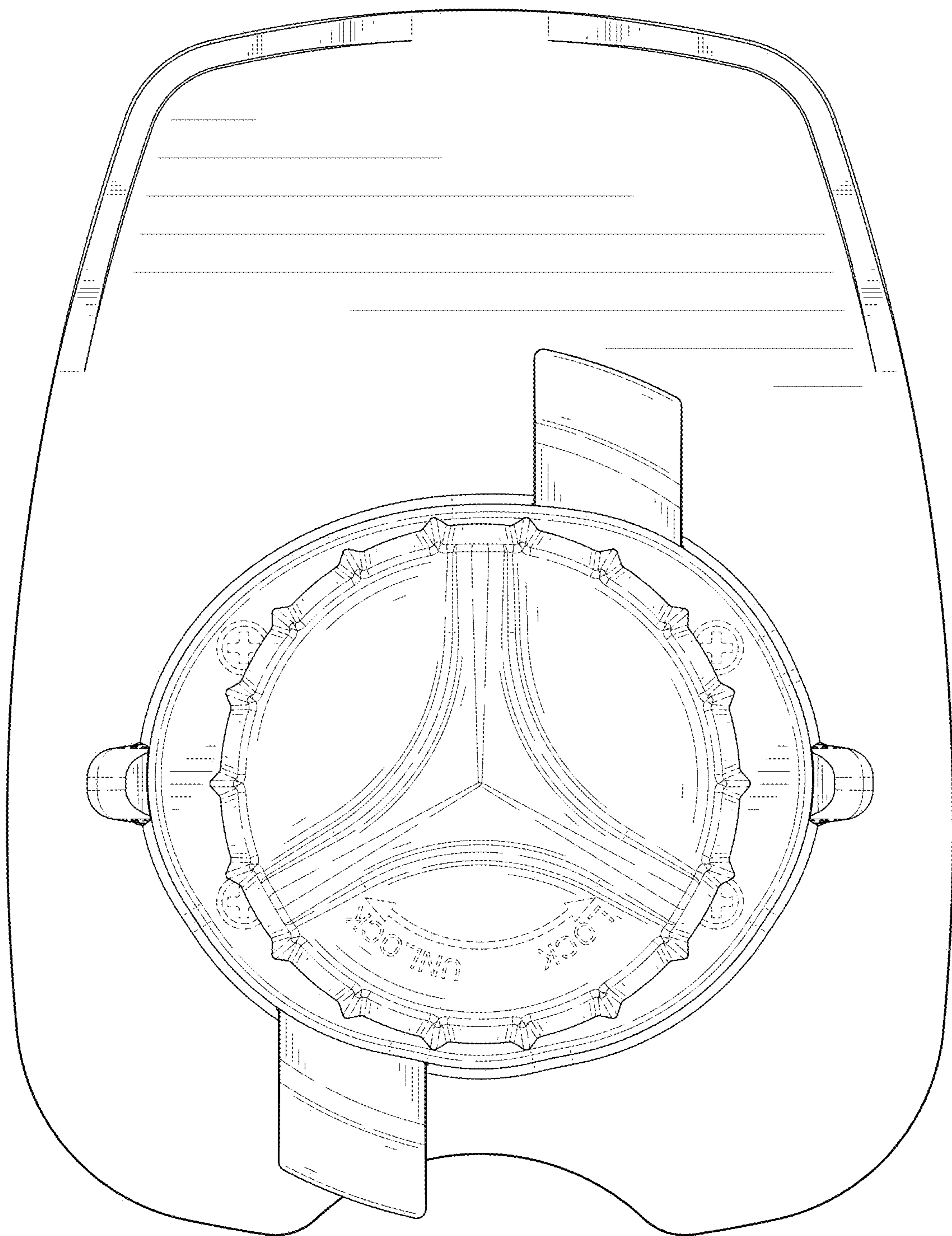


FIG. 7

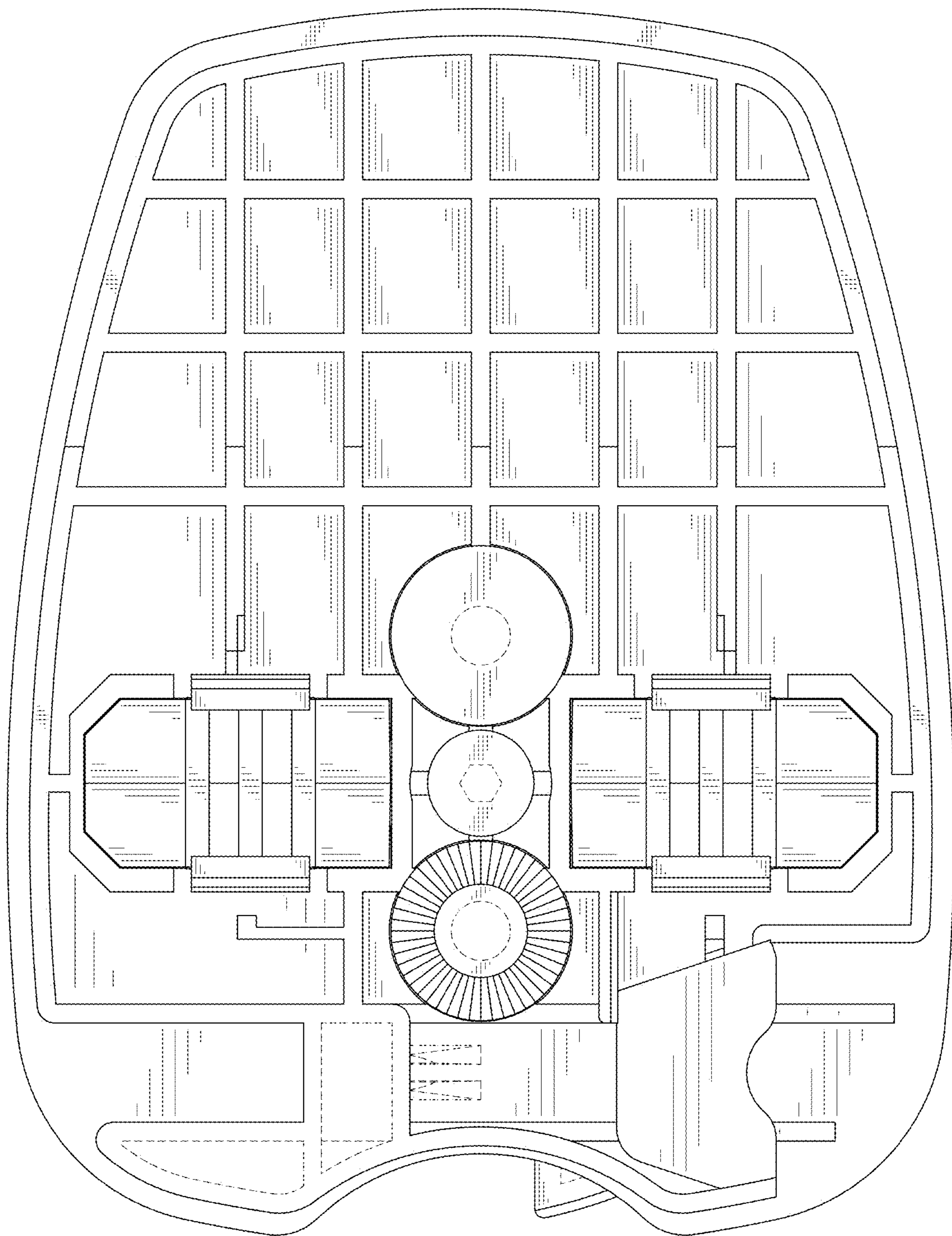


FIG. 8

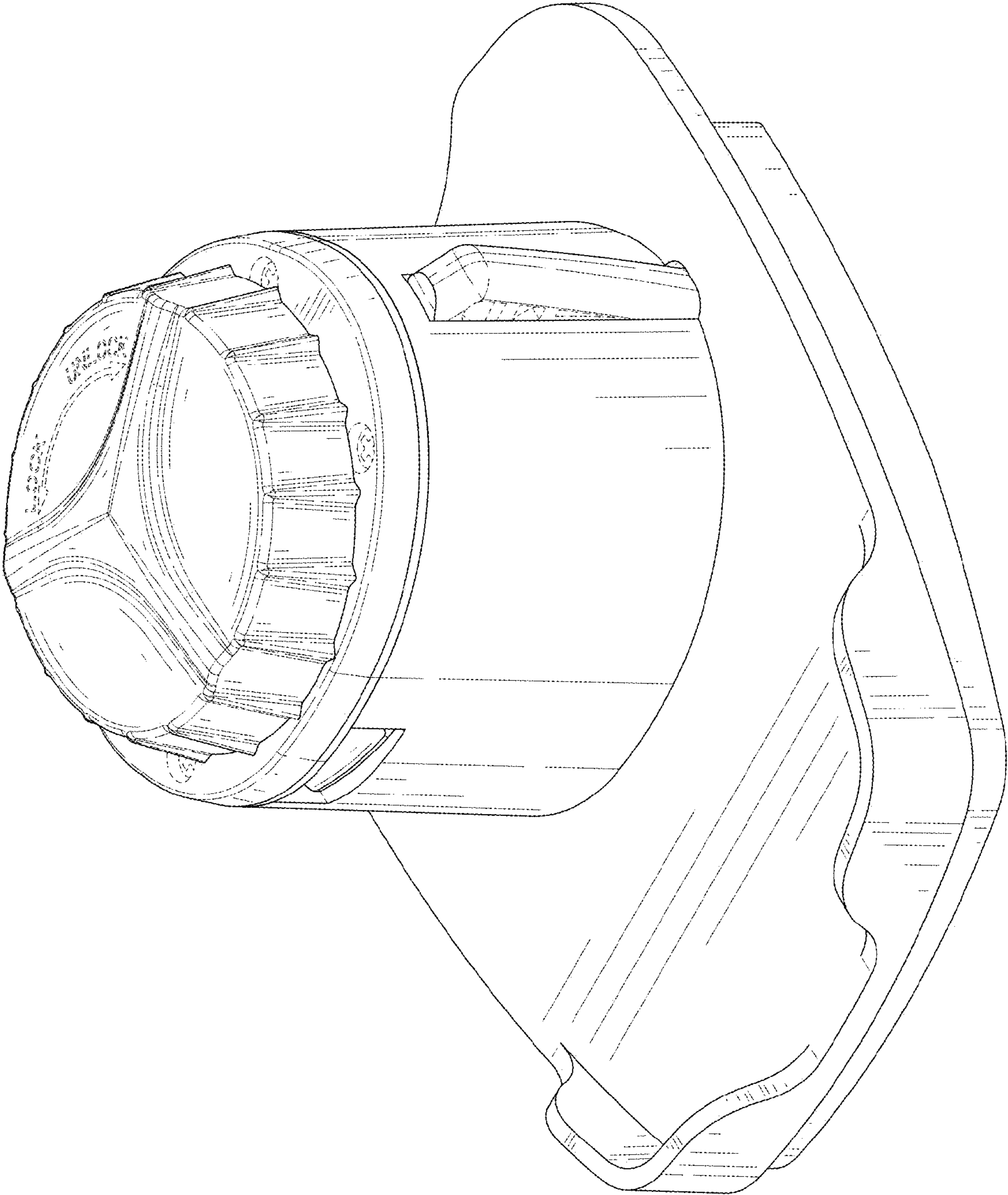


FIG. 9