



US00D985256S

(12) **United States Design Patent** (10) **Patent No.:** **US D985,256 S**
Wang (45) **Date of Patent:** **** May 9, 2023**

(54) **WALKER**
(71) Applicant: **Lei Wang, Ya'an (CN)**
(72) Inventor: **Lei Wang, Ya'an (CN)**
(**) Term: **15 Years**

(21) Appl. No.: **29/852,235**

(22) Filed: **Sep. 6, 2022**

(51) **LOC (14) Cl.** **21-01**

(52) **U.S. Cl.**
USPC **D21/432**

(58) **Field of Classification Search**
USPC D21/419, 421, 427, 432, 435; D12/111,
D12/112, 128, 130
CPC . B62K 9/00; B62K 9/02; B62K 13/00; B62K
13/04; A61H 3/04; A47D 13/04; A47D
13/043

See application file for complete search history.

(56) **References Cited**

U.S. PATENT DOCUMENTS

D296,774 S *	7/1988	Armstrong	D12/112
D469,477 S *	1/2003	Horchler	D21/424
D473,599 S *	4/2003	Horchler	D21/426
D587,764 S	3/2009	Cheng		
D597,146 S *	7/2009	Verlinden	D21/432
D597,147 S *	7/2009	Verlinden	D21/432
D673,623 S *	1/2013	De Roeck	D21/435
D701,271 S *	3/2014	Grout	D21/426
D716,878 S *	11/2014	Wu	D21/432
D725,003 S *	3/2015	Ye	D12/130
D735,620 S *	8/2015	Pape	B62K 9/00
				D21/432
D770,944 S *	11/2016	Aschenbrenner	D12/130
D828,786 S *	9/2018	Baker	D12/111
D841,521 S *	2/2019	Bao	D12/112
D842,384 S *	3/2019	Kirchschlager	D21/419
D869,564 S *	12/2019	van den Berg	D21/424

D896,319 S *	9/2020	Jiang	D21/432
D902,790 S	11/2020	Nowak et al.		
D910,767 S *	2/2021	Yang	D21/432
D918,780 S *	5/2021	Hsieh	D12/111
D935,947 S *	11/2021	Xie	D12/111
D947,952 S *	4/2022	Xie	D21/432
2013/0020777 A1 *	1/2013	Chen	B62K 9/00
				280/87.021
2013/0277934 A1 *	10/2013	De Roeck	B62K 9/02
				280/87.021
2015/0130150 A1 *	5/2015	O'Connell	B62K 15/00
				280/87.021

(Continued)

OTHER PUBLICATIONS

Humble-Bee Baby Balance Bike, amazon.com, https://www.amazon.com/HUMBLE-BEE-Balance-10-24-Months-Toddler/dp/B09TZXJTRC?ref=ast_sto_dp&th=1 (Year: 2022).*

(Continued)

Primary Examiner — Steven J Cxyz

(74) *Attorney, Agent, or Firm* — Rumit Ranjit Kanakia

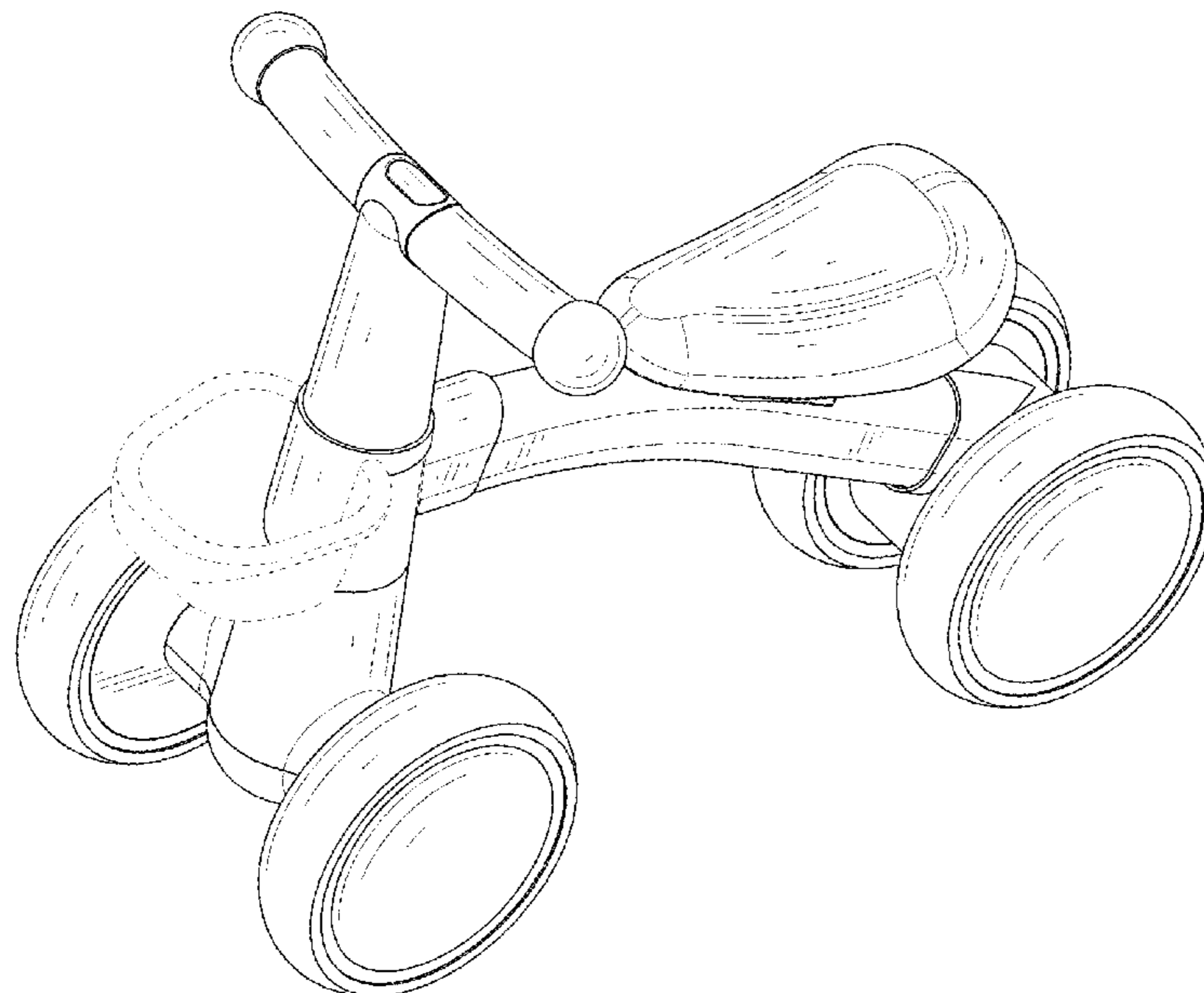
(57) **CLAIM**

The ornamental design for a walker, as shown and described.

DESCRIPTION

FIG. 1 is a first perspective view of a walker showing my new design;
FIG. 2 is a second perspective view thereof;
FIG. 3 is a front view thereof;
FIG. 4 is a back view thereof;
FIG. 5 is a left side view thereof;
FIG. 6 is a right side view thereof;
FIG. 7 is a top view thereof; and,
FIG. 8 is a bottom view thereof.
The broken lines shown in the drawings depict portions of the walker that form no part of the claimed design.

1 Claim, 8 Drawing Sheets



(56)

References Cited

U.S. PATENT DOCUMENTS

2015/0239292 A1* 8/2015 O'Connell B62K 19/30
280/87.021
2017/0291629 A1* 10/2017 O Connell B62K 15/006
2021/0094646 A1* 4/2021 Zhao B62J 50/40

OTHER PUBLICATIONS

Maysuke Baby Balance Bike, amazon.com, https://www.amazon.com/Maysuke-Balance-Toddler-Birthday-Christmas/dp/B09JMMZ83J?ref_=ast_sto_dp&th=1 (Year: 2022).*

Sereed Baby Balance Bike, amazon.com, https://www.amazon.com/SEREED-Balance-Toddler-Wheels-Birthday/dp/B08SGH7NKX?ref_=ast_sto_dp&th=1 (Year: 2021).*

Gamfeiny Baby balance Bike, amazon.com, https://www.amazon.com/Balance-Toddler-Silence-Pre-School-Birthday/dp/B0B5D621JN/ref=sr_1_2?keywords=Gamfeiny&qid=1669052886&sr=8-2&th=1 (Year: 2022).*

* cited by examiner

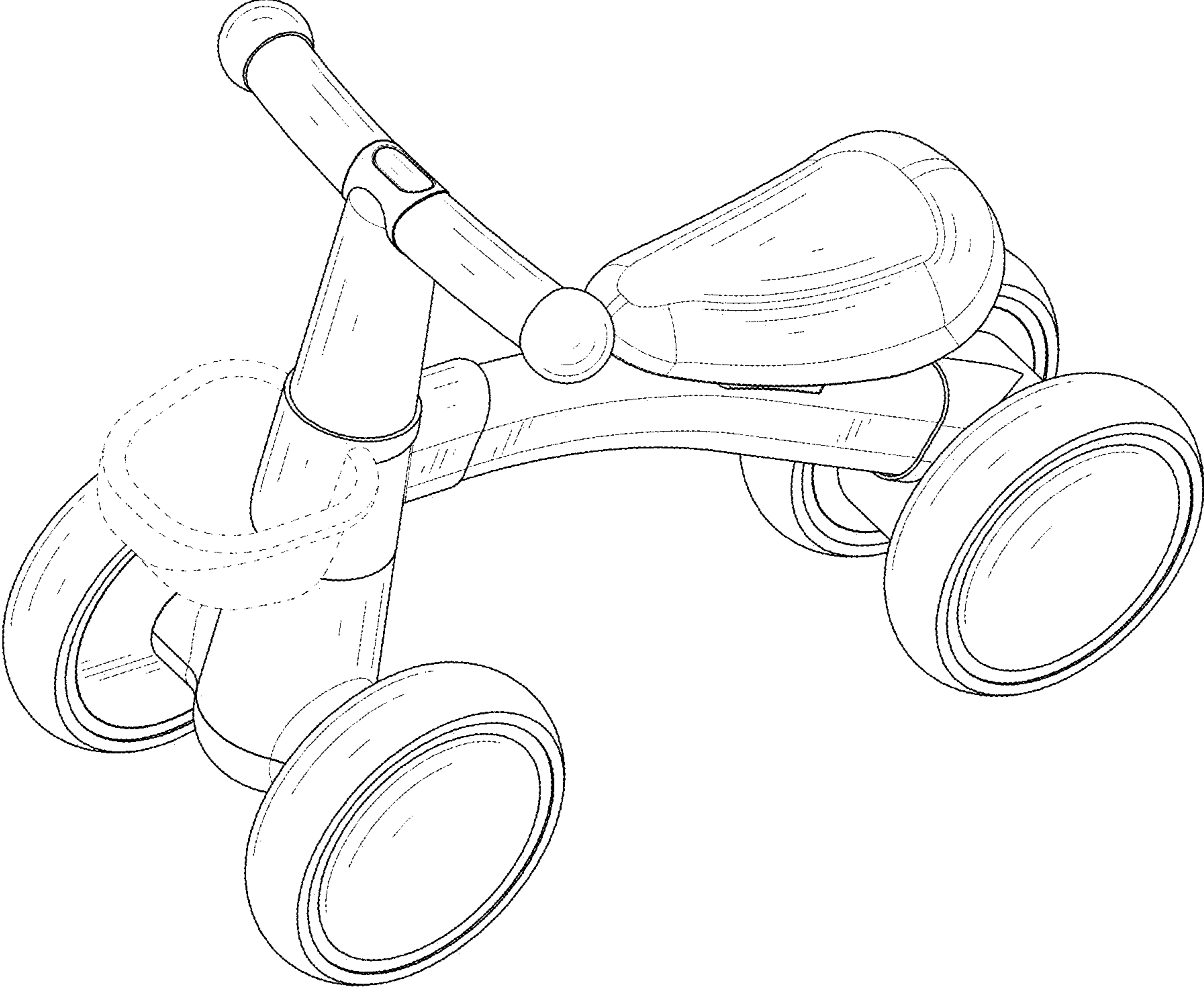


FIG. 1

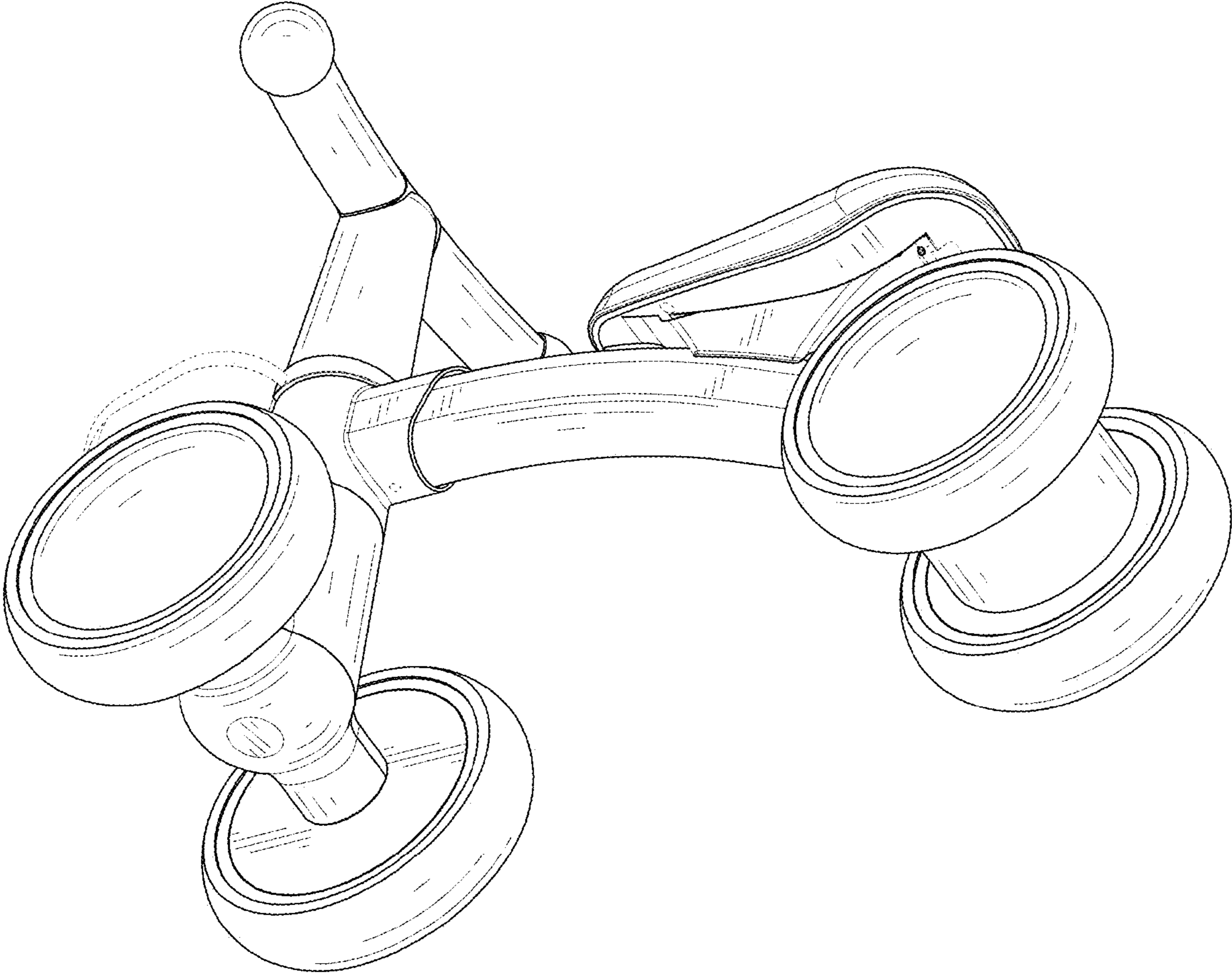


FIG. 2

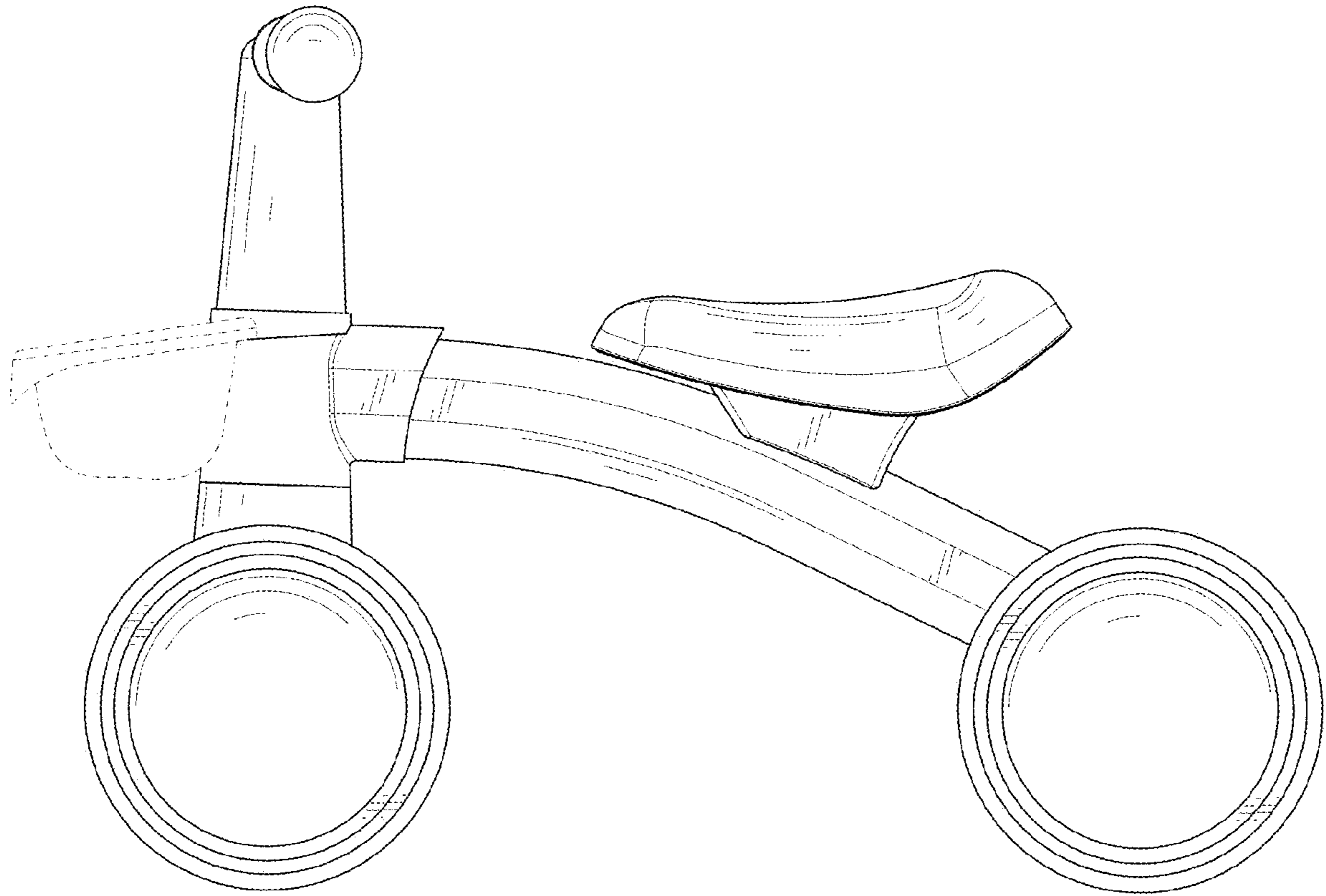


FIG. 3

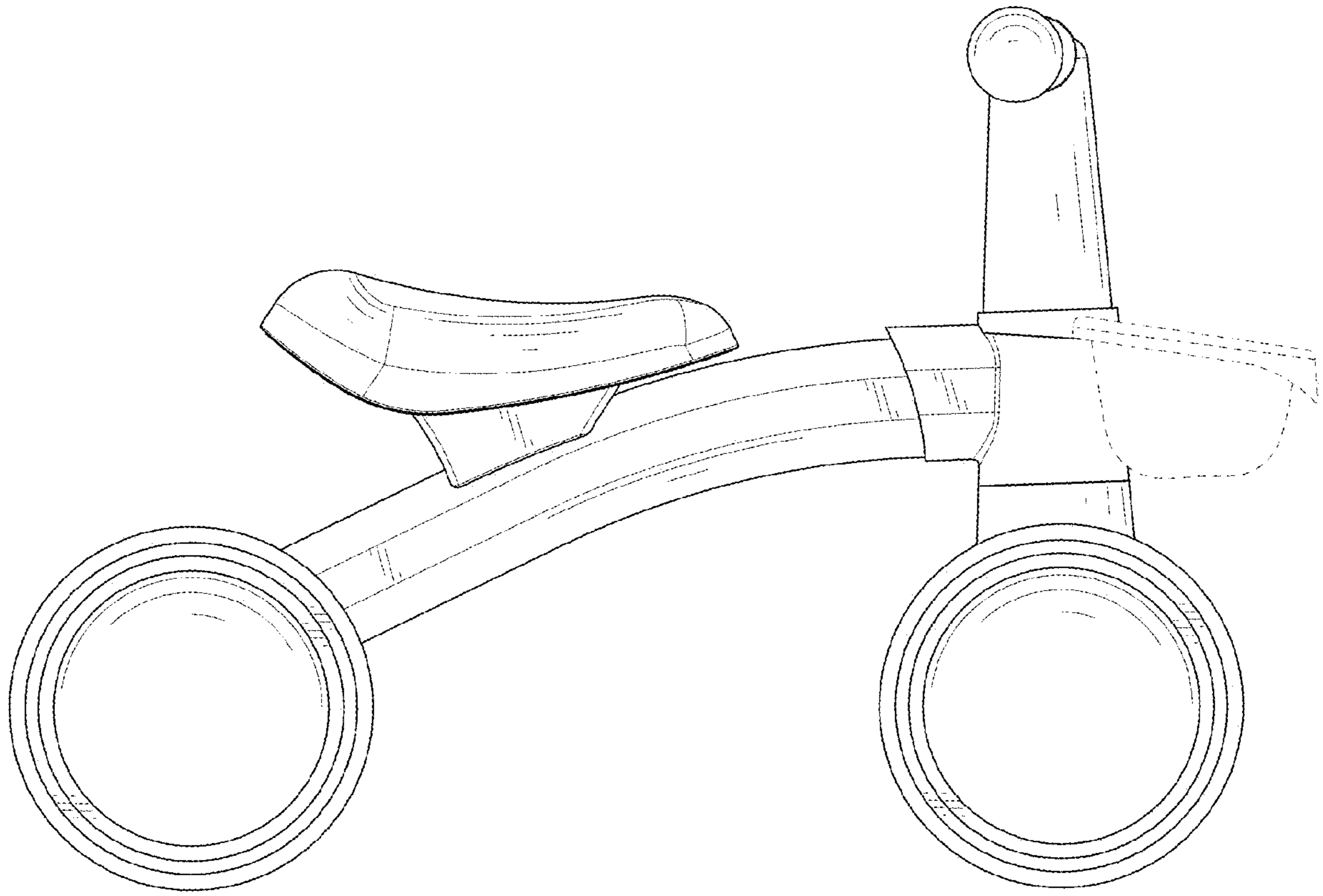


FIG. 4

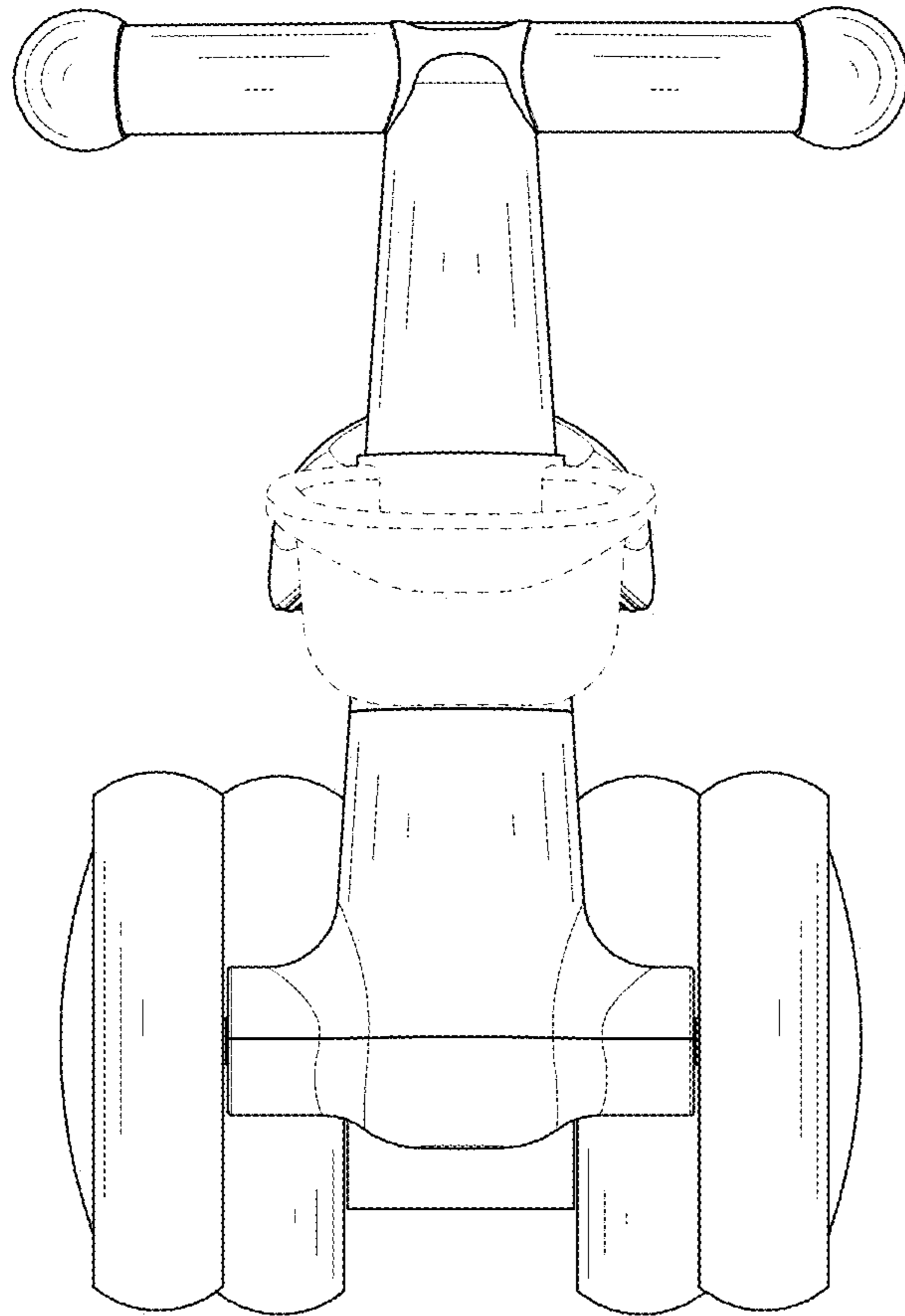


FIG. 5

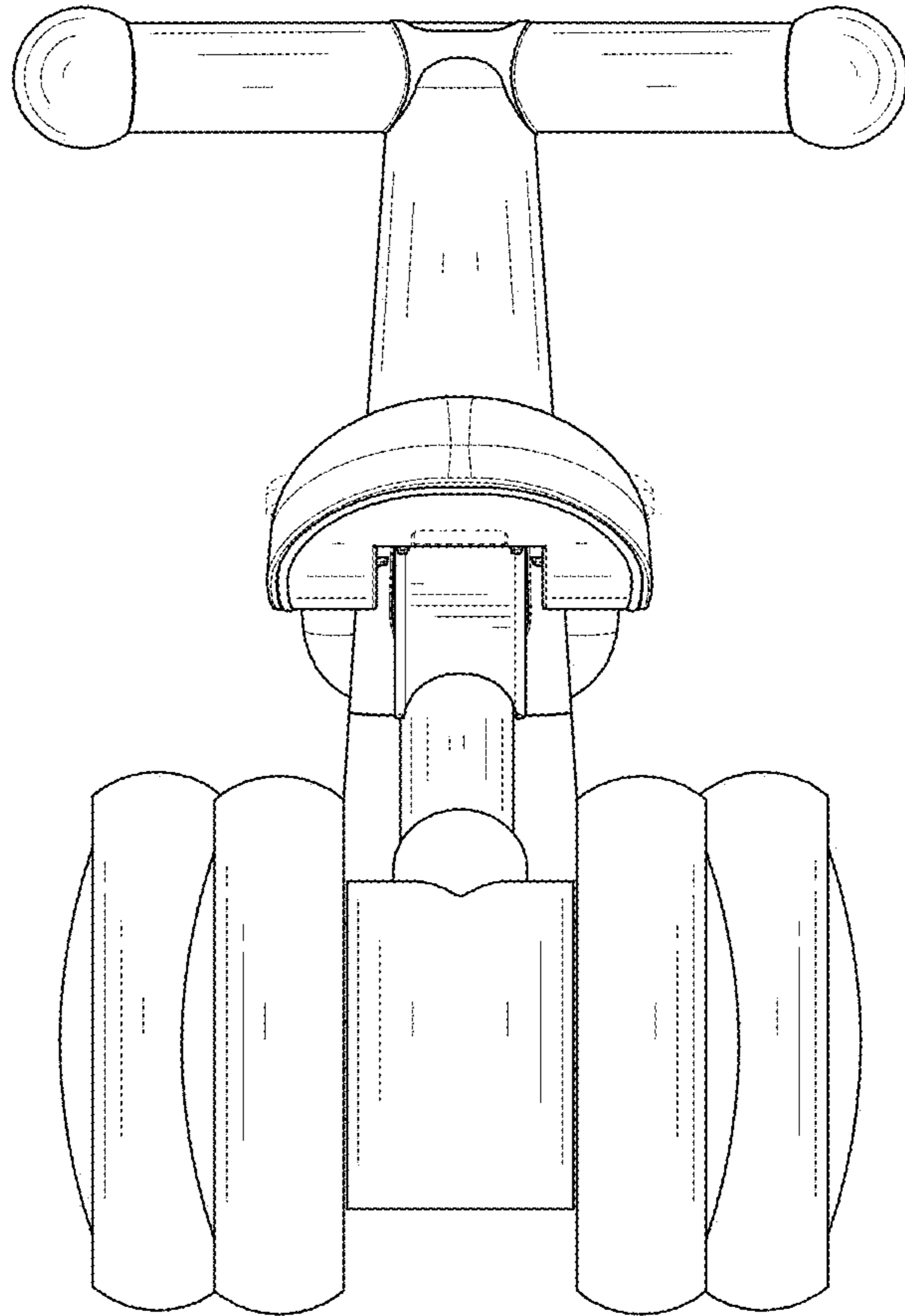


FIG. 6

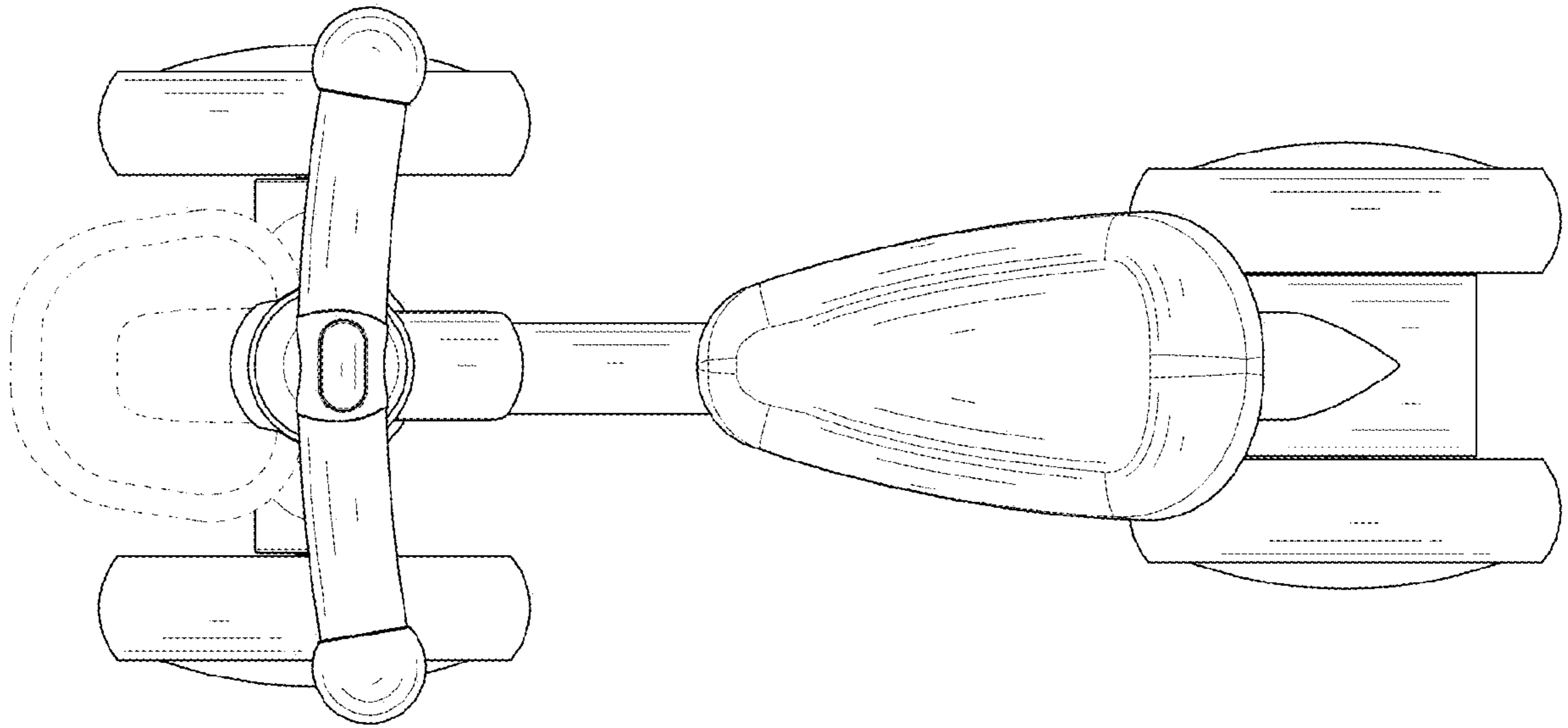


FIG. 7

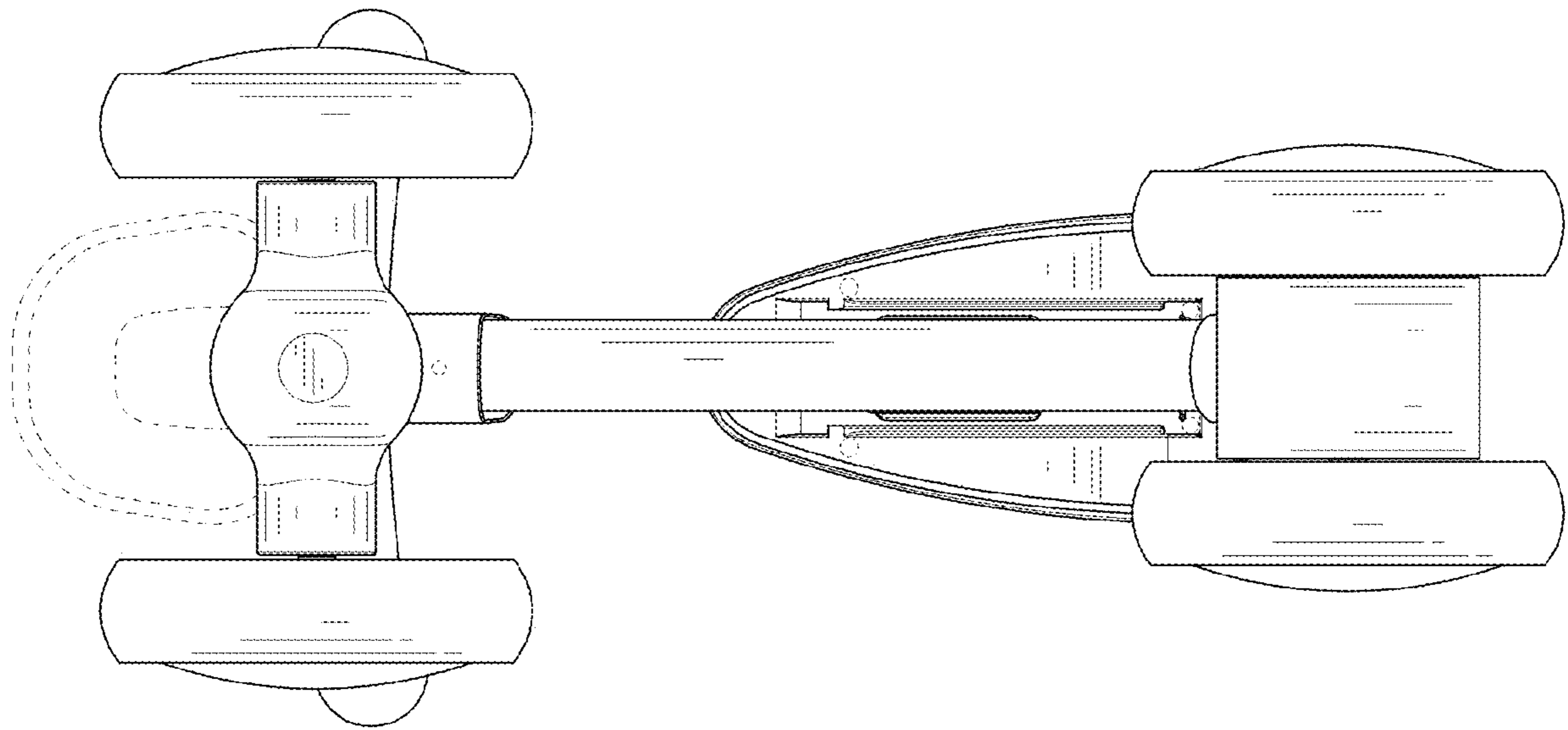


FIG. 8