



US00D985245S

(12) **United States Design Patent** (10) **Patent No.:** **US D985,245 S**
Chen (45) **Date of Patent:** **** May 9, 2023**

(54) **SOLE**
(71) Applicant: **Shaojian Chen**, Quanzhou (CN)
(72) Inventor: **Shaojian Chen**, Quanzhou (CN)
(73) Assignee: **Quanzhou Dingshuo Trading Co., Ltd.**, Quanzhou (CN)
(**) Term: **15 Years**
(21) Appl. No.: **29/797,530**
(22) Filed: **Jul. 1, 2021**
(51) **LOC (14) Cl.** **02-04**
(52) **U.S. Cl.**
USPC **D2/968**; D2/947; D2/961
(58) **Field of Classification Search**
USPC D2/902–908, 914, 946, 947–962, 968
CPC A43B 1/10; A43B 1/12; A43B 1/14; A43B 13/00; A43B 13/04; A43B 13/14; A43B 13/182; A43B 5/00; A43B 5/02; A43B 5/06
See application file for complete search history.

(56) **References Cited**
U.S. PATENT DOCUMENTS
D328,968 S * 9/1992 Tinker D2/977
D329,941 S * 10/1992 Hatfield D2/953
D605,836 S * 12/2009 Foust B32B 1/00
D616,188 S * 5/2010 Chan D2/977
D643,196 S * 8/2011 Young D2/951
D644,826 S * 9/2011 Portzline D2/951
D707,932 S * 7/2014 Lonigan D2/954
D805,746 S * 12/2017 Vega D2/951
D830,044 S * 10/2018 Hardy D2/953
D863,744 S * 10/2019 Della Valle D2/953
10,492,565 B2 * 12/2019 Cass B32B 1/00

D871,748 S * 1/2020 Della Valle A43B 13/183
D2/977
D922,045 S 6/2021 Goussev et al.
D922,048 S 6/2021 Bramani
D922,744 S 6/2021 Hardy
D923,300 S 6/2021 Brunner
D925,185 S * 7/2021 Gerbase D2/959
D937,548 S * 12/2021 Verrecchia D2/947
D964,708 S * 9/2022 Popovic D2/947
11,452,334 B2 * 9/2022 Eldem A43B 13/16
2007/0209230 A1 * 9/2007 Dillon A43B 13/183
36/102

OTHER PUBLICATIONS

Nicholas Rizzo, The Complete Science-Backed Guide to Lifting Shoes: Barefoot and Beyond, announced Aug. 6, 2021 [online], [site visited Oct. 3, 2022], Available from internet, URL: <https://runrepeat.com/complete-guide-lifting-shoes> (Year: 2021).*

* cited by examiner

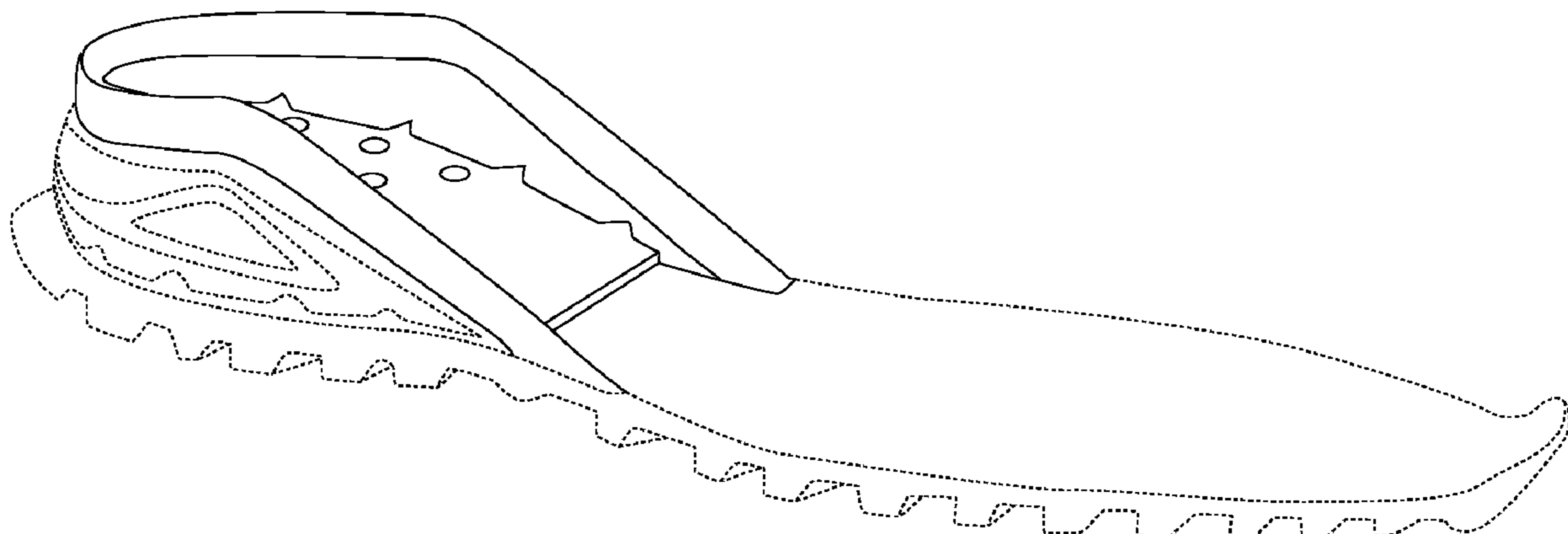
Primary Examiner — Leanne Was-Englehart
Assistant Examiner — Yelizaveta Y Masalimova

(57) **CLAIM**
The ornamental design for a sole, as shown and described.

DESCRIPTION

FIG. 1 is a perspective view of a sole showing my new design;
FIG. 2 is a right side elevational view thereof;
FIG. 3 is a left side elevational view thereof;
FIG. 4 is a top plan view thereof;
FIG. 5 is a bottom plan view thereof;
FIG. 6 is a front elevational view thereof; and,
FIG. 7 is a rear elevational view thereof.
The broken lines throughout the drawing figures depict portions of the sole that form no part of the claimed design.

1 Claim, 7 Drawing Sheets



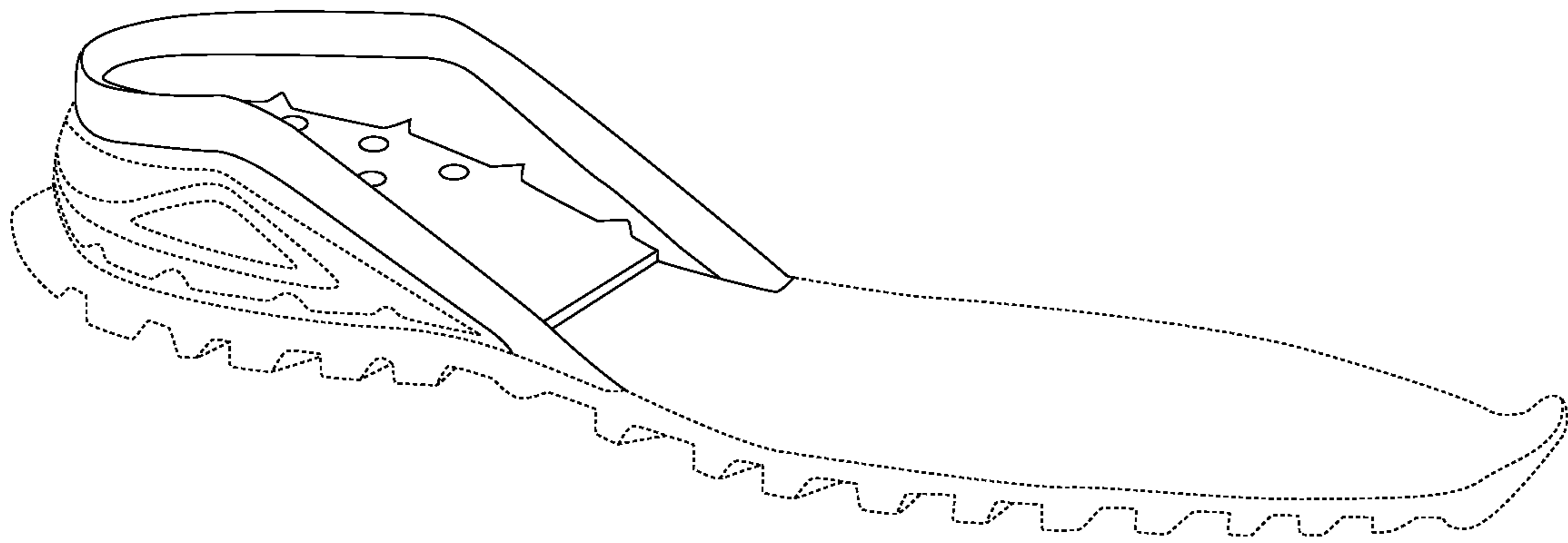


FIG.1

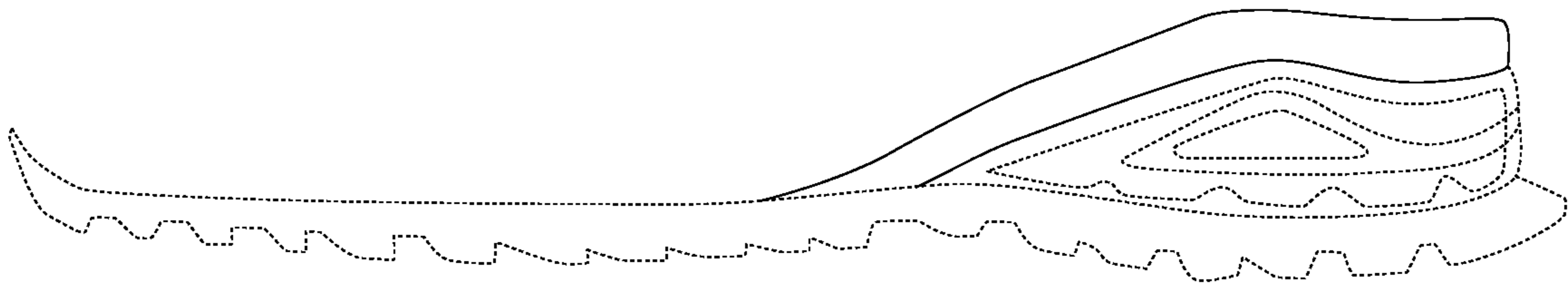


FIG.2

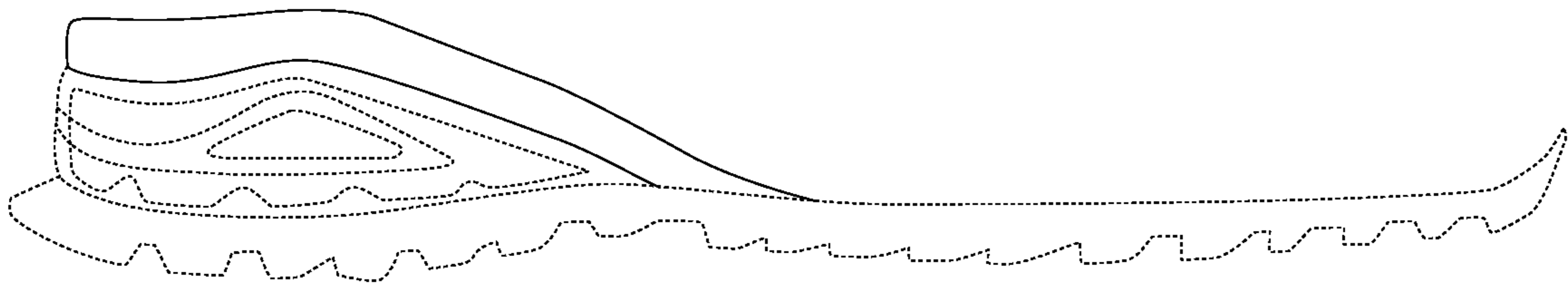


FIG.3

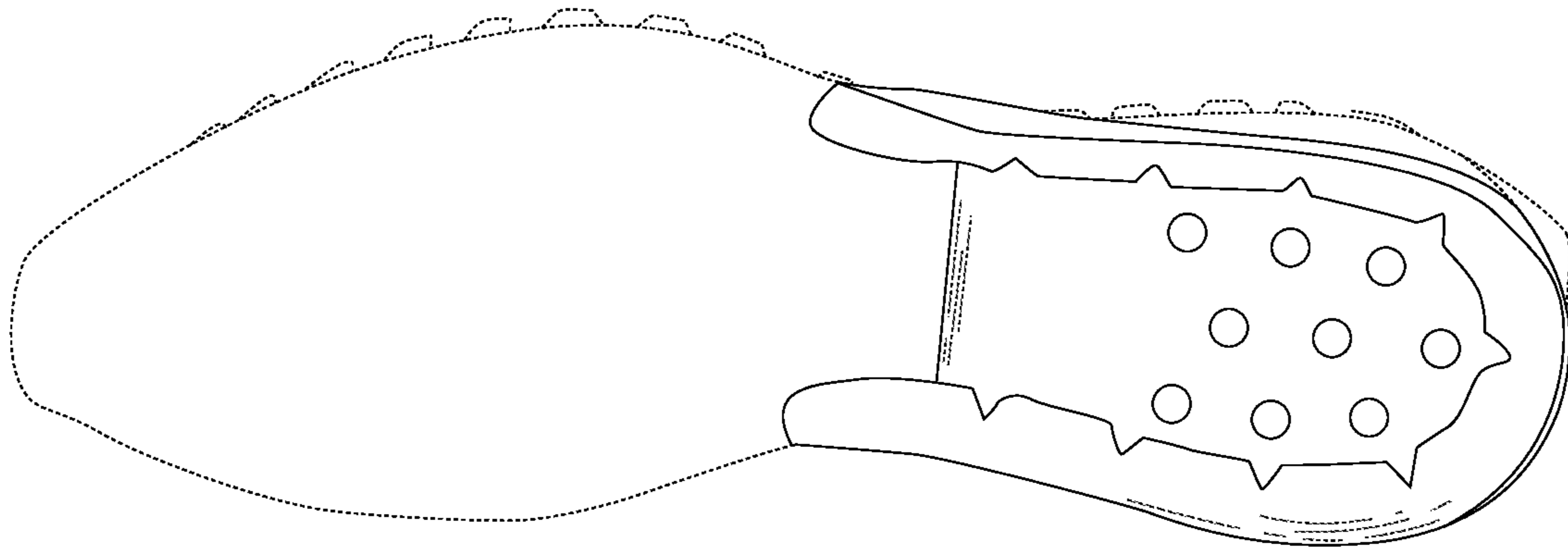


FIG.4

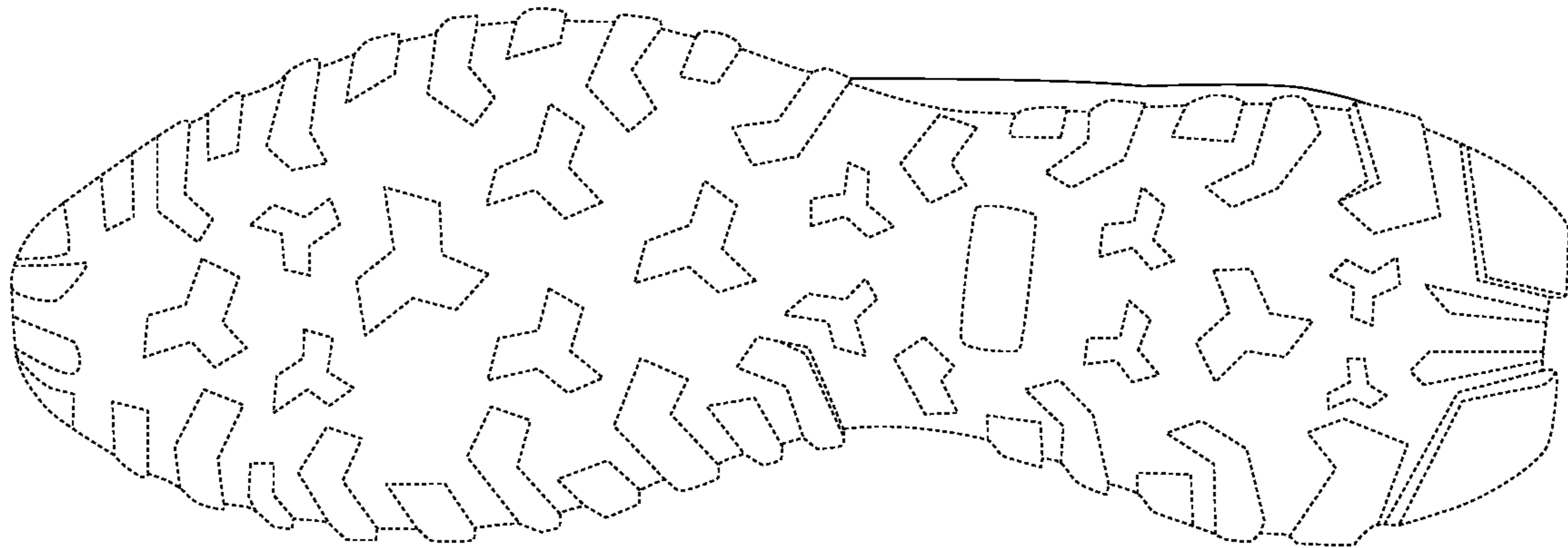


FIG.5

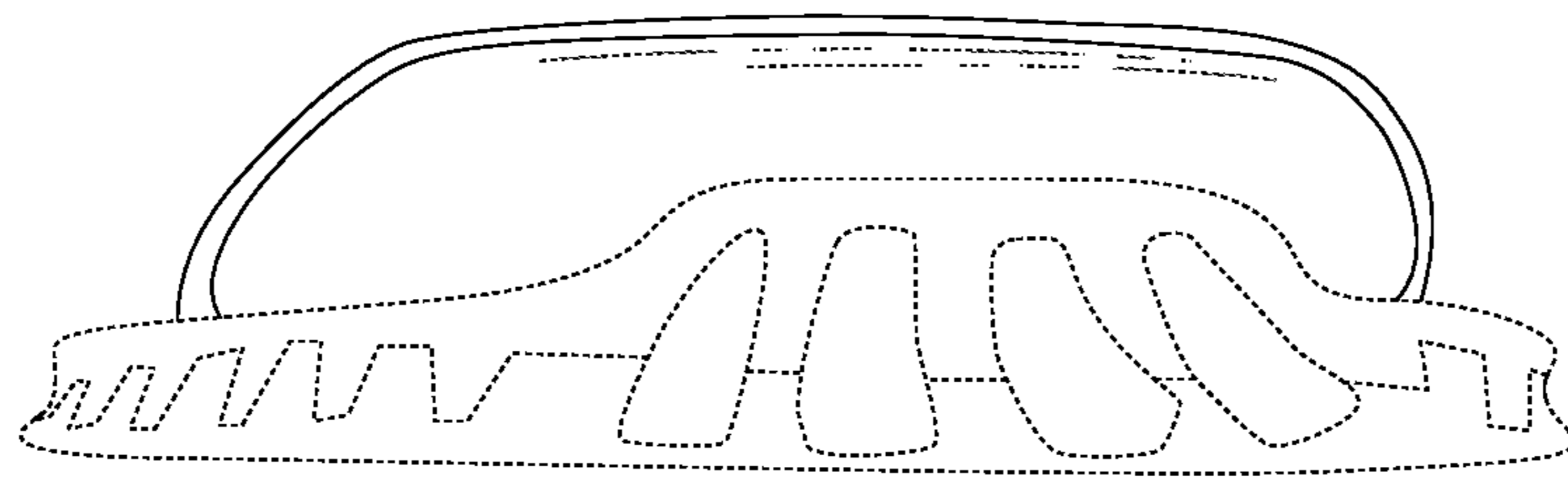


FIG.6

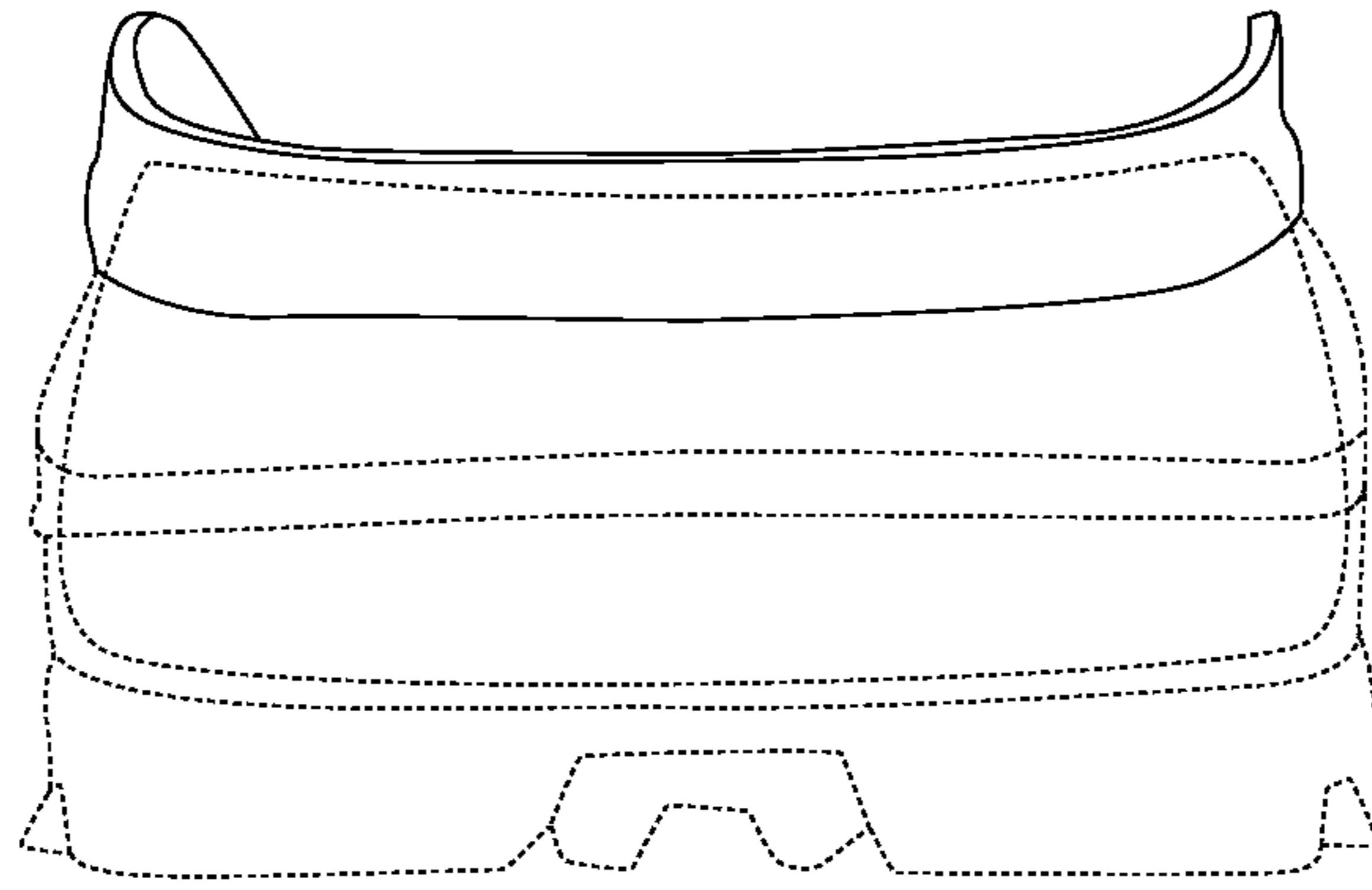


FIG.7