



US00D985241S

(12) **United States Design Patent**  
**Xiao**

(10) **Patent No.:** **US D985,241 S**

(45) **Date of Patent:** **\*\* May 9, 2023**

(54) **ROLLER SHOE WITH SMALL FOUR WHEELS**

(71) Applicant: **Songquan Xiao**, Jinjiang (CN)

(72) Inventor: **Songquan Xiao**, Jinjiang (CN)

(\*\*) Term: **15 Years**

(21) Appl. No.: **29/827,399**

(22) Filed: **Feb. 18, 2022**

(51) **LOC (14) Cl.** ..... **02-04**

(52) **U.S. Cl.**

USPC ..... **D2/904**; D21/763

(58) **Field of Classification Search**

USPC ..... D2/896, 897, 900, 902, 904, 905, 907,  
D2/908, 943, 944, 946, 947, 969, 972,  
D2/760, 763, 764, 771

CPC .... A43B 1/00; A43B 1/10; A43B 1/12; A43B  
1/14; A43B 5/1633; A63C 17/20; A63C  
17/008; A63C 17/002; A63C 17/0013

See application file for complete search history.

D482,750 S 11/2003 Magerer et al.

6,698,769 B2 \* 3/2004 Adams ..... A63C 17/20  
280/11.233

7,063,336 B2 \* 6/2006 Adams ..... A63C 17/24  
280/841

D579,638 S 11/2008 Lin

7,610,972 B2 \* 11/2009 Adams ..... A43B 3/34  
180/181

D741,969 S 10/2015 Green

D797,226 S 9/2017 Wu

D896,333 S 9/2020 Liu

D903,800 S 12/2020 Guo

D955,092 S \* 6/2022 Shi ..... D2/904

11,503,879 B2 \* 11/2022 Maia ..... A43C 19/00

\* cited by examiner

*Primary Examiner* — Rashida C. Walshon

(74) *Attorney, Agent, or Firm* — Xiaofang Zhong

(57) **CLAIM**

The ornamental design for a roller shoe with small four wheels, as shown and described.

**DESCRIPTION**

FIG. 1 is a perspective view of a roller shoe with small four wheels showing my new design;  
FIG. 2 is a front elevational view thereof;  
FIG. 3 is a rear elevational view thereof;  
FIG. 4 is a right view thereof;  
FIG. 5 is a left view thereof;  
FIG. 6 is a top plan view thereof;  
FIG. 7 is a bottom plan view thereof; and,  
FIG. 8 is a bottom plan view with the front two wheels in a detached position and rear two wheels receded inside the roller shoe with small four wheels thereof.

**1 Claim, 8 Drawing Sheets**

(56) **References Cited**

U.S. PATENT DOCUMENTS

D261,542 S 10/1981 Landay

4,442,614 A \* 4/1984 Farberov ..... A63H 3/52  
36/103

D346,417 S 4/1994 Chen

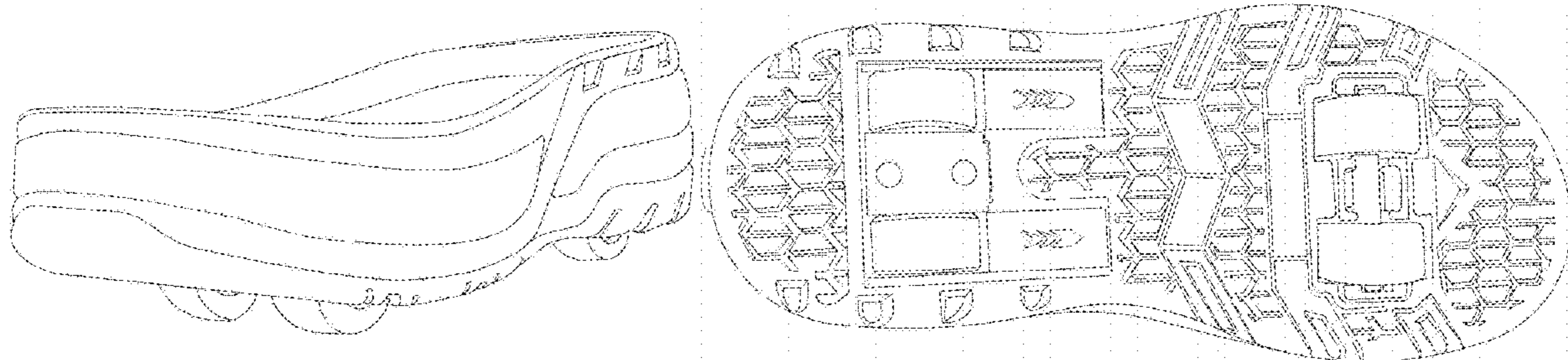
5,398,970 A \* 3/1995 Tucky ..... A43B 5/1633  
280/841

5,511,824 A \* 4/1996 Kim ..... A63C 17/20  
280/841

6,120,039 A \* 9/2000 Clementi ..... A43B 5/1633  
280/11.19

6,406,038 B2 \* 6/2002 Adams ..... A63C 17/08  
301/5.301

D459,777 S \* 7/2002 Yang ..... D21/763



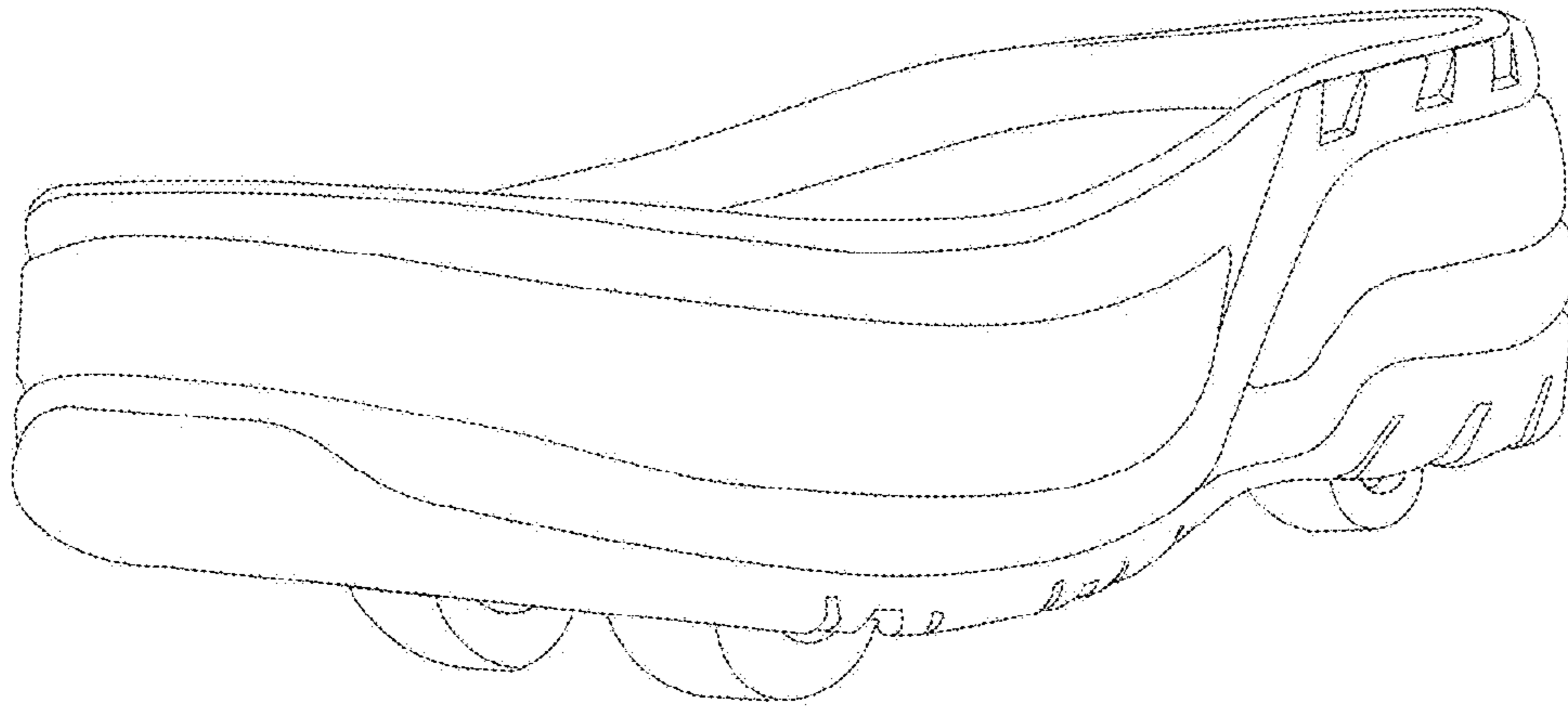


FIG 1

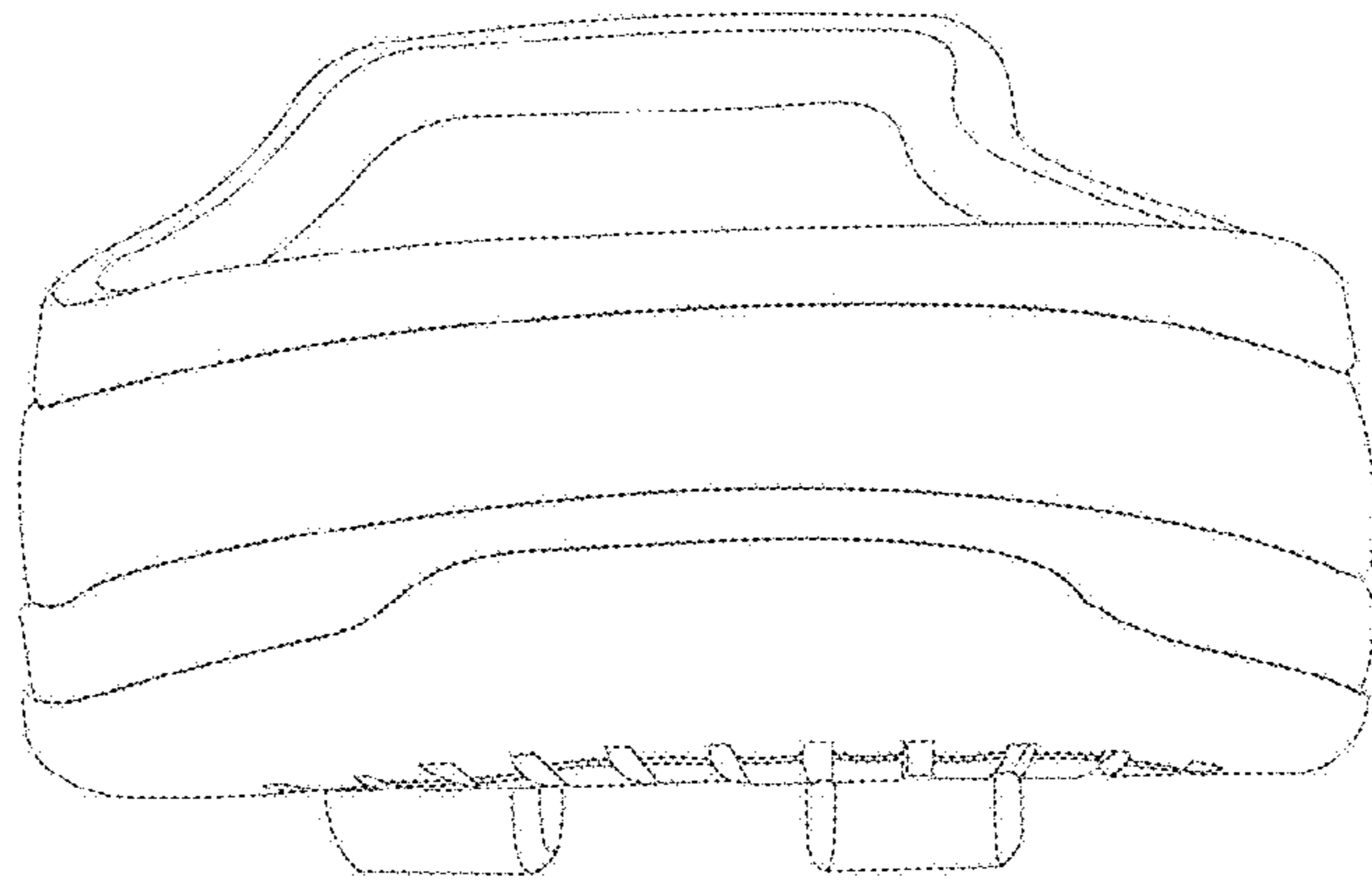


FIG 2

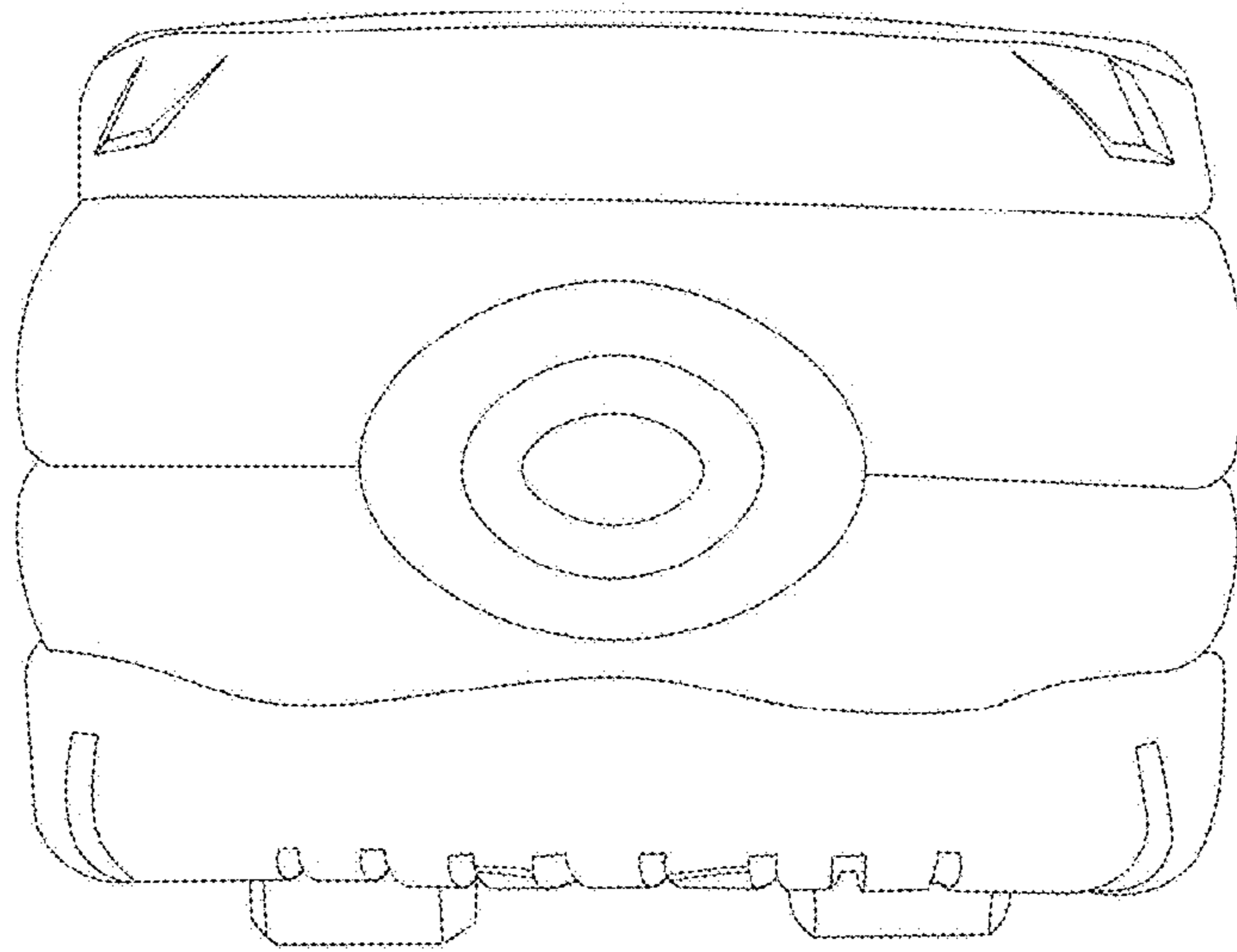


FIG 3

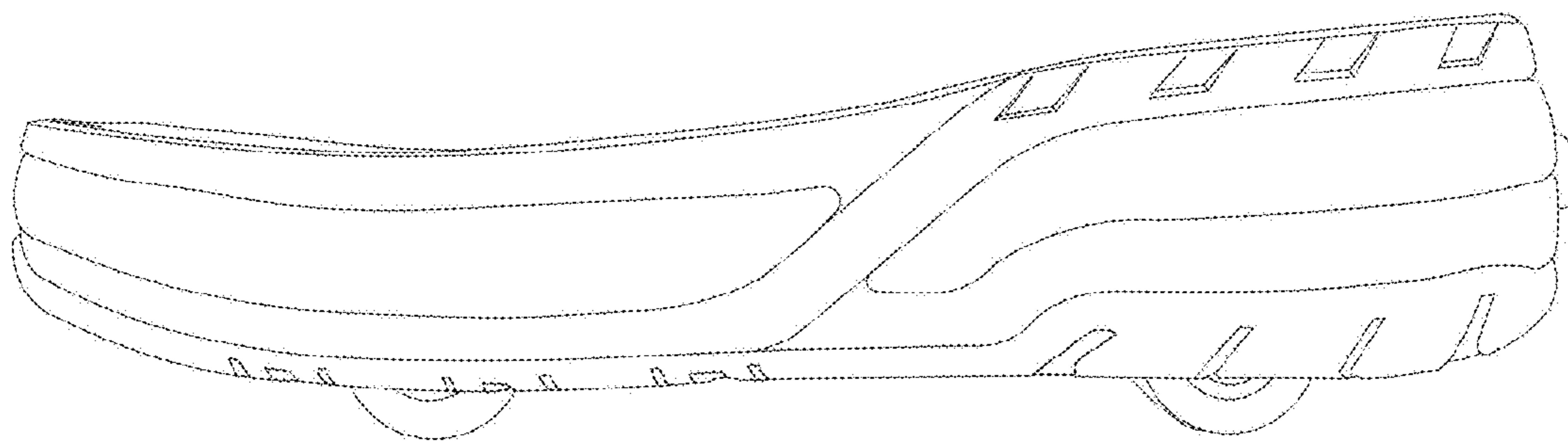


FIG 4

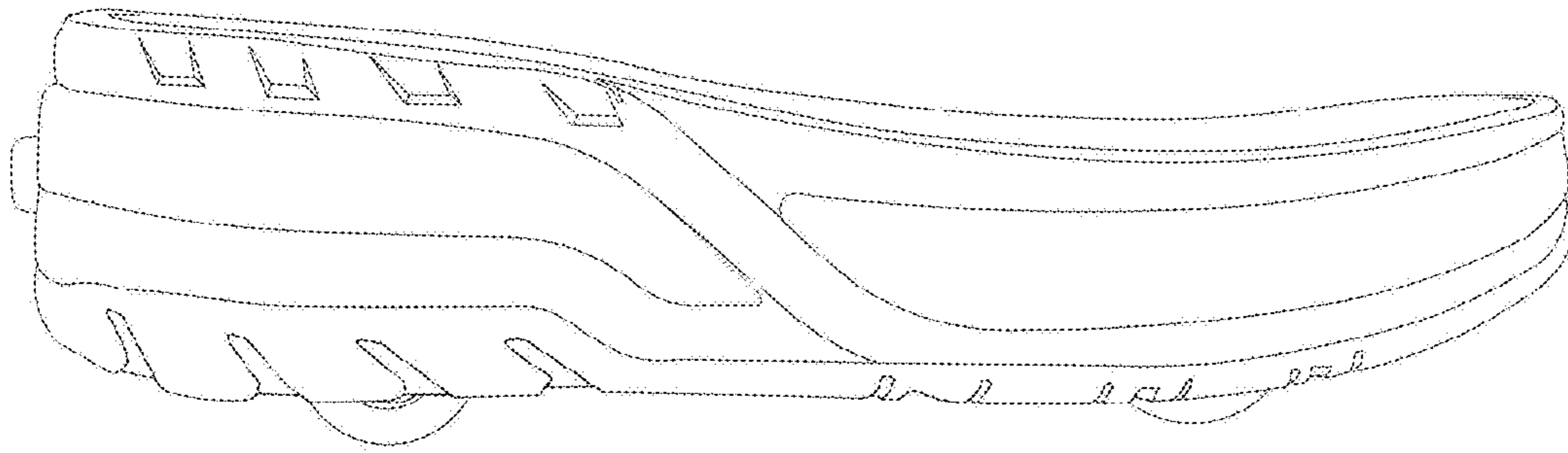


FIG 5

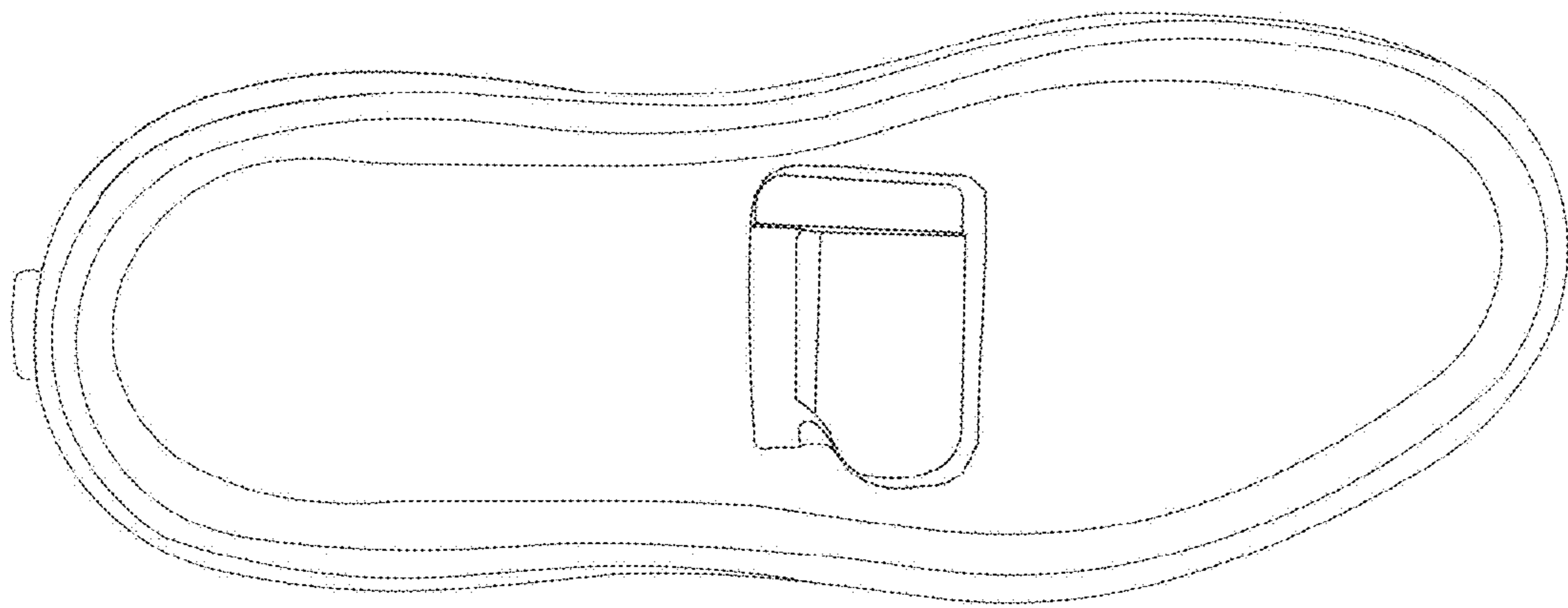


FIG 6

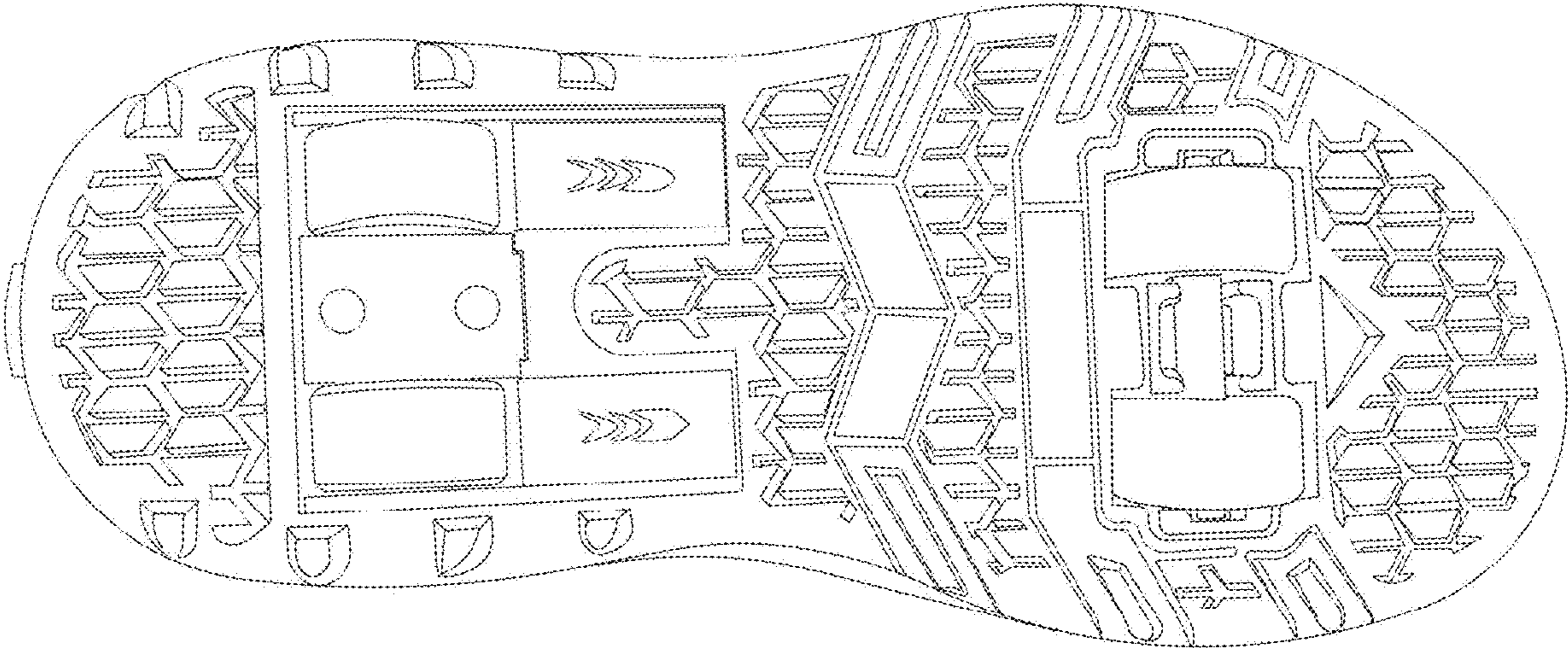


FIG 7



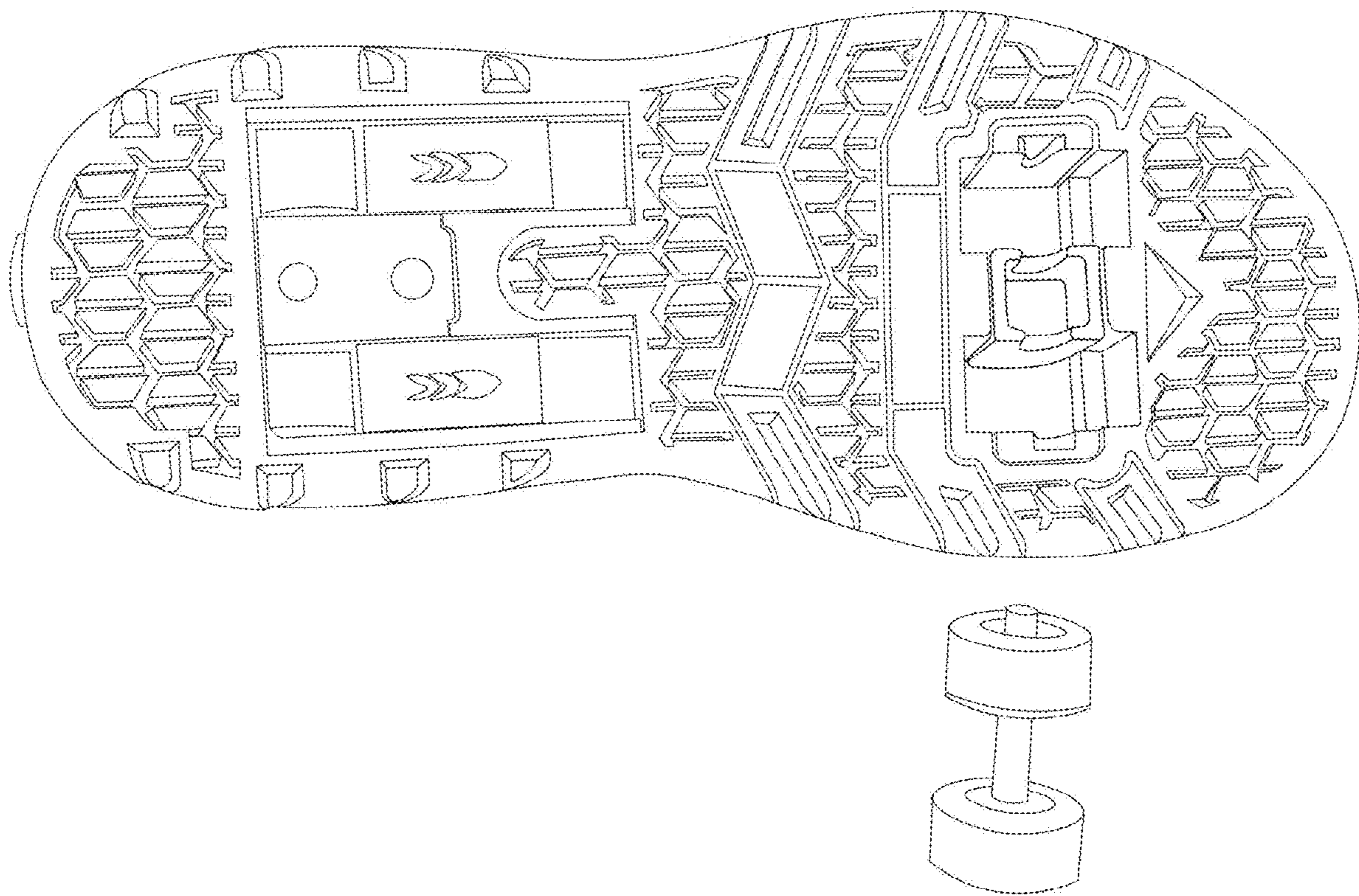


FIG 8