



US00D985238S

(12) **United States Design Patent** (10) **Patent No.:** **US D985,238 S**
Peng (45) **Date of Patent:** **** May 9, 2023**

(54) **RIDING MASK WITH MUSIC PLAYER**
(71) Applicant: **SHENZHEN ASIKE TRADE CO., LTD**, Shenzhen (CN)
(72) Inventor: **Xiong Peng**, Shenzhen (CN)
(73) Assignee: **SHENZHEN ASIKE TRADE CO., LTD**, Shenzhen (CN)
(**) Term: **15 Years**
(21) Appl. No.: **29/821,432**
(22) Filed: **Dec. 29, 2021**
(51) **LOC (14) Cl.** **02-03**
(52) **U.S. Cl.**
USPC **D2/878**; D29/108; D14/192
(58) **Field of Classification Search**
USPC D2/728, 823, 824, 825, 828, 831, 865,
D2/866, 867, 870, 874, 877, 878, 880,
D2/881, 883, 884, 889; D29/106, 107,
D29/108; D14/192, 205; D26/39
CPC A41D 2200/20; A41D 2300/30; A41D
27/12; A41D 3/00; A41D 3/005; A41D
3/02; A41D 3/04; A41D 3/08; A42B 1/00;
A42B 1/02; A42B 1/04; A42B 1/041;
A42B 1/043; A42B 1/046; A42B 1/06;
A42B 1/201; A42B 1/22; A42B 3/00;
A42B 3/18; A42B 5/00; A42B 7/00;
A62B 17/003; A62B 17/005; A62B
17/006; A62B 17/04
See application file for complete search history.

(56) **References Cited**

U.S. PATENT DOCUMENTS

D384,791 S * 10/1997 Juergens D2/866
D406,936 S * 3/1999 Sivret D2/881
6,272,690 B1 * 8/2001 Carey A41D 13/1153
2/9
7,603,724 B2 * 10/2009 Mickle A42B 1/046
2/202
9,986,777 B2 * 6/2018 Morgan A42B 1/046
D826,477 S 8/2018 Chen

D831,308 S * 10/2018 Lu D2/881
D849,328 S * 5/2019 Tang D29/107
D868,960 S 12/2019 Tu et al.
D959,404 S * 8/2022 Li D14/205
D972,815 S * 12/2022 Wang D29/108
2021/0127773 A1 * 5/2021 Lowder A41D 27/28

OTHER PUBLICATIONS

PolarForce Balaclava, [online]; [review published to the internet approximately on Jan. 25, 2019]; [retrieved from the internet on Jan. 25, 2023]; URL: https://refrigiwear.com/product/polarforce-balaclava/?tf_source=google&tf_medium=ppc&tf_campaign=17123976639&tf_term=&tf_content=142153548453&gclid=EAiaIQobChMImdCws-Lj_AIVIIvICH3MKAxrEAQYASABEgJpBfD_BwE (5 pages). (Year: 2019).*

* cited by examiner

Primary Examiner — Jasmine Mlinarcik
(74) *Attorney, Agent, or Firm* — Nitin Kaushik

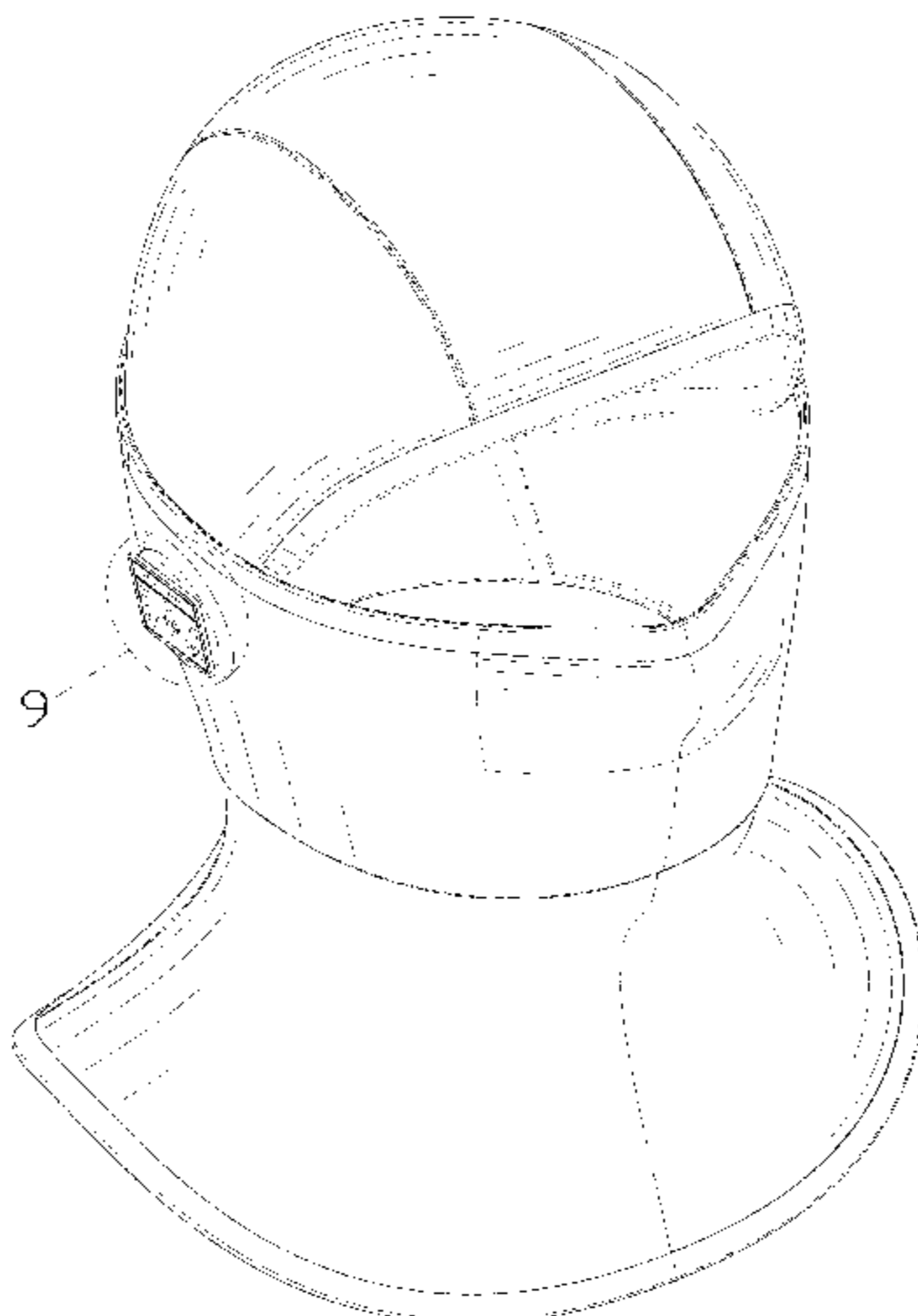
(57) **CLAIM**

The ornamental design for a riding mask with music player, as shown and described.

DESCRIPTION

FIG. 1 is a perspective view of a riding mask with music player showing my new design;
FIG. 2 is another perspective view thereof;
FIG. 3 is a front elevational view thereof;
FIG. 4 is a rear elevational view thereof;
FIG. 5 is a left side elevational view thereof;
FIG. 6 is a right side elevational view thereof;
FIG. 7 is a top plan view thereof;
FIG. 8 is a bottom plan view thereof; and,
FIG. 9 is an enlarged view of portion 9 shown in FIG. 1.
The dash-dash broken lines in the drawings depict portions of the riding mask with music player that form no part of the claimed design. The dot-dash broken lines represent boundaries of the enlarged portion and form no part of the claimed design.

1 Claim, 9 Drawing Sheets



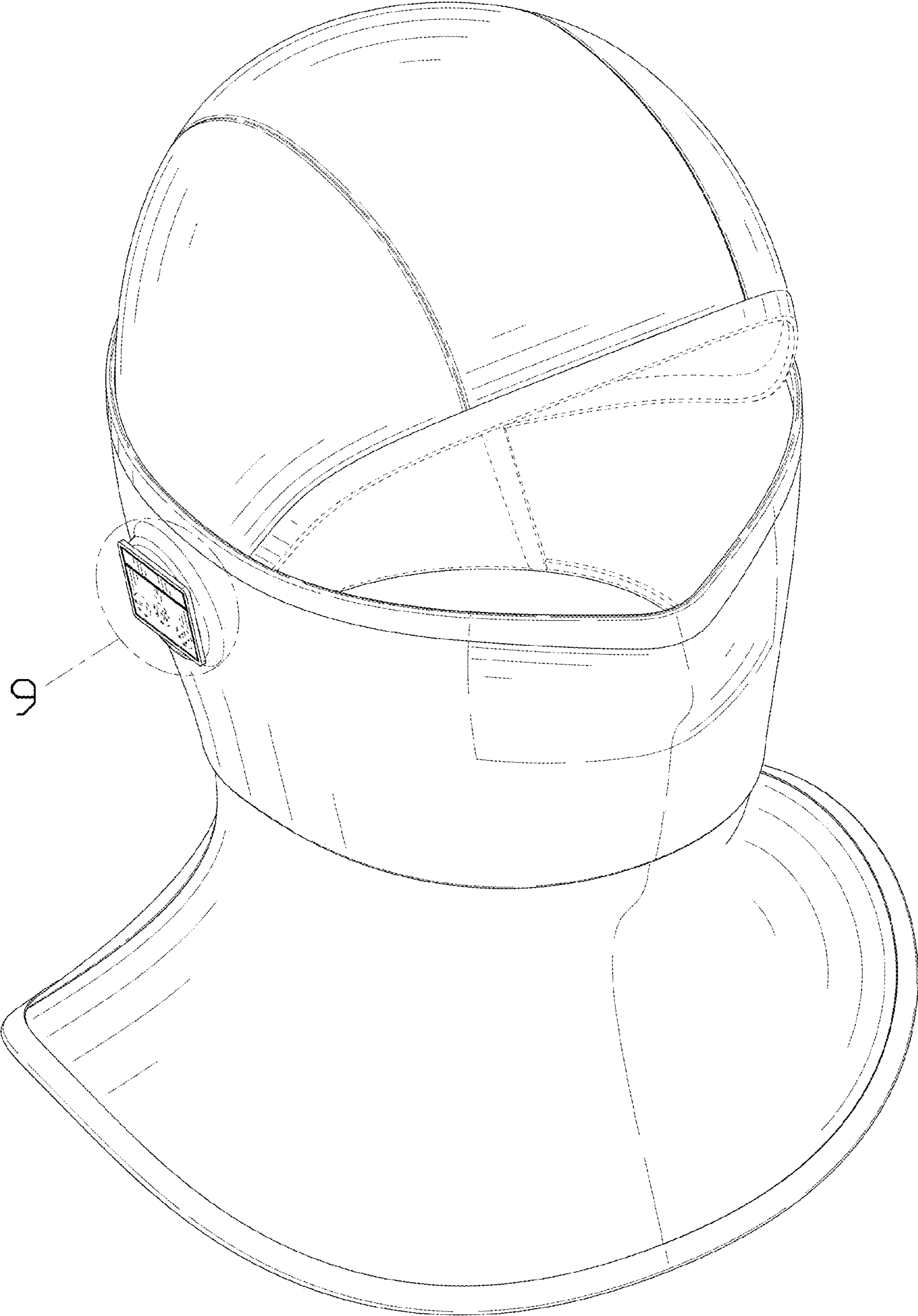


FIG. 1

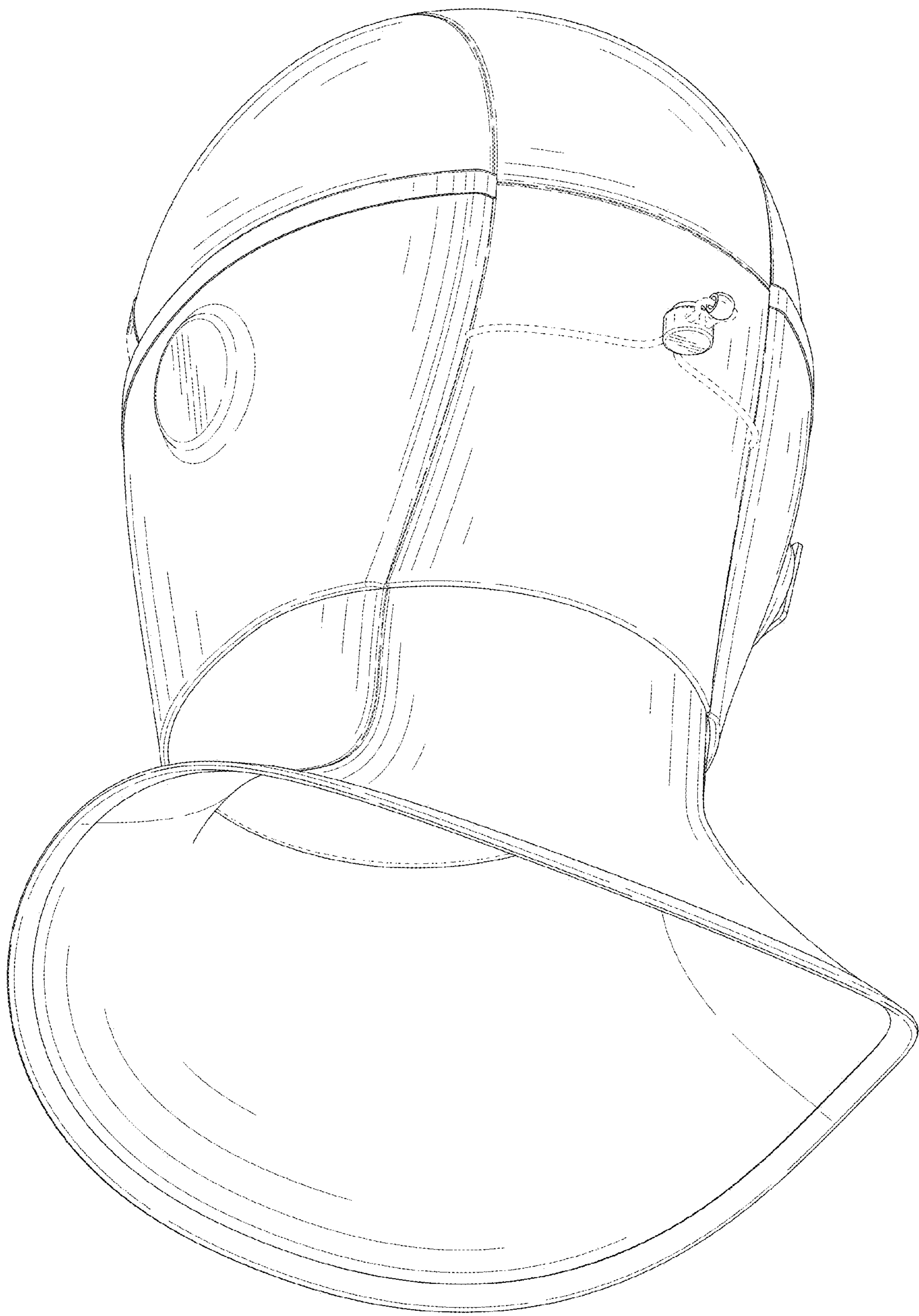


FIG. 2

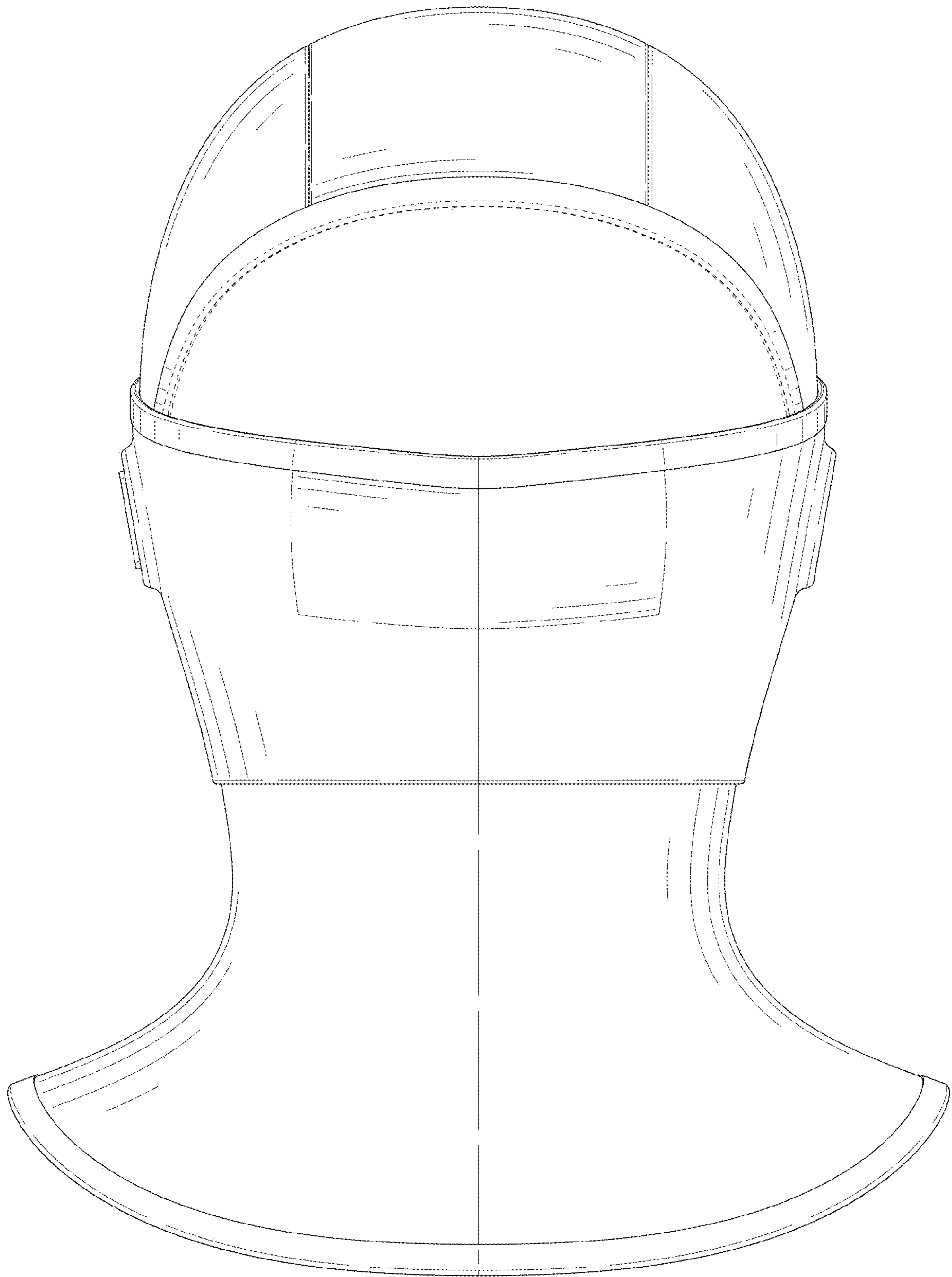


FIG. 3

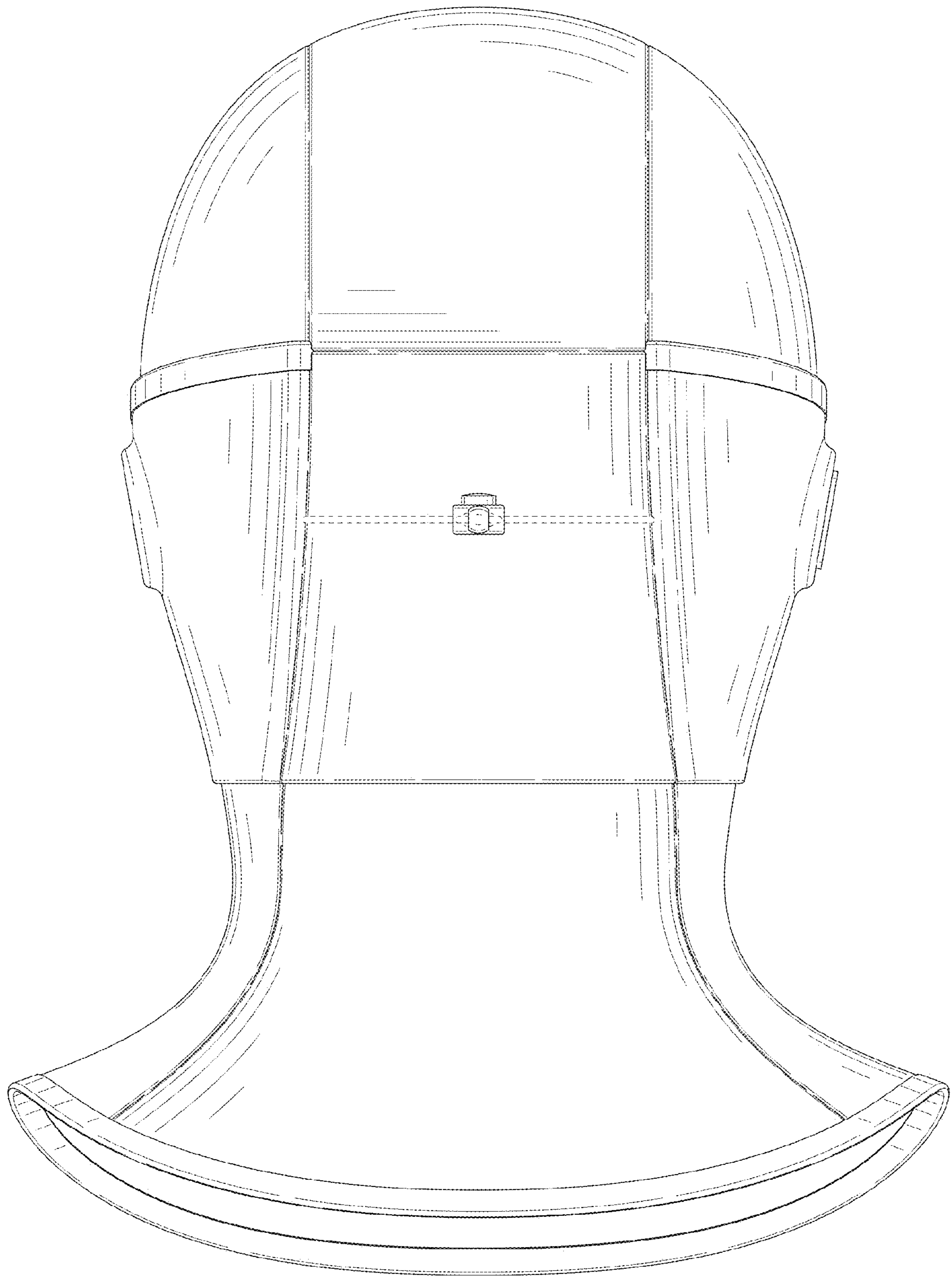


FIG. 4

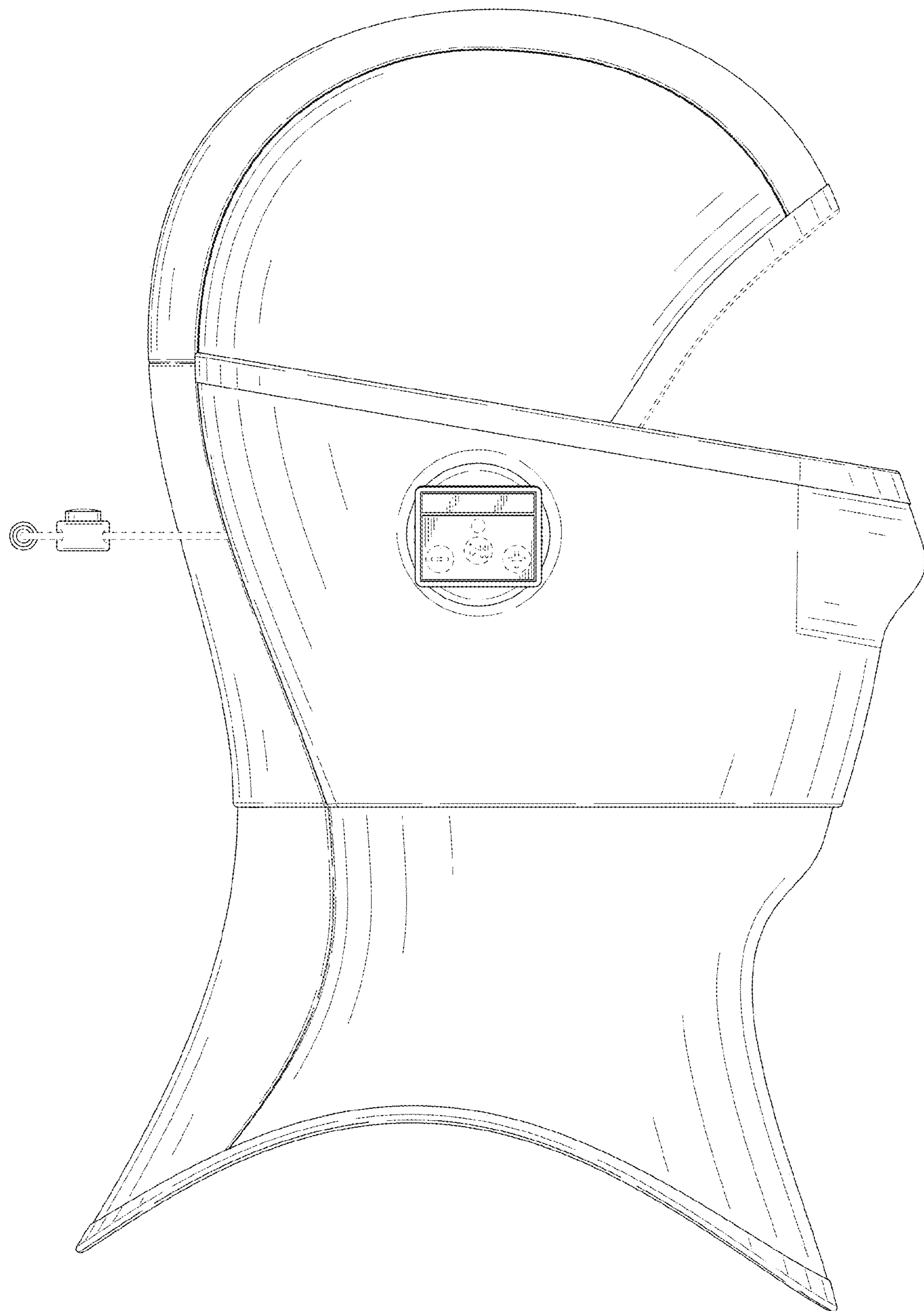


FIG. 5

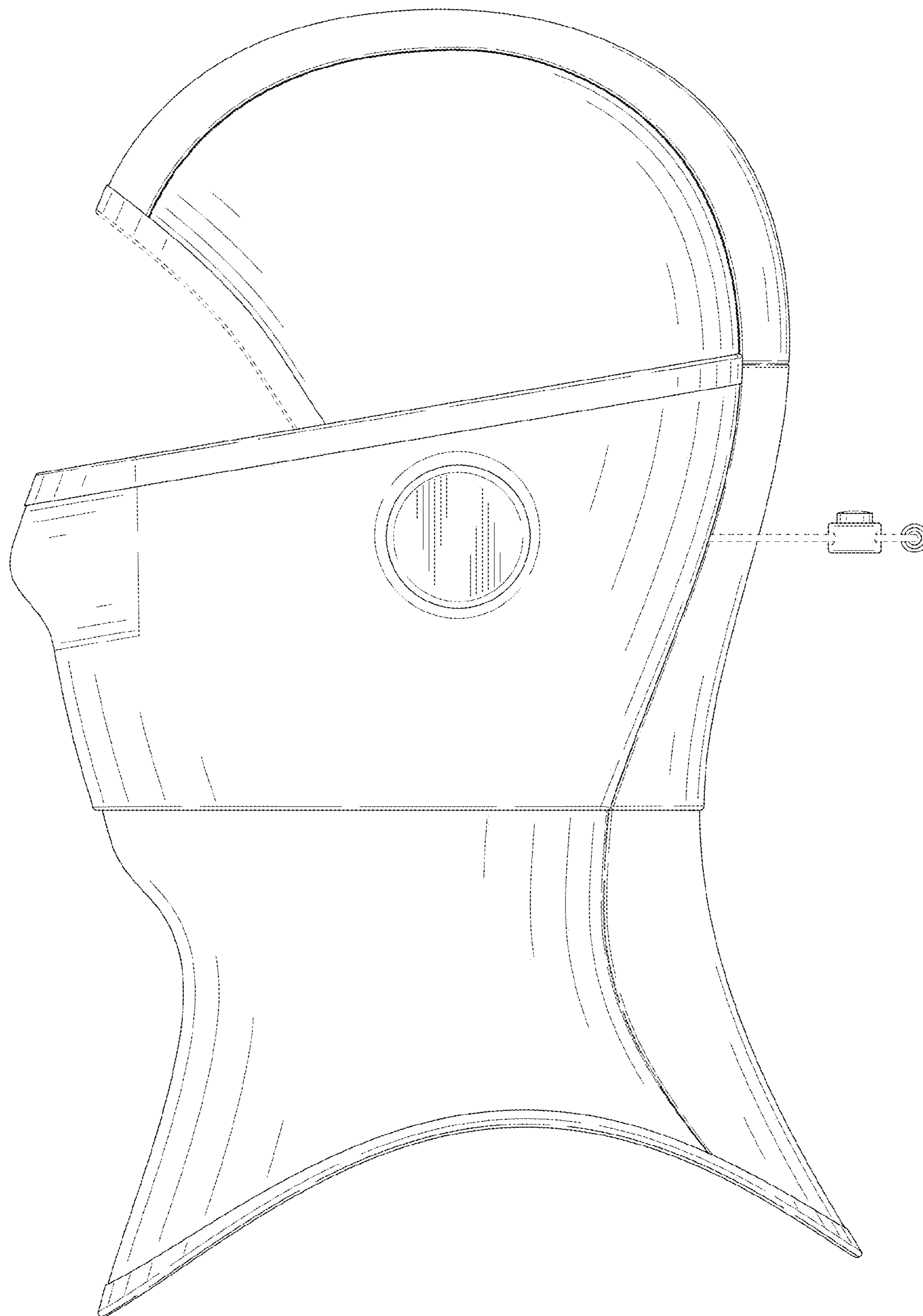


FIG. 6

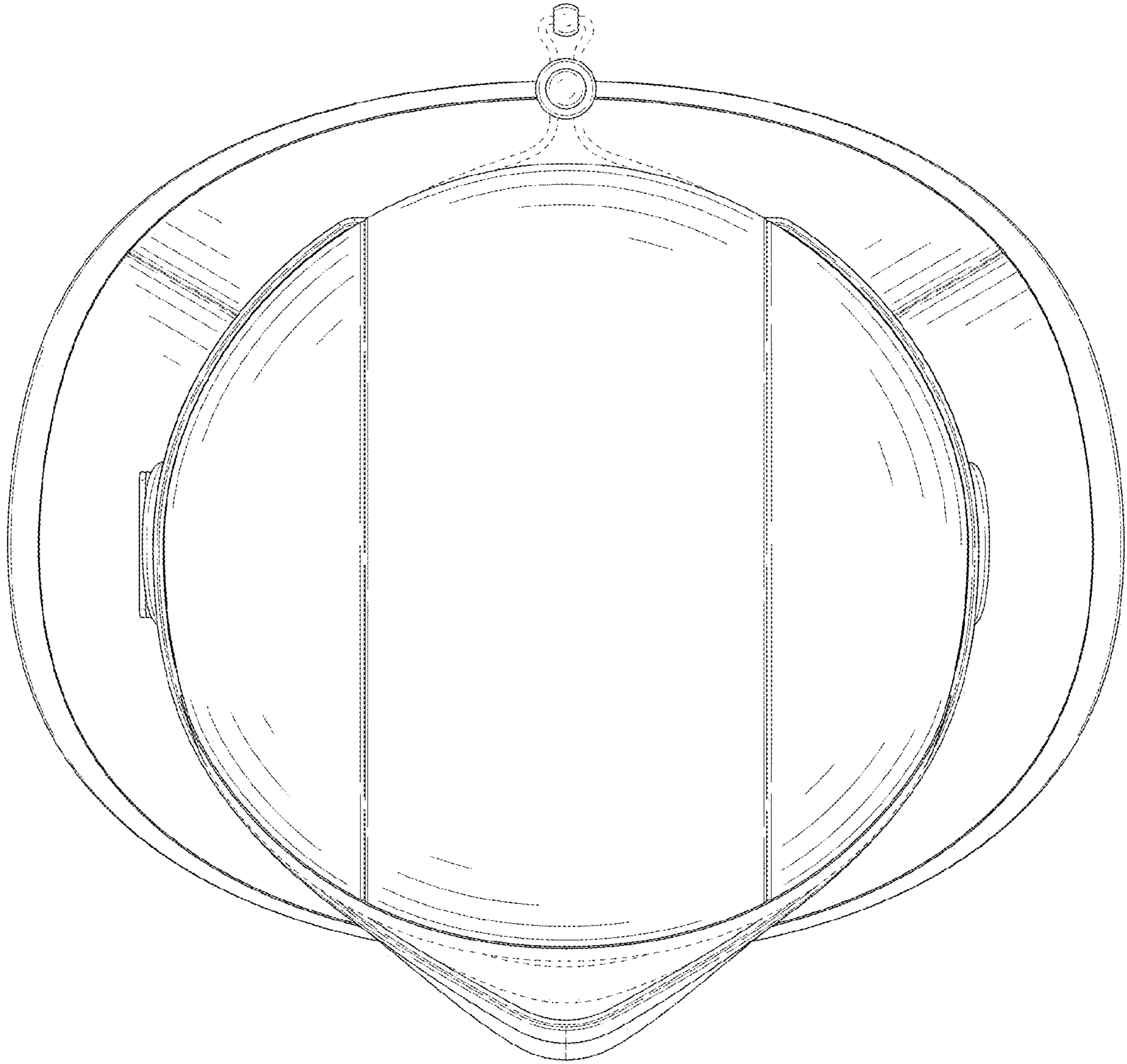


FIG. 7

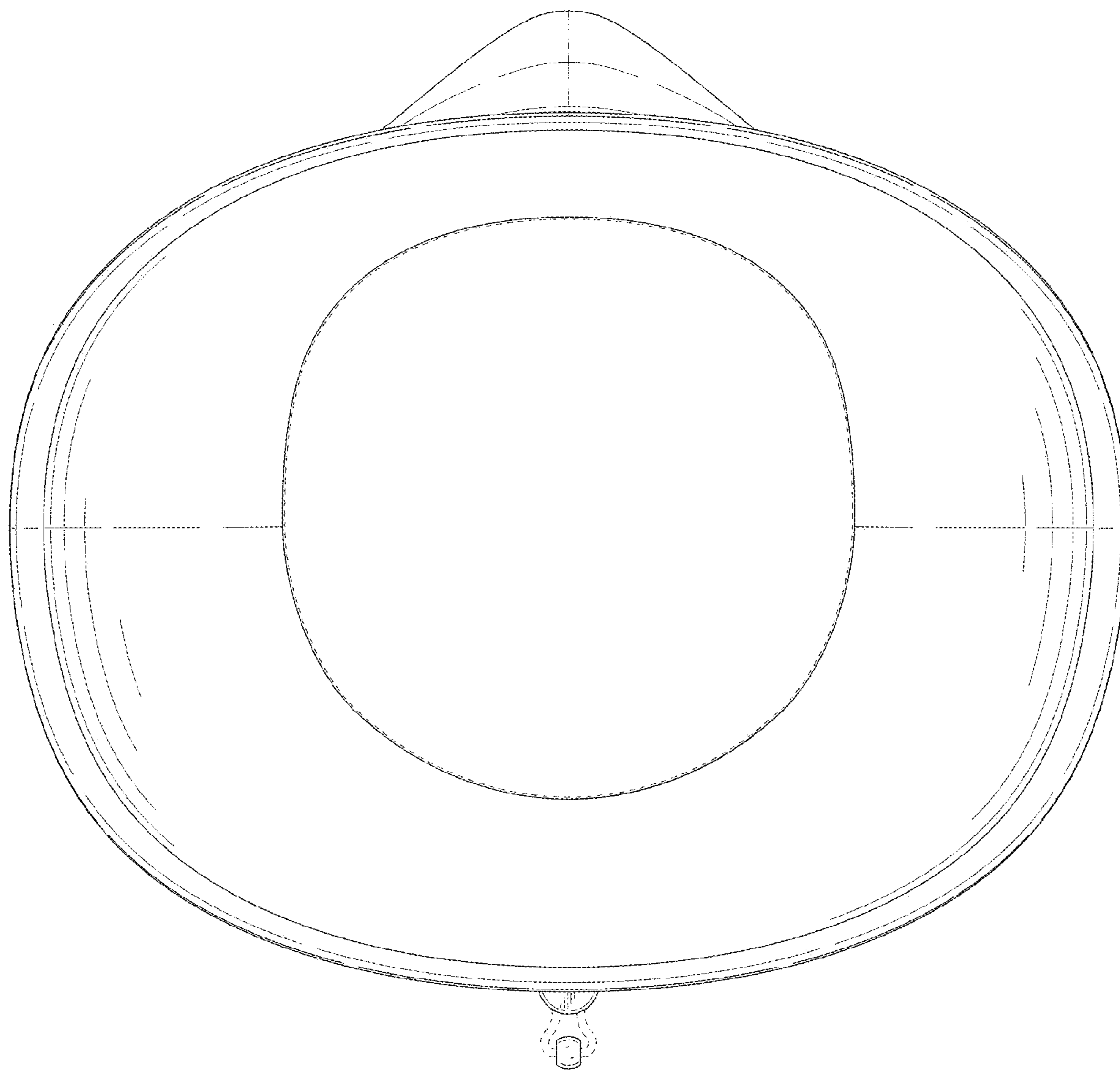


FIG. 8

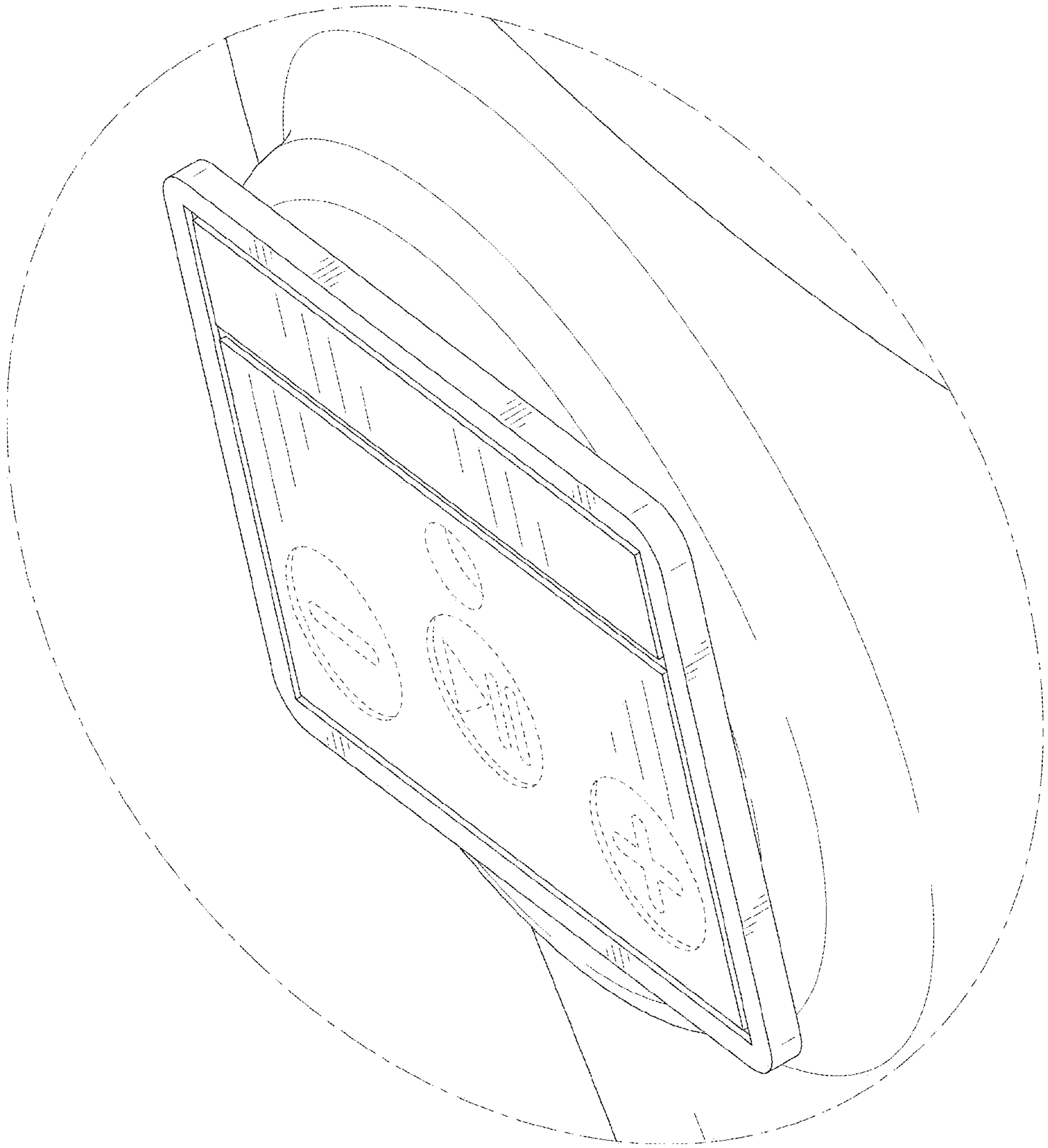


FIG. 9