



US00D985237S

(12) **United States Design Patent** (10) **Patent No.:** **US D985,237 S**
Scott (45) **Date of Patent:** **** May 9, 2023**

(54) **APRON**

(71) Applicant: **Sherryl Lee Lorraine Scott**, Etobicoke (CA)

(72) Inventor: **Sherryl Lee Lorraine Scott**, Etobicoke (CA)

(**) Term: **15 Years**

(21) Appl. No.: **29/802,140**

(22) Filed: **Aug. 3, 2021**

Related U.S. Application Data

(62) Division of application No. 29/706,436, filed on Sep. 20, 2019, now Pat. No. Des. 945,125.

(30) **Foreign Application Priority Data**

Aug. 26, 2019 (CA) CA 189504

(51) **LOC (14) Cl.** **02-02**

(52) **U.S. Cl.**
USPC **D2/861**

(58) **Field of Classification Search**
USPC D2/502, 740, 860, 861, 864
CPC A41D 13/04
See application file for complete search history.

(56) **References Cited**

U.S. PATENT DOCUMENTS

849,268 A * 4/1907 Rutenbeck A41D 13/04
2/51
2,364,258 A 12/1944 Wallace
2,607,040 A 8/1952 Zaleski
2,755,480 A 7/1956 Jones et al.

(Continued)

FOREIGN PATENT DOCUMENTS

EP 2519833 B1 8/2015
KR 101590557 B1 2/2016
WO 2017036507 A1 3/2017

OTHER PUBLICATIONS

Jeanerlor Work Apron Durable Tool Aprons , announced Jul. 24, 2019 [online], [site visited Dec. 5, 2022]. Available from internet, URL: <<https://www.amazon.com/Jeanerlor-Hair-Stylist-Apron-Cross-Back/dp/B07VX8W86P?th=1>> (Year: 2019).*

(Continued)

Primary Examiner — Kevin K Rudzinski

Assistant Examiner — Amber J Rabie

(74) *Attorney, Agent, or Firm* — Joseph F. Murphy;
Potomac Law Group, PLLC

(57) **CLAIM**

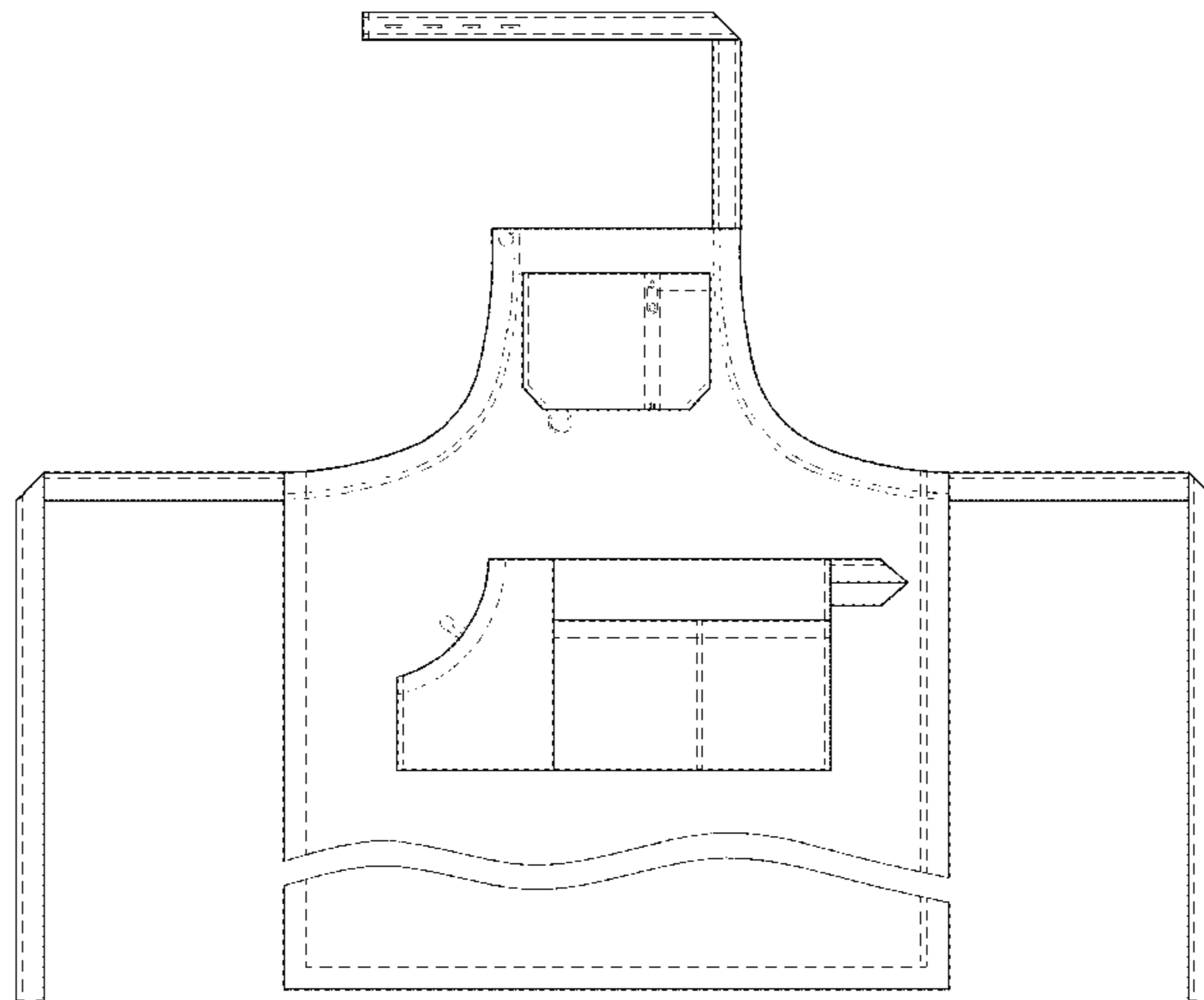
The ornamental design for an apron, as shown and described.

DESCRIPTION

FIG. 1 is a front plan view of the apron in accordance with my new design, with the straps of the apron being shown in an exemplary folded orientation, it being understood that each of the straps is linear when extended and laid flat; and, FIG. 2 is a front view of the apron shown in FIG. 1 but in the state where it is shown worn on a mannequin.

The stippled stitching pattern along the periphery of the apron form part of the design. The remaining broken dashed lines in the various figures are directed to unclaimed portions of the apron and form no part of the claimed design. The broken dotted lines in the various figures are directed to a mannequin on which the apron is shown in a state like that when worn by a person. The mannequin does not form any part of the claimed design. The apron is shown with a symbolic break in length. The appearance of any portion of the article between the break lines forms no part of the claimed design.

1 Claim, 2 Drawing Sheets



(56)

References Cited

U.S. PATENT DOCUMENTS

2,846,685 A * 8/1958 Ehrich A41D 13/0012
2/51
2,964,755 A * 12/1960 Priebe A41D 13/04
2/51
3,115,638 A * 12/1963 Kikas A41D 13/04
2/48
3,428,962 A * 2/1969 Slimovitz A41D 13/04
2/48
4,060,853 A 12/1977 Gabarro
D257,596 S * 12/1980 Rosenbloom, III D2/864
D258,020 S * 1/1981 Bryce D2/864
D259,673 S 6/1981 Ruszczynski
4,412,369 A * 11/1983 Carnaghi A41D 13/04
2/48

D305,827 S 2/1990 Flowers
5,054,127 A 10/1991 Zevchak
D364,726 S 12/1995 Kosc
D417,062 S * 11/1999 Williams D2/860
D456,593 S * 5/2002 Leonard D2/860
D461,945 S 8/2002 Byrd
6,561,814 B2 5/2003 Tilbury et al.
D527,869 S 9/2006 Knigge
D574,127 S * 8/2008 Baccus A41D 13/04
D2/864

D581,137 S 11/2008 Mathis
7,541,922 B2 6/2009 Matsumoto et al.
D598,182 S 8/2009 Vossoughi
D603,143 S 11/2009 Walsh
D608,530 S 1/2010 Williams
D620,234 S * 7/2010 Wu A41D 13/04
D2/864

D621,136 S 8/2010 Williams
D627,953 S 11/2010 Sammon

D691,783 S 10/2013 Vifquain
9,043,004 B2 5/2015 Casillas et al.
9,086,215 B2 7/2015 Timmerberg
D757,399 S * 5/2016 Kalfas D2/864
9,402,429 B2 8/2016 Nordstrom
D870,422 S 12/2019 Bernstein
D871,724 S 1/2020 Stamps
D910,981 S * 2/2021 Hathorn D2/861
2001/0024949 A1 9/2001 Yanagida et al.
2012/0060261 A1 3/2012 Raviv
2012/0186000 A1 7/2012 Raviv
2014/0270698 A1 9/2014 Luna et al.
2016/0058079 A1 3/2016 Sexton
2016/0100641 A1 4/2016 Payne
2016/0128632 A1 5/2016 Wiebe et al.
2016/0306940 A1 10/2016 Farhoud
2017/0070078 A1 3/2017 Hwang et al.
2020/0329791 A1 * 10/2020 McAteer A41D 13/04
2/48

OTHER PUBLICATIONS

Chen et al., "Smart Clothing: Connecting Human with Clouds and Big Data for Sustainable Health Monitoring", *Mobile Netw. Appl.*, vol. 21, pp. 825-845 (2016).
Chen et al., "Wearable 2.0: Enabling Human-Cloud Integration in Next Generation Healthcare Systems", *IEEE Communications Magazine*, pp. 54-61 (2017).
Shi et al., "Cloud-Assisted Mood Fatigue Detection System", *Mobile Netw. Appl.*, vol. 21, pp. 744-752 (2016).
Villar et al., "Validation of the Hexoskin wearable vest during lying, sitting, standing, and walking activities", *Appl. Physiol. Nutr. Metab.*, vol. 40, pp. 1-6 (2015).
English-language abstract of KR 101590557B1 (2015).

* cited by examiner

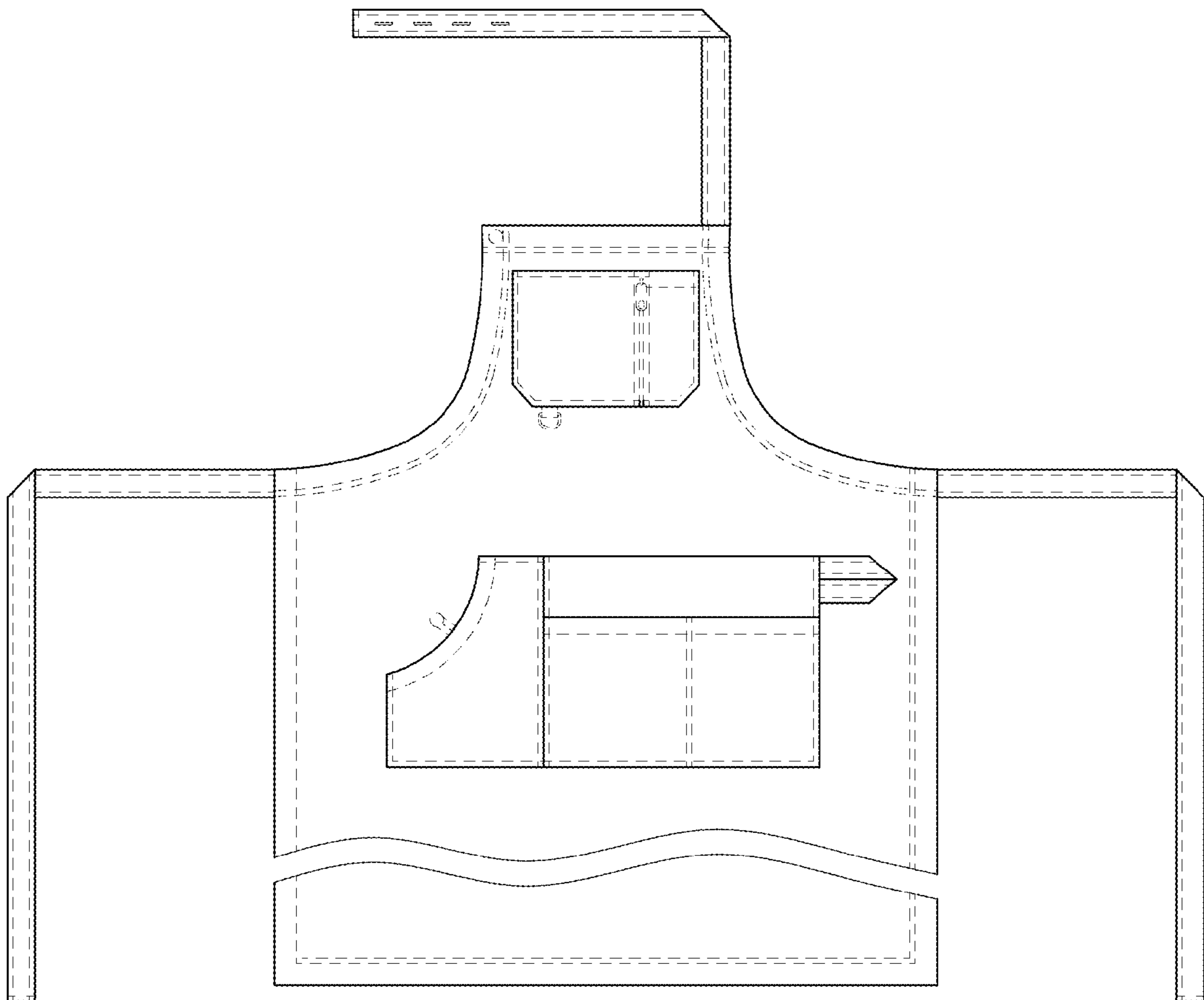


FIG. 1

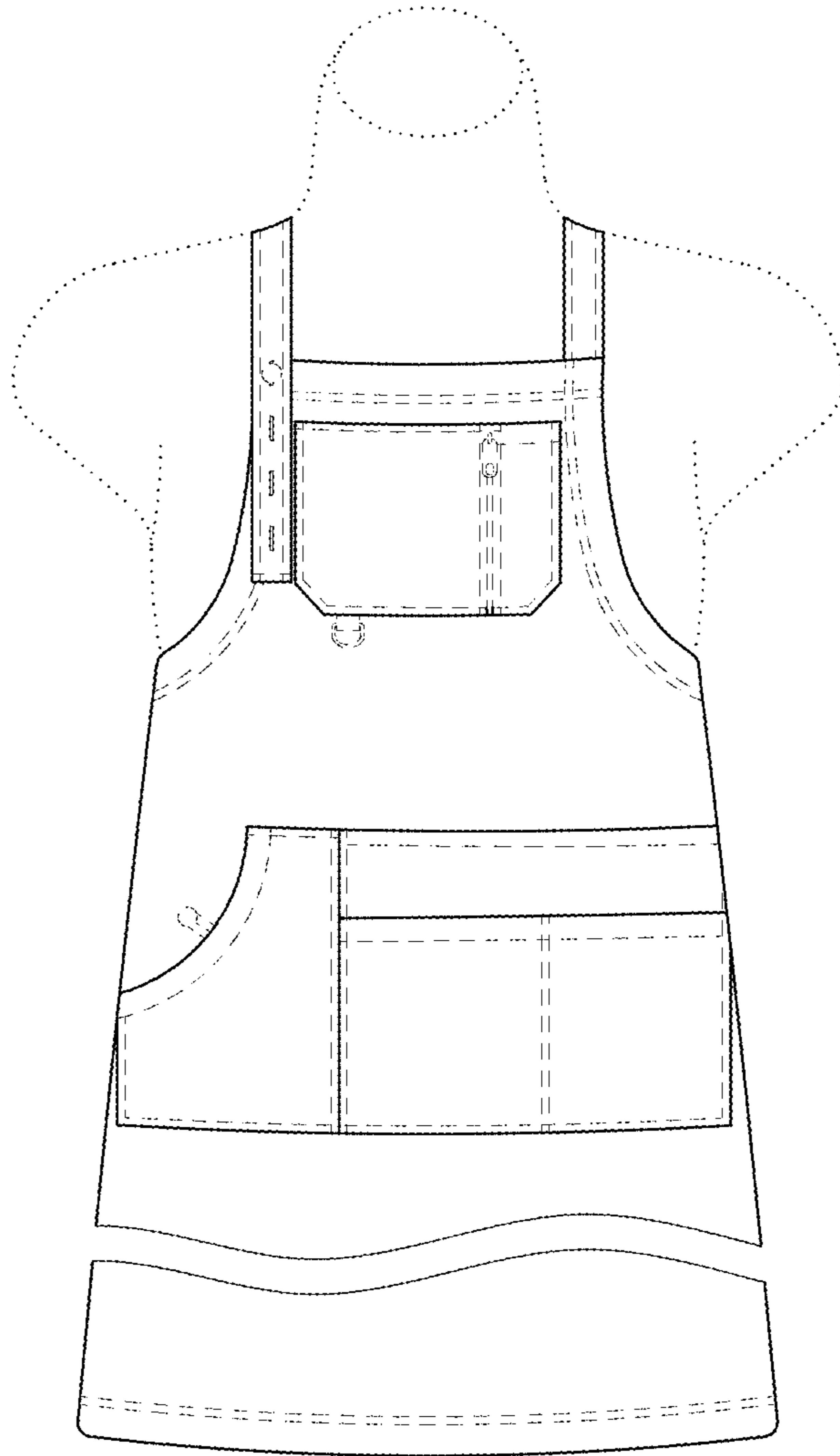


FIG. 2