



US00D985236S

(12) **United States Design Patent** (10) **Patent No.:** **US D985,236 S**
Liu (45) **Date of Patent:** **** May 9, 2023**

(54) **SET OF POCKETS FOR A GARMENT**

(71) Applicant: **Zumeng Liu**, Jinjiang (CN)

(72) Inventor: **Zumeng Liu**, Jinjiang (CN)

(**) Term: **15 Years**

(21) Appl. No.: **29/848,716**

(22) Filed: **Aug. 4, 2022**

(51) **LOC (14) Cl.** **02-02**

(52) **U.S. Cl.**
USPC **D2/857**

(58) **Field of Classification Search**
USPC D2/857, 791, 728, 742, 786, 829;
D29/101.4

CPC A41D 1/06; A41D 27/20; A41D 27/201
See application file for complete search history.

(56) **References Cited**

U.S. PATENT DOCUMENTS

D273,910 S *	5/1984	Teeny	D2/829
D294,651 S *	3/1988	Ferre	D2/857
D536,157 S *	2/2007	Kimmel	D2/857
D580,630 S *	11/2008	Adams	D2/829
D640,041 S *	6/2011	Flora	D2/742
D655,482 S *	3/2012	Morales	D2/857
D664,737 S *	8/2012	Slank	D2/742
D780,404 S *	3/2017	Grosbøl	D2/742
D784,656 S	4/2017	Carvalho	
D838,438 S *	1/2019	Luttrell	D2/742
D919,235 S *	5/2021	Li	D2/742
2020/0359722 A1 *	11/2020	Cleghorn	A41D 1/06

OTHER PUBLICATIONS

Iinlon Men's Outdoor Hiking Pants, posted Nov. 1, 2018 [online],
(retrieved Oct. 11, 2019). Retrieved from the internet, <https://www.amazon.com/Iinlon-Fulture-Direct-Outdoor-Pockets/dp/B087WYXM58> (Year: 2018).*

Lululemon Ready Set Cargo Pant, posted Sep. 2019 [online],
(retrieved Oct. 11, 2019). Retrieved from the internet, <https://www.lulufanatics.com/item/49713/lululemon-ready-set-cargo-pant-carbon-dust> (Year: 2019).*

* cited by examiner

Primary Examiner — Kevin K Rudzinski
Assistant Examiner — J. Thorn, Sr.

(57) **CLAIM**

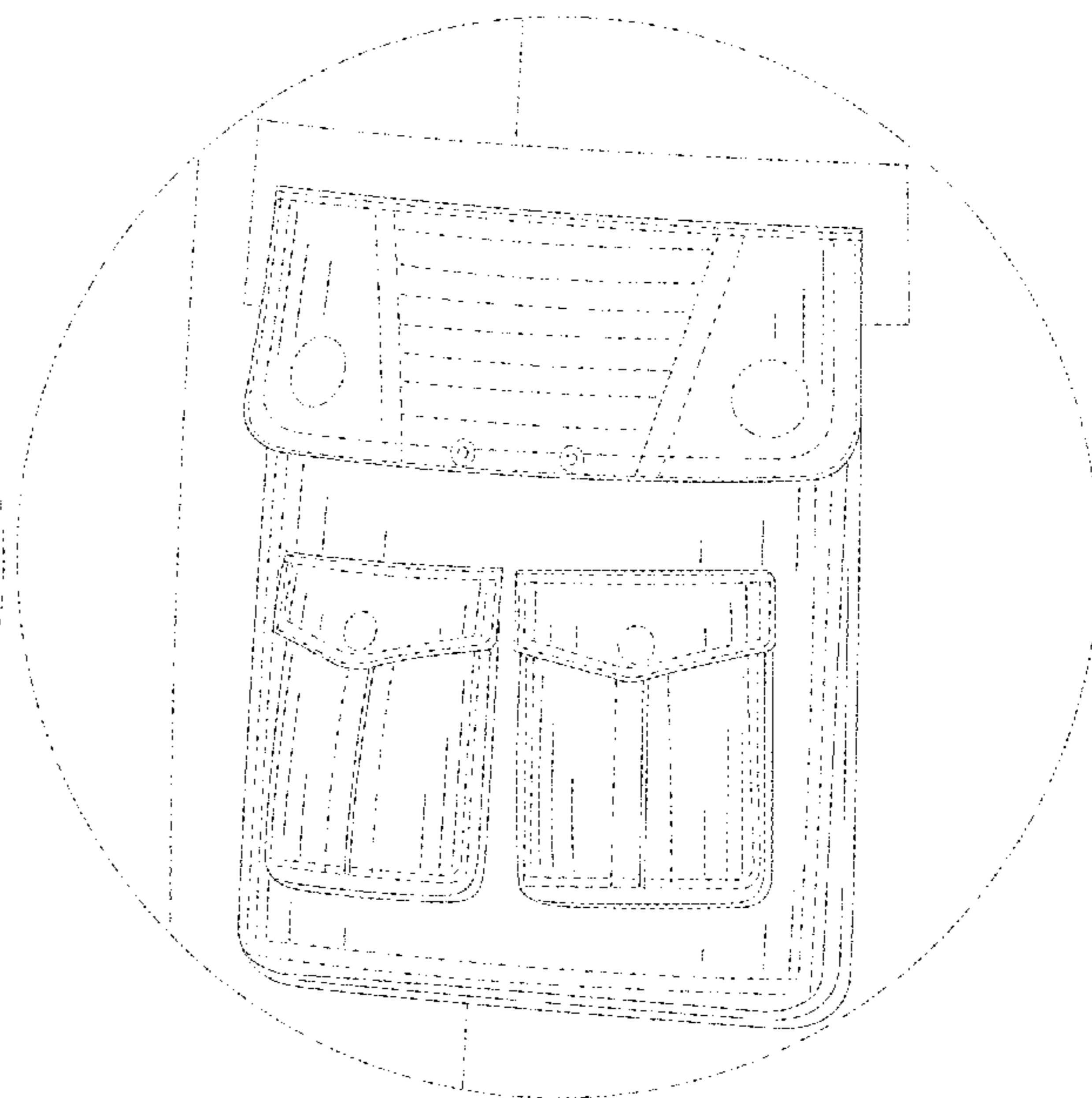
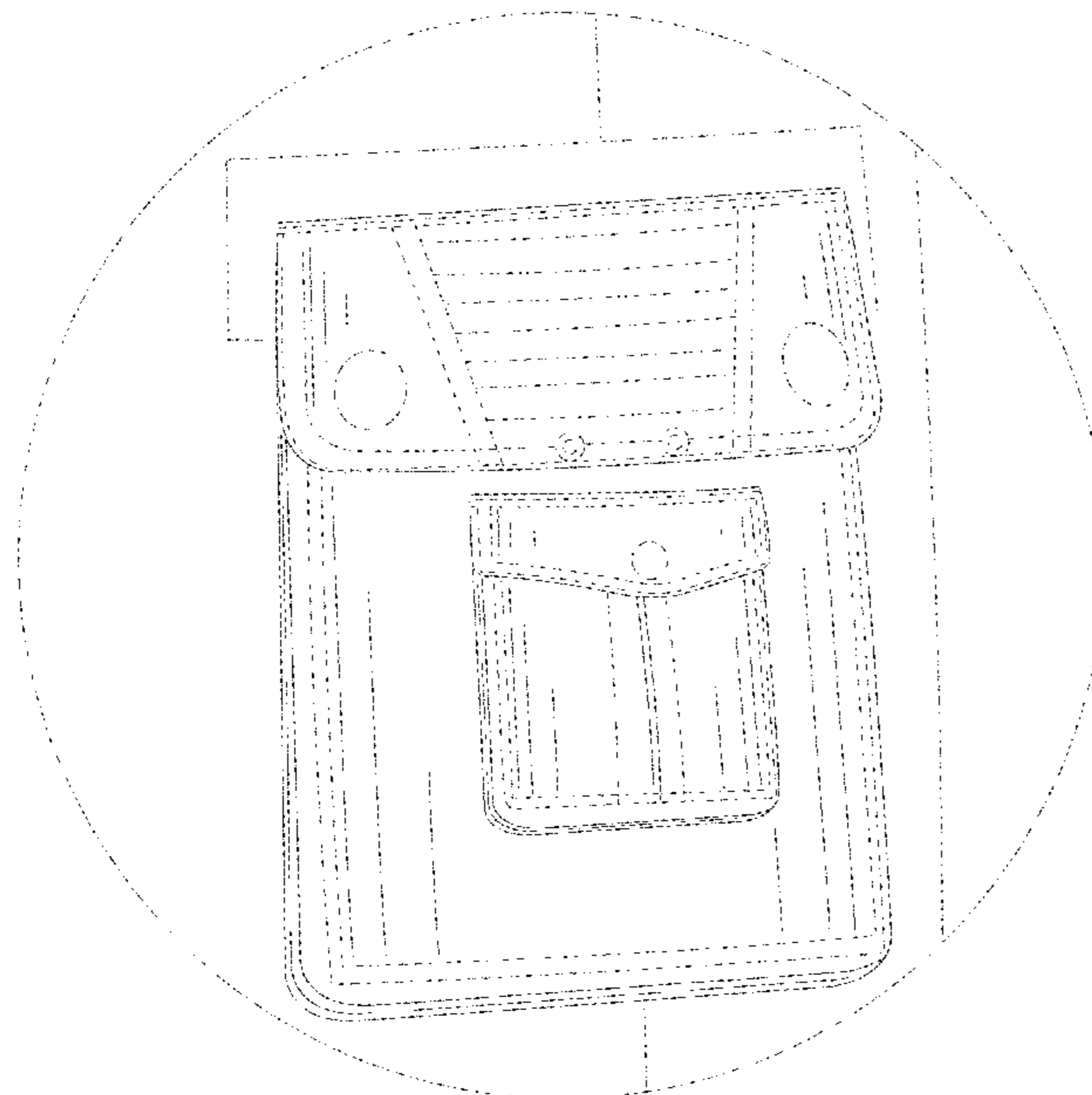
The ornamental design for a set of pockets for a garment, as shown and described.

DESCRIPTION

FIG. 1 is a left side and top perspective view of a set of pockets for a garment, showing my new design; FIG. 2 is a right side and top perspective view thereof; FIG. 3 is a left side elevation view thereof; FIG. 4 is a right side elevation view thereof; FIG. 5 is an enlarged view of a portion labeled, 'FIG. 5' in FIG. 1; and, FIG. 6 is an enlarged view of a portion labeled, 'FIG. 6' in FIG. 2.

The dashed lines in the figures illustrate portions of the set of pockets for a garment that form no part of the claimed design. The dash dot dash lines in FIGS. 1, 2, 5 and 6 are for the purpose of depicting the boundary lines of the enlarged views and form no part of the claimed design. The dot-dot dash lines depict portions of the set of pockets for a garment that form no part of the claimed design.

1 Claim, 6 Drawing Sheets



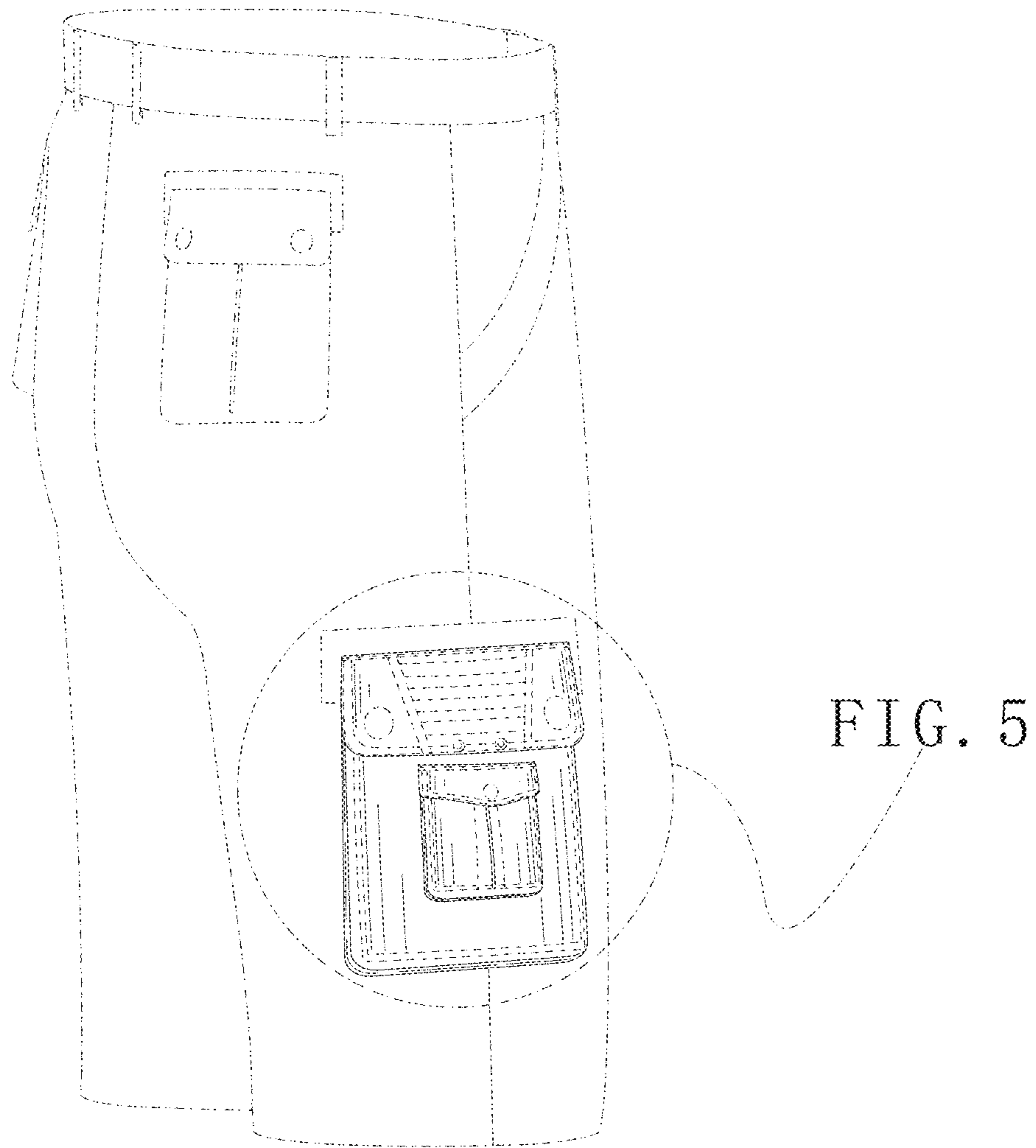


FIG. 1

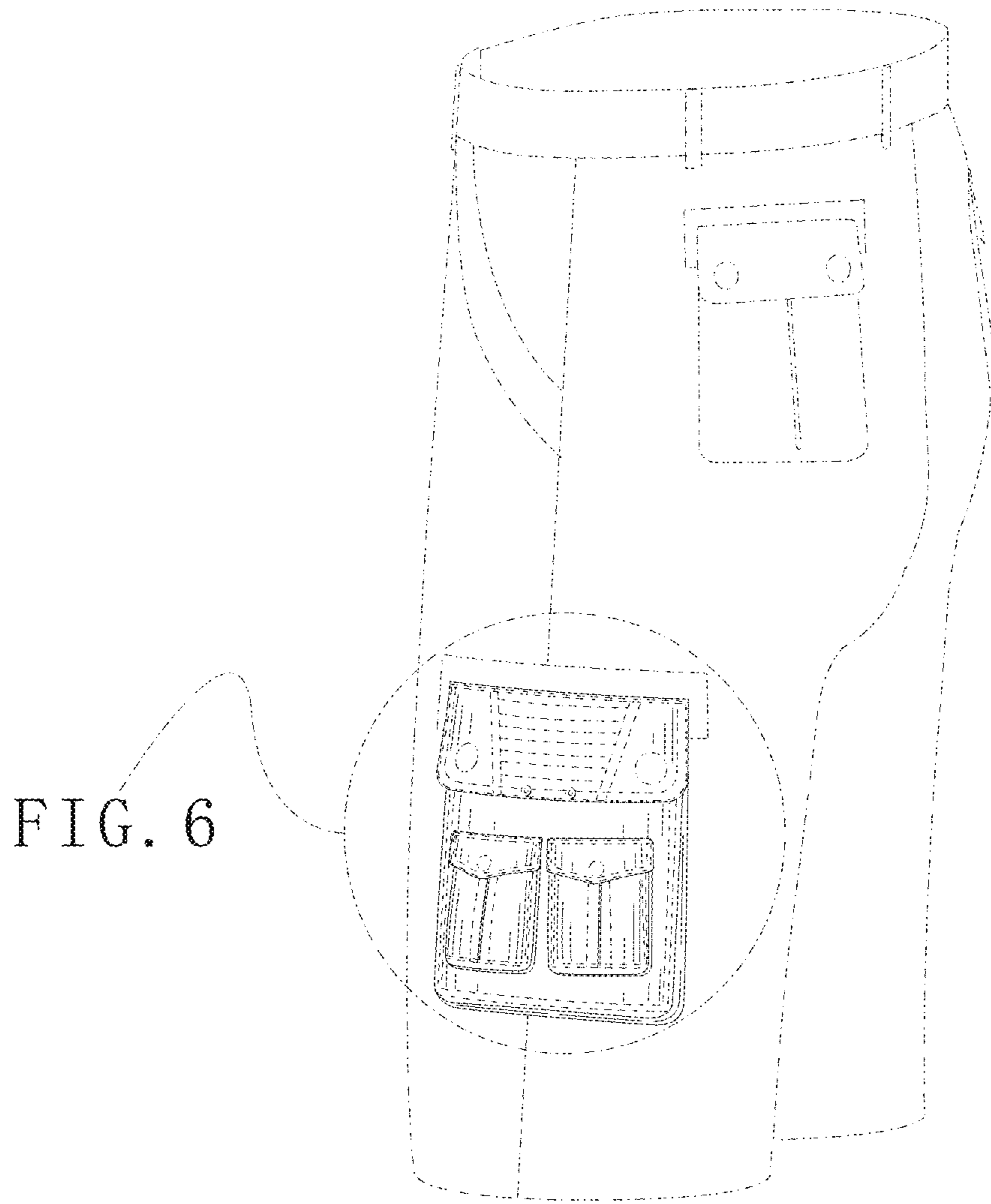


FIG. 2

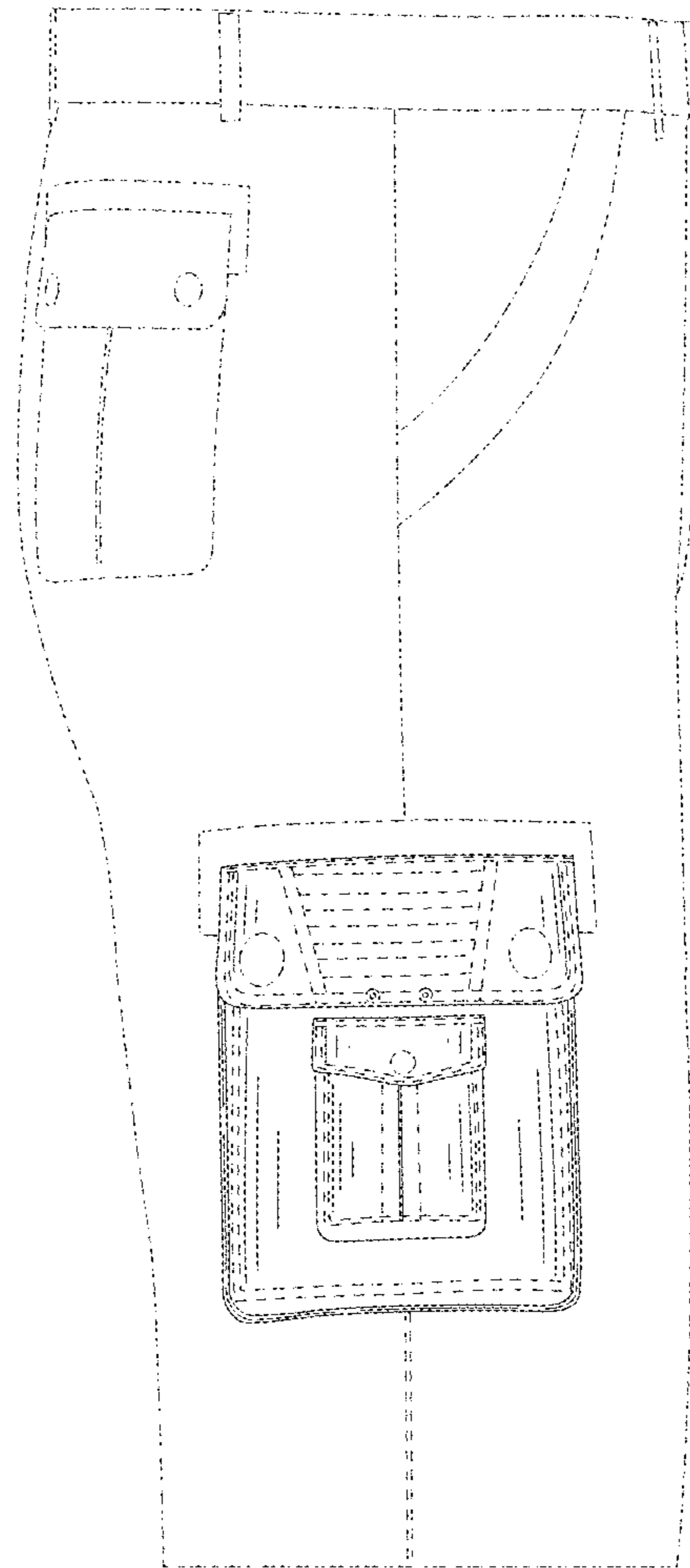


FIG. 3

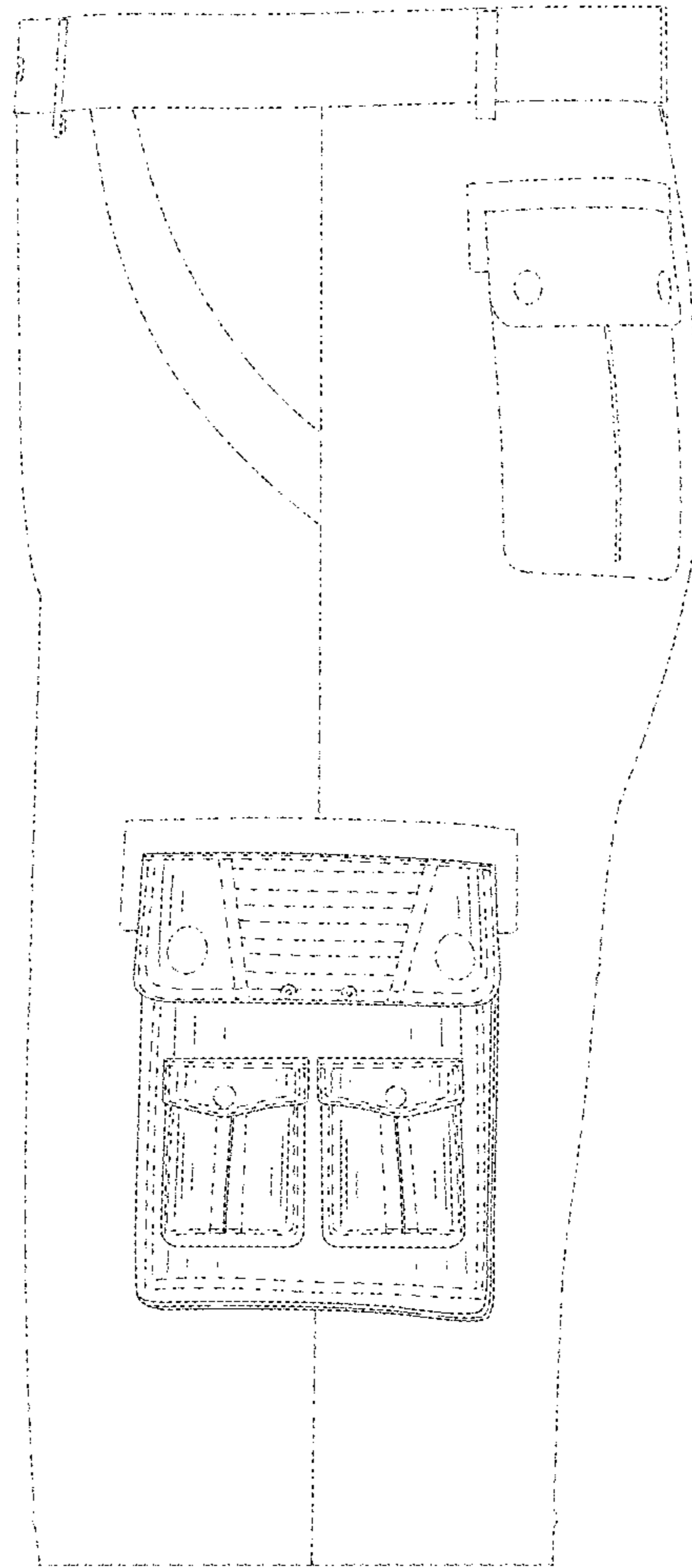


FIG. 4

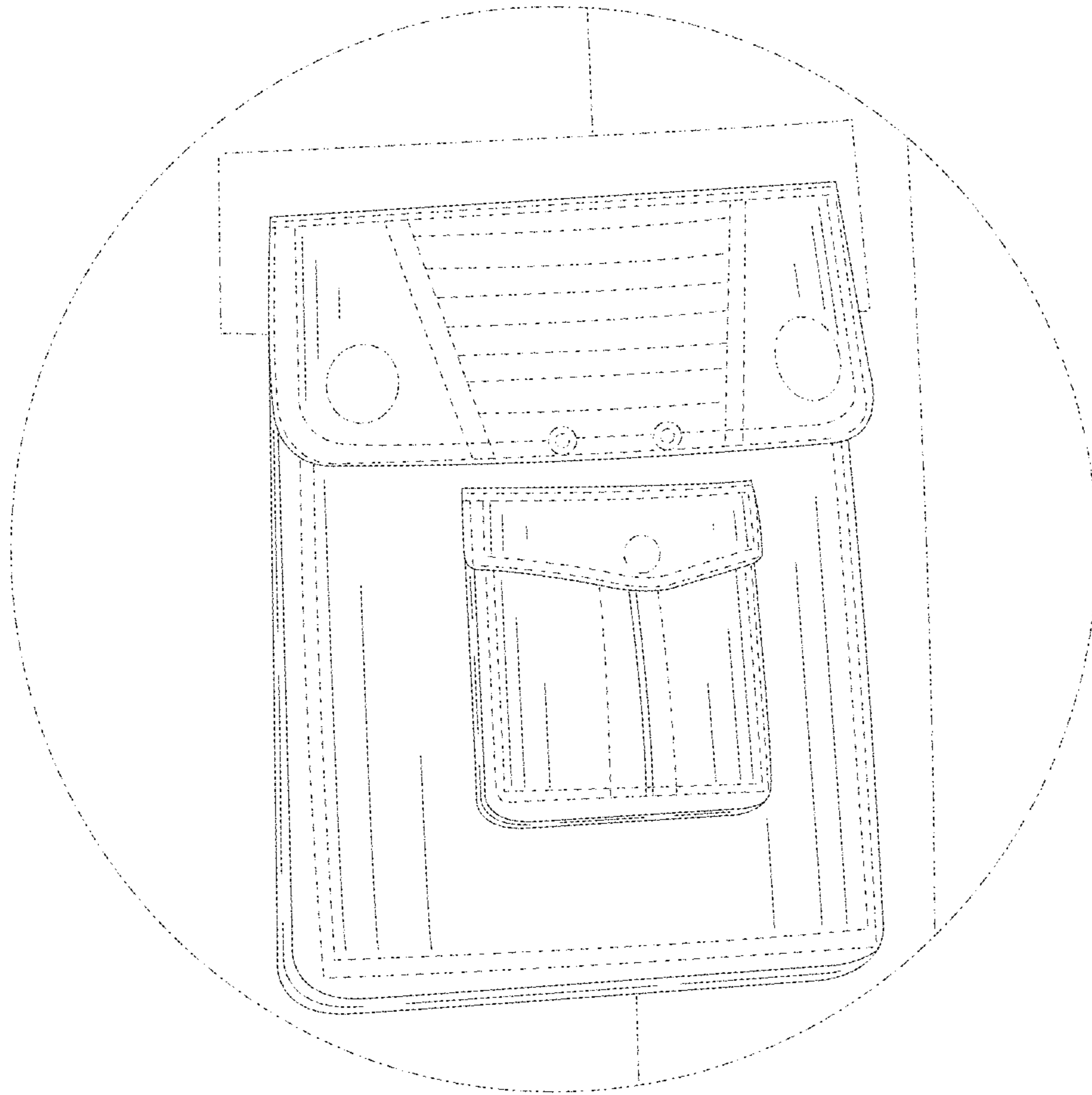


FIG. 5

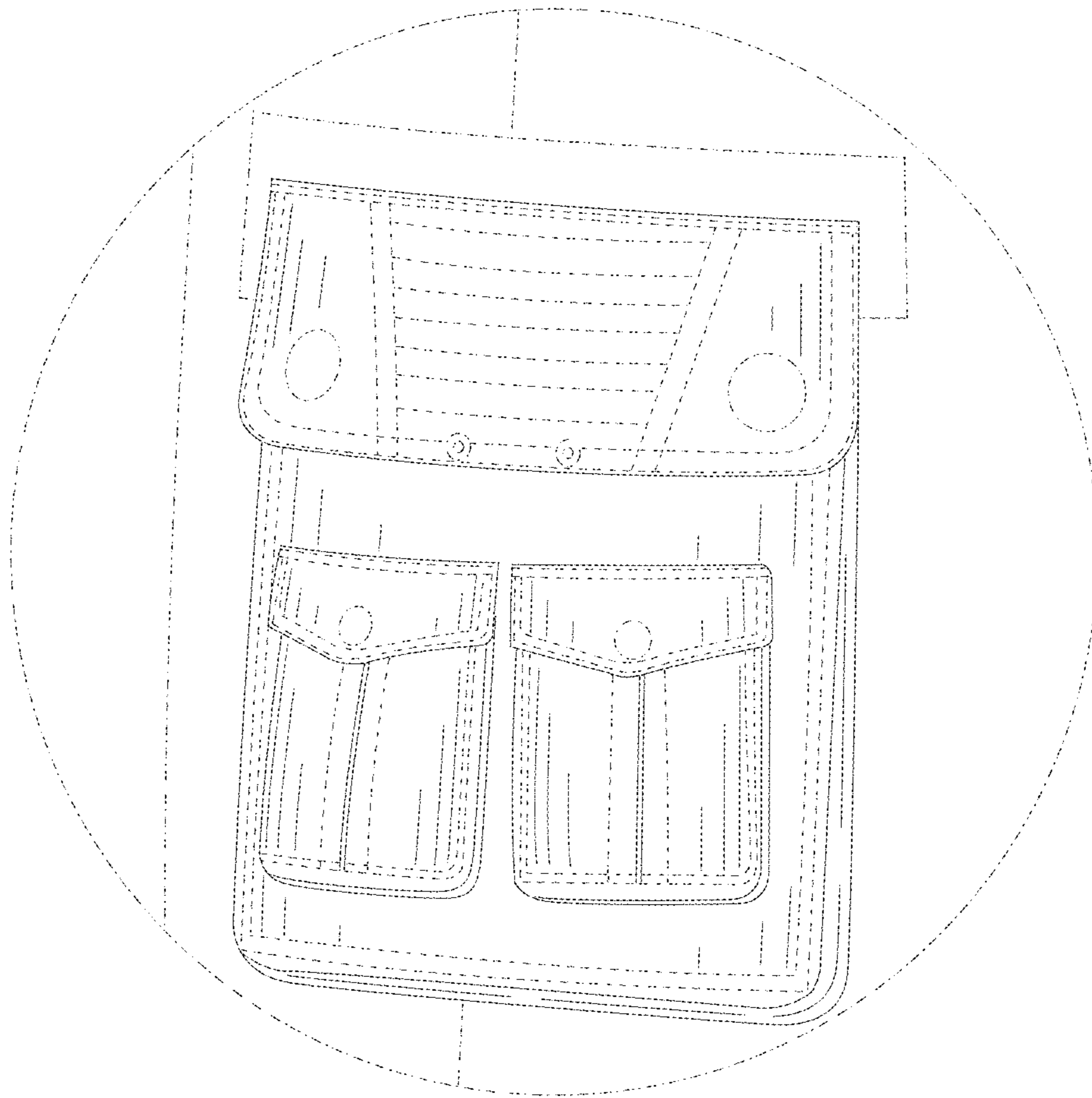


FIG. 6