



US00D985233S

(12) **United States Design Patent** (10) **Patent No.:** **US D985,233 S**  
**Xu** (45) **Date of Patent:** **\*\* May 9, 2023**

(54) **BEACH PANTS**

(71) Applicant: **Liuying Xu, Ji'an (CN)**

(72) Inventor: **Liuying Xu, Ji'an (CN)**

(\*\*) Term: **15 Years**

(21) Appl. No.: **29/819,667**

(22) Filed: **Dec. 16, 2021**

(51) **LOC (14) Cl.** ..... **02-02**

(52) **U.S. Cl.**  
USPC ..... **D2/742; D2/728**

(58) **Field of Classification Search**  
USPC ..... **D2/742, 731, 728**  
CPC ..... **A41F 9/007; A41D 27/22; A41D 1/06;**  
**A41D 1/08**

See application file for complete search history.

(56) **References Cited**

**U.S. PATENT DOCUMENTS**

D608,528 S *	1/2010	Tonetti-Spellman	.....	D2/742
D620,230 S *	7/2010	Rollins	.....	D2/742
D625,489 S *	10/2010	Rollins	.....	D2/742
D664,327 S *	7/2012	Lauro	.....	D2/728
D771,909 S *	11/2016	Robinson	.....	D2/742
D801,000 S *	10/2017	Barnabe	.....	D2/846
D885,010 S *	5/2020	Macklin	.....	D2/742
D887,109 S	6/2020	Lemon		
D932,138 S	10/2021	Harris et al.		
D939,808 S *	1/2022	Sullivan	.....	D2/742
D963,292 S *	9/2022	Sun	.....	D2/742
2016/0324224 A1 *	11/2016	Van Wierts	.....	A41D 1/06

**OTHER PUBLICATIONS**

Boheme Paisley Beach Pant, reviewed May 9, 2022 [online], (retrieved Sep. 23, 2022). Retrieved from the internet, <https://sunshine79.com/products/boheme-paisley-pallazo-pant?refSrc=7512148836517&nosto=productpage-nosto-1&variant=41362072371365> (Year: 2022).\*

Women's Breaking Waves Swim Cover-Up Palazzo Pants, reviewed 2022 [online], (retrieved Sep. 23, 2022). Retrieved from the internet, [https://www.kohls.com/product/prd-5240827/womens-breaking-waves-swim-cover-up-palazzo-pants.jsp?skuid=46572121&CID=shopping15&utm\\_ca%E2%80%A6](https://www.kohls.com/product/prd-5240827/womens-breaking-waves-swim-cover-up-palazzo-pants.jsp?skuid=46572121&CID=shopping15&utm_ca%E2%80%A6) (Year: 2022).\*

\* cited by examiner

*Primary Examiner* — Kevin K Rudzinski

*Assistant Examiner* — J. Thorn, Sr.

(74) *Attorney, Agent, or Firm* — ScienBiziP, P.C.

(57) **CLAIM**

The ornamental design for a pair of beach pants, as shown and described.

**DESCRIPTION**

FIG. 1 is a front, right, and top perspective view of a pair of beach pants, showing my design.

FIG. 2 is a rear, left, and bottom perspective view thereof.

FIG. 3 is a front elevation view thereof.

FIG. 4 is a rear elevation view thereof.

FIG. 5 is a left side elevation view thereof.

FIG. 6 is a right side elevation view thereof.

FIG. 7 is a top plan view thereof.

FIG. 8 is a bottom plan view thereof.

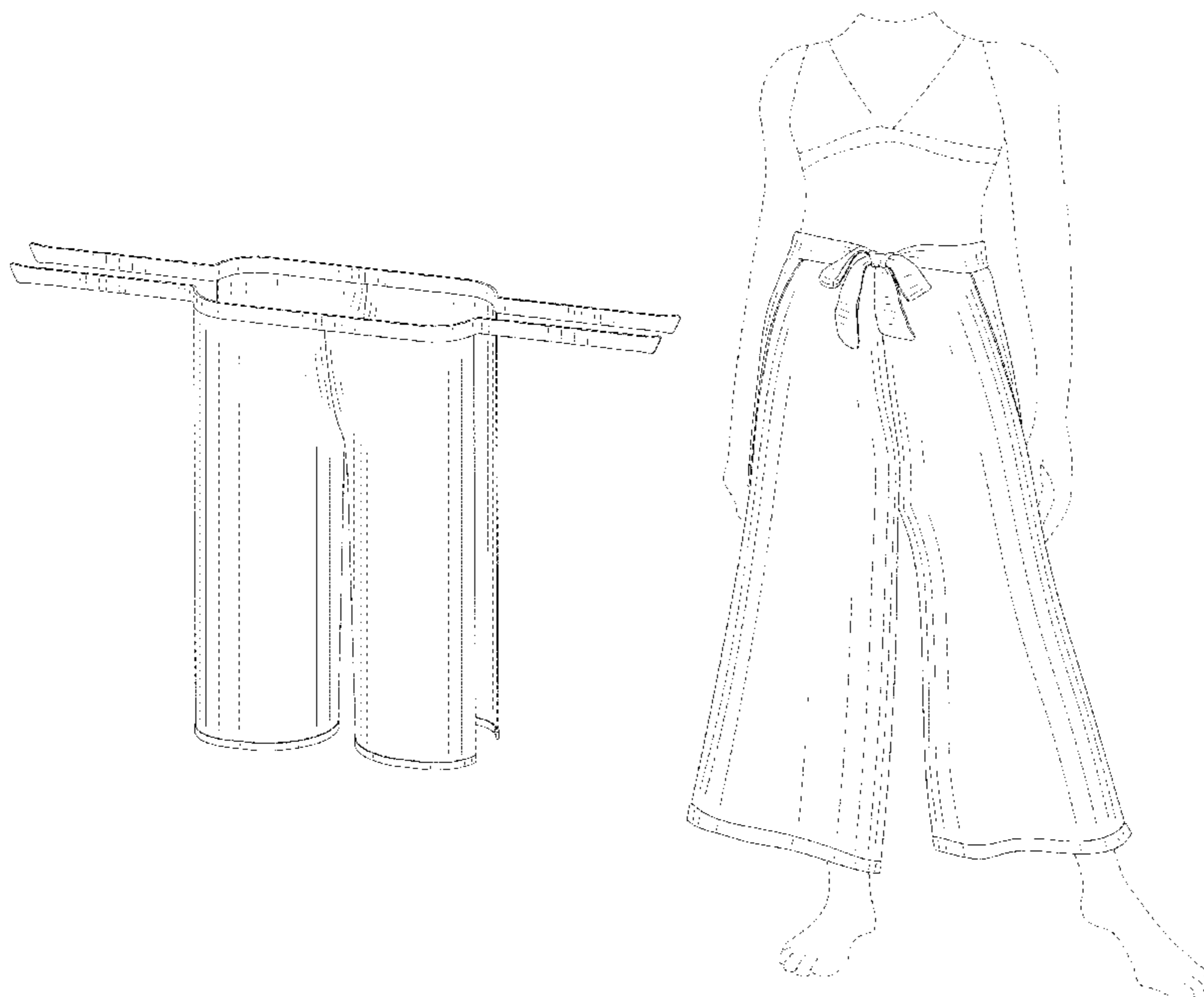
FIG. 9 is a perspective view of a first state; and,

FIG. 10 is a perspective view of a second state.

The broken lines shown in the drawings are included for the purpose of illustrating portions of the pair of beach pants that form no part of the claimed design.

The broken lines of the humanoid figure in FIGS. 9 and 10 depict environment that form no part of the claimed design.

**1 Claim, 10 Drawing Sheets**



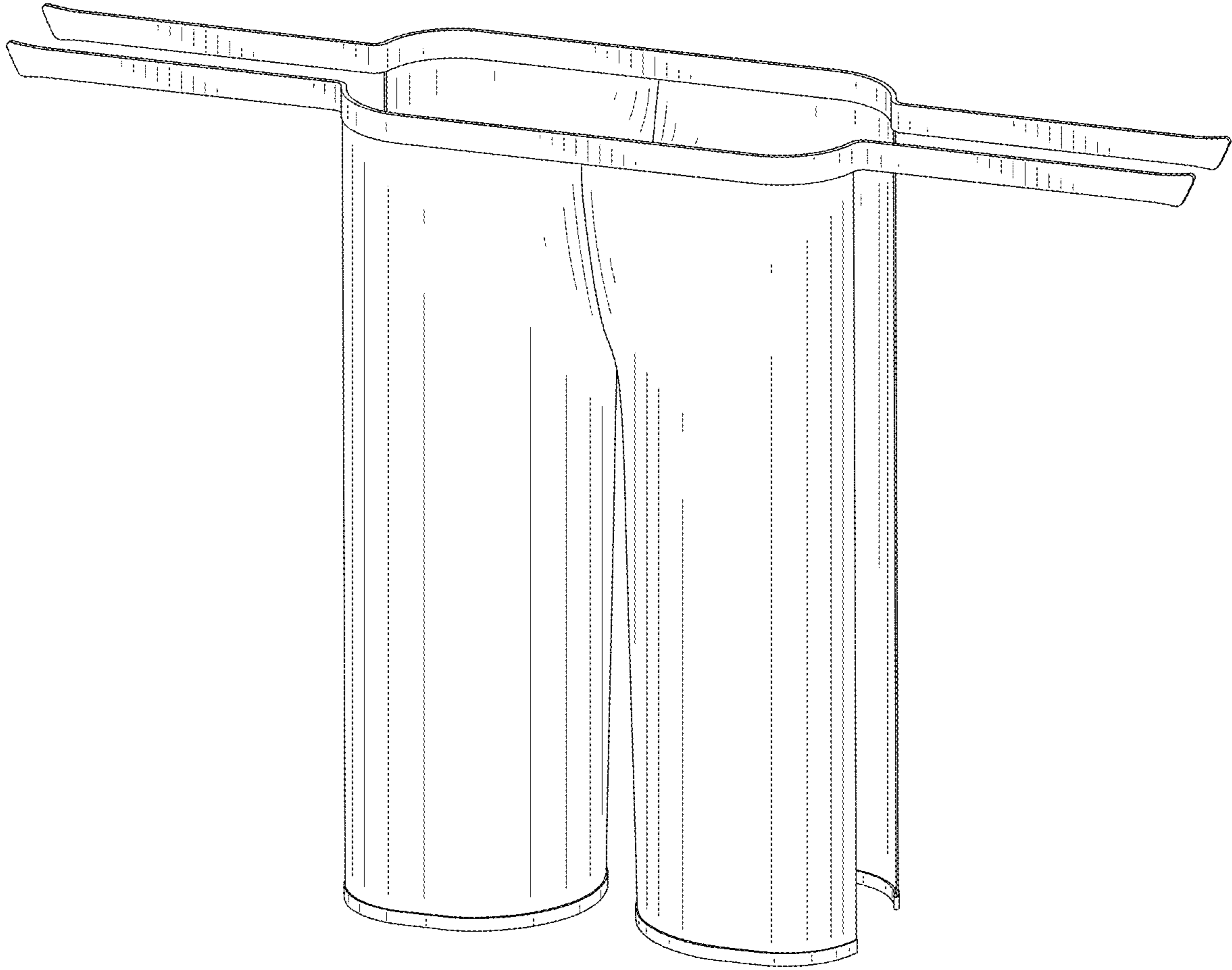


FIG. 1

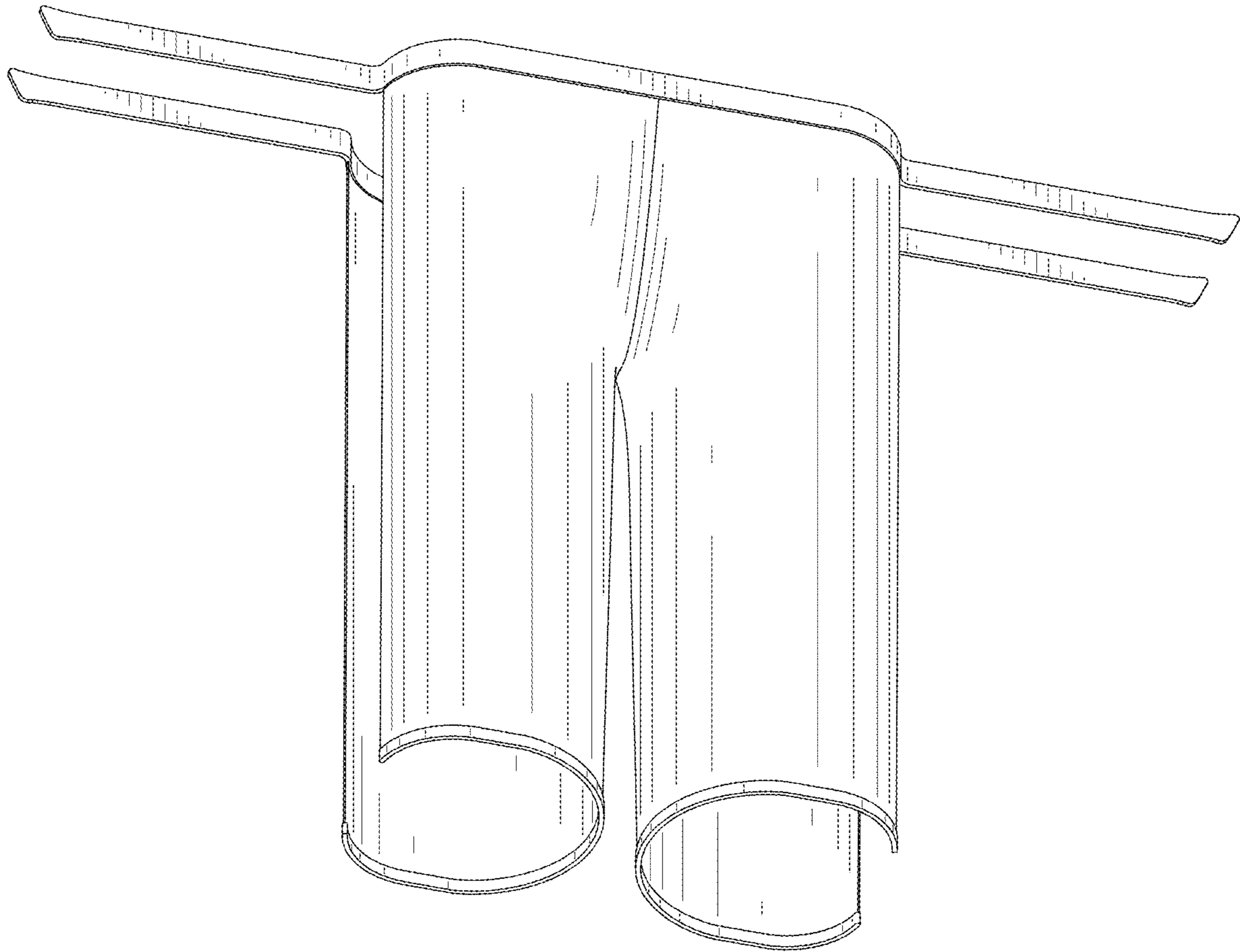


FIG. 2

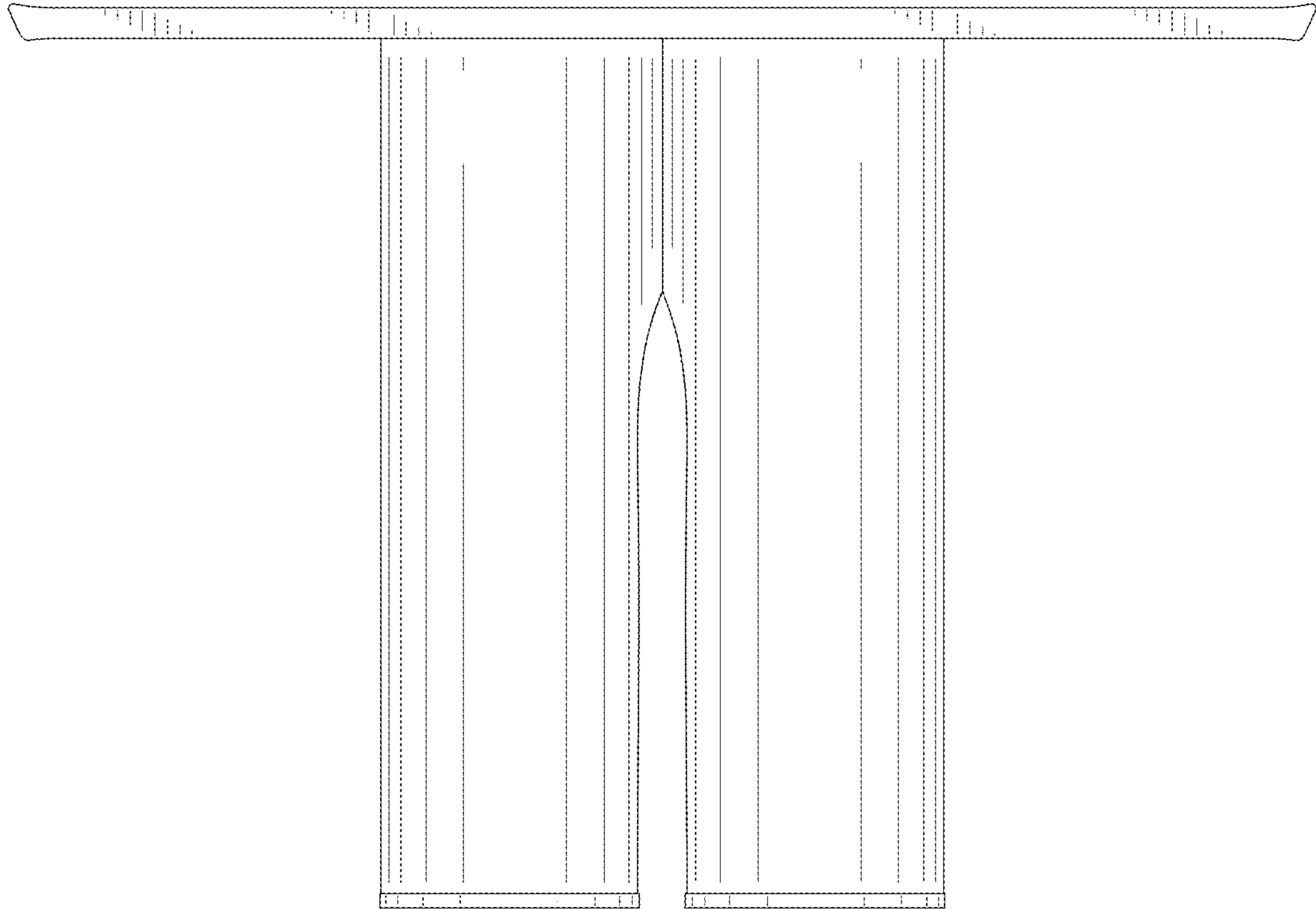


FIG. 3

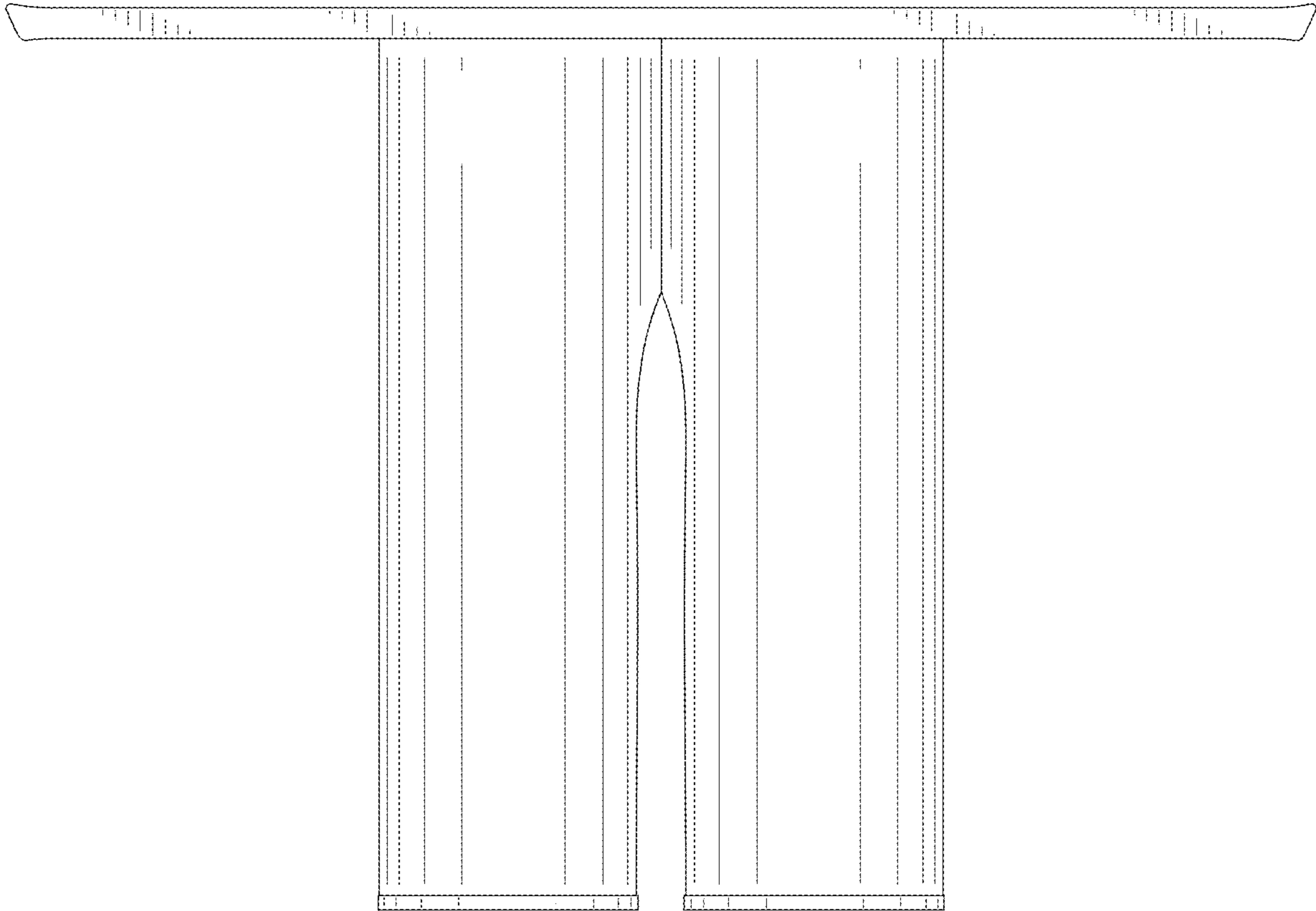


FIG. 4

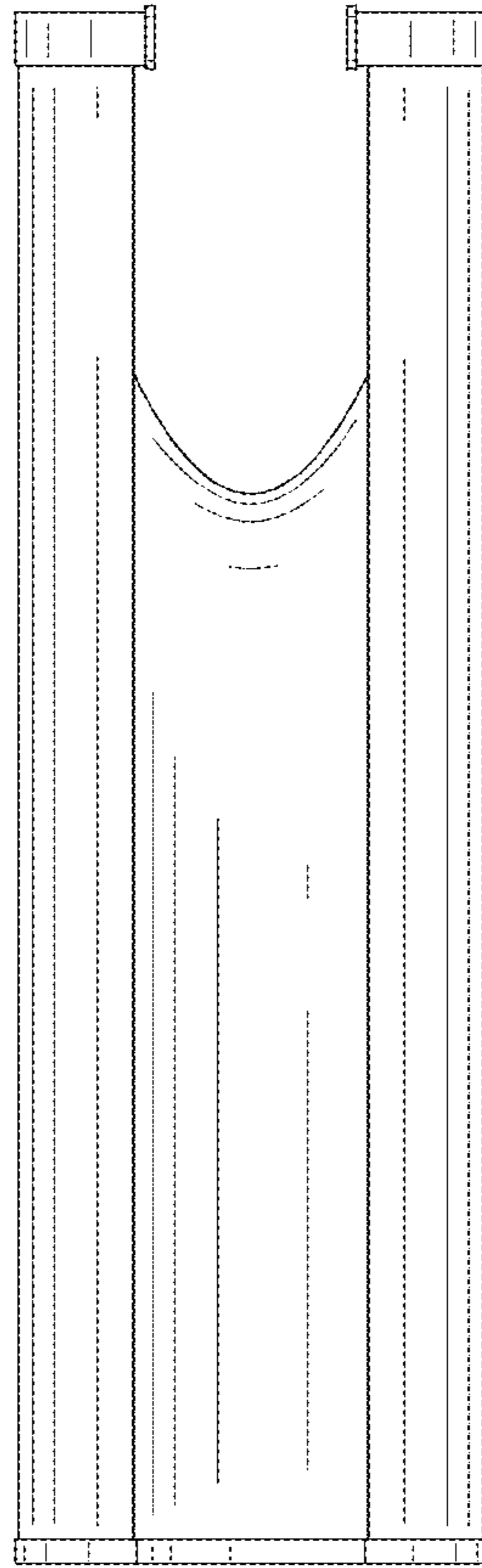


FIG. 5

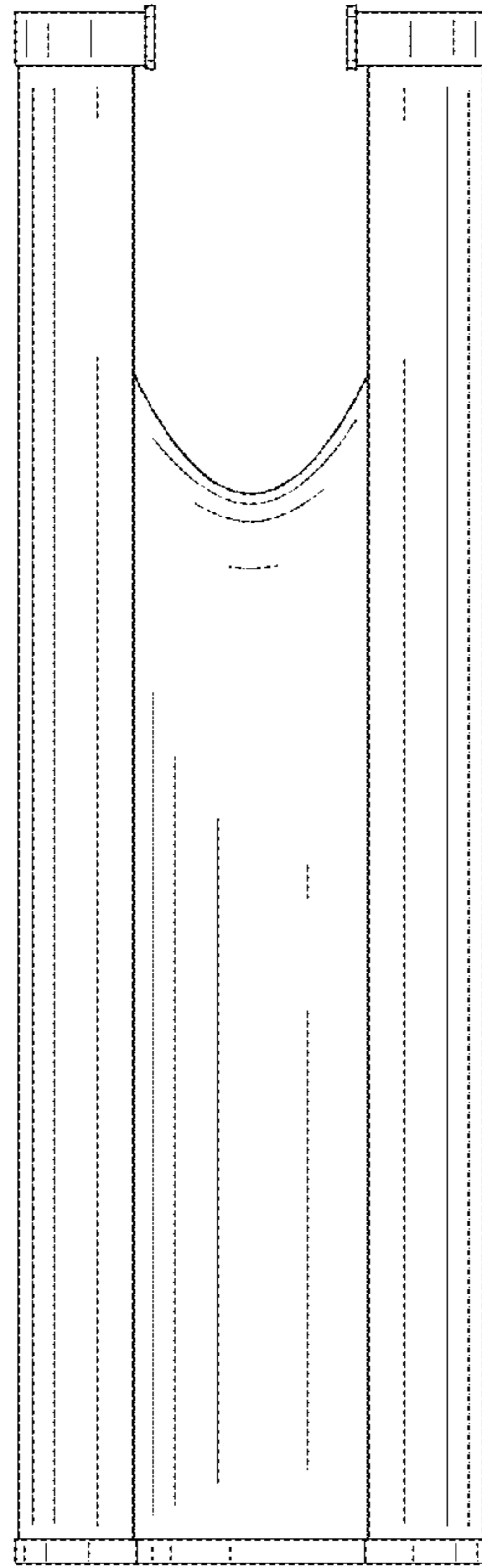


FIG. 6

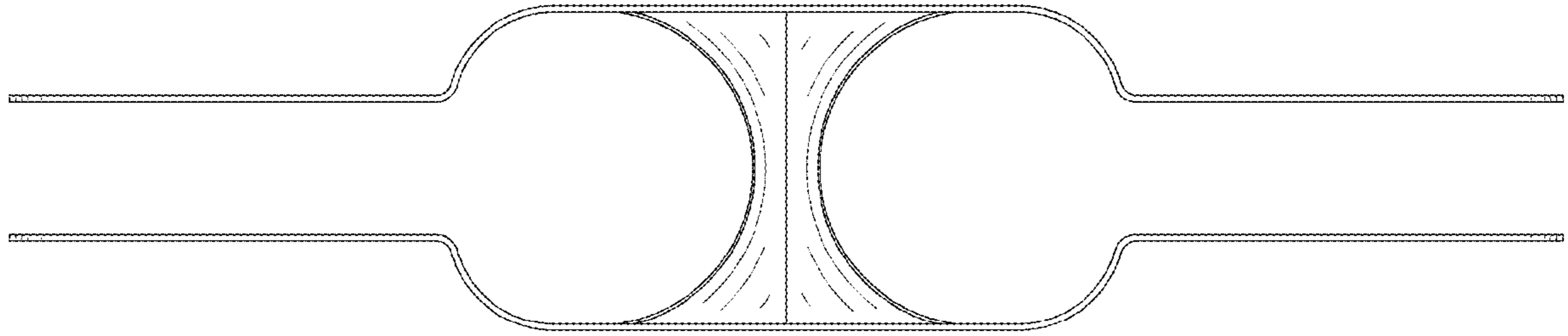


FIG. 7



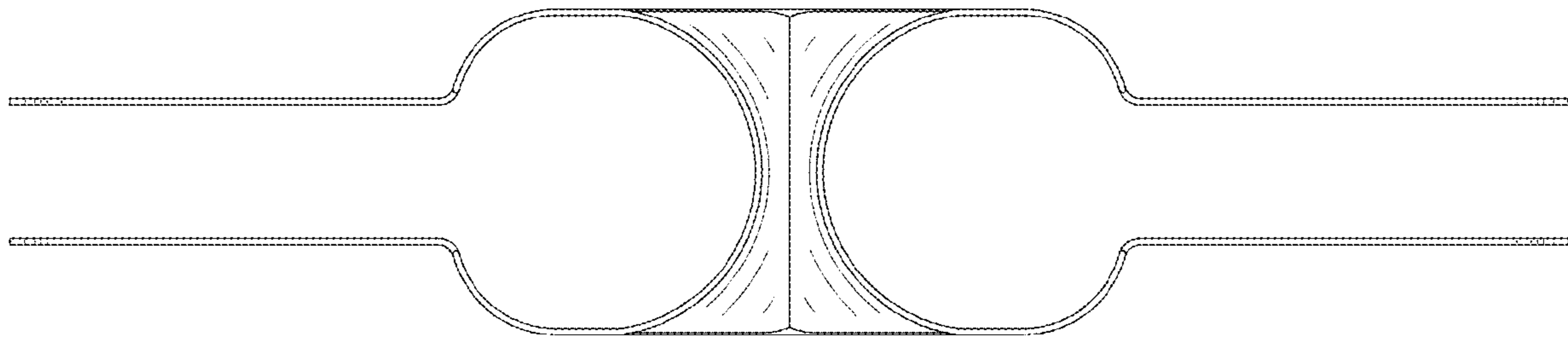


FIG. 8



FIG. 9

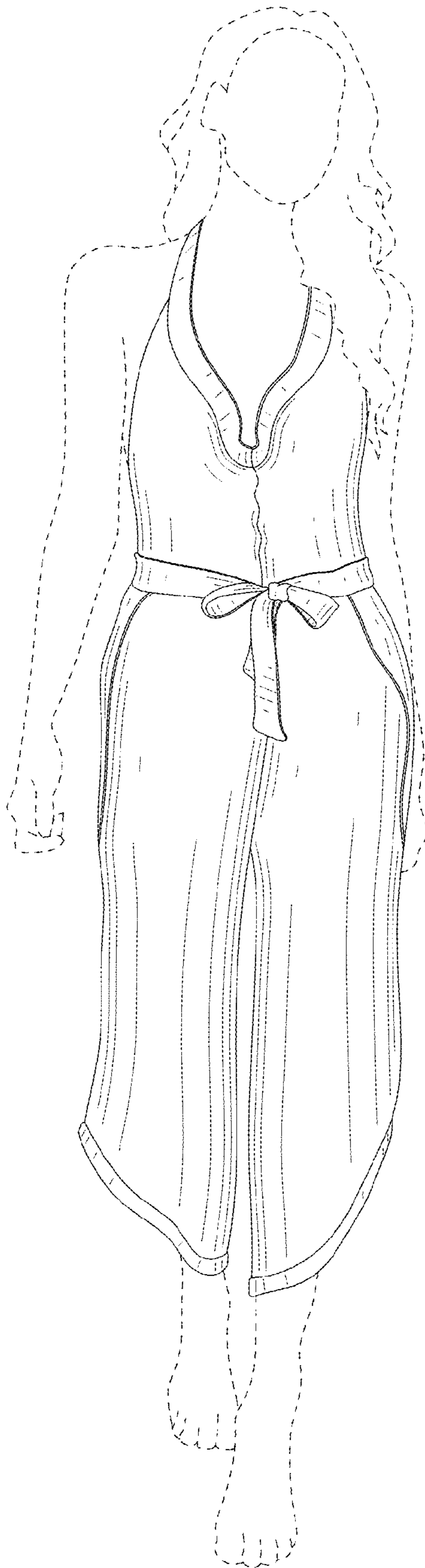


FIG. 10