



US00D985229S

(12) **United States Design Patent** (10) **Patent No.:** **US D985,229 S**
Liu (45) **Date of Patent:** **** May 9, 2023**

(54) **SHAPEWEAR**

(71) Applicant: **Guangzhou Melody Clothing Co., Ltd.**, Guangzhou (CN)

(72) Inventor: **Xiaodan Liu**, Shantou (CN)

(73) Assignee: **Guangzhou Melody Clothing Co., Ltd.**, Guangzhou (CN)

(**) Term: **15 Years**

(21) Appl. No.: **29/884,801**

(22) Filed: **Feb. 16, 2023**

(51) **LOC (14) Cl.** **02-01**

(52) **U.S. Cl.**
USPC **D2/702; D2/701**

(58) **Field of Classification Search**
USPC **D2/700–704, 731.624**
CPC **A41C 1/00; A41C 1/08; A41C 1/10; A41C 1/18; A41C 1/006; A41C 1/06; A41B 9/08**

See application file for complete search history.

(56) **References Cited**

U.S. PATENT DOCUMENTS

- 3,913,146 A * 10/1975 Zero A41B 9/007 2/78.2
- D238,982 S * 3/1976 Lo D2/703
- D252,656 S * 8/1979 Bergh D2/703
- D579,176 S * 10/2008 Giugliano D2/702
- D909,009 S 2/2021 Huang
- D960,497 S * 8/2022 Lin D2/731
- 2019/0373960 A1 * 12/2019 Cano A41B 9/005
- 2023/0022339 A1 * 1/2023 Galanis A41C 1/06
- 2023/0053521 A1 * 2/2023 Williams A41C 1/02

OTHER PUBLICATIONS

Nebility Women Waist Trainer Shapewear Thong Bodysuit, posted Sep. 10, 2019 [online], (retrieved Mar. 8, 2023). Retrieved from the

internet, https://www.amazon.com/dp/B07XRGQD4S/ref=sspa_dk_detail_3?pd_rd_i=B07XRGQD4S&pd_rd_w=YEWmH&content-id=amzn1.sym.a75e3e2e-c6%E2%80%A6 (Year: 2019).*
PowerConceal™ Tummy Control & Butt Lifter _ Seamless Contour Bodysuit, reviewed May 10, 2021 [online], (retrieved Mar. 8, 2023). Retrieved from the internet, <https://www.shapellx.com/products/powerconceal-tummy-control-butt-lifter> (Year: 2021).*
Seamless Power Mesh Shaper Brief, reviewed Jan. 17, 2022 [online], (retrieved Mar. 8, 2023). Retrieved from the internet, <https://www.sheswaisted.com/products/light-brown-adjustable-straps-seamless-bodysuit-shapewear-compression> (Year: 2022).*
ShaperQueen 102A Best Womens Waist Cincher Body Shaper Trimmer Trainer, posted Mar. 2, 2017 [online], (retrieved Mar. 8, 2023). Retrieved from the internet, https://www.amazon.com/dp/B06XDHVMPS/ref=sspa_dk_detail_1?pf_rd_p=56b6d1e1-8781-4e32-a7bc-5298ad4b88ac&pf_rd_r=RSKE9NAZEHQPP%E2%80%A6 (Year: 2017).*

* cited by examiner

Primary Examiner — Kevin K Rudzinski

Assistant Examiner — J. Thorn, Sr.

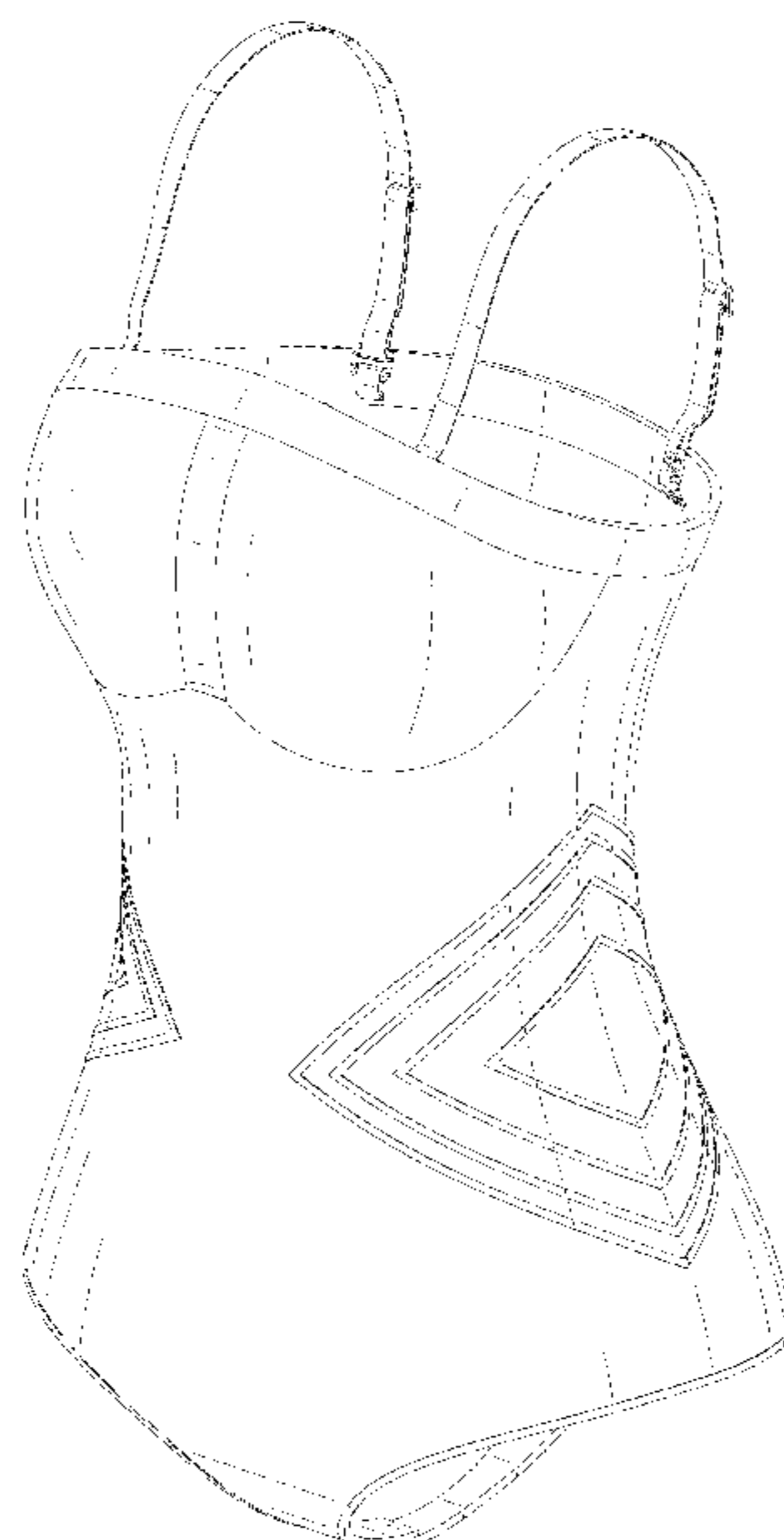
(57) **CLAIM**

The ornamental design for shapewear, as shown and described.

DESCRIPTION

FIG. 1 is a front perspective view of a shapewear, showing my new design;
FIG. 2 is a rear perspective view thereof;
FIG. 3 is a front view thereof;
FIG. 4 is a rear view thereof;
FIG. 5 is a left side view thereof;
FIG. 6 is a right side view thereof;
FIG. 7 is a top view thereof; and,
FIG. 8 is a bottom view thereof.

1 Claim, 8 Drawing Sheets



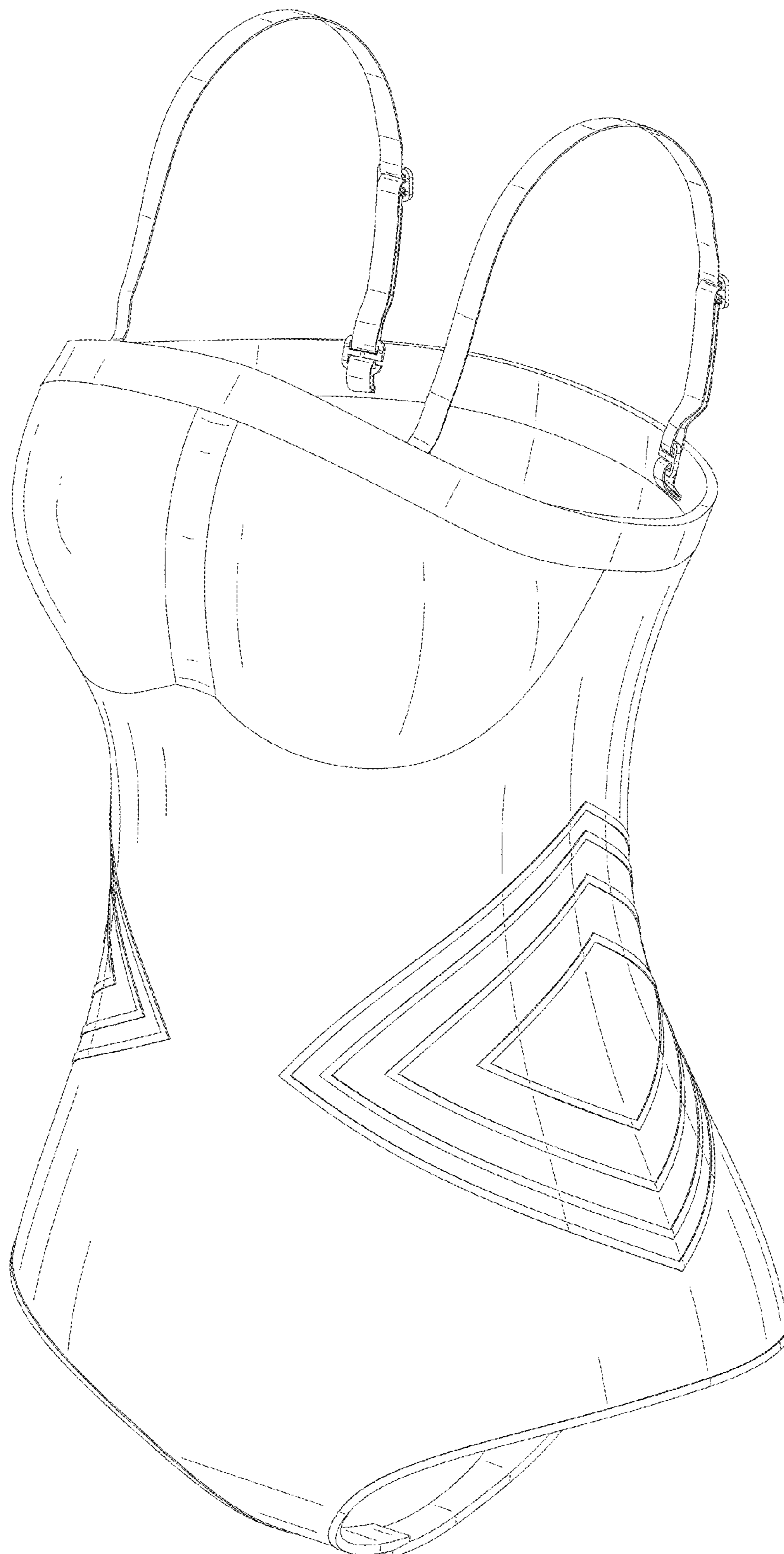


FIG. 1

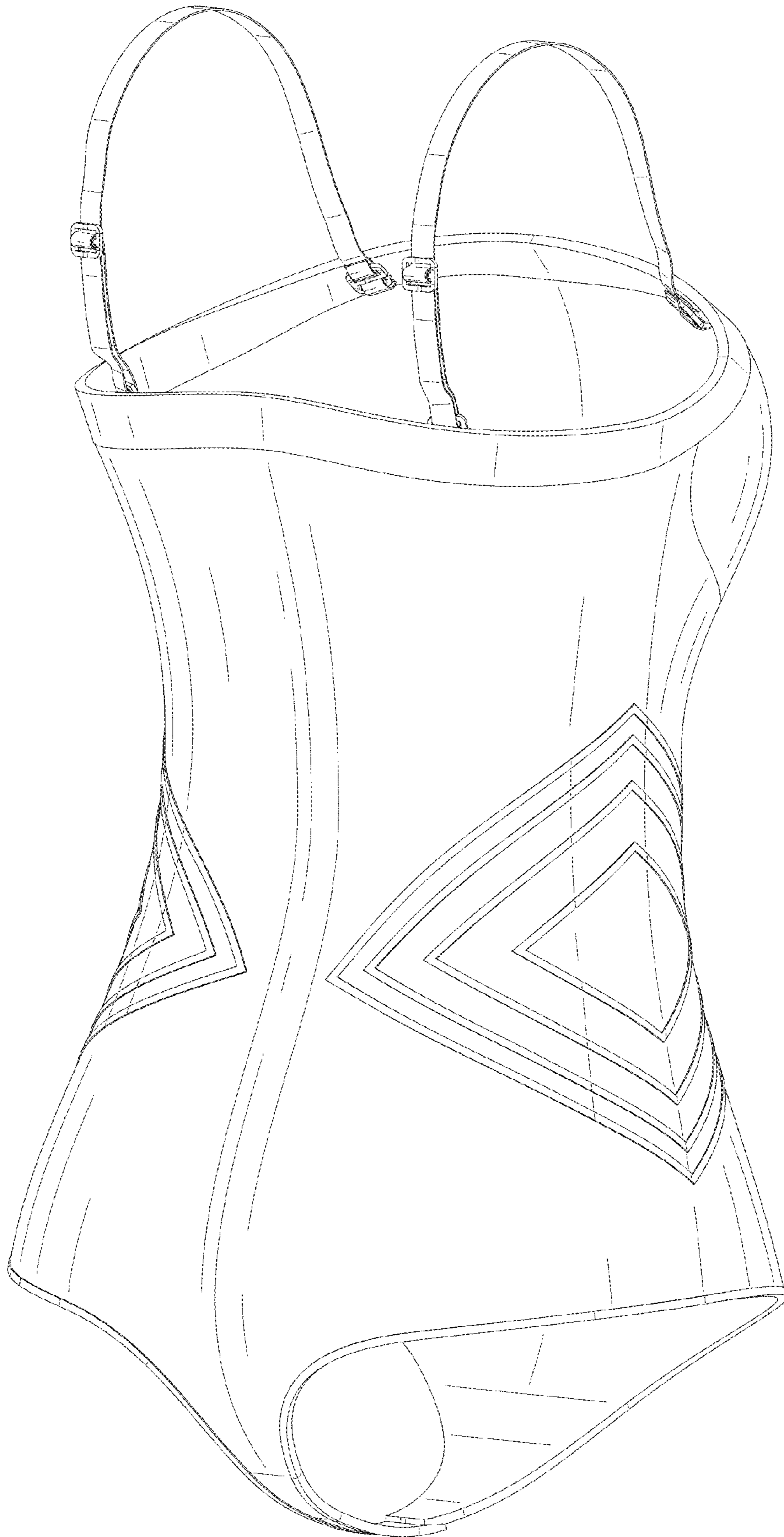


FIG. 2

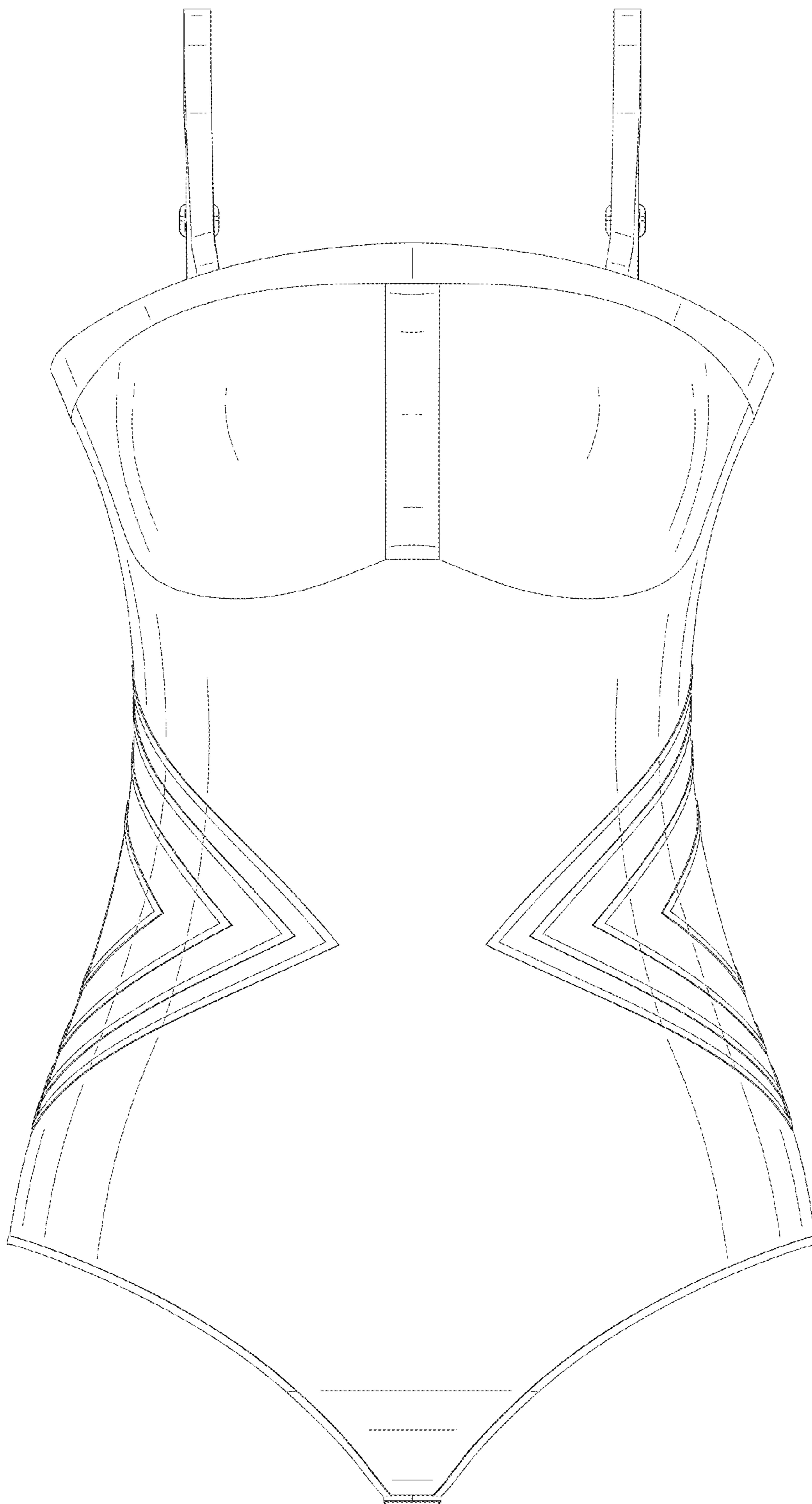


FIG. 3

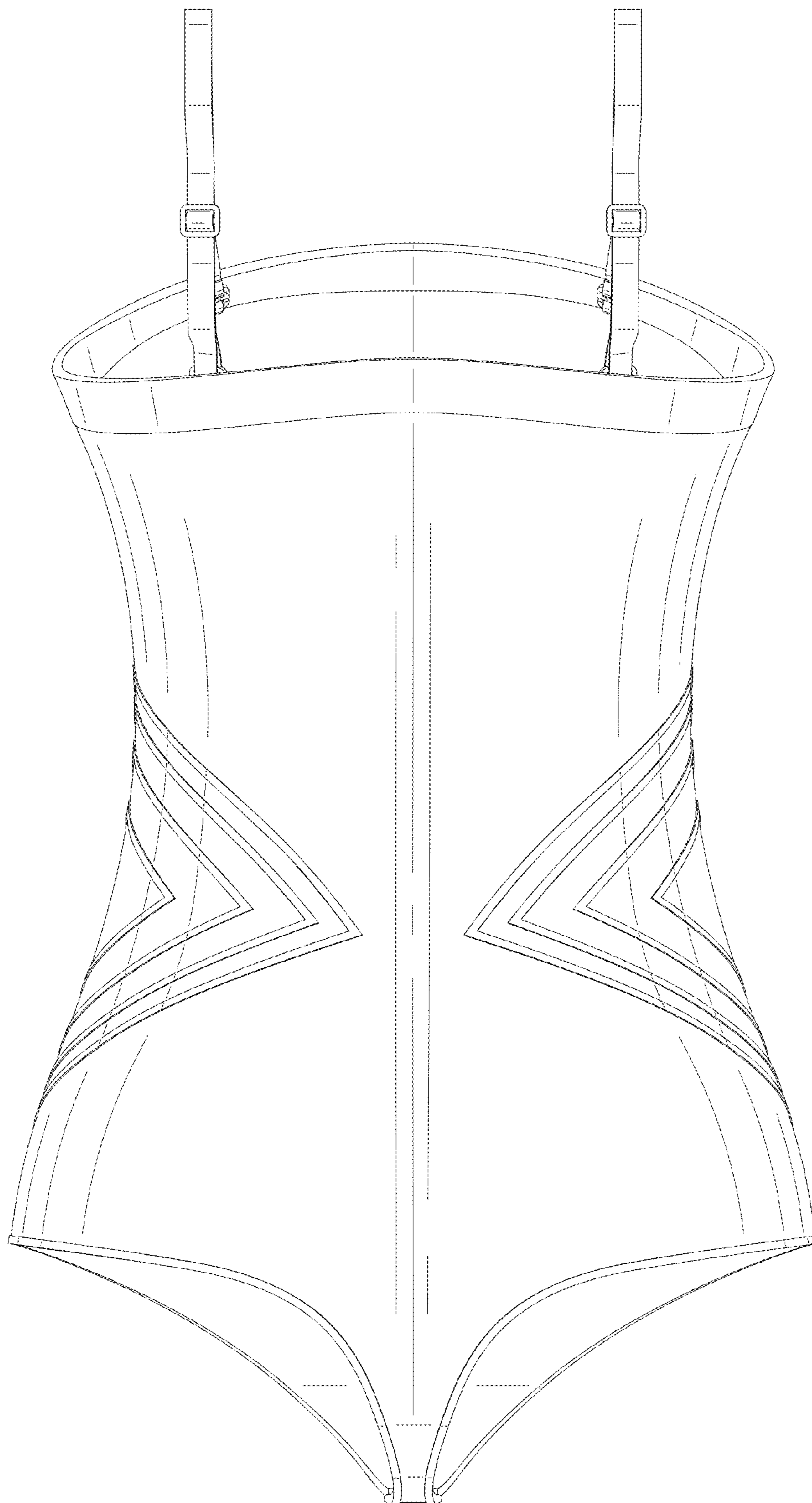


FIG. 4

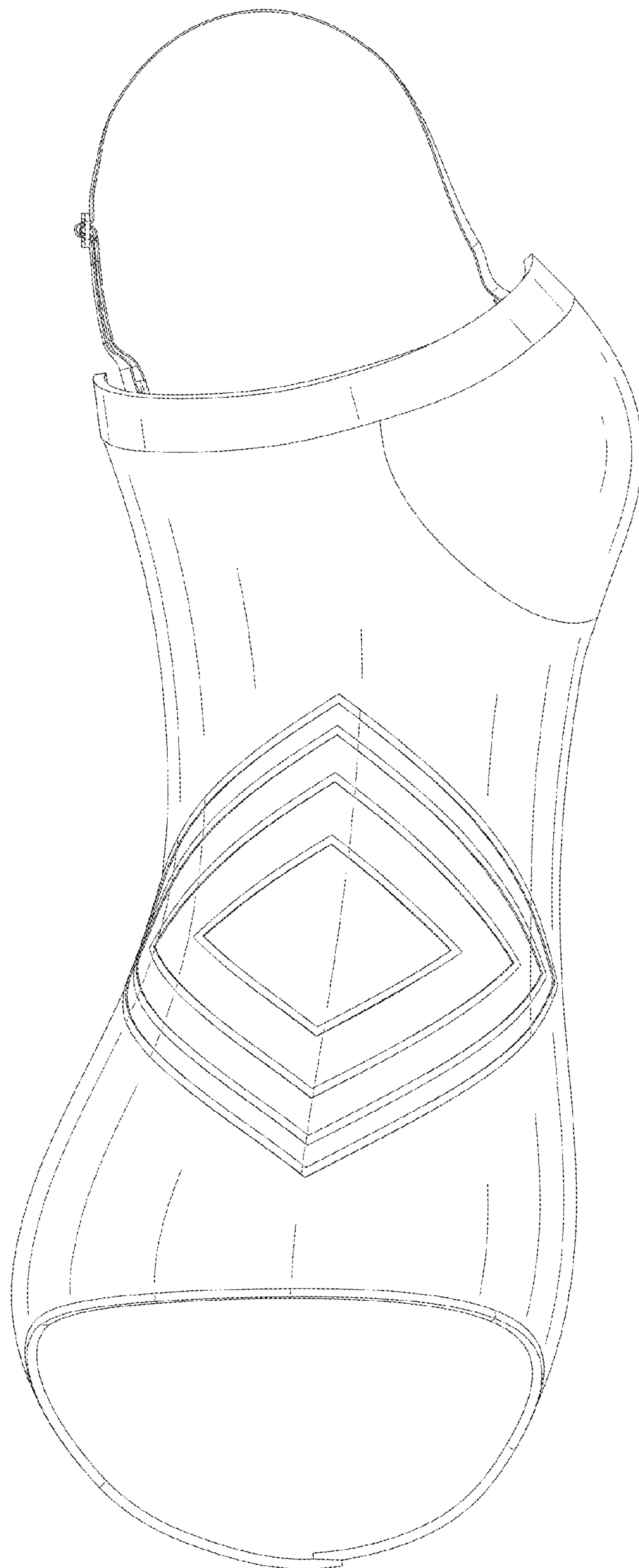


FIG. 5

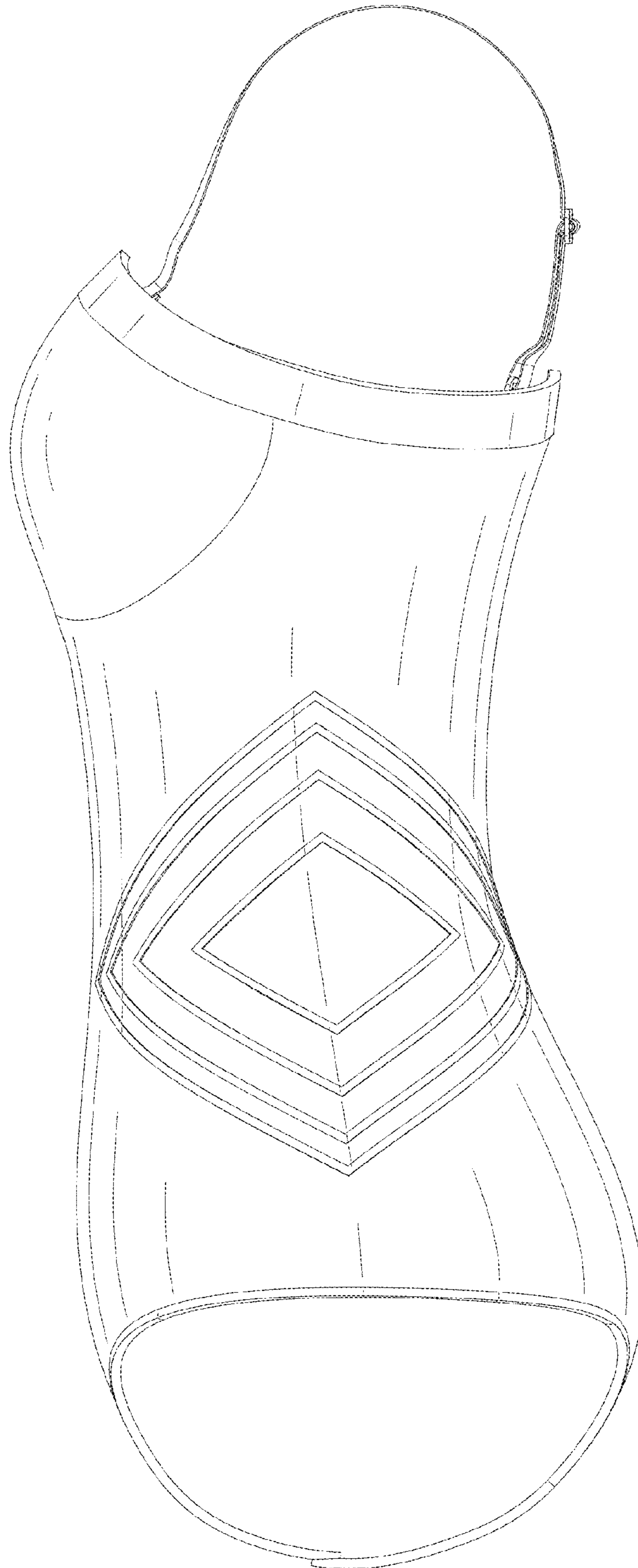


FIG. 6

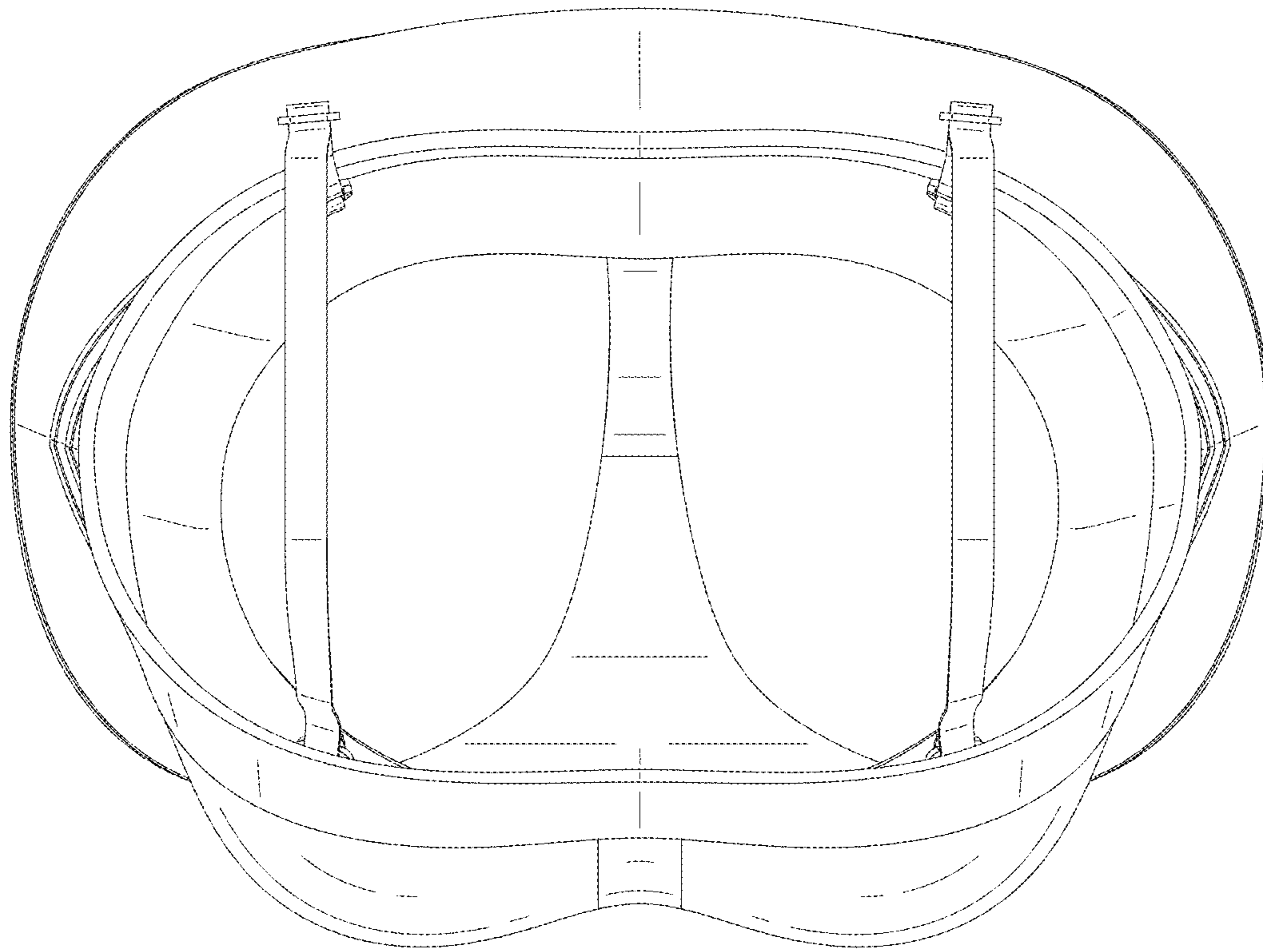


FIG. 7

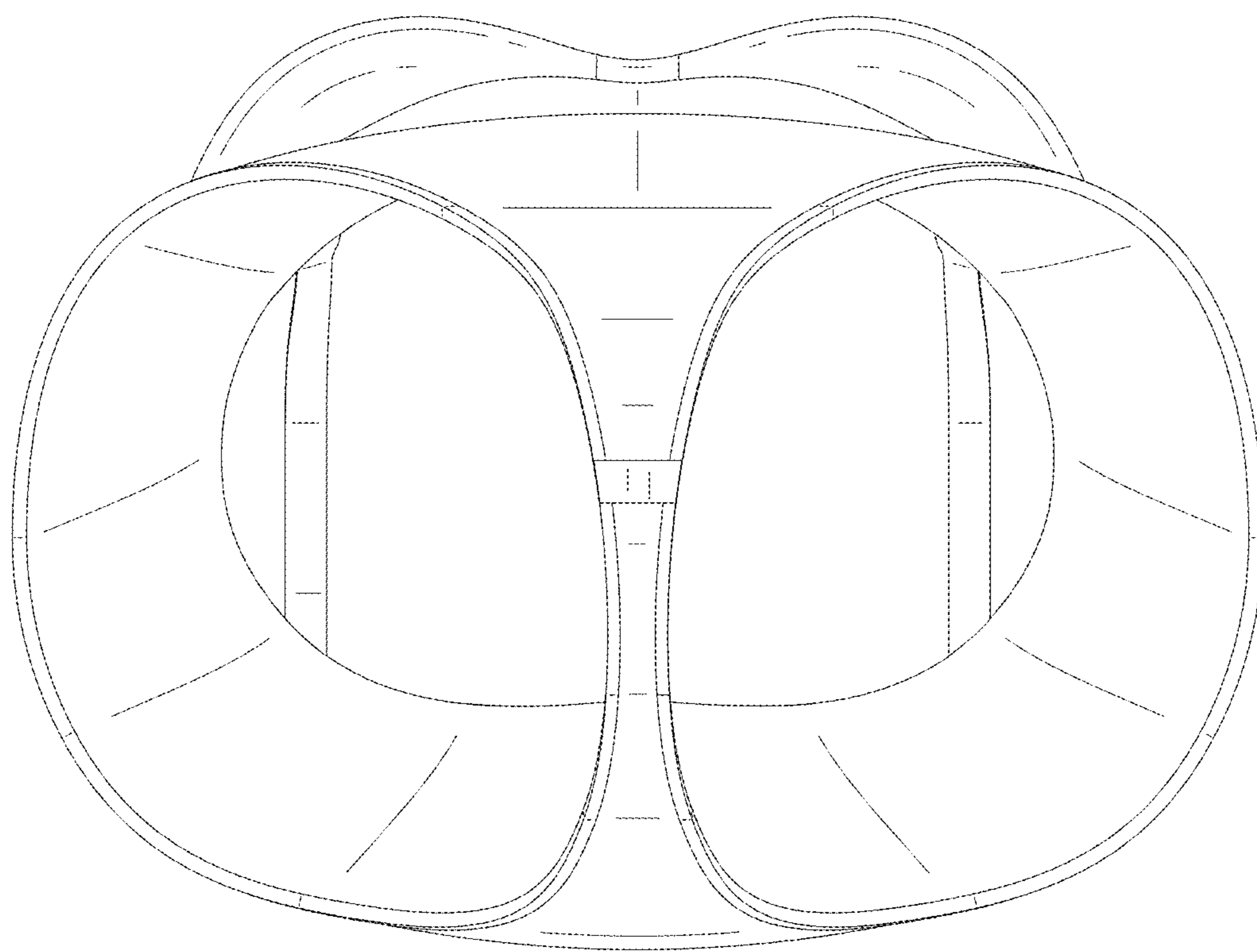


FIG. 8