



US00D985227S

(12) **United States Design Patent** (10) **Patent No.:** **US D985,227 S**  
**Feng** (45) **Date of Patent:** **\*\* May 2, 2023**

(54) **TIME LOCKING CONTAINER**

FOREIGN PATENT DOCUMENTS

(71) Applicant: **Didi Feng**, Guangxi (CN)

CN 206050446 U \* 3/2017  
JP H0620862 Y2 \* 6/1994

(72) Inventor: **Didi Feng**, Guangxi (CN)

OTHER PUBLICATIONS

(\*\*) Term: **15 Years**

Kitchen Safe Time Locking Container. Date first available: Apr. 4, 2014. Site visited: Sep. 16, 2022. Available online: <https://www.amazon.com/Kitchen-Safe-Locking-Container-Height/dp/B00JGFQTYQ> (Year: 2014).\*

(21) Appl. No.: **29/847,166**

(22) Filed: **Jul. 21, 2022**

(51) **LOC (14) Cl.** ..... **06-04**

(52) **U.S. Cl.**

USPC ..... **D99/28**

(58) **Field of Classification Search**

USPC ..... D9/414, 416, 420, 423-424, 430-433, D9/529, 715, 717, 721, 761; D3/272, D3/283, 284, 286, 295, 315, 274, 302; D99/34, 35, 36, 28; D7/708, 601, 602, D7/605, 609, 357; D23/362, 366  
CPC ..... B65D 1/36; B65D 1/20; B65D 81/3294; B65D 81/3261; B65D 5/6661; B65D 5/545; B65D 45/16

See application file for complete search history.

(Continued)

*Primary Examiner* — Catherine S Posthauer

*Assistant Examiner* — Joan E. Diehl

(74) *Attorney, Agent, or Firm* — Che-Yang Chen; Law Office of Michael Chen

(57) **CLAIM**

The ornamental design for a time locking container, as shown and described.

(56) **References Cited**

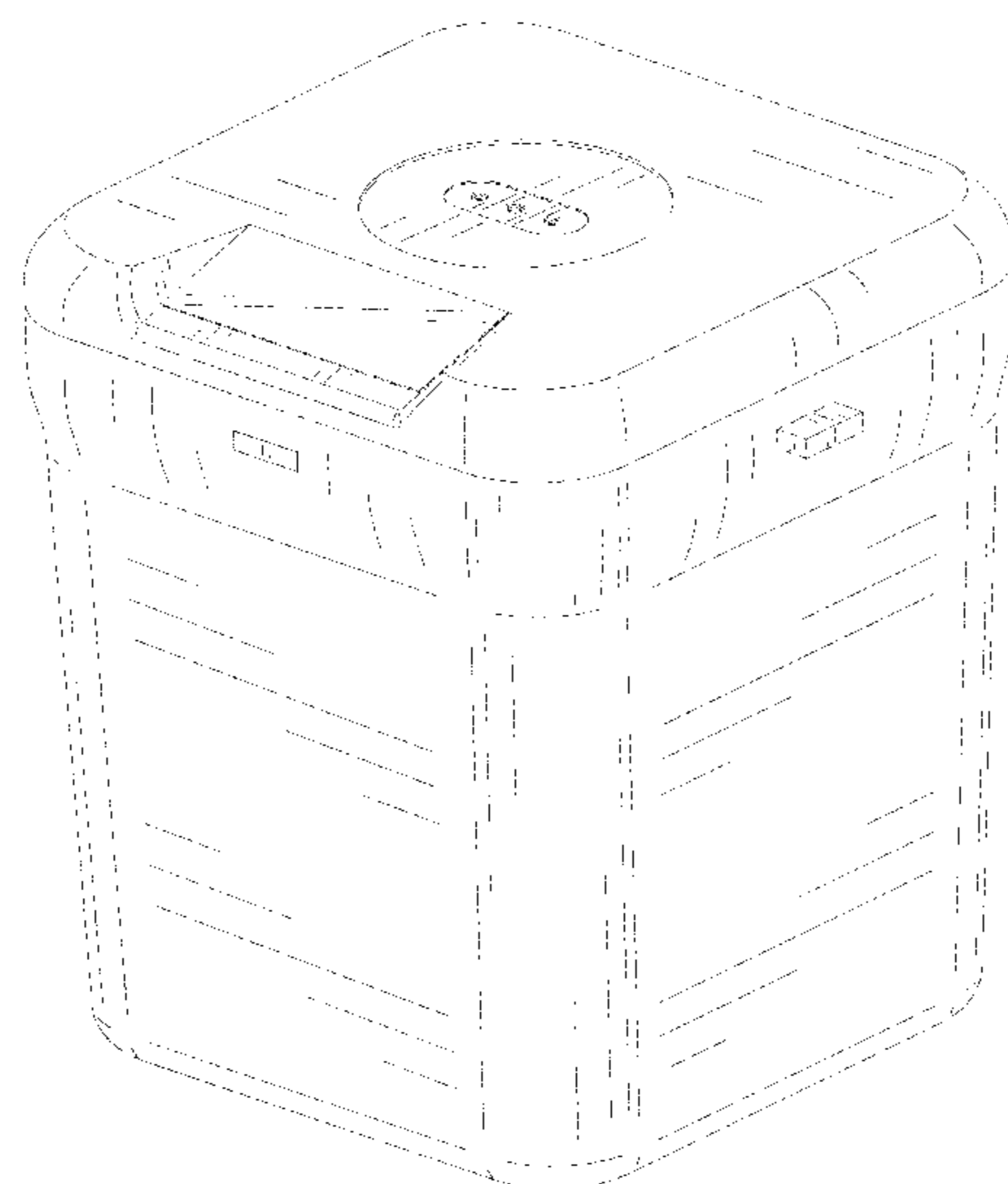
U.S. PATENT DOCUMENTS

D302,491 S \* 8/1989 Brush, Jr. .... D99/28  
D351,792 S \* 10/1994 Morris, Sr. .... D9/425  
D362,180 S \* 9/1995 Haines ..... E05G 1/00  
D9/532  
D403,590 S \* 1/1999 Wong ..... D9/414  
D469,011 S \* 1/2003 Miller ..... D7/601  
D694,615 S \* 12/2013 Mombelli ..... D99/28  
D753,994 S 4/2016 Pantelleria  
D793,230 S \* 8/2017 Kagawa ..... D9/434  
D821,869 S \* 7/2018 Cheng ..... D9/432  
D833,202 S \* 11/2018 Yang ..... D7/354  
D833,864 S \* 11/2018 Tham ..... D9/414  
D904,875 S \* 12/2020 Giraud ..... D9/423  
D925,354 S \* 7/2021 Wilson ..... E05G 1/00  
109/71  
D963,829 S \* 9/2022 Lee ..... E05G 1/00  
D99/28

**DESCRIPTION**

FIG. 1 is a perspective view of the time locking container showing my new design;  
FIG. 2 is a perspective view thereof from another angle;  
FIG. 3 is a front elevational view thereof;  
FIG. 4 is a rear elevational view thereof;  
FIG. 5 is a left side elevational view thereof;  
FIG. 6 is a right side elevational view thereof;  
FIG. 7 is a top plan view thereof;  
FIG. 8 is a bottom plan view thereof; and,  
FIG. 9 is an exploded view thereof.  
The broken lines shown in the drawings represent portions of the time locking container that form no part of the claimed design.

**1 Claim, 9 Drawing Sheets**



(56)

**References Cited**

OTHER PUBLICATIONS

Timer Lock Container. Date first available: May 18, 2020. Site visited: Sep. 16, 2022. Available online: <https://www.amazon.com/Container-Multi-Function-Dependence-Smartphone-Smartphones/dp/B088TPYTDS> (Year: 2020).\*

Instant Pot® Duo™ Crisp. Date first available: Mar. 2022. Site visited: Sep. 16, 2022. Available online: <https://www.instanthome.com/product/instant-pot/duo-crisp/air-fryer-6-5-quart-ultimate-lid-multi-cooker> (Year: 2022).\*

\* cited by examiner

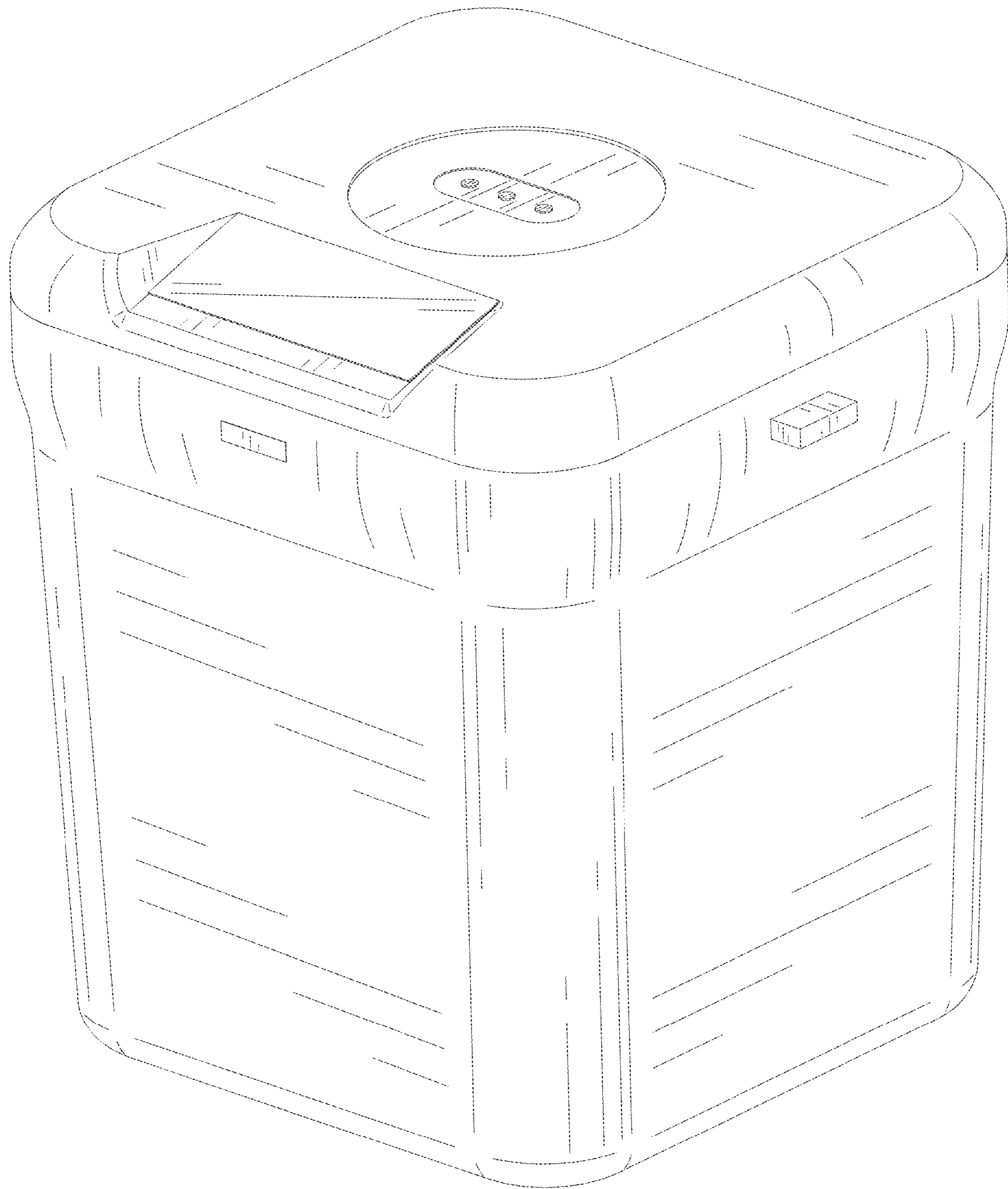


FIG. 1

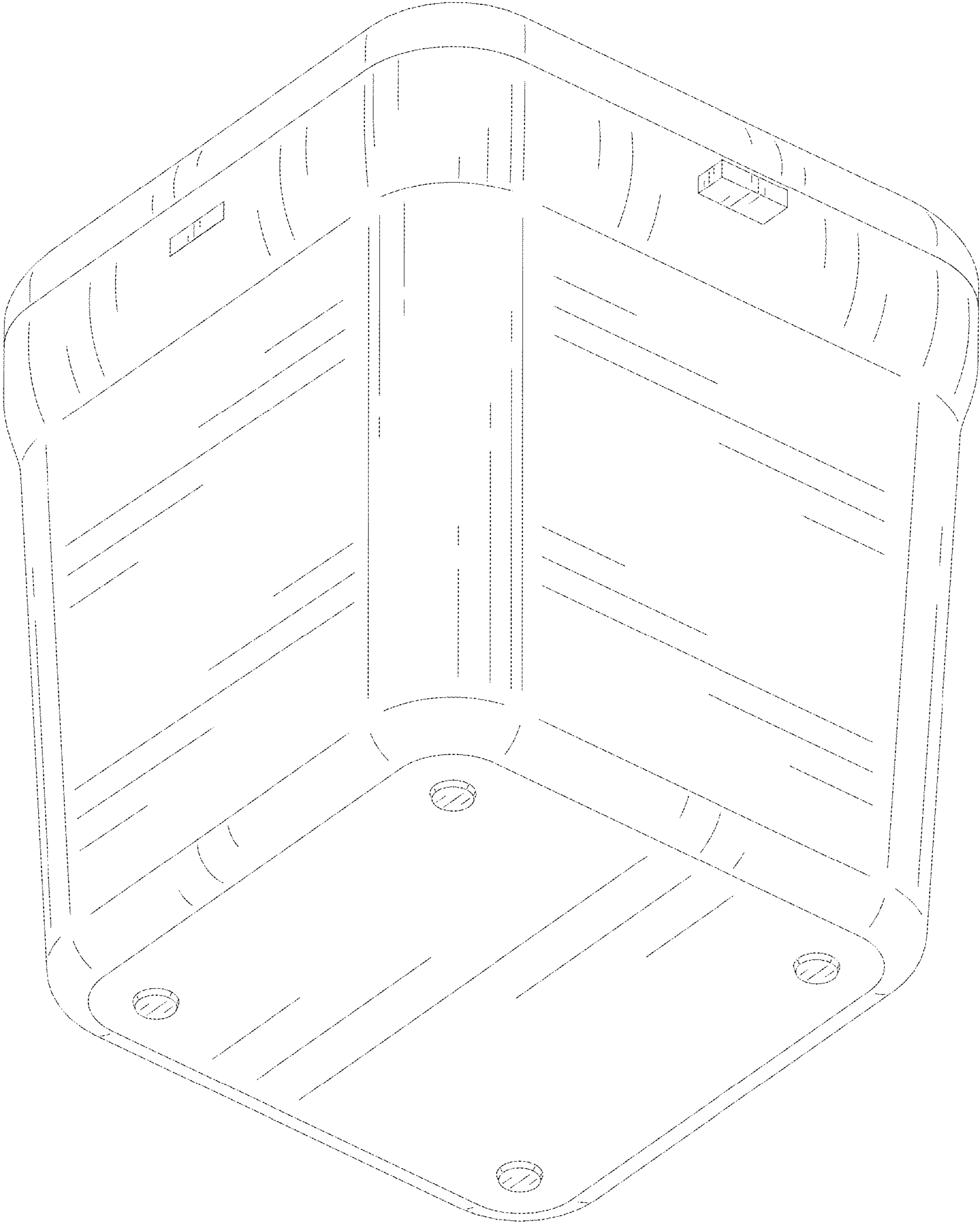


FIG. 2

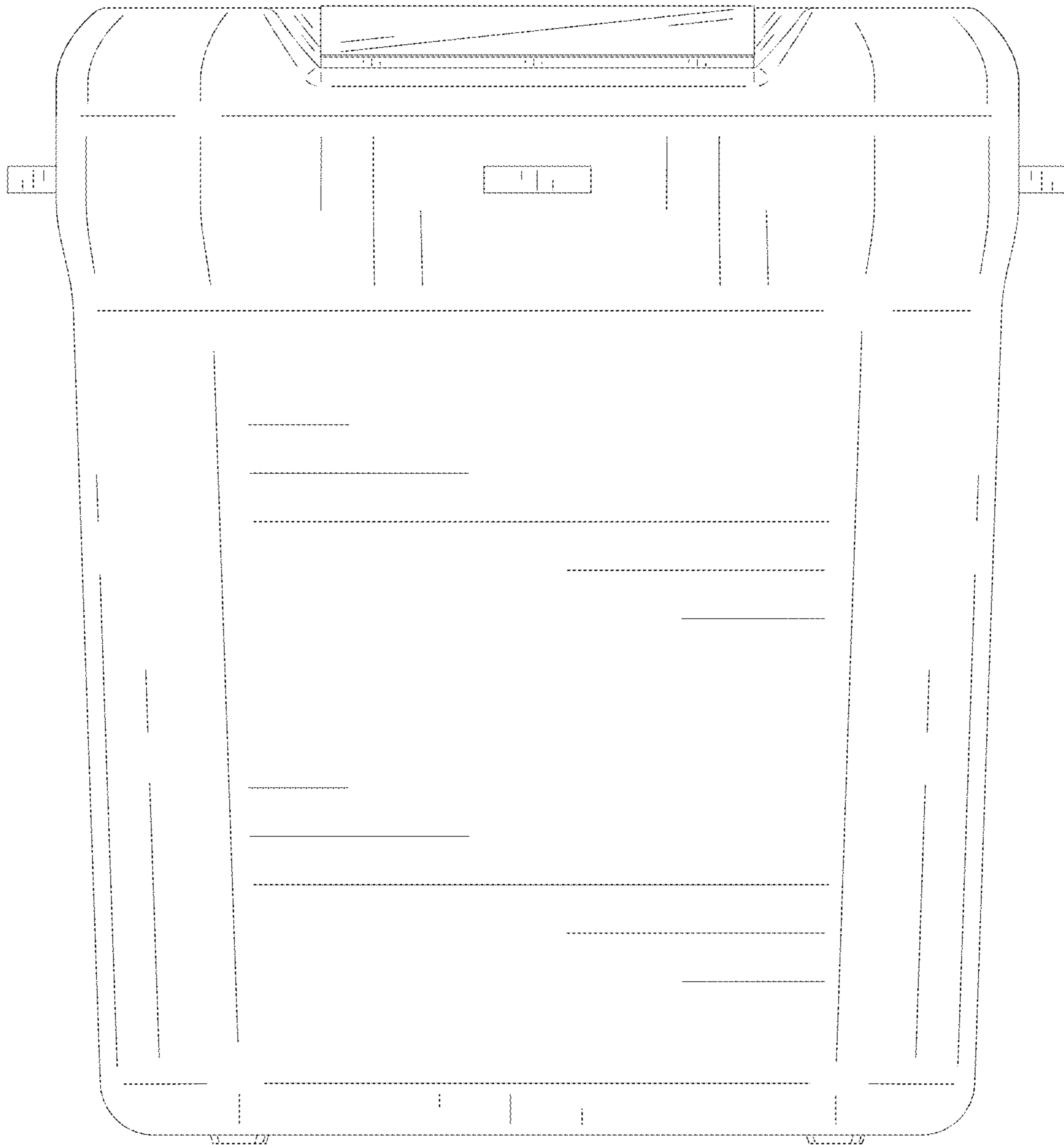


FIG. 3

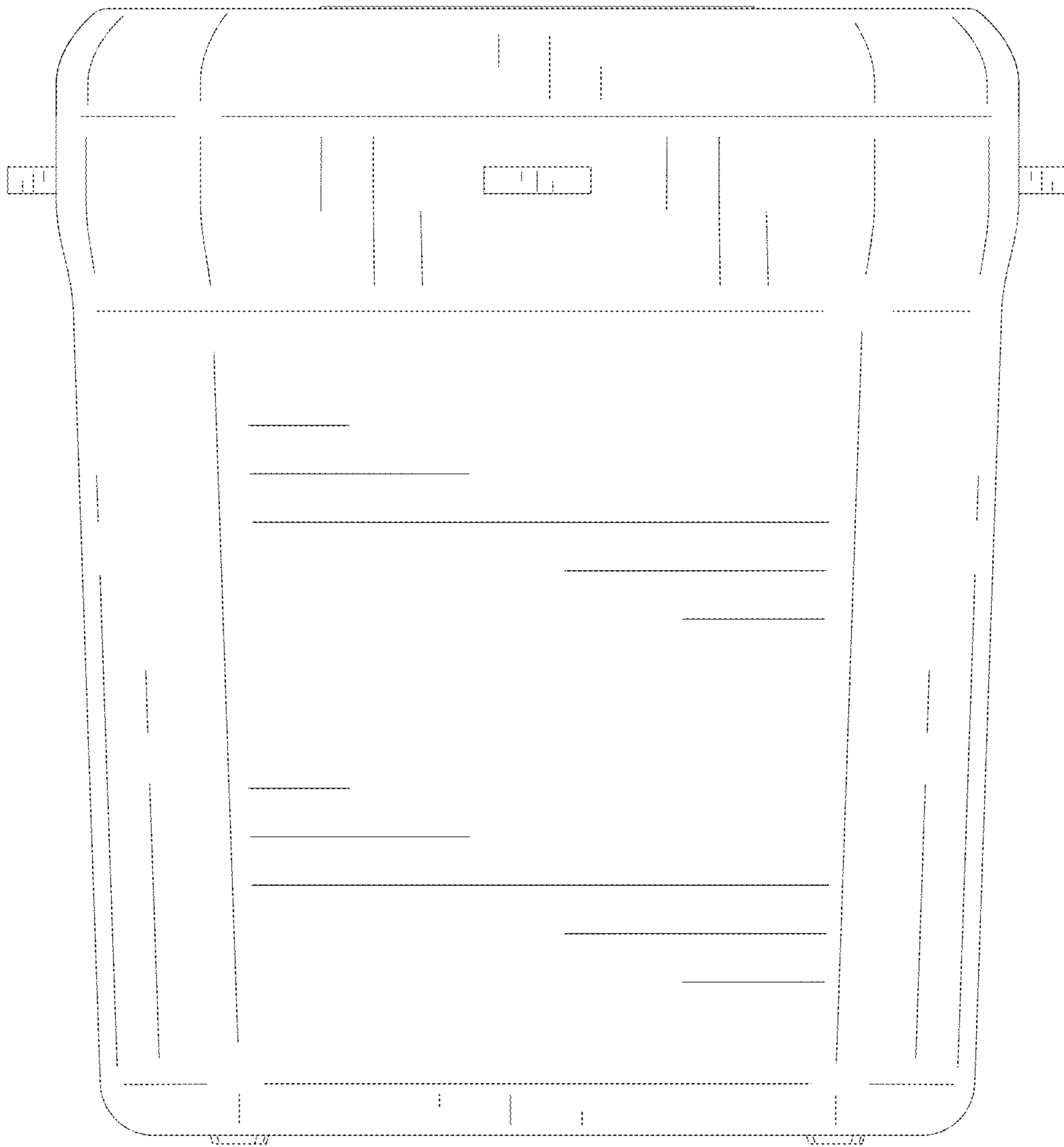


FIG. 4

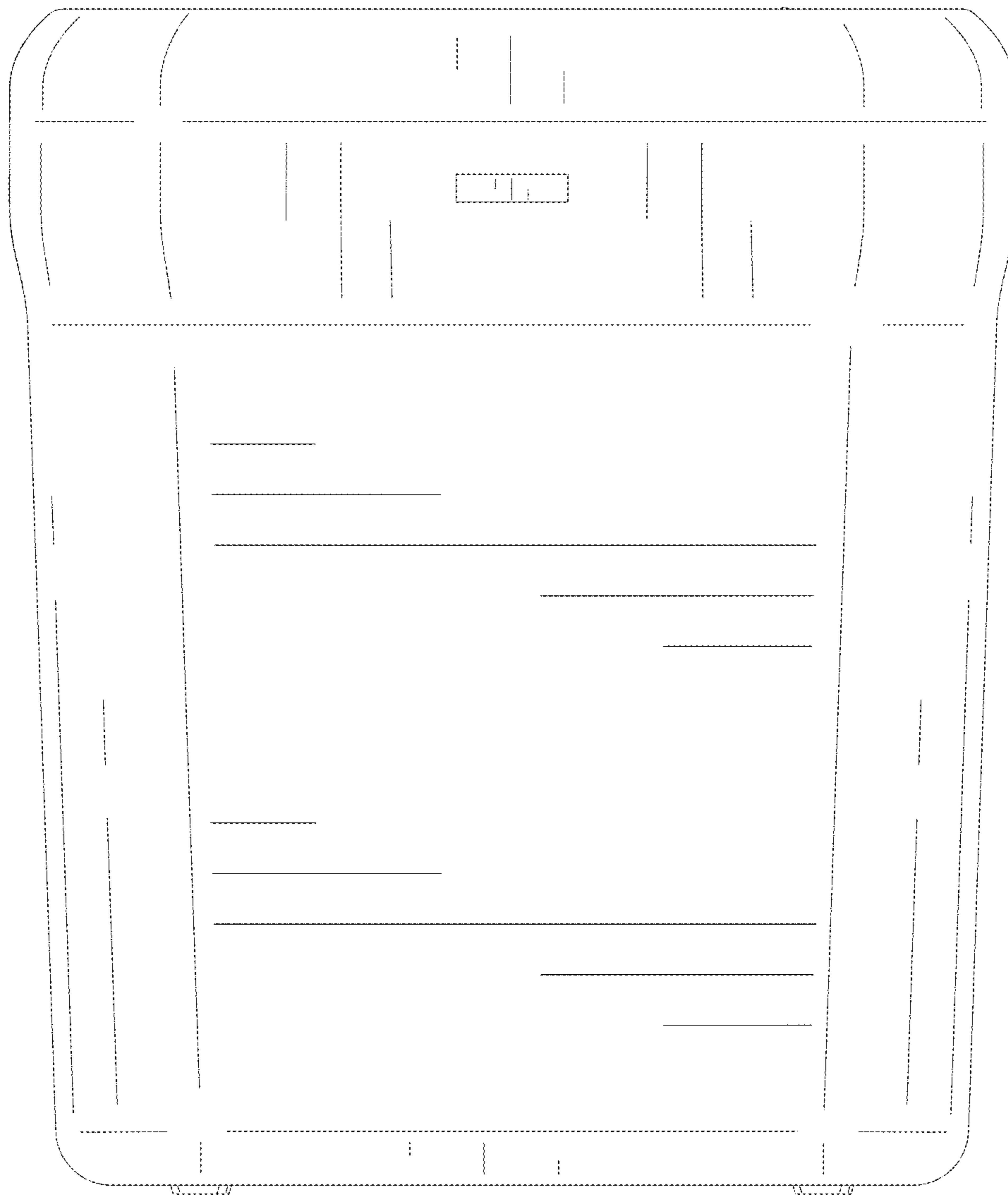


FIG. 5

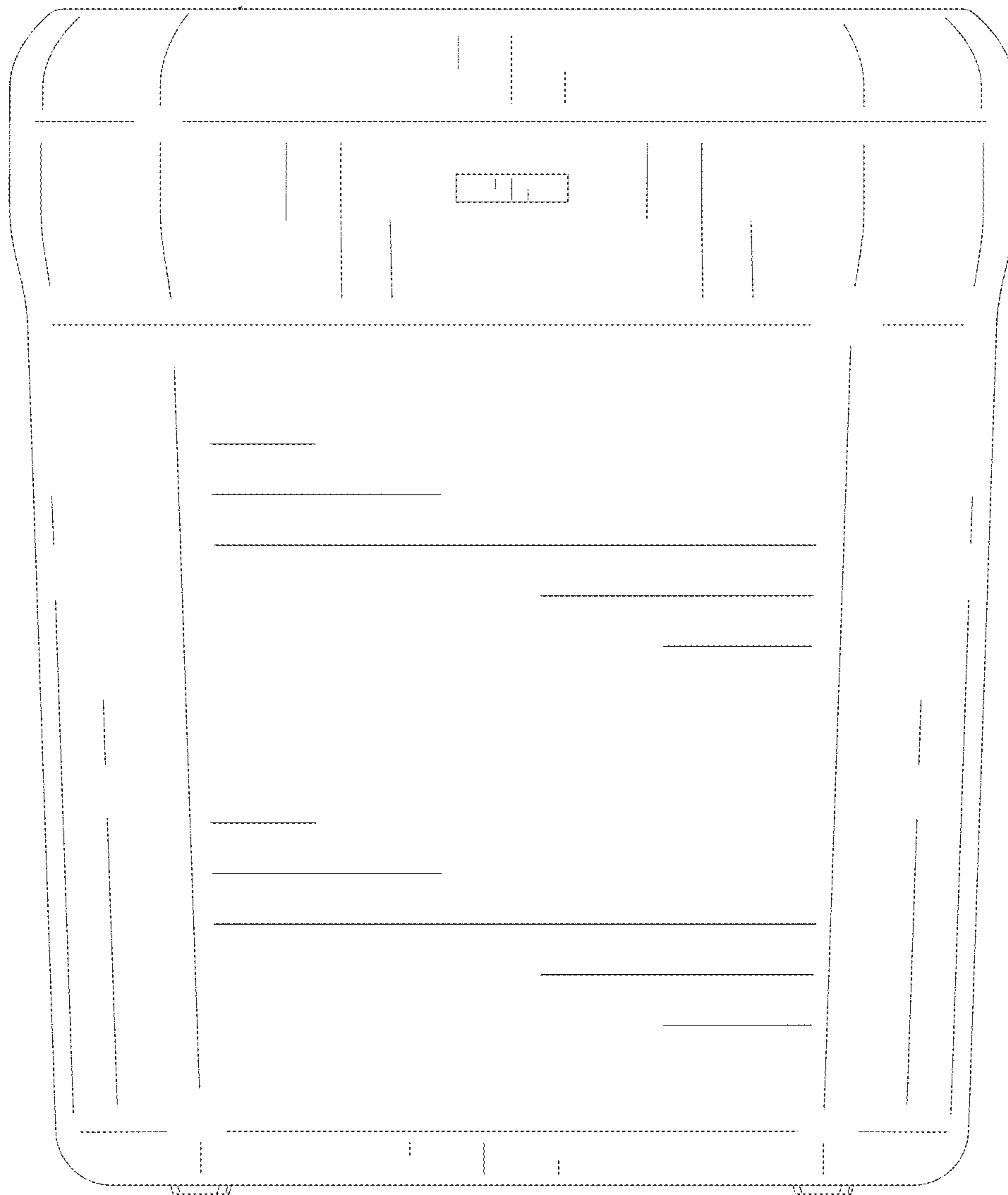


FIG. 6



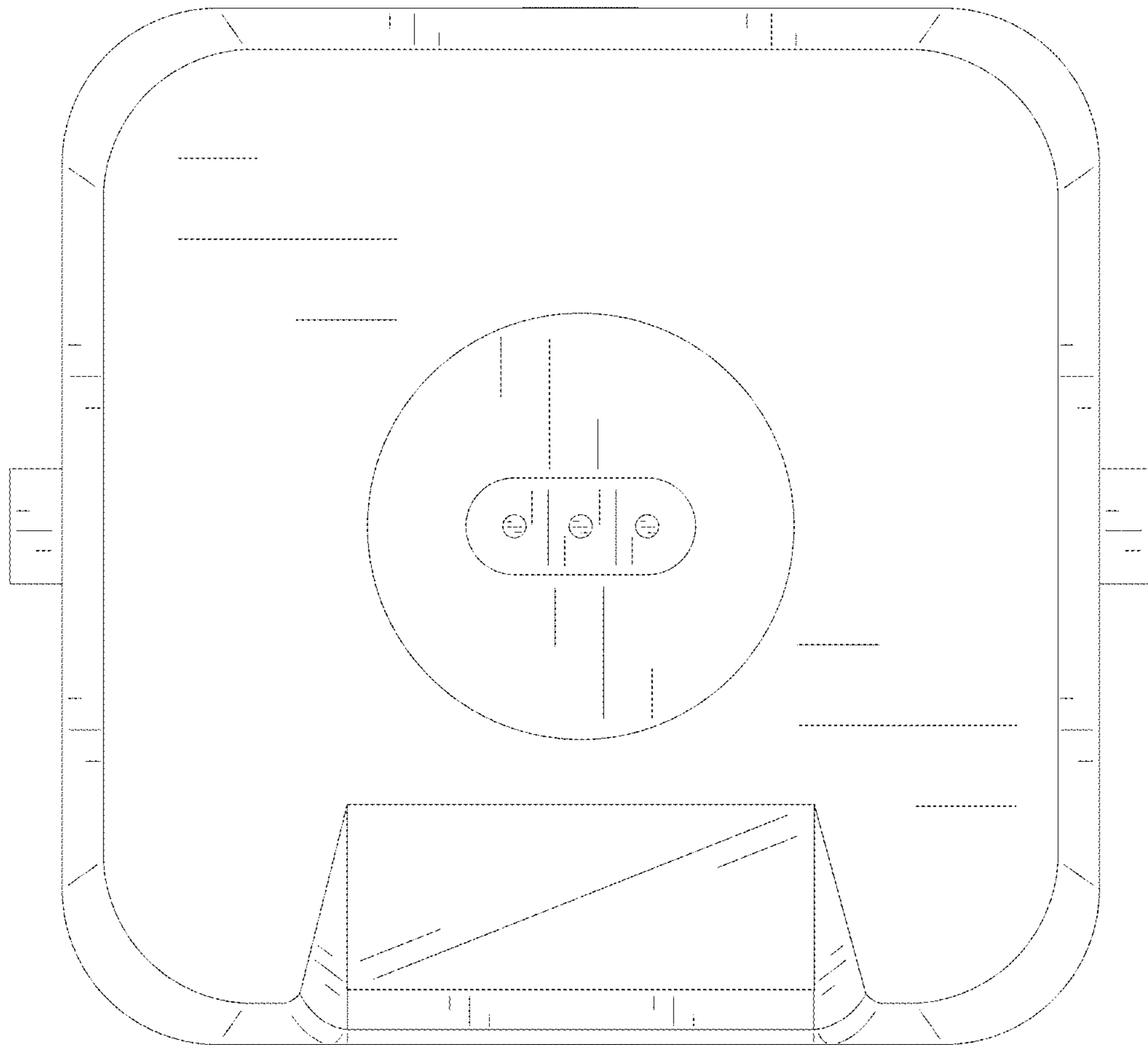


FIG. 7

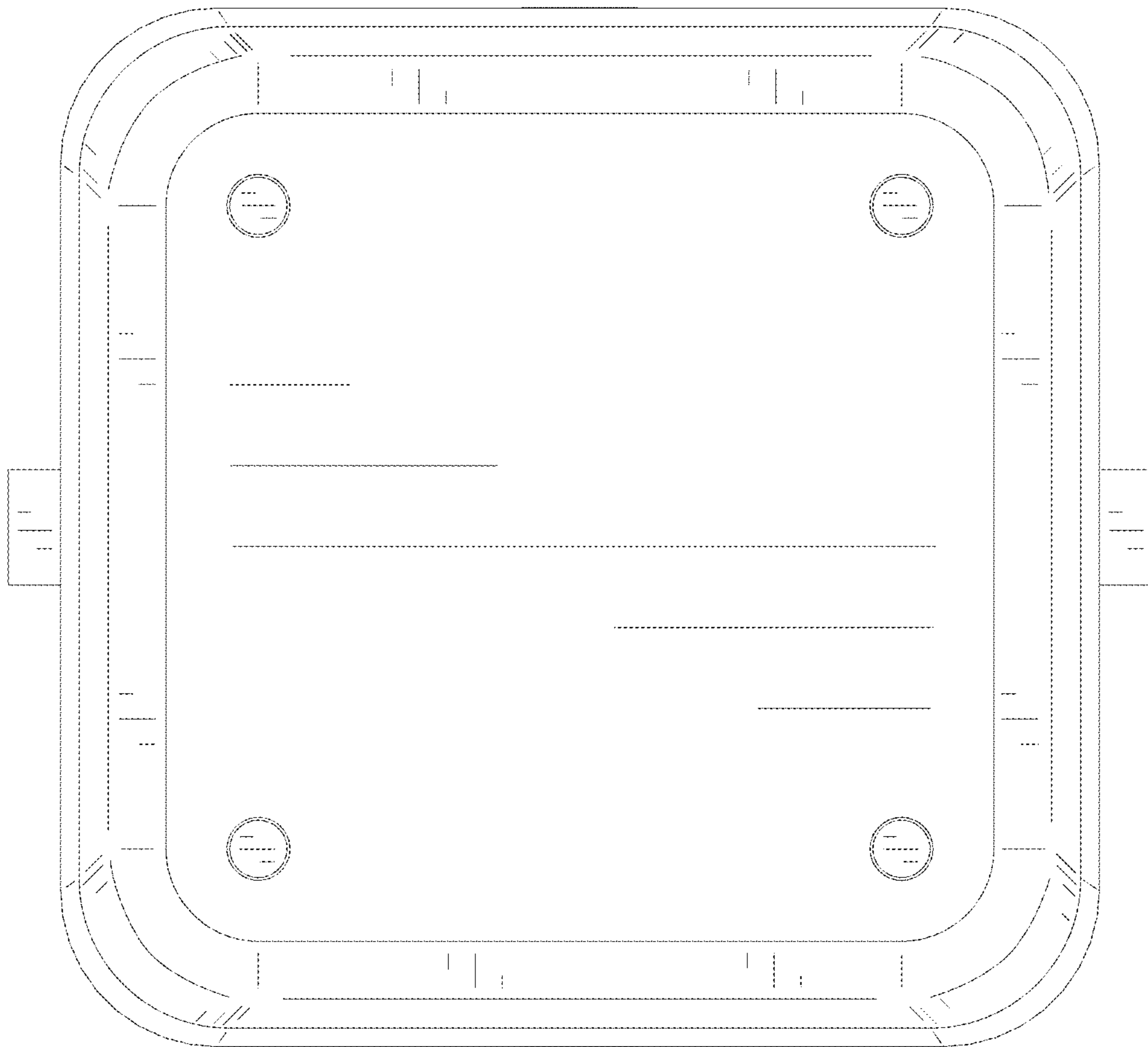


FIG. 8

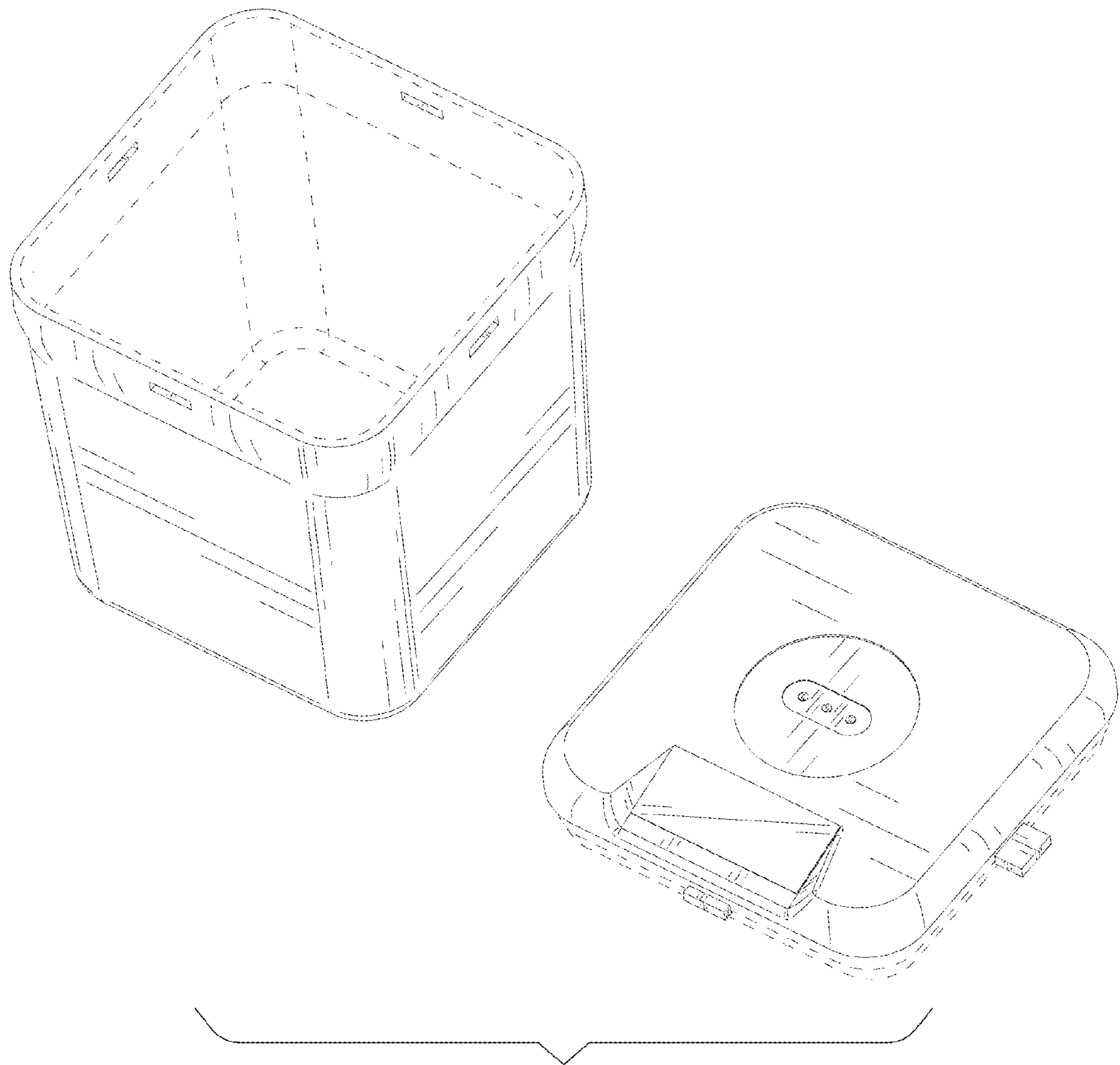


FIG. 9