



US00D985226S

(12) **United States Design Patent** (10) **Patent No.:** **US D985,226 S**
Song (45) **Date of Patent:** **** May 2, 2023**

(54) **FISHING MAGNET**
(71) Applicant: **Yunxia Song**, Shanghai (CN)
(72) Inventor: **Yunxia Song**, Shanghai (CN)
(**) Term: **15 Years**
(21) Appl. No.: **29/850,887**

D809,354 S * 2/2018 Richer D8/14
D814,257 S * 4/2018 Berndt D8/14
D839,722 S 2/2019 Schaubach
D852,150 S * 6/2019 Turksu D13/183
D895,923 S * 9/2020 Jie D22/136
D908,477 S * 1/2021 Liu D8/367
D917,266 S 4/2021 Winnie
D934,527 S * 10/2021 Zhao D22/136
D945,866 S 3/2022 Luo

(Continued)

(22) Filed: **Aug. 24, 2022**
(51) **LOC (14) Cl.** **12-05**
(52) **U.S. Cl.**
USPC **D34/28**
(58) **Field of Classification Search**
USPC D34/28, 33, 35; D22/136; D8/14, 387
CPC H01F 7/0257; B66C 1/00; B66C 1/04
See application file for complete search history.

OTHER PUBLICATIONS

Walmart.com Nov. 8, 2022, Mgaxyff D75 recovery super strong pull sea fishing neodymium magnet, <https://www.walmart.com/ip/Mgaxyff-D75-Recovery-Super-Strong-Pull-Sea-Fishing-Neodymium-Magnet-Hunting-Charms-Eyebolt-Sea-Fishing-Magnet/618254833> (Year: 2022).*

(Continued)

Primary Examiner — Cynthia Ramirez

(74) *Attorney, Agent, or Firm* — Runit Ranjit Kanakia

(56) **References Cited**
U.S. PATENT DOCUMENTS
2,626,175 A * 1/1953 Jessop B66C 1/04
294/82.11
3,009,727 A * 11/1961 Jones B66C 1/04
212/251
3,584,909 A * 6/1971 Behnke B66C 1/04
294/81.5
D390,100 S * 2/1998 Thatcher D8/394
6,002,317 A * 12/1999 Pignataro H01F 7/04
335/289
6,076,873 A * 6/2000 Jung B66C 1/04
335/295
6,104,271 A * 8/2000 Barrett H01F 7/0268
335/291
D490,201 S * 5/2004 Liao D34/28
D554,482 S 11/2007 Hager
D680,852 S 4/2013 Gilboe
D707,537 S 6/2014 Schraufnagel
D769,705 S * 10/2016 Moreau D8/382
D787,303 S 5/2017 Garvin
D801,789 S 11/2017 Angay
D808,779 S 1/2018 Shoenhair

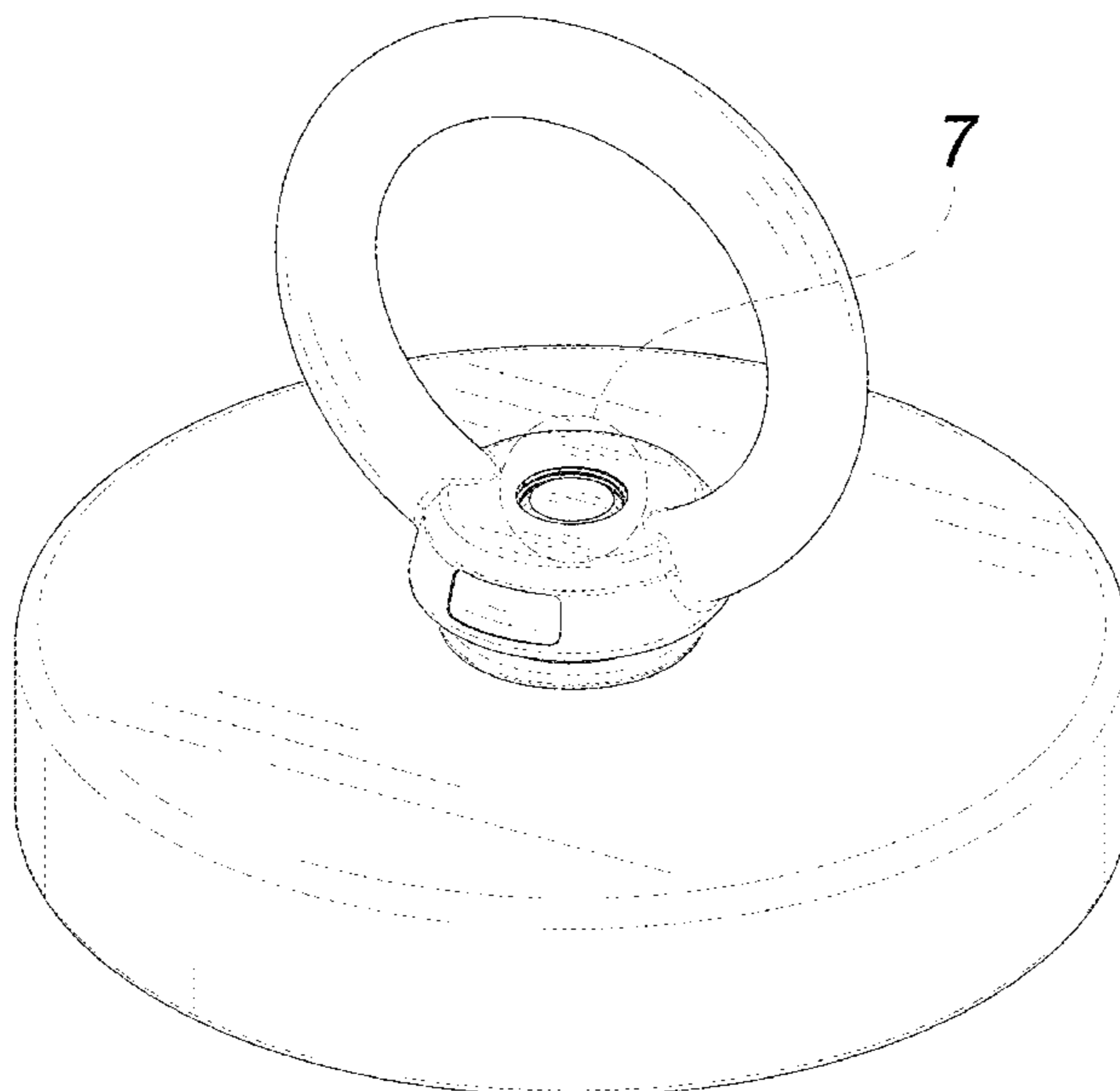
(57) **CLAIM**

The ornamental design for a fishing magnet, as shown and described.

DESCRIPTION

FIG. 1 is a perspective view of a fishing magnet showing my new design;
FIG. 2 is another perspective view thereof;
FIG. 3 is a front elevational view thereof, the rear elevational view is identical;
FIG. 4 is a left side view thereof, the right side view is identical;
FIG. 5 is a top plan view thereof;
FIG. 6 is a bottom plan view thereof; and,
FIG. 7 is a partial enlarged view of FIG. 1.
The broken lines in the figures show boundaries of enlargements and form no part of the claimed design.

1 Claim, 7 Drawing Sheets



(56)

References Cited

U.S. PATENT DOCUMENTS

D960,694 S 8/2022 Chen

OTHER PUBLICATIONS

Eaglemagnet.com Nov. 8, 2022, D75 Fishing magnets with one hook, 2022, <https://www.eaglemagnet.com/product/d75-fishing-magnets-with-one-hook> (Year: 2022).*

AliExpress.com Nov. 8, 2022, 10 Size fishing magnet salvage fishing hook magnets, 2022, https://www.aliexpress.us/item/2255801152225877.html?isdl=y&gatewayAdapt=glo2usa4itemAdapt&_randl_shipto=US (Year: 2022).*

Senseipro.pl Nov. 8, 2022, Magnes neodymowy Sensei 250kg, Review dated Aug. 16, 2022, <https://senseipro.pl/magnes-neodymowy-sensei-250-kg/> (Year: 2022).*

* cited by examiner

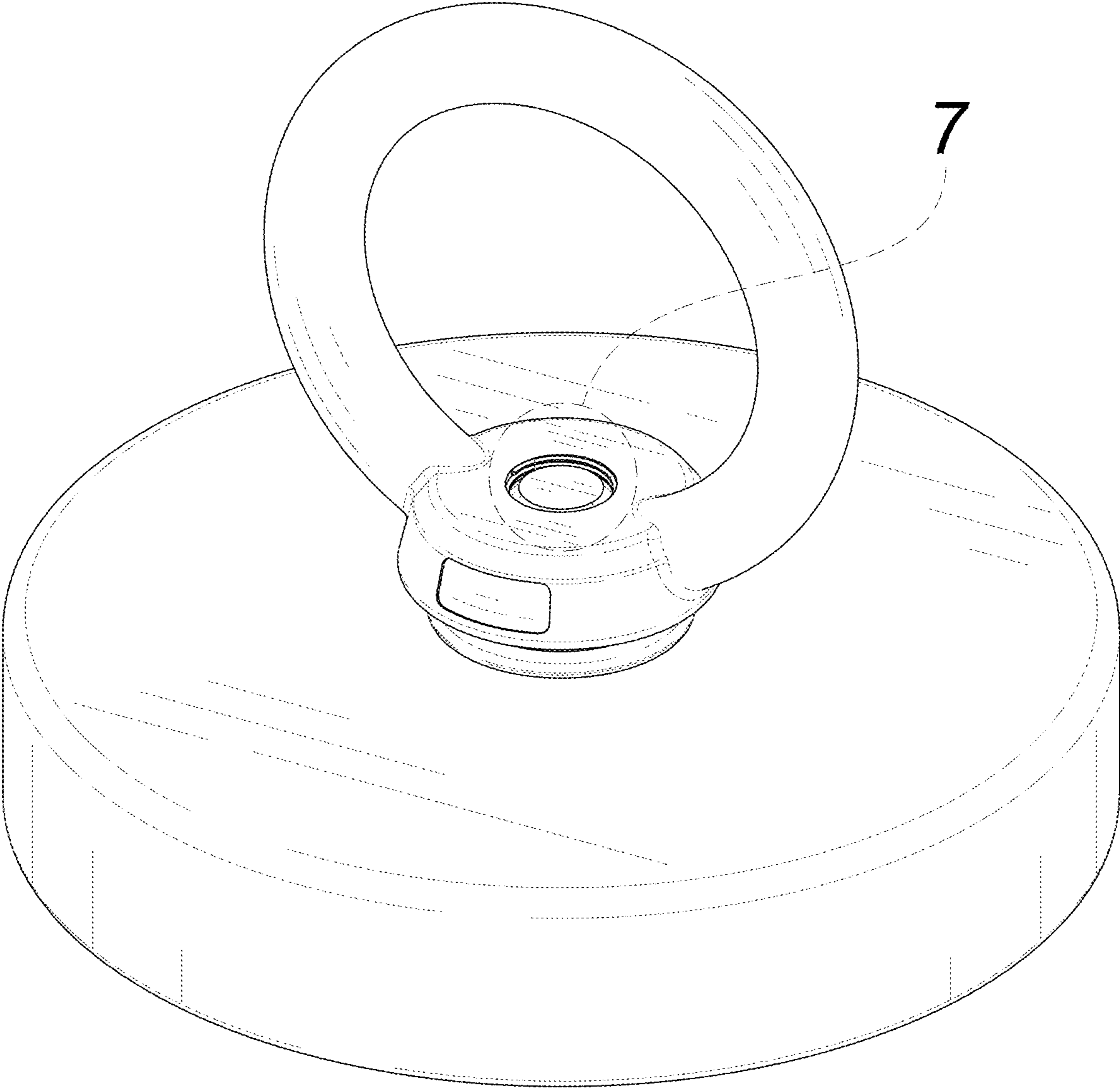


FIG. 1

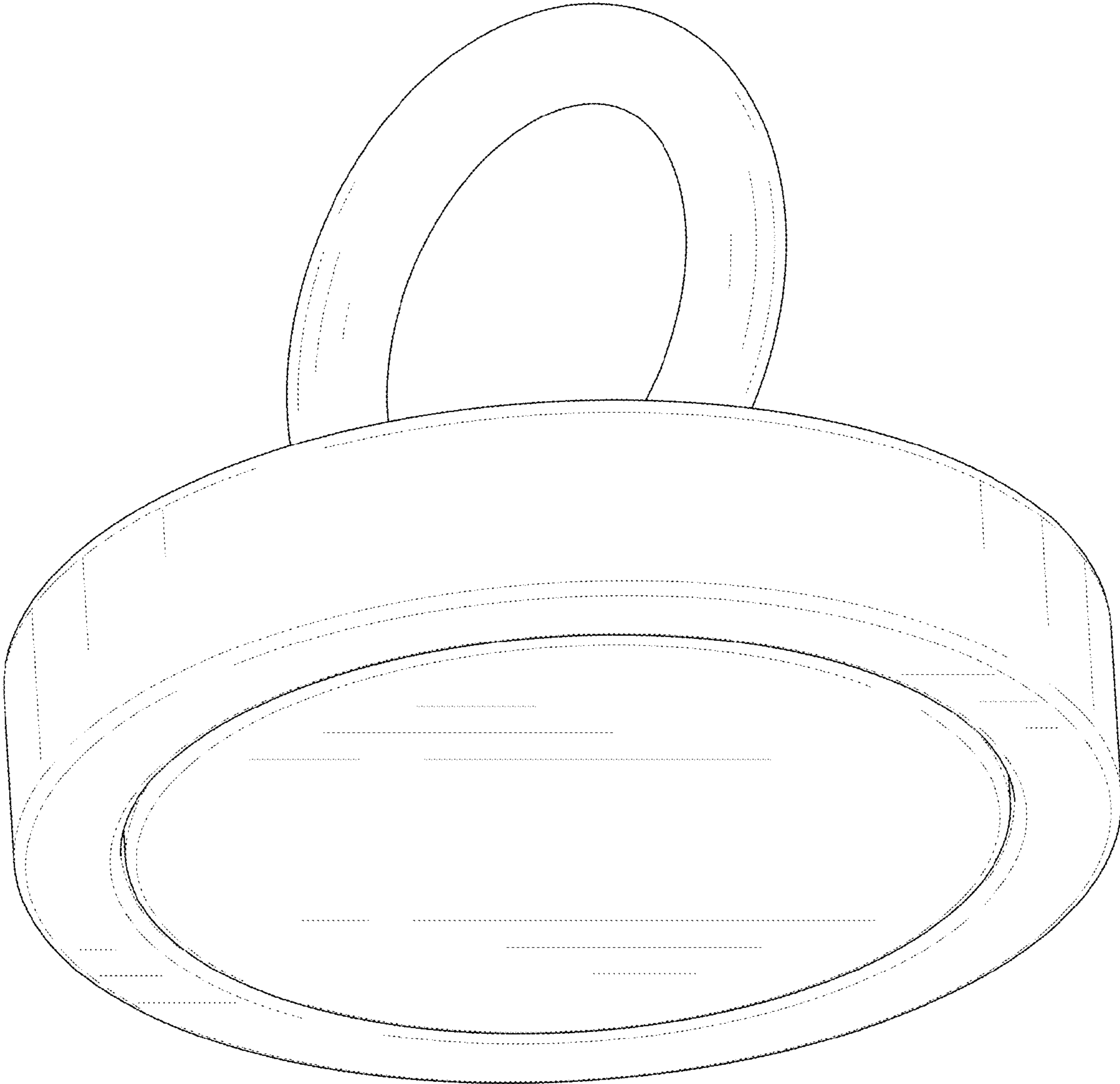


FIG. 2

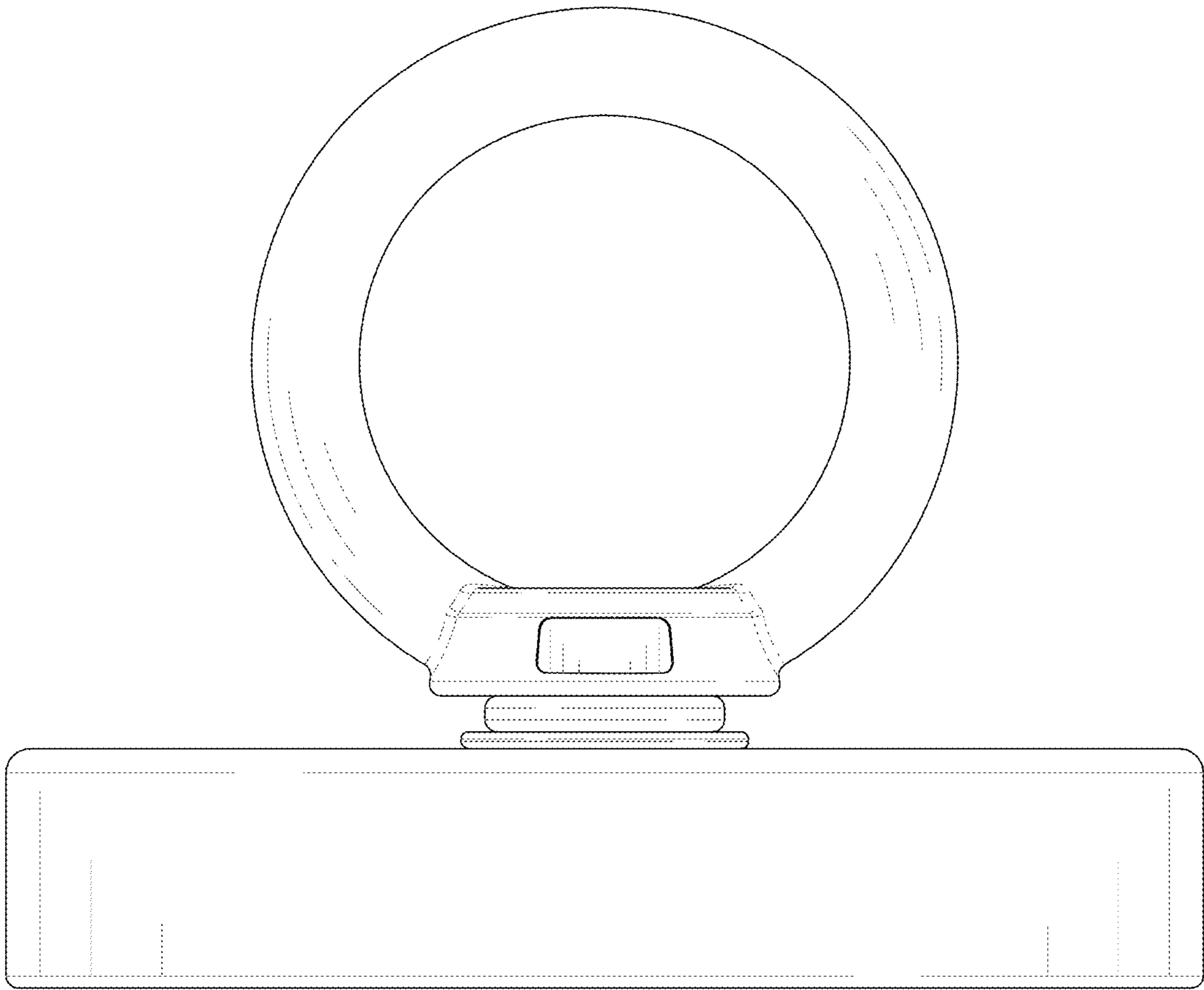


FIG. 3

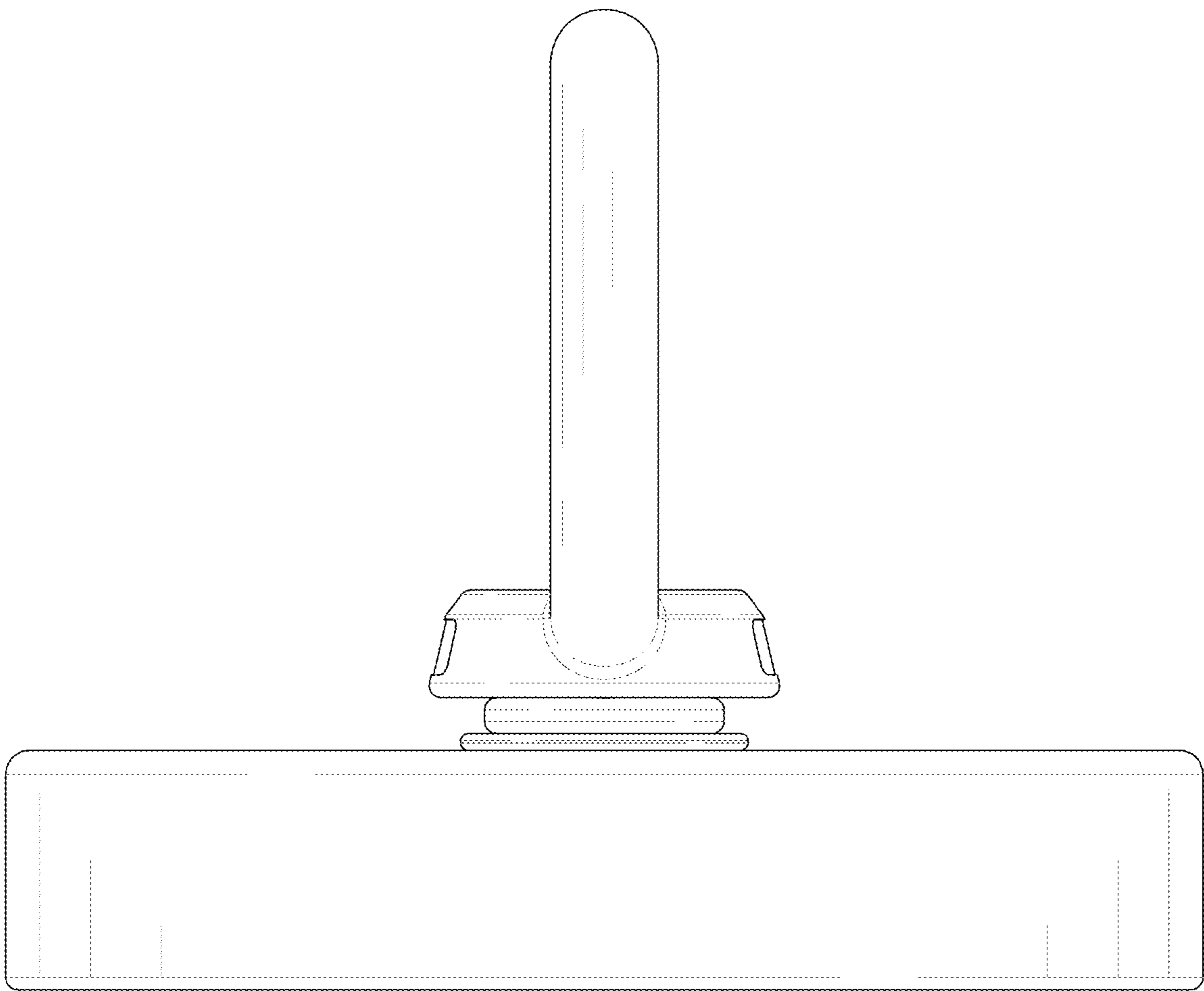


FIG. 4

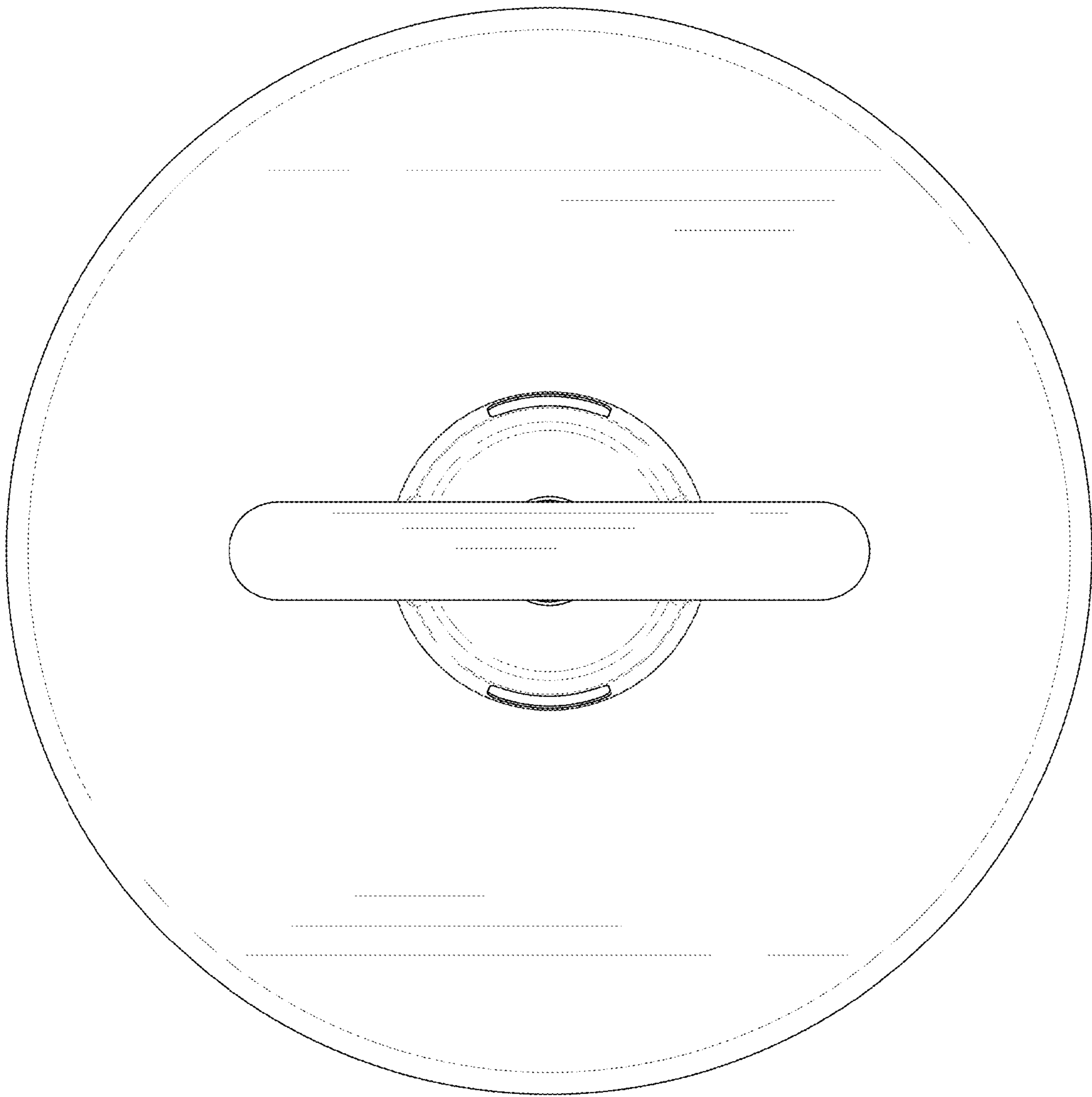


FIG. 5

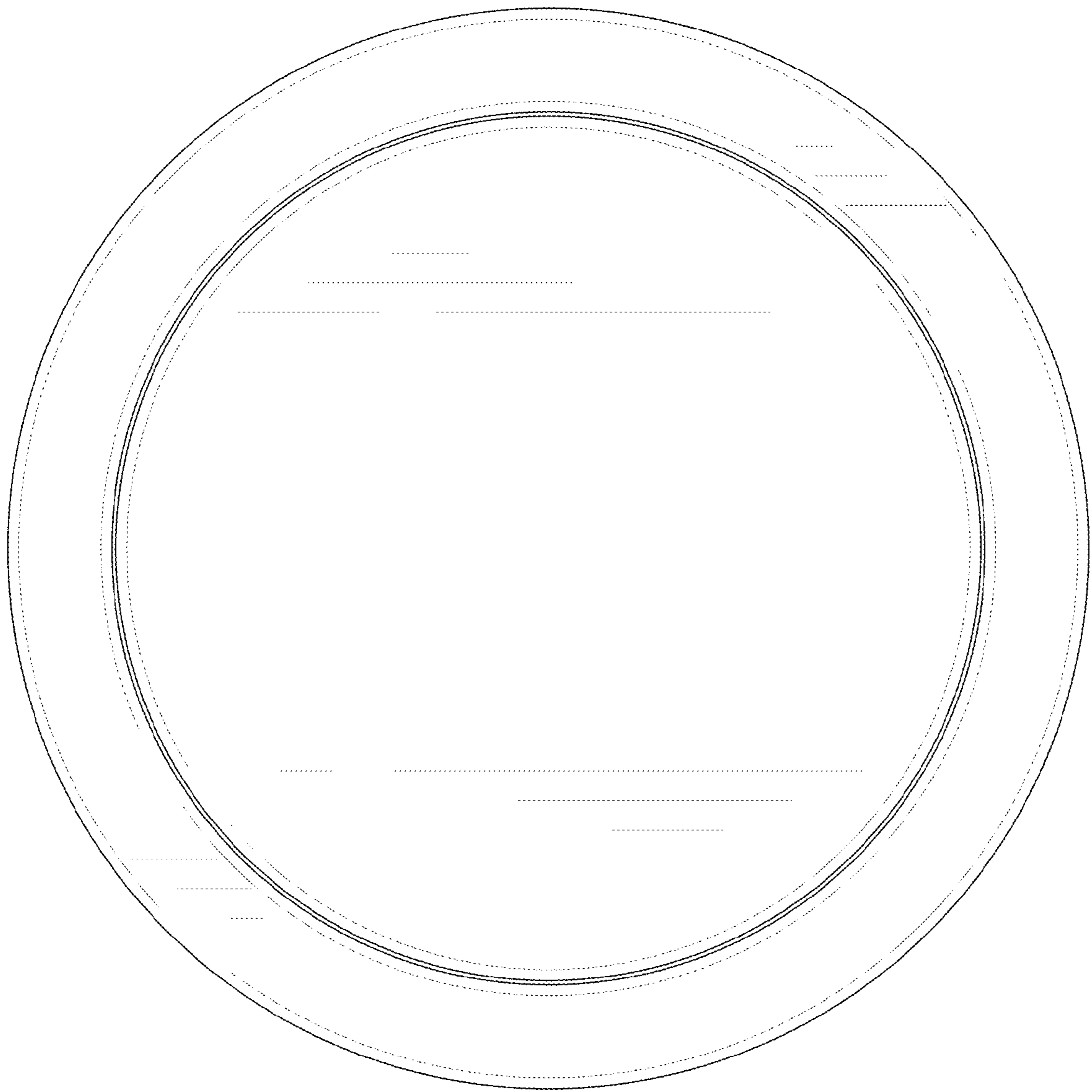


FIG. 6

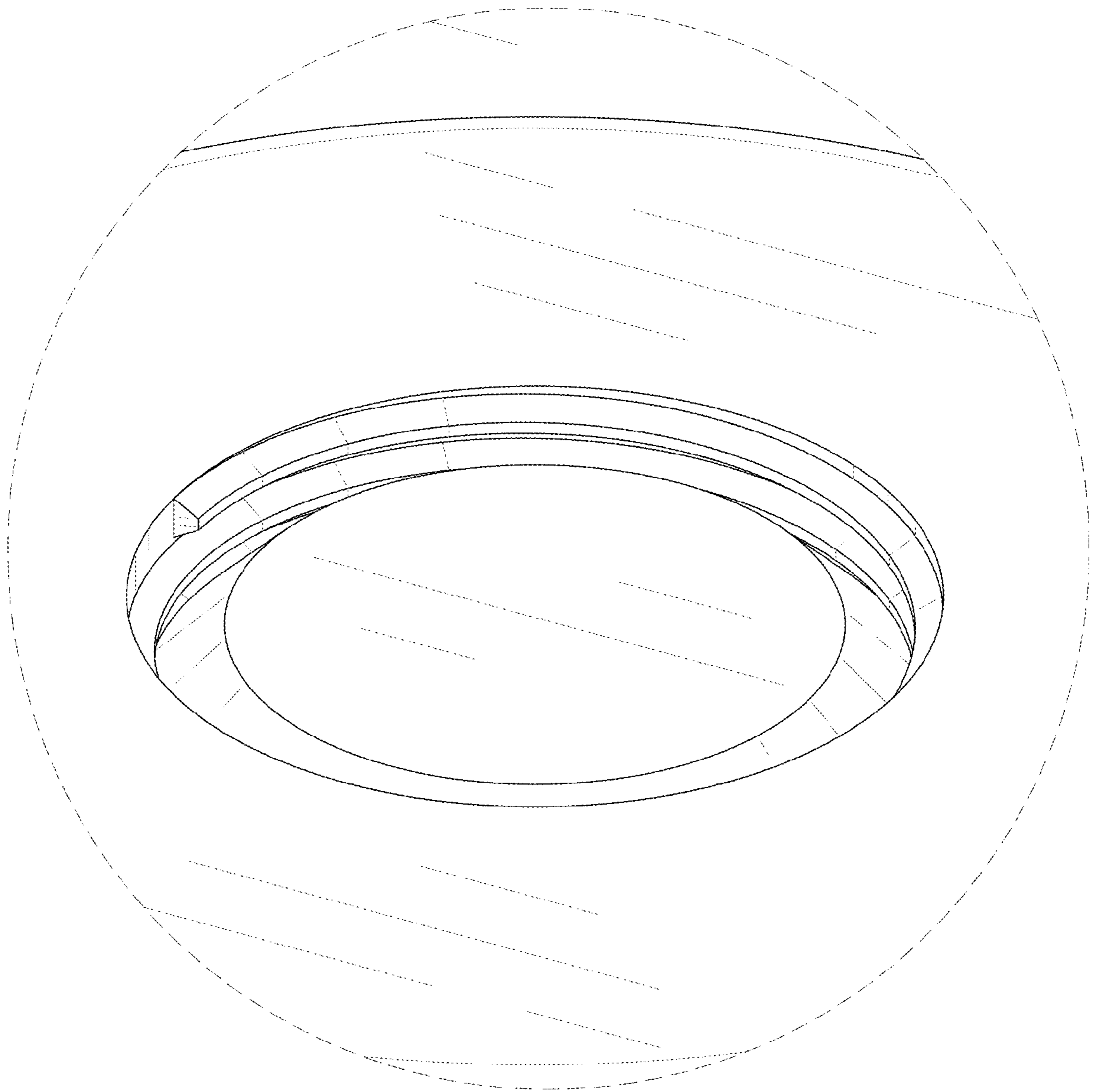


FIG. 7