



US00D985225S

(12) **United States Design Patent** (10) **Patent No.:** **US D985,225 S**
Elden (45) **Date of Patent:** **** May 2, 2023**

(54) **STAIR CLIMBING COLLAPSIBLE CART**
(71) Applicant: **Richard Elden**, Paramount, CA (US)
(72) Inventor: **Richard Elden**, Paramount, CA (US)
(**) Term: **15 Years**

2015/0360710 A1* 12/2015 Thompson A45C 13/262
280/10
2017/0001654 A1* 1/2017 O'Brien B62B 5/0013
2017/0120679 A1* 5/2017 Naiva B60B 33/0028
2017/0297601 A1* 10/2017 Carbonaro B62B 9/12
2018/0014502 A1* 1/2018 O'Shaughnessy ... A01K 27/003
2019/0216193 A1* 7/2019 Kabalin A45C 7/0077
(Continued)

(21) Appl. No.: **29/765,238**
(22) Filed: **Jan. 6, 2021**
(51) **LOC (14) Cl.** **12-02**
(52) **U.S. Cl.**
USPC **D34/25**
(58) **Field of Classification Search**
USPC D34/12, 13, 14, 15, 16, 17, 18, 19, 20,
D34/21, 22, 23, 24, 25, 26, 27
CPC .. B62B 1/002; B62B 1/12; B62B 1/18; B62B
1/20; B62B 1/10; B62B 2202/52; B62B
13/18
See application file for complete search history.

OTHER PUBLICATIONS

BedBathand Beyond.com May 31, 2022, Folding Crate Cart in Grey, <https://www.bedbathandbeyond.com/store/product/folding-crate-cart-in-grey/5336631> (Year: 2022).*
(Continued)

Primary Examiner — Cynthia Ramirez
(74) *Attorney, Agent, or Firm* — Orbit IP, LLP

(57) **CLAIM**

The ornamental design for a stair climbing collapsible cart, as shown and described.

DESCRIPTION

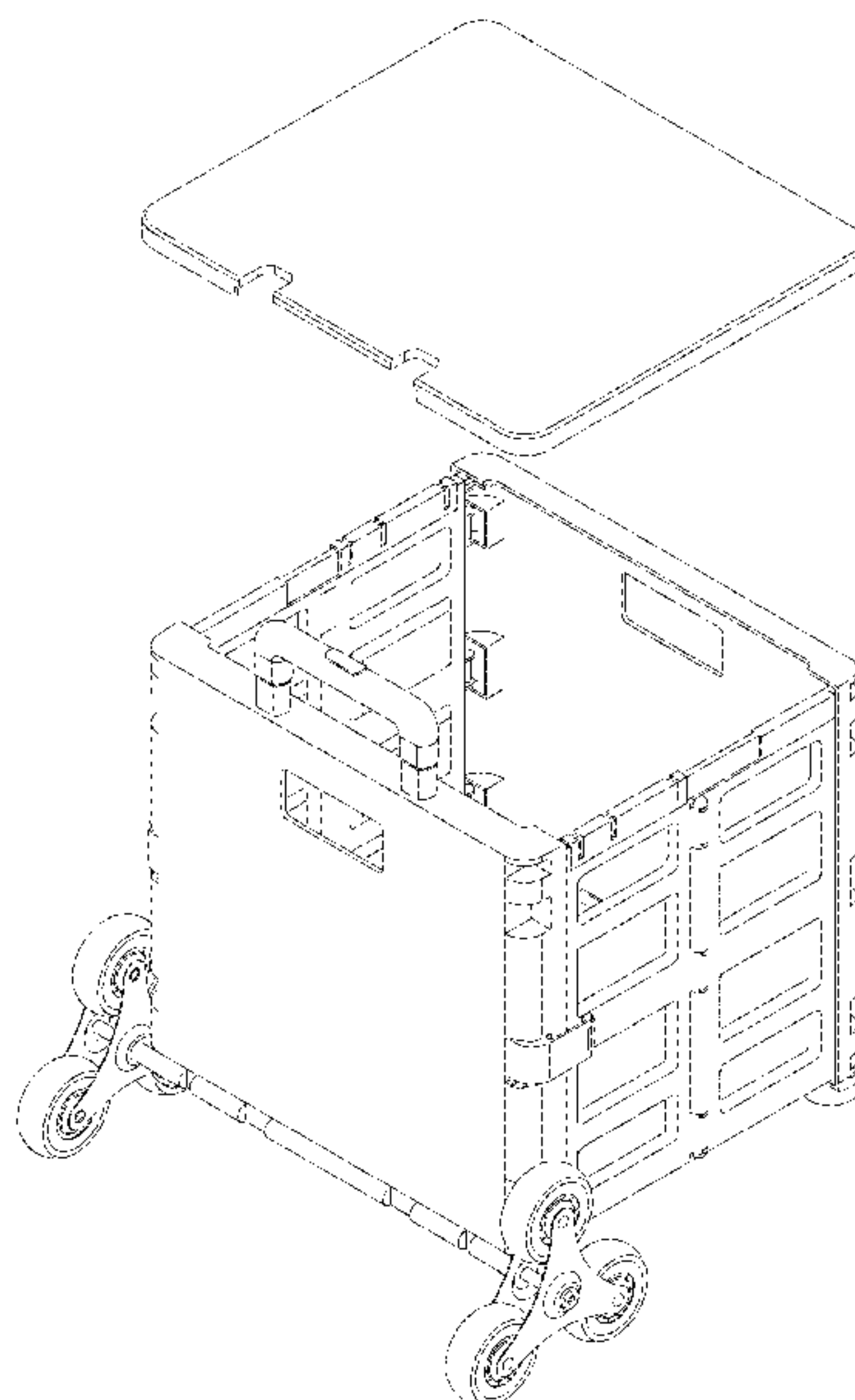
FIG. 1 is a perspective view of a stair climbing collapsible cart showing my new design in an open condition;
FIG. 2 is a right side view thereof;
FIG. 3 is a left side view thereof;
FIG. 4 is a front plan view thereof;
FIG. 5 is a rear plan view thereof;
FIG. 6 is a top view thereof;
FIG. 7 is a bottom view thereof;
FIG. 8 is a perspective view thereof showing my new design with the sidewalls folded inwardly; and,
FIG. 9 is a perspective view thereof showing my new design in a collapsed position.
The broken lines in the figures show portions of the stair climbing collapsible cart which form no part of the claimed design.

(56) **References Cited**

U.S. PATENT DOCUMENTS

6,431,580 B1* 8/2002 Kady B62B 1/125
280/655
D525,758 S * 7/2006 Lynch D34/12
D545,025 S * 6/2007 Elden D34/25
D565,269 S * 3/2008 Tomasiak D34/12
D642,764 S * 8/2011 Elden D34/24
D690,893 S * 10/2013 O'Brien D34/25
8,915,504 B1* 12/2014 Seibert B62B 3/005
280/47.35
D723,237 S * 2/2015 Maddux D34/12
10,588,388 B2* 3/2020 Kabalin B65D 81/3813
D904,716 S * 12/2020 Shen D34/19
D932,186 S * 10/2021 Brunner D3/294
D942,107 S * 1/2022 Ren D34/24
11,338,835 B2* 5/2022 Elden B62B 5/0013
2004/0075248 A1* 4/2004 Elden B62B 1/12
280/651

1 Claim, 9 Drawing Sheets



(56)

References Cited

U.S. PATENT DOCUMENTS

2019/0322302 A1* 10/2019 Greenup B62B 3/02
2021/0206414 A1* 7/2021 Elden B62B 3/025

OTHER PUBLICATIONS

Globalindustrial.com May 31, 2022, Olympia Tools Grand Pack-N-Roll, <https://www.globalindustrial.com/p/pack-n-roll-grand-rolling-folding-crate-cart-85-010> (Year: 2022).*

Amazon.com May 31, 2022, Foldable Utility Cart Portable Rolling Crate Handcart Shopping Trolley Collapsible, <https://www.amazon.com/Portable-Handcart-Telescoping-Collapsible-Shopping/dp/B08HT17X39> (Year: 2022).*

ebay.com May 31, 2022, Dbest Products Quik Cart Elite Stair Climber wheeled rolling crate, <https://www.ebay.com/itm/394062298897> (Year: 2022).*

Website: Mar. 9, 2023, 12:17 PM Amazon.com: Olympia Tool 85-010 Grand Pack-N-Roll Portable Tool Carrier, Black: Home Improvement; The Wayback Machine—<https://web.archive.org/web/20150727103951/http://www.amazon.com:80/Olympia-85-010-Pack-N-Roll-Portable-Carrier/dp/B000UZ0P7I>.

Website: Mar. 9, 2023, 12:17 PM Olympia Tools 85-015 Grand Folding Storage Rolling Cart with Telescopic Handle for Easy Transportation, Weight Capacity upto 150 Pounds :

* cited by examiner

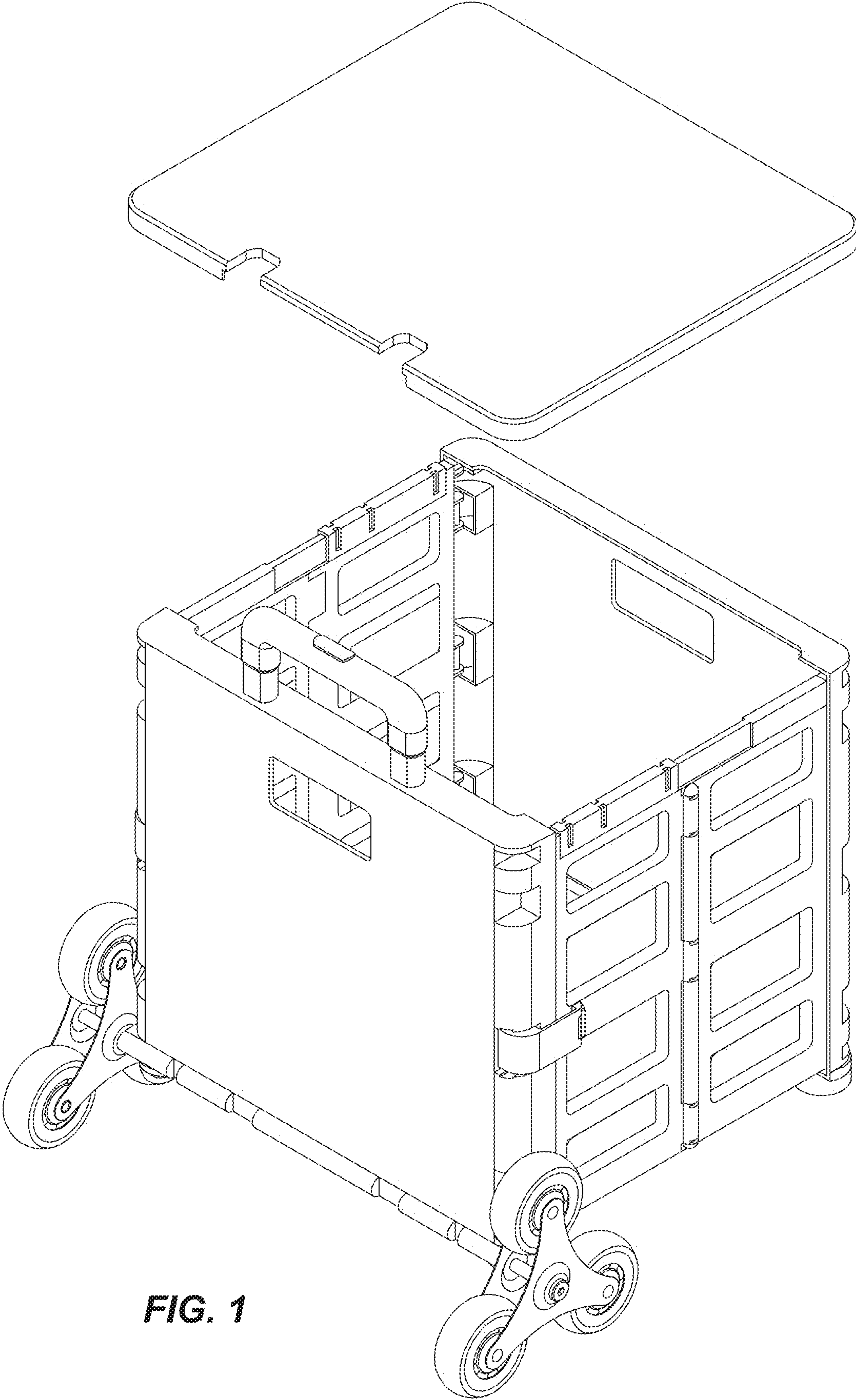


FIG. 1

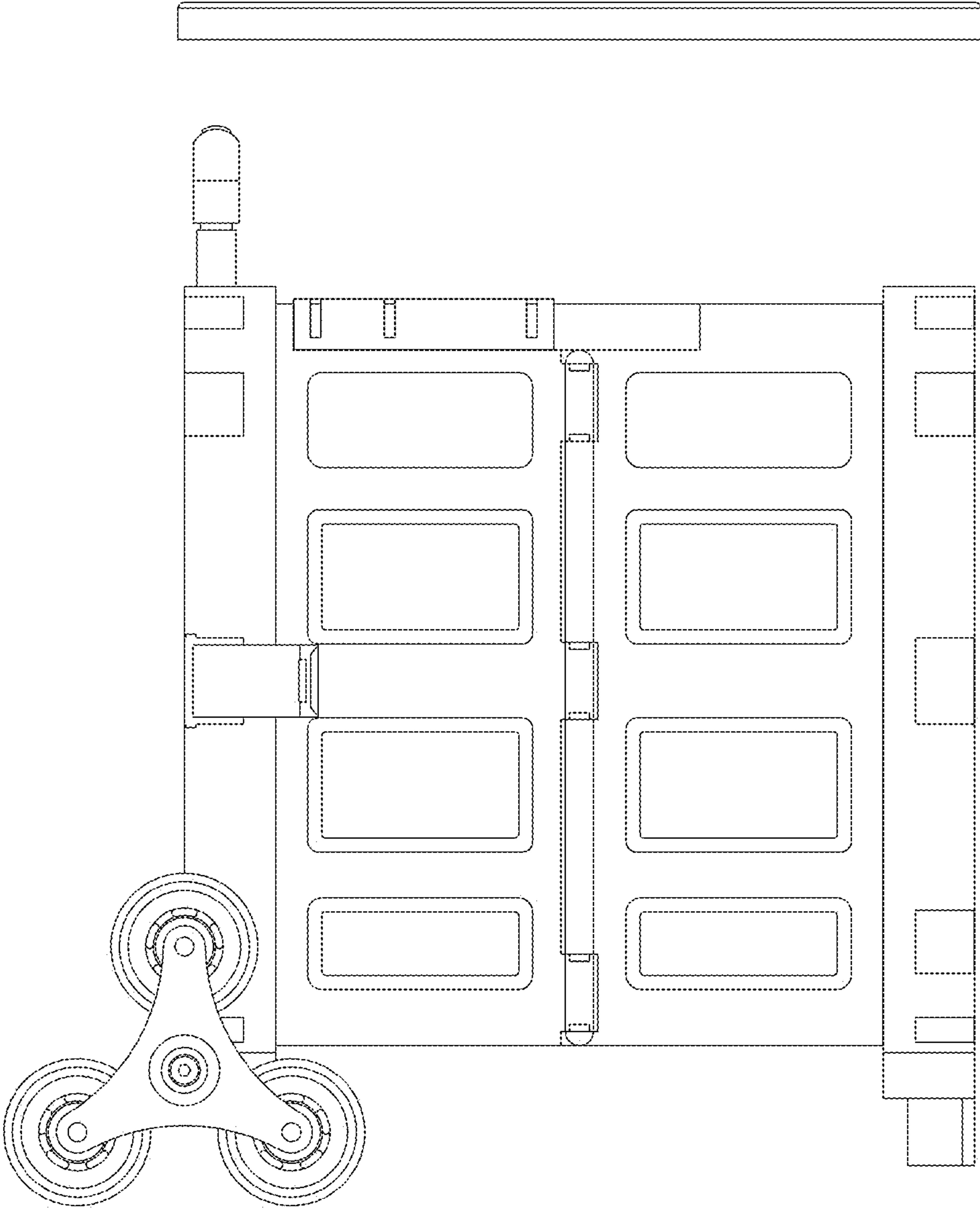


FIG. 2

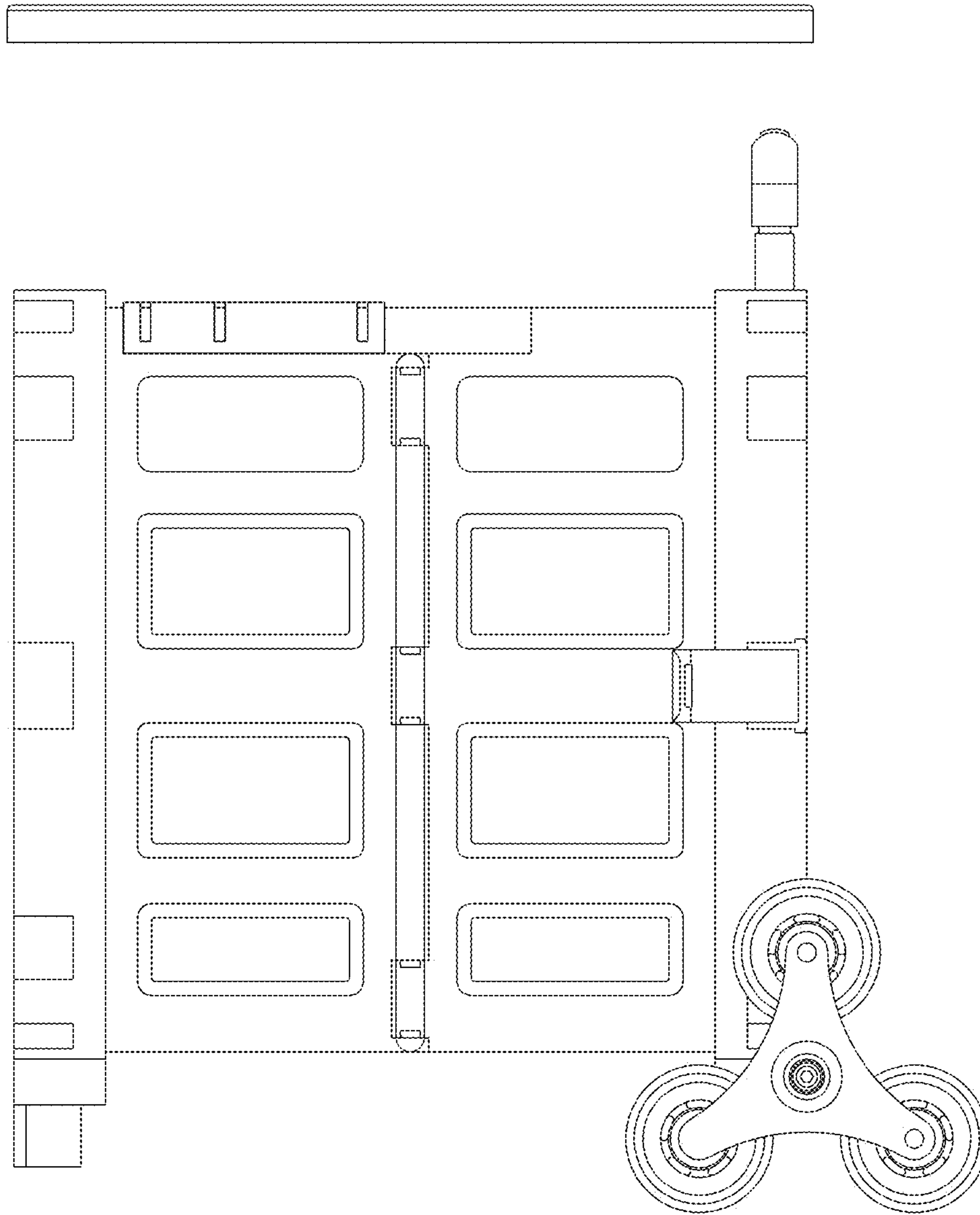


FIG. 3

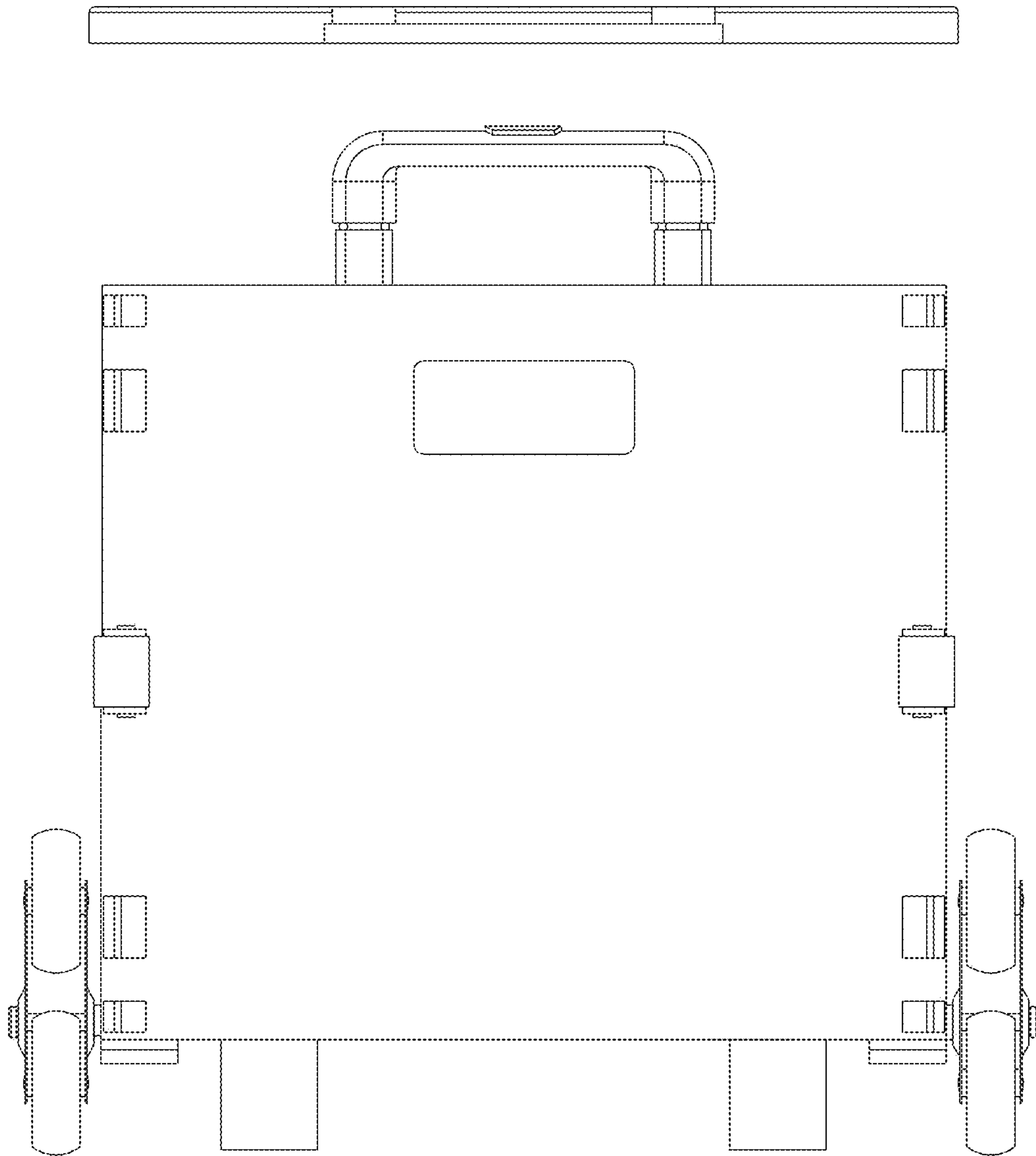


FIG. 4

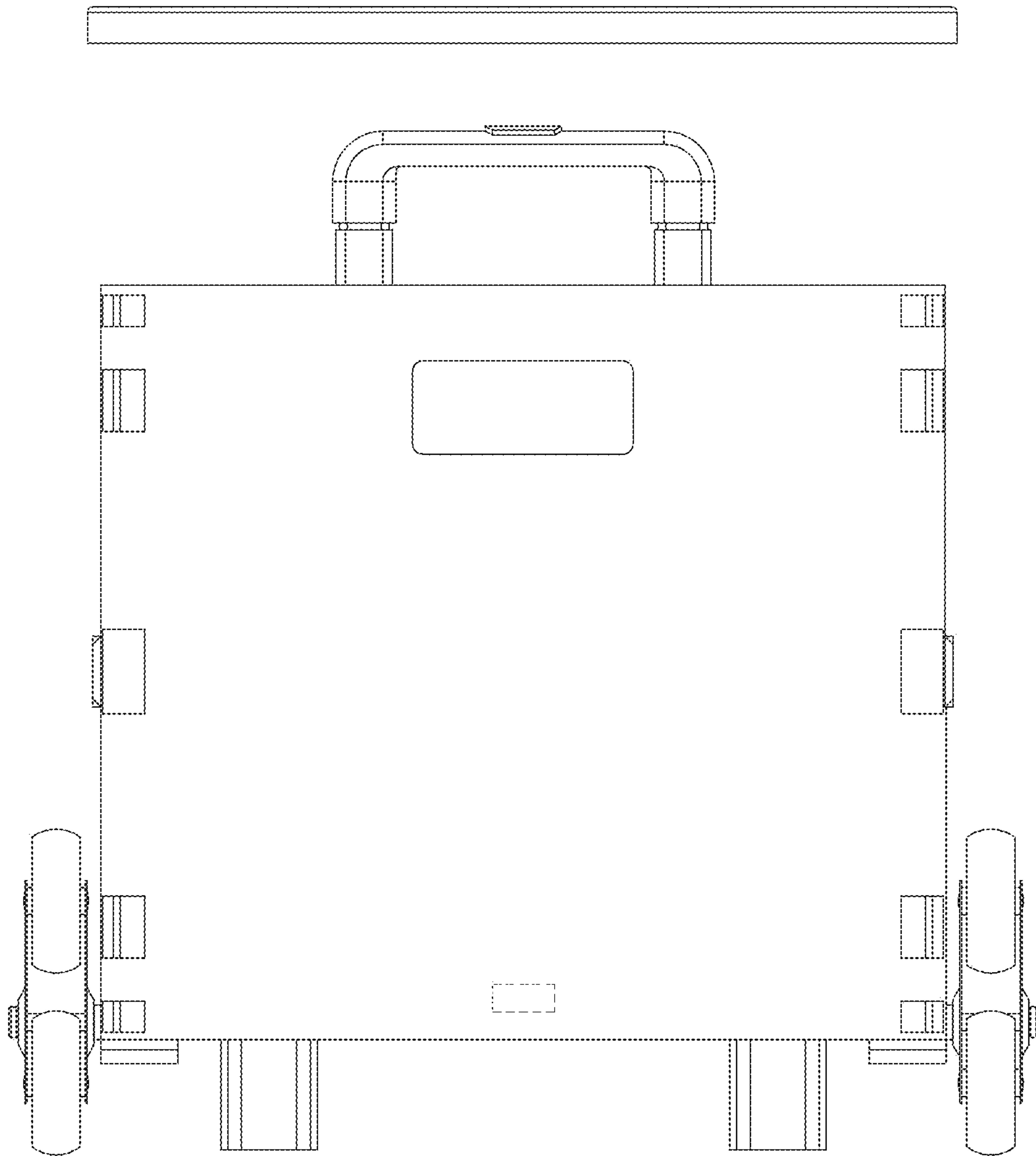


FIG. 5

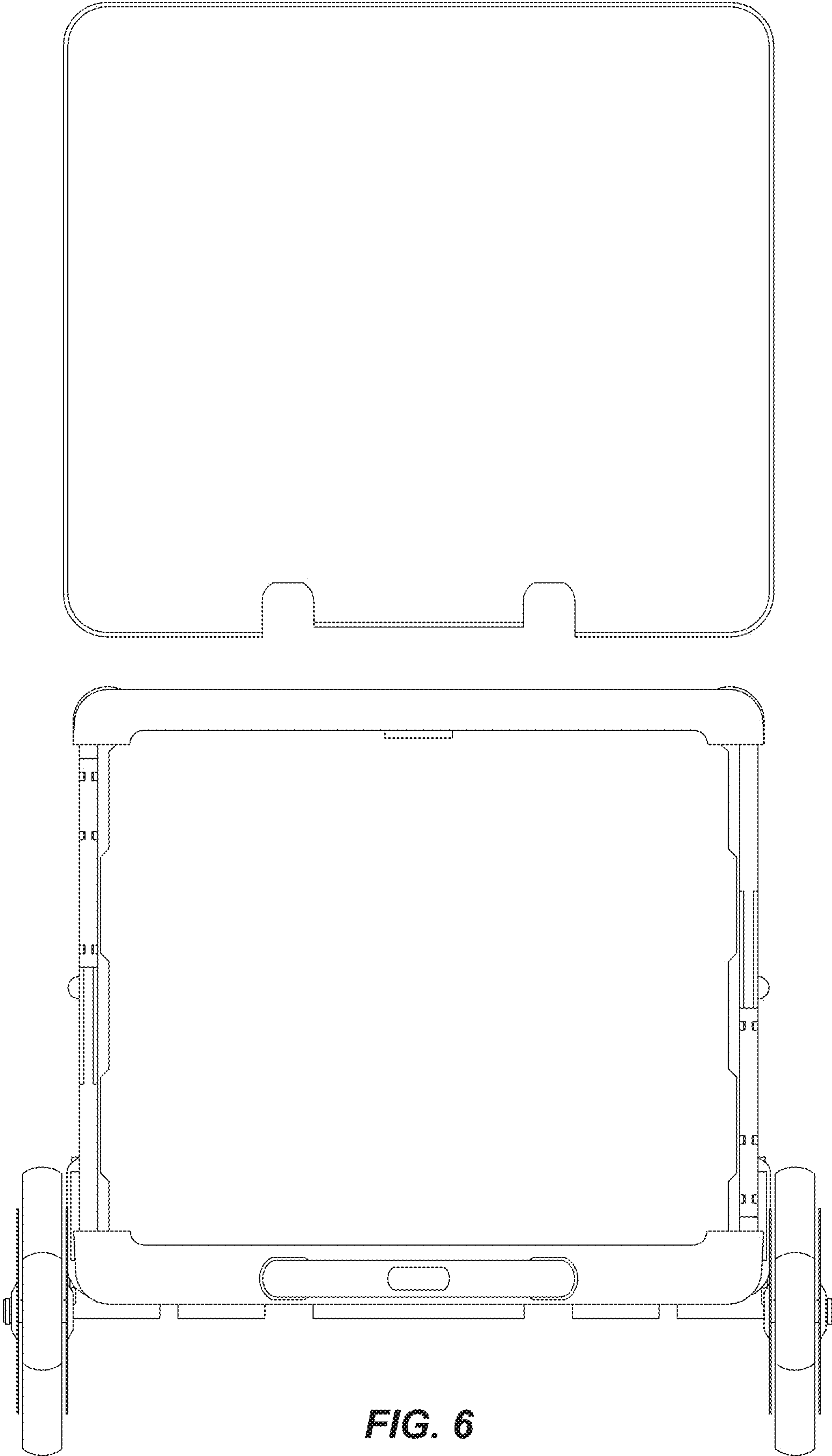


FIG. 6

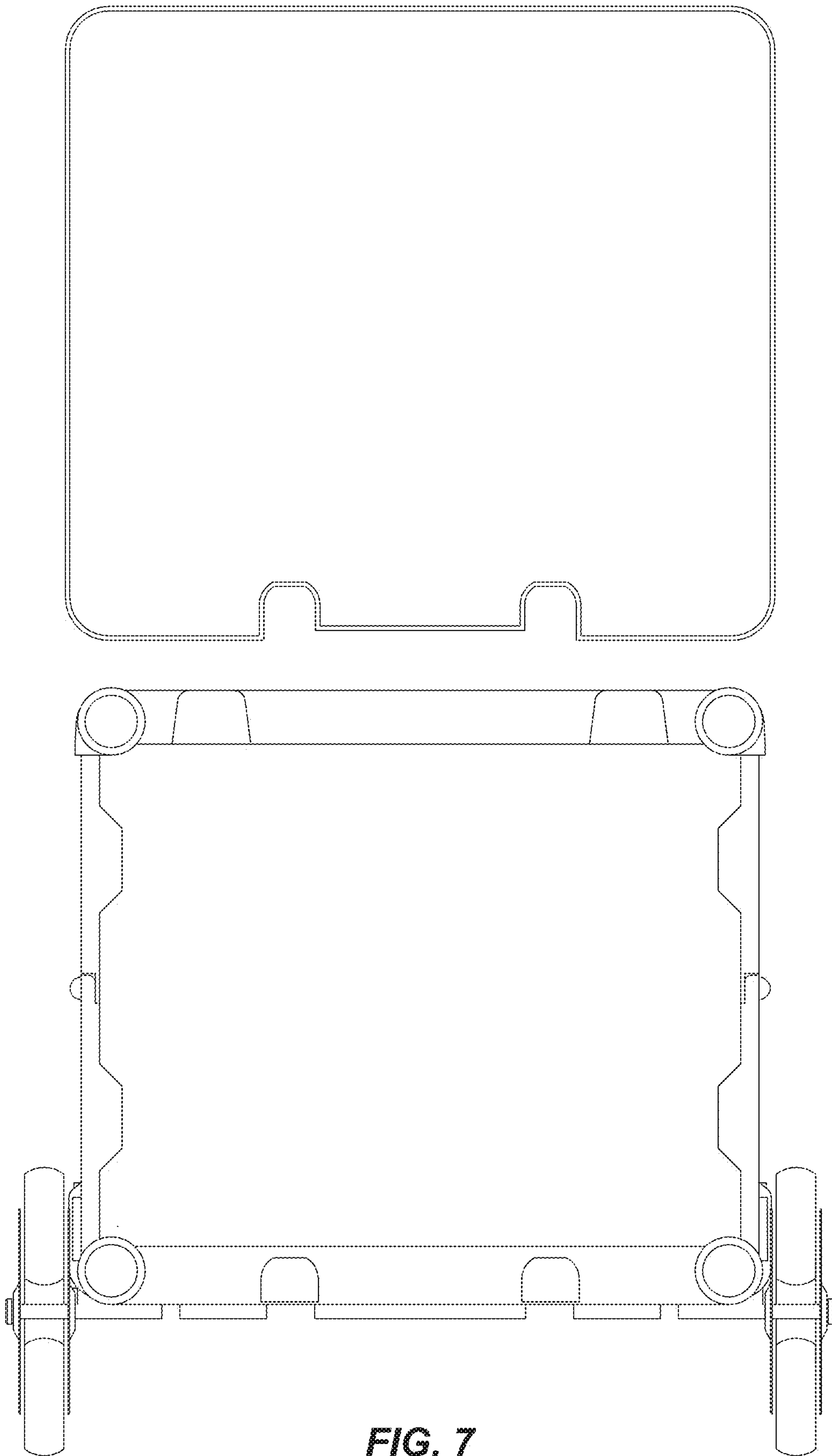


FIG. 7

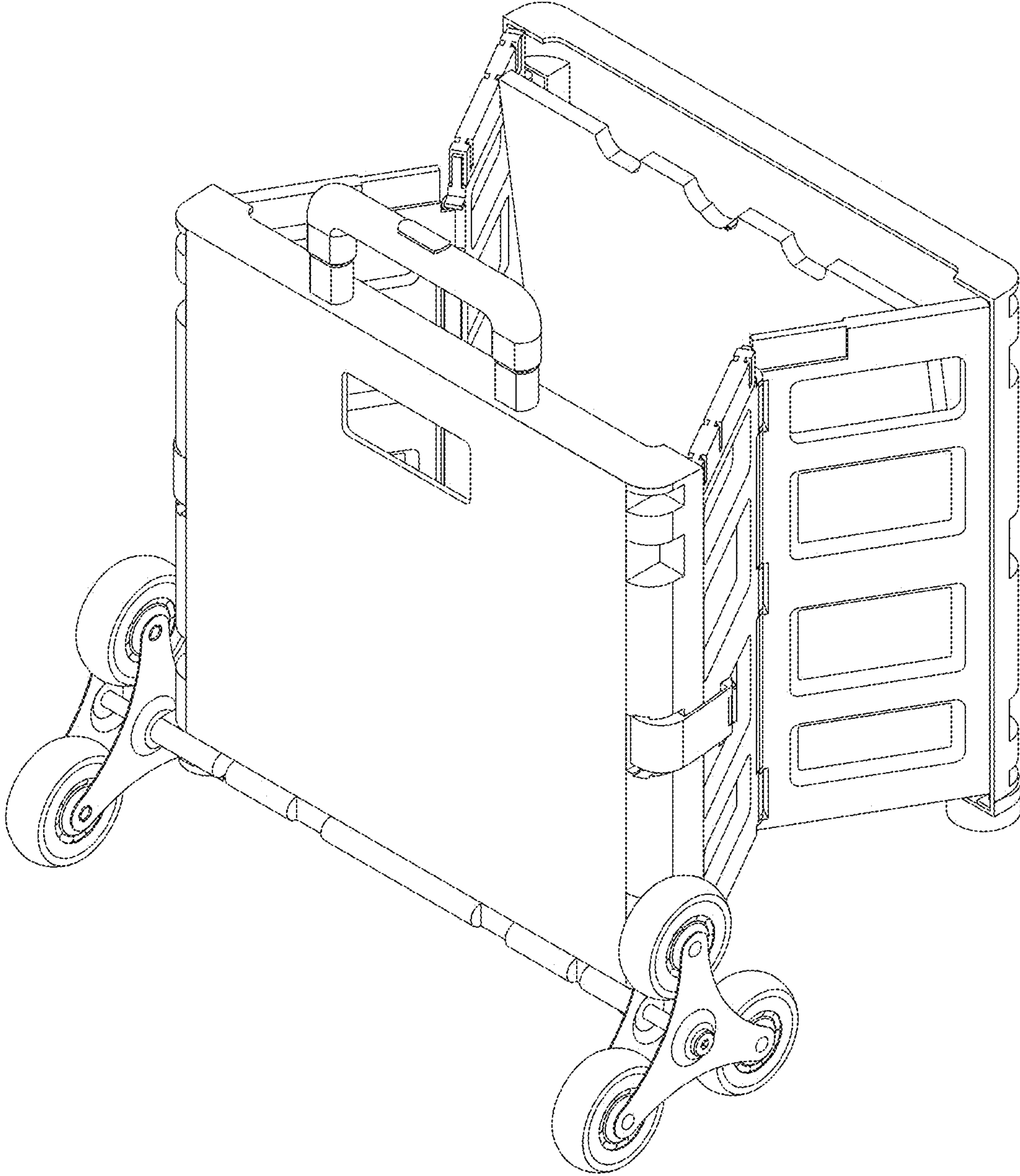


FIG. 8

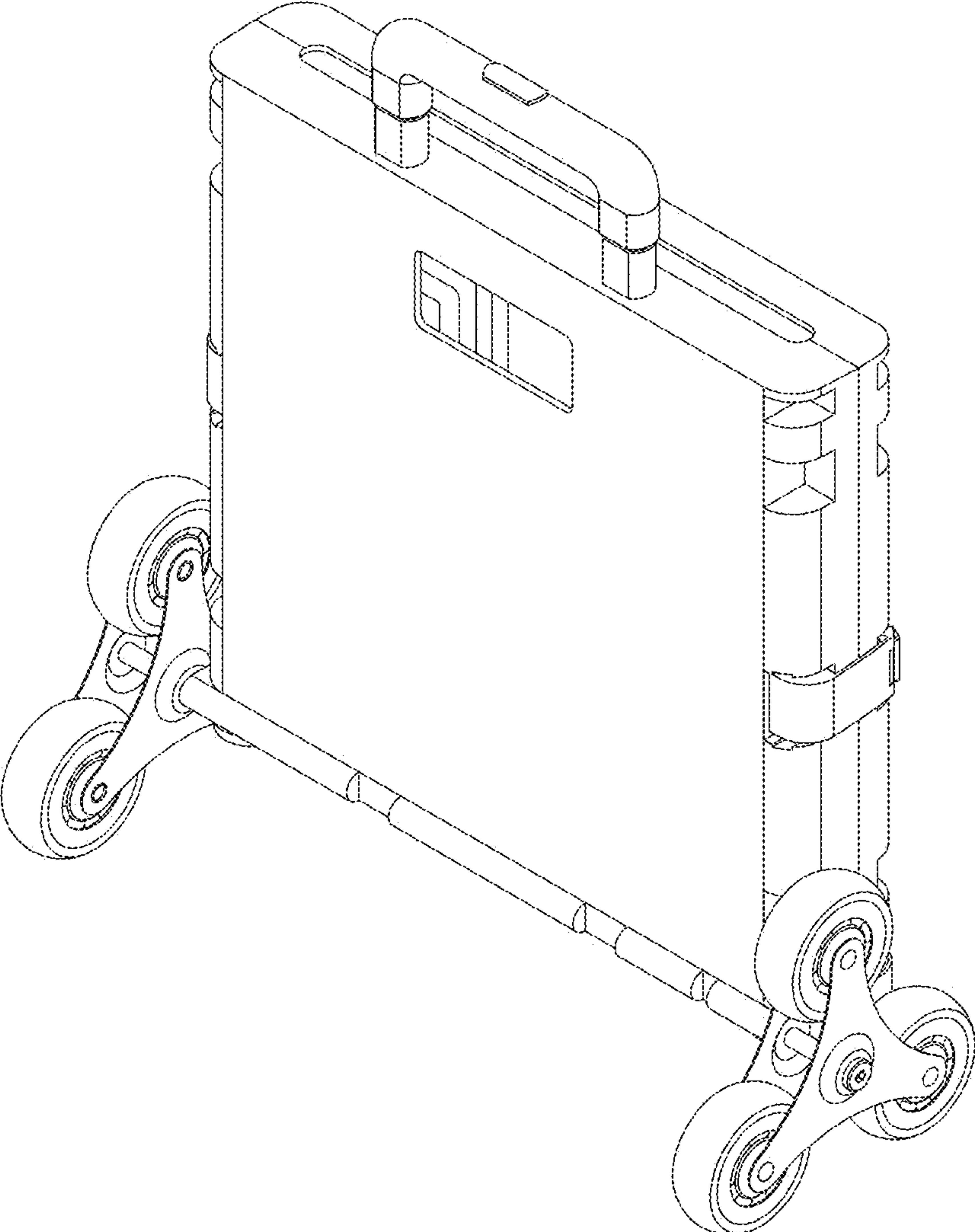


FIG. 9