



US00D985223S

(12) **United States Design Patent** (10) **Patent No.:** **US D985,223 S**
Huang et al. (45) **Date of Patent:** **** May 2, 2023**

(54) **MULTIFUNCTIONAL BUCKET**
(71) Applicant: **NINGBO KUER PLASTIC TECHNOLOGY CO., LTD.**, Ningbo (CN)
(72) Inventors: **Shengli Huang**, Nanyang (CN); **Saijun Luo**, Ningbo (CN); **Jinjin Wang**, Cixi (CN)
(73) Assignee: **NINGBO KUER PLASTIC TECHNOLOGY CO., LTD.**, Zhejiang Province (CN)
(**) Term: **15 Years**
(21) Appl. No.: **29/746,369**
(22) Filed: **Aug. 13, 2020**
(51) **LOC (14) Cl.** **07-10**
(52) **U.S. Cl.**
USPC **D7/608**
(58) **Field of Classification Search**
USPC D3/289, 301; D7/603-605, 608; D32/40-42, 50-52, 54
CPC B65D 25/48; B65D 81/38; B65D 47/06; B65D 81/3813; B65D 43/164; B65D 53/02; B65D 25/24; B67D 1/00
See application file for complete search history.

2007/0131716 A1* 6/2007 Prabucki B67D 3/0009 222/146.6
2007/0187435 A1* 8/2007 Quirk B67D 3/0083 222/481
2009/0241584 A1* 10/2009 Hayes B67D 3/0009 222/1

(Continued)

FOREIGN PATENT DOCUMENTS

CN 208979517 U * 6/2019
CN 208979518 U * 6/2019

(Continued)

OTHER PUBLICATIONS

outdoor.en.made-in-china.com Outdoor Kuer Plastic Ice Bucket
<https://kueroutdoor.en.made-in-china.com/product/dOWTAZgXSPVS/China-Outdoor-Kuer-Plastic-Ice-Bucket-for-Car-Boat-Travel.html> (Year: 2022).*

Primary Examiner — Kevin K Rudzinski
Assistant Examiner — Richard E Yenchesky
(74) *Attorney, Agent, or Firm* — Birch, Stewart, Kolasch & Birch, LLP

(57) **CLAIM**

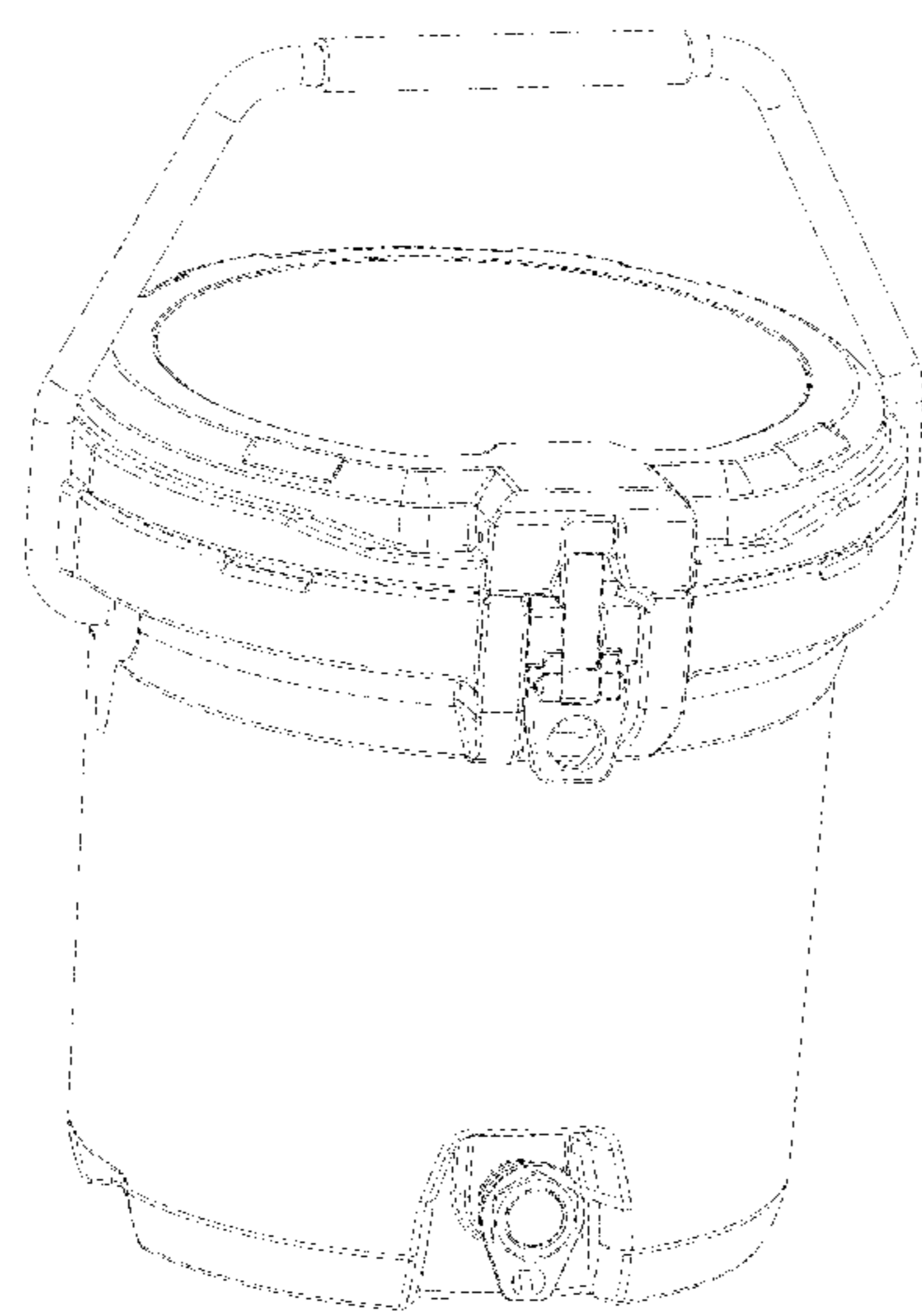
The ornamental design for a multifunctional bucket, as shown and described.

DESCRIPTION

FIG. 1 is a top, front, and left perspective view of a multifunctional bucket showing our new design;
FIG. 2 is a front view thereof;
FIG. 3 is a rear view thereof;
FIG. 4 is a left side view thereof;
FIG. 5 is a right side view thereof;
FIG. 6 is a top view thereof; and,
FIG. 7 is a bottom view thereof.
The broken lines shown represent portions of a multifunctional bucket that form no part of the claimed design.

1 Claim, 7 Drawing Sheets

(56) **References Cited**
U.S. PATENT DOCUMENTS
5,470,011 A * 11/1995 Jordan B67D 1/16 222/108
D542,535 S * 5/2007 Leung D3/315
D611,307 S * 3/2010 Begin et al.
D683,510 S * 5/2013 Schick D32/53
D871,008 S * 12/2019 Feng D32/53
D873,093 S * 1/2020 Carey D7/608
D920,614 S * 5/2021 Luburic D32/53
D930,441 S * 9/2021 Seiders D7/605
D963,414 S * 9/2022 Li D7/511



(56)

References Cited

U.S. PATENT DOCUMENTS

2011/0139672 A1* 6/2011 Burgess B65D 1/14
220/592.2
2017/0158412 A1* 6/2017 Seiders B65D 23/108
2017/0305605 A1* 10/2017 Sonntag B65D 81/3823
2017/0305638 A1* 10/2017 Sonntag B65D 25/2882
2021/0114772 A1* 4/2021 Seiders B65D 25/24
2022/0097924 A1* 3/2022 Bontrager B65D 85/36
2022/0234795 A1* 7/2022 Auerbach A47J 42/34
2022/0297921 A1* 9/2022 White B65D 88/16

FOREIGN PATENT DOCUMENTS

CN 306357254 * 3/2021
CN 213084099 U * 4/2021
JP 2012165994 A * 9/2012

* cited by examiner

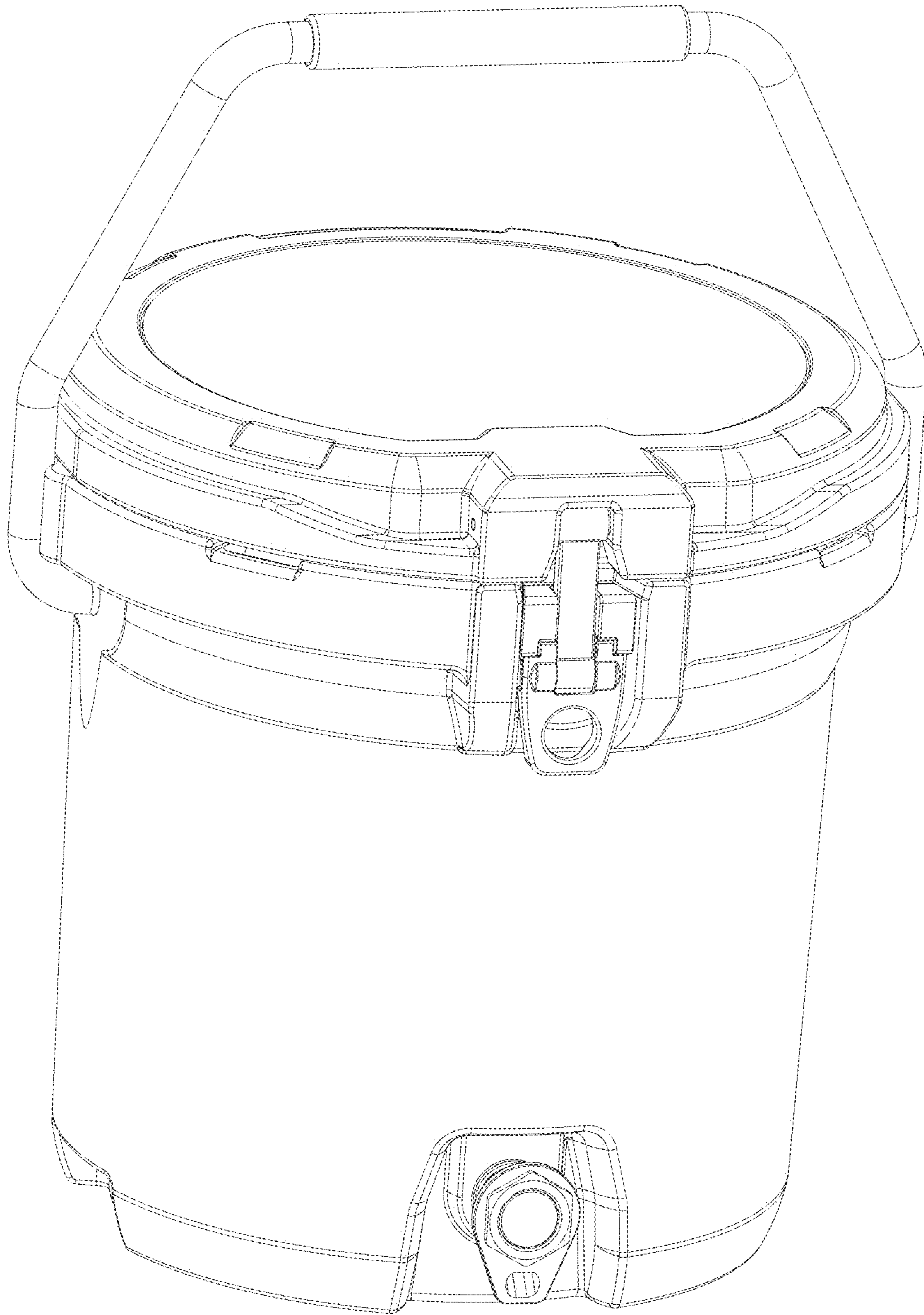


Fig. 1

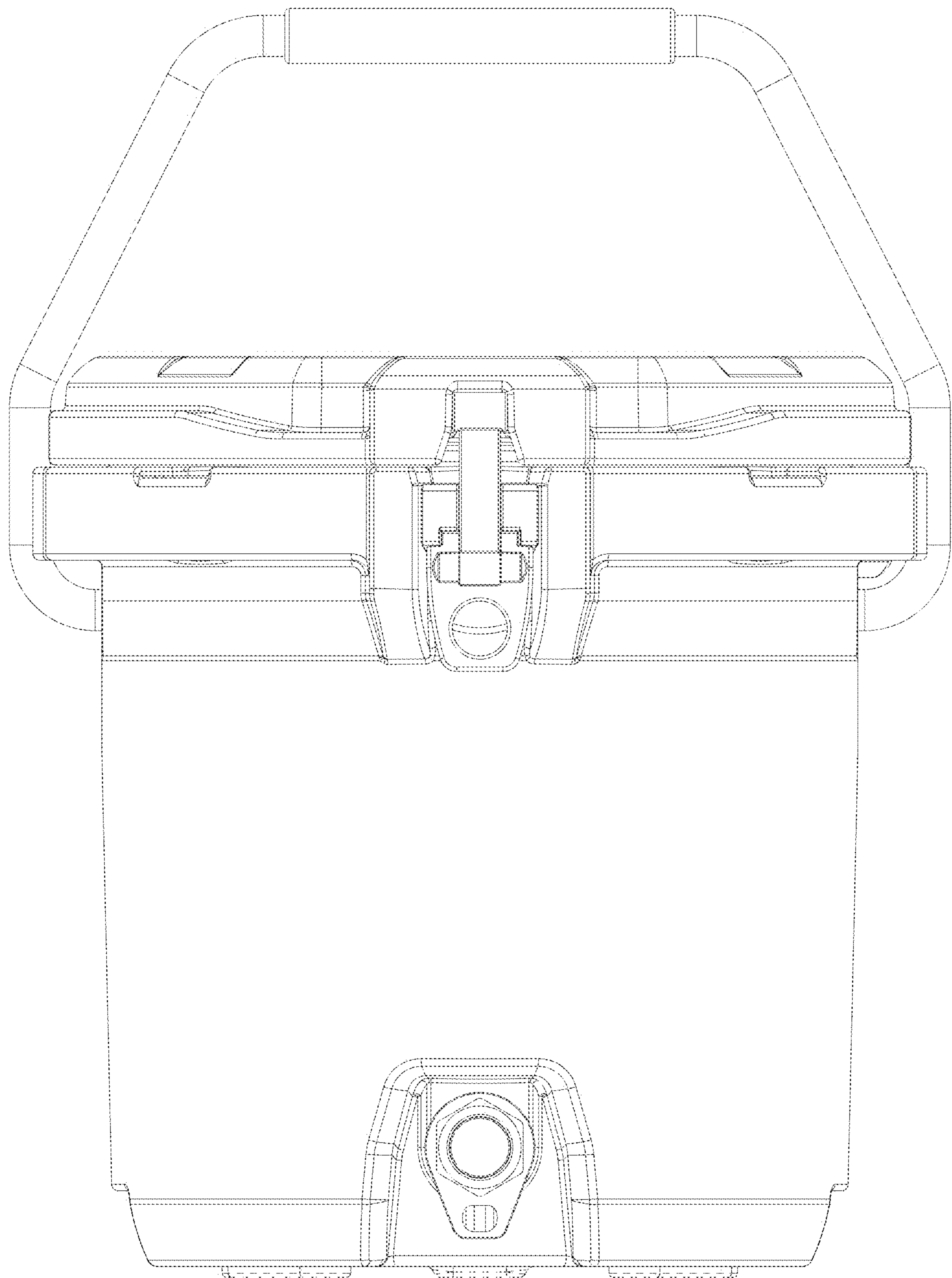


Fig.2

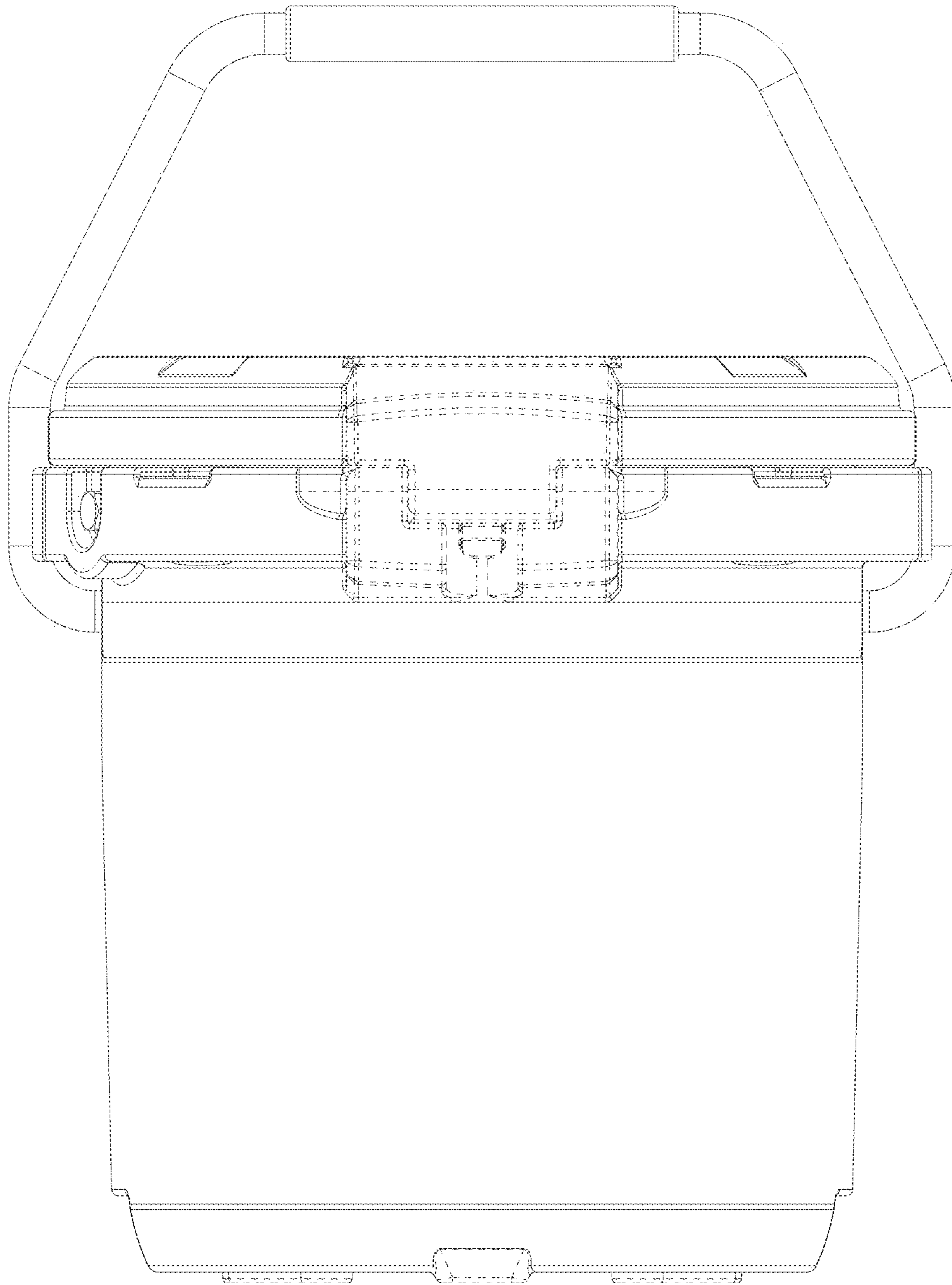


Fig.3

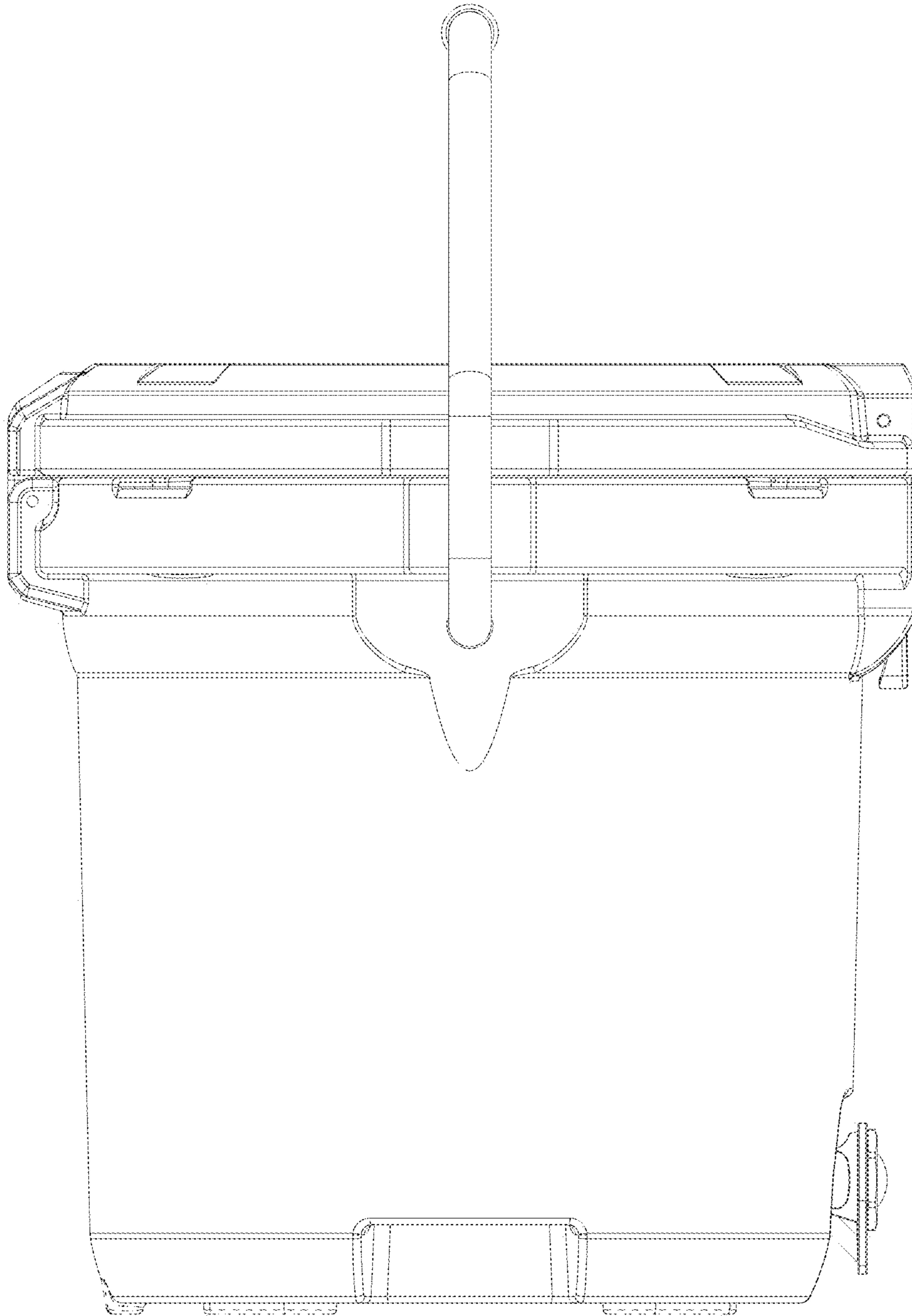


Fig.4

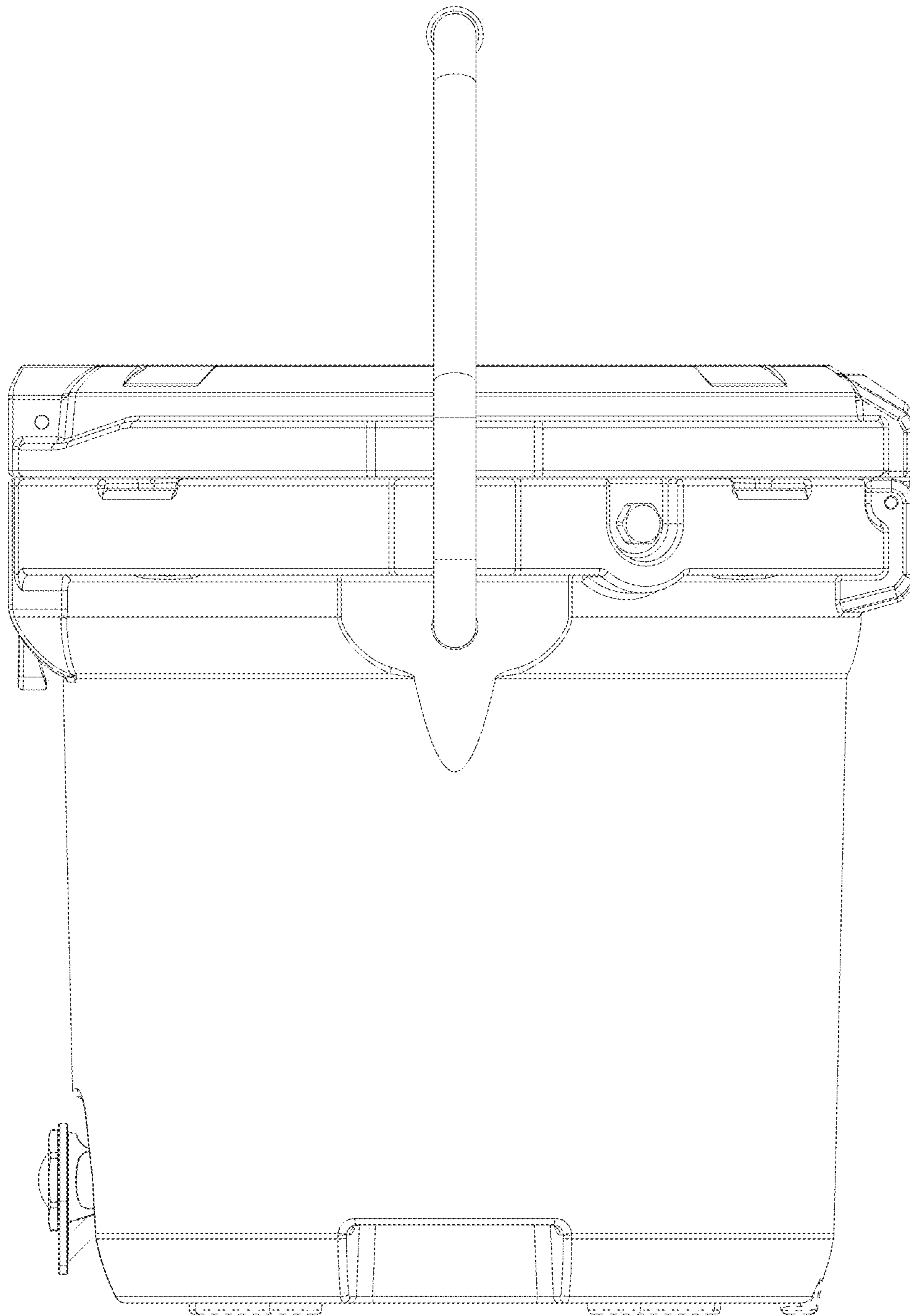


Fig.5

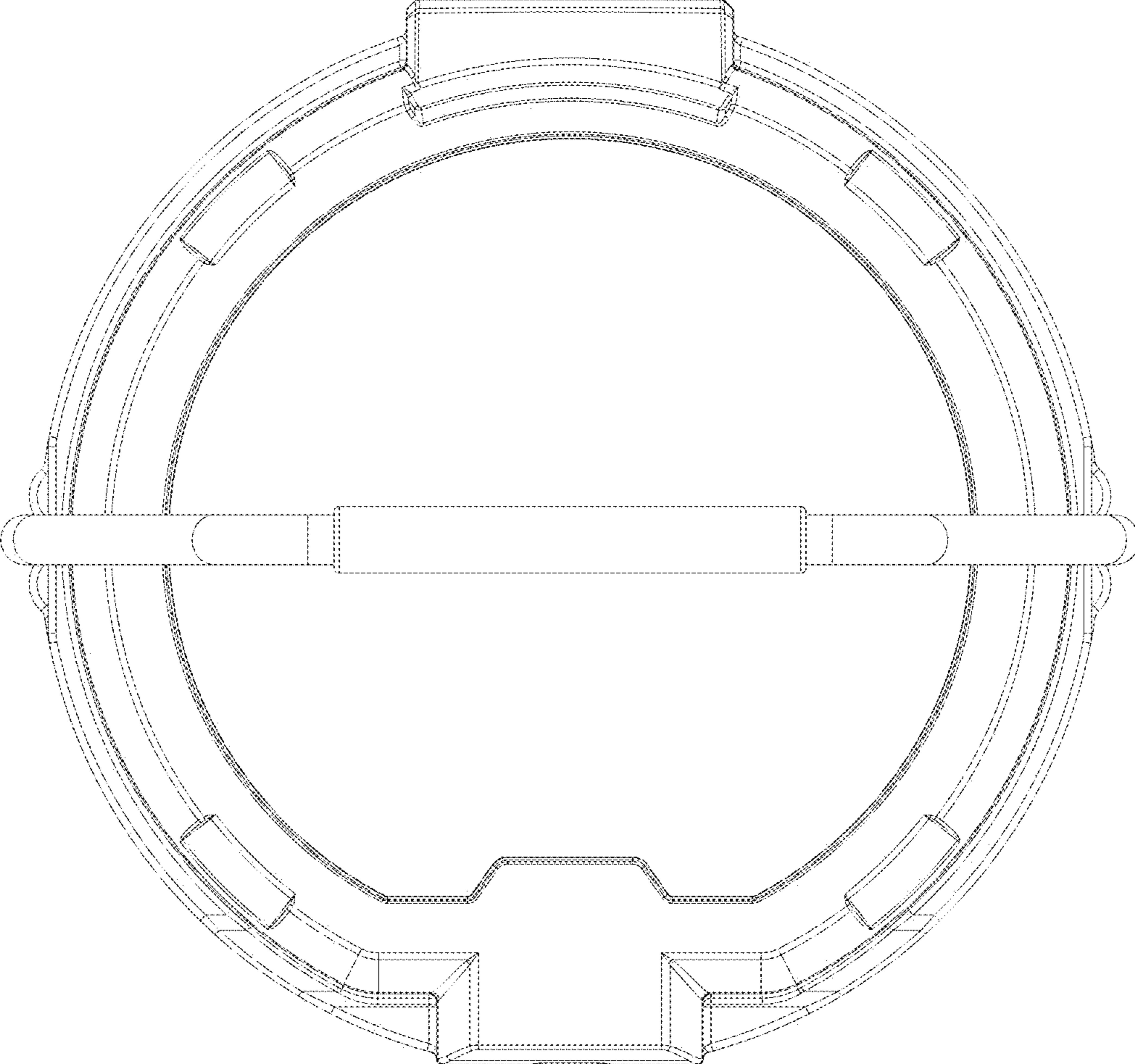


Fig.6

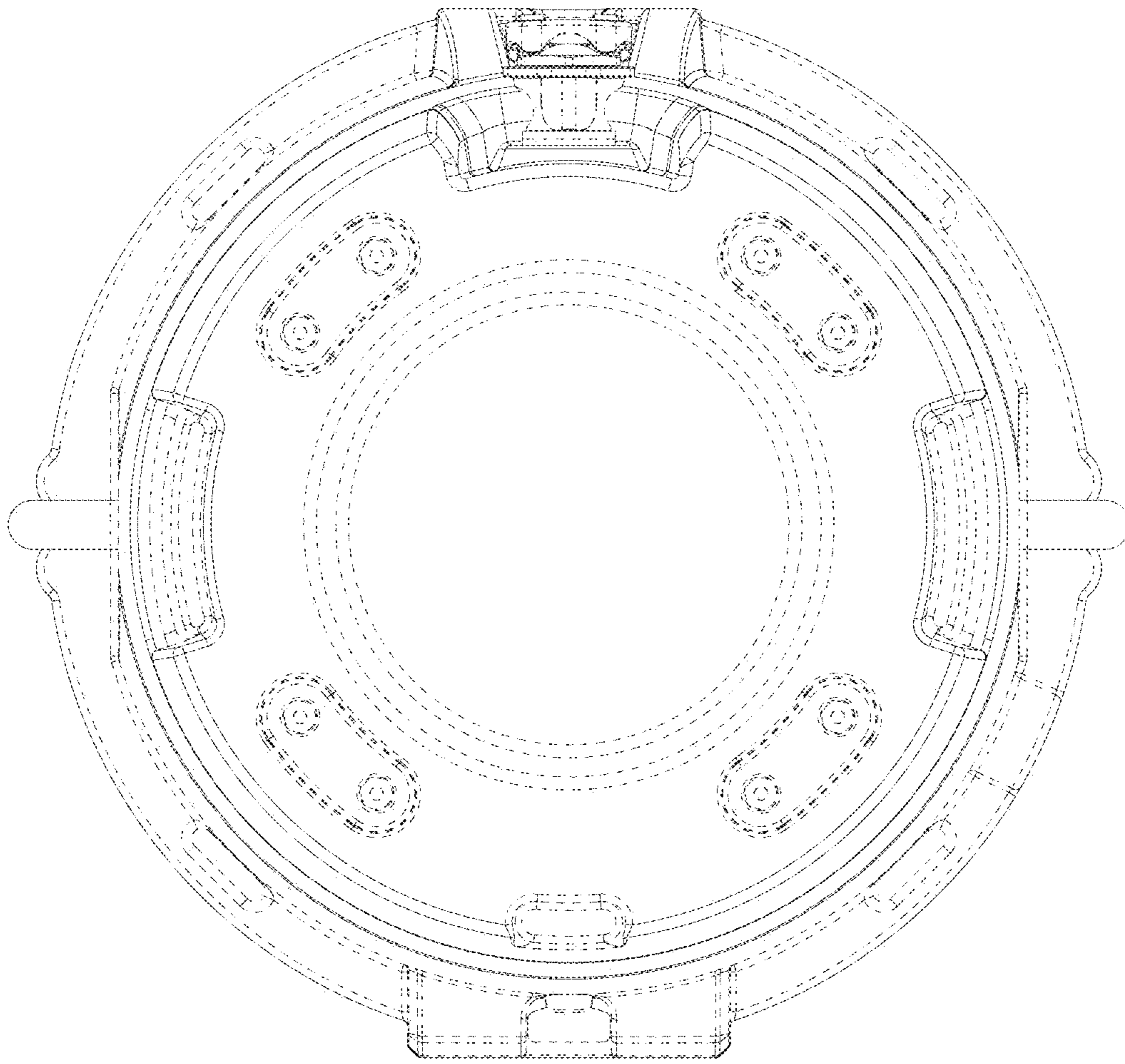


Fig.7