



US00D985222S

(12) **United States Design Patent** (10) **Patent No.:** **US D985,222 S**  
**Dorsey et al.** (45) **Date of Patent:** **\*\* May 2, 2023**

(54) **CLEANING TOOL**

(71) Applicant: **Helen of Troy Limited**, St. Michael (BB)

(72) Inventors: **Mark Dorsey**, New York, NY (US); **Lance E. Hazelton**, Maplewood, NJ (US)

(73) Assignee: **Helen of Troy Limited**, St. Michael (BB)

(\*\*) Term: **15 Years**

(21) Appl. No.: **29/795,225**

(22) Filed: **Jun. 17, 2021**

(51) **LOC (14) Cl.** ..... **07-05**

(52) **U.S. Cl.**  
USPC ..... **D32/46**

(58) **Field of Classification Search**  
USPC ..... D4/118; D7/393, 395, 401.2, 688;  
D8/107, 300, 303, 313, 90, 94, 95, 45,  
D8/47, 98, 16, 18, 10; D24/146;  
D32/44, 48, 51, 52, 42, 40, 46, 49  
CPC ..... A47J 43/288; B44D 3/162; B08B 1/005;  
A47L 17/06; A47L 13/08; A47L 13/02;  
A47L 13/022

See application file for complete search history.

(56) **References Cited**

**U.S. PATENT DOCUMENTS**

1,538,521 A \* 5/1925 Sheridan ..... A47L 13/08  
30/169  
3,157,946 A 11/1964 Smecko  
D199,962 S \* 1/1965 Peterson ..... D32/46  
3,178,747 A \* 4/1965 Peterson ..... A47L 17/06  
D32/46  
D233,586 S \* 11/1974 Kopp ..... D32/46

(Continued)

**FOREIGN PATENT DOCUMENTS**

FR 2958860 10/2011  
FR 3045306 6/2017

**OTHER PUBLICATIONS**

Durable pan scraper, posted Apr. 1, 2010 [online], [retrieved Feb. 23, 2023]. Retrieved from internet, [https://www.amazon.com/Lodge-Scrapers-Handheld-Polycarbonate-Cleaners/dp/B0039UU9UO/ref=sr\\_1\\_8?crd=2JG5YZLYMV7J6&keywords=handheld%2Bscraper&qid=1677164743&s=home-garden&sprefix=handheld%2Bscraper%2Cgarden%2C12](https://www.amazon.com/Lodge-Scrapers-Handheld-Polycarbonate-Cleaners/dp/B0039UU9UO/ref=sr_1_8?crd=2JG5YZLYMV7J6&keywords=handheld%2Bscraper&qid=1677164743&s=home-garden&sprefix=handheld%2Bscraper%2Cgarden%2C12) (Year: 2010).\*

(Continued)

*Primary Examiner* — Khawaja Anwar  
*Assistant Examiner* — Taylor O Mortorff  
(74) *Attorney, Agent, or Firm* — Rankin, Hill & Clark LLP

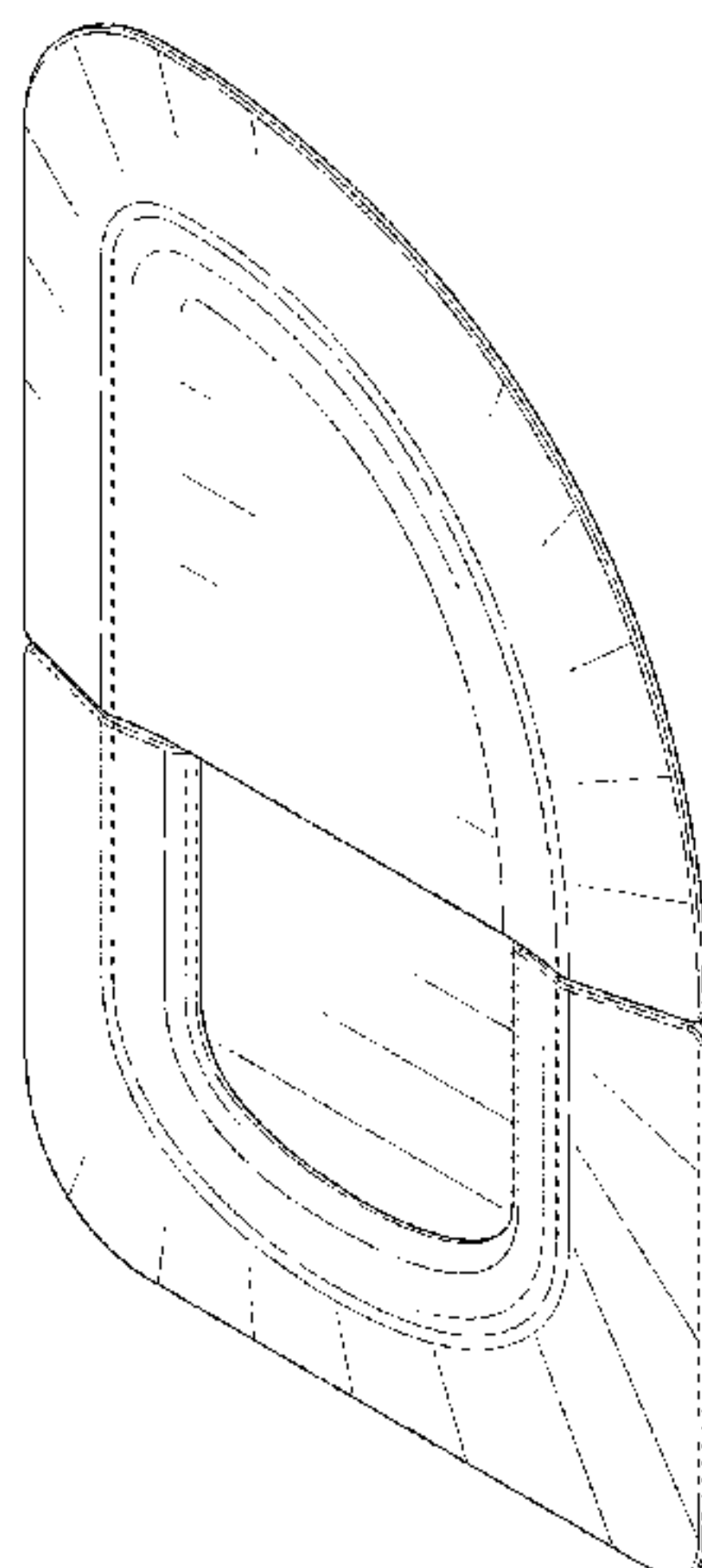
(57) **CLAIM**

The ornamental design for a cleaning tool, as shown and described.

**DESCRIPTION**

FIG. 1 is a perspective view of a cleaning tool showing our new design, with a cleaning implement secured to the cleaning tool;  
FIG. 2 is a front elevation view of FIG. 1;  
FIG. 3 is a rear elevation view of FIG. 1;  
FIG. 4 is a left side elevation view of FIG. 1;  
FIG. 5 is a right side elevation view of FIG. 1;  
FIG. 6 is a top plan view of FIG. 1;  
FIG. 7 is a bottom plan view of FIG. 1;  
FIG. 8 is a perspective view of the cleaning tool of FIG. 1, with the cleaning implement removed from the cleaning tool;  
FIG. 9 is a front elevation view of FIG. 8;  
FIG. 10 is a rear elevation view of FIG. 8;  
FIG. 11 is a left side elevation view of FIG. 8;  
FIG. 12 is a right side elevation view of FIG. 8;  
FIG. 13 is a top plan view of FIG. 8; and,  
FIG. 14 is a bottom plan view of FIG. 8.  
The broken lines in the drawings depict portions of the cleaning tool that form no part of the claimed design.

**1 Claim, 10 Drawing Sheets**



(56)

References Cited

U.S. PATENT DOCUMENTS

4,209,865 A 7/1980 Kozlowski  
 D261,601 S \* 11/1981 Kettlestrings ..... D32/40  
 D276,564 S \* 11/1984 Leininger ..... D32/46  
 D302,880 S \* 8/1989 Terry ..... D32/46  
 D343,559 S \* 1/1994 Liberty ..... D8/45  
 D355,281 S \* 2/1995 Hansen ..... D32/46  
 5,467,499 A \* 11/1995 Blouin ..... B44D 3/162  
 15/236.01  
 D416,118 S \* 11/1999 Paden ..... D32/46  
 D450,898 S \* 11/2001 Mitchell ..... D32/46  
 D513,813 S \* 1/2006 Avery ..... D32/46  
 D545,518 S \* 6/2007 Ayala ..... D32/46  
 D546,512 S \* 7/2007 Kertz ..... D1/127  
 D624,720 S \* 9/2010 Motsenbocker ..... D32/46  
 D628,447 S \* 12/2010 Genatossio ..... D7/688  
 8,250,701 B1 8/2012 Forsline  
 8,413,290 B1 4/2013 Taverne  
 D708,806 S \* 7/2014 Nagoya ..... D32/40  
 9,545,173 B2 1/2017 Brown

D799,771 S \* 10/2017 Toll ..... D32/46  
 D841,271 S \* 2/2019 Motsenbocker ..... D32/46  
 D841,911 S \* 2/2019 Hamilton ..... D32/40  
 D842,566 S \* 3/2019 Gee, II ..... D7/688  
 D843,075 S \* 3/2019 Hamilton ..... D32/40  
 D846,216 S \* 4/2019 Hamilton ..... D32/40  
 D860,564 S \* 9/2019 Cavero ..... D32/41  
 D901,809 S \* 11/2020 De La Torre ..... D32/46  
 2010/0236003 A1 9/2010 Teng  
 2019/0110642 A1 4/2019 Thompson

OTHER PUBLICATIONS

Pan scraper set, posted Aug. 20, 2017 [online], [retrieved xx/xx/xx].  
 Retrieved from internet, [https://www.amazon.com/Pan-Scrapers-Durable-Skillets-Cookware/dp/B074ZTMGVF/ref=sr\\_1\\_43?crid=2JG5YZLYMV7J6&keywords=handheld%2Bscraper&qid=1677165134&s=home-garden&sprefix=handheld%2Bscraper%2Cgarden%2C123&sr=1-43](https://www.amazon.com/Pan-Scrapers-Durable-Skillets-Cookware/dp/B074ZTMGVF/ref=sr_1_43?crid=2JG5YZLYMV7J6&keywords=handheld%2Bscraper&qid=1677165134&s=home-garden&sprefix=handheld%2Bscraper%2Cgarden%2C123&sr=1-43) (Year: 2017).\*

\* cited by examiner

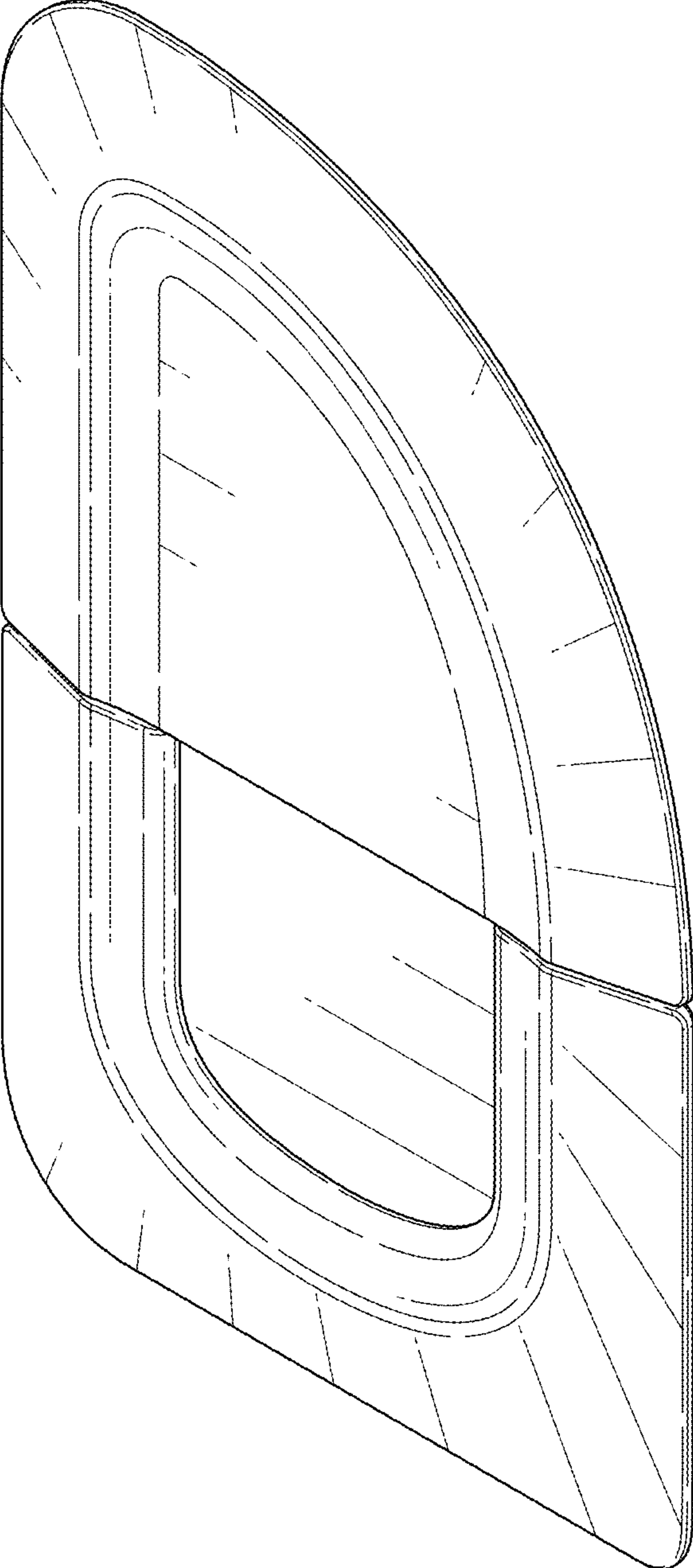


FIG. 1

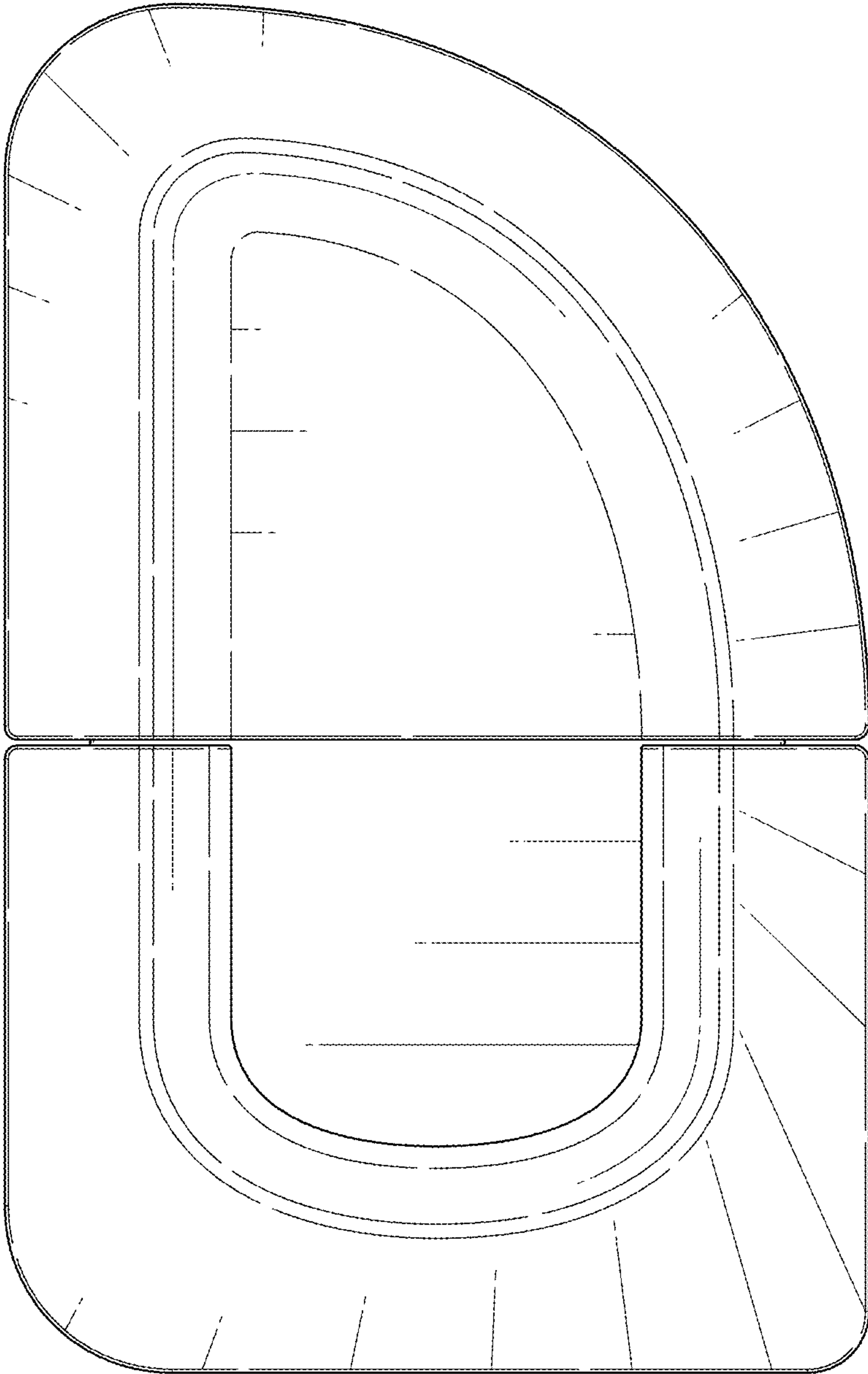


FIG. 2

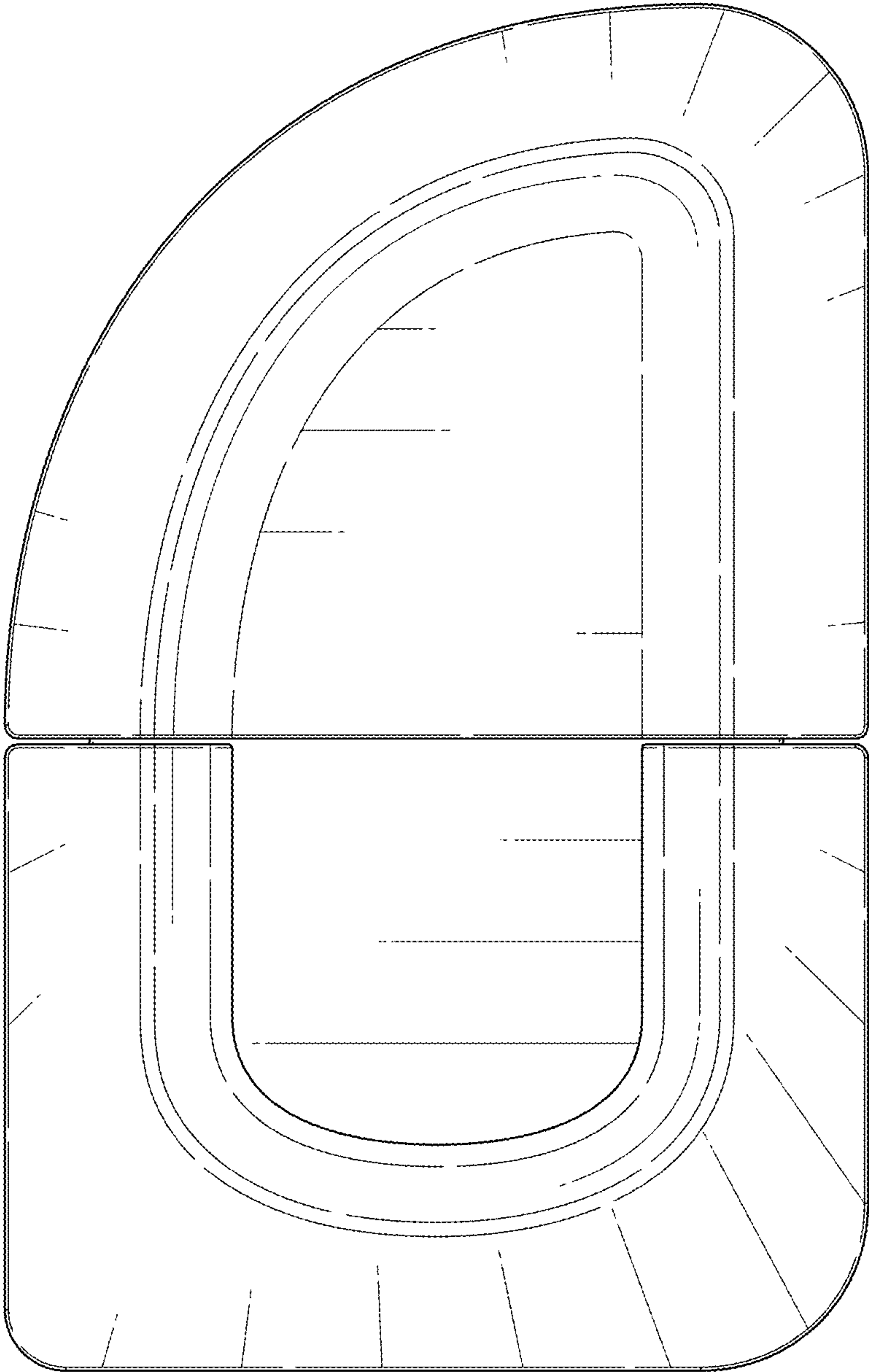


FIG. 3



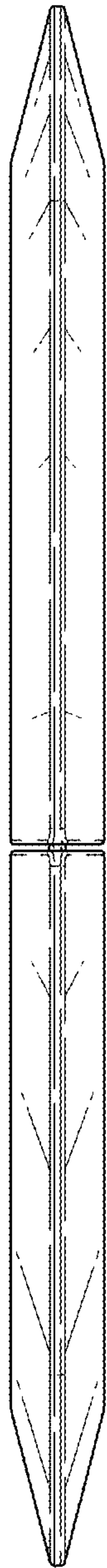


FIG. 4

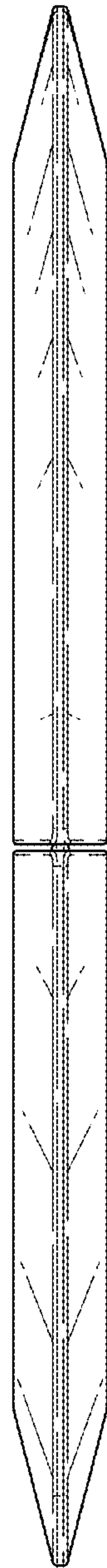


FIG. 5

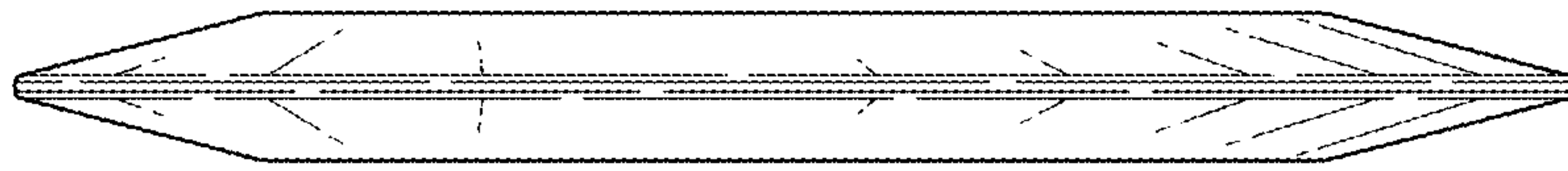


FIG. 6

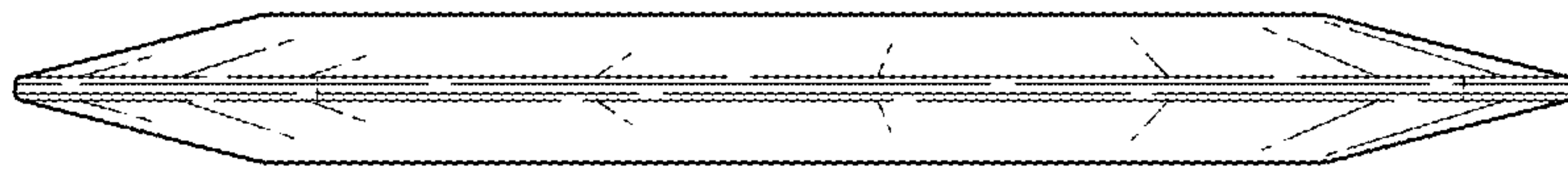


FIG. 7

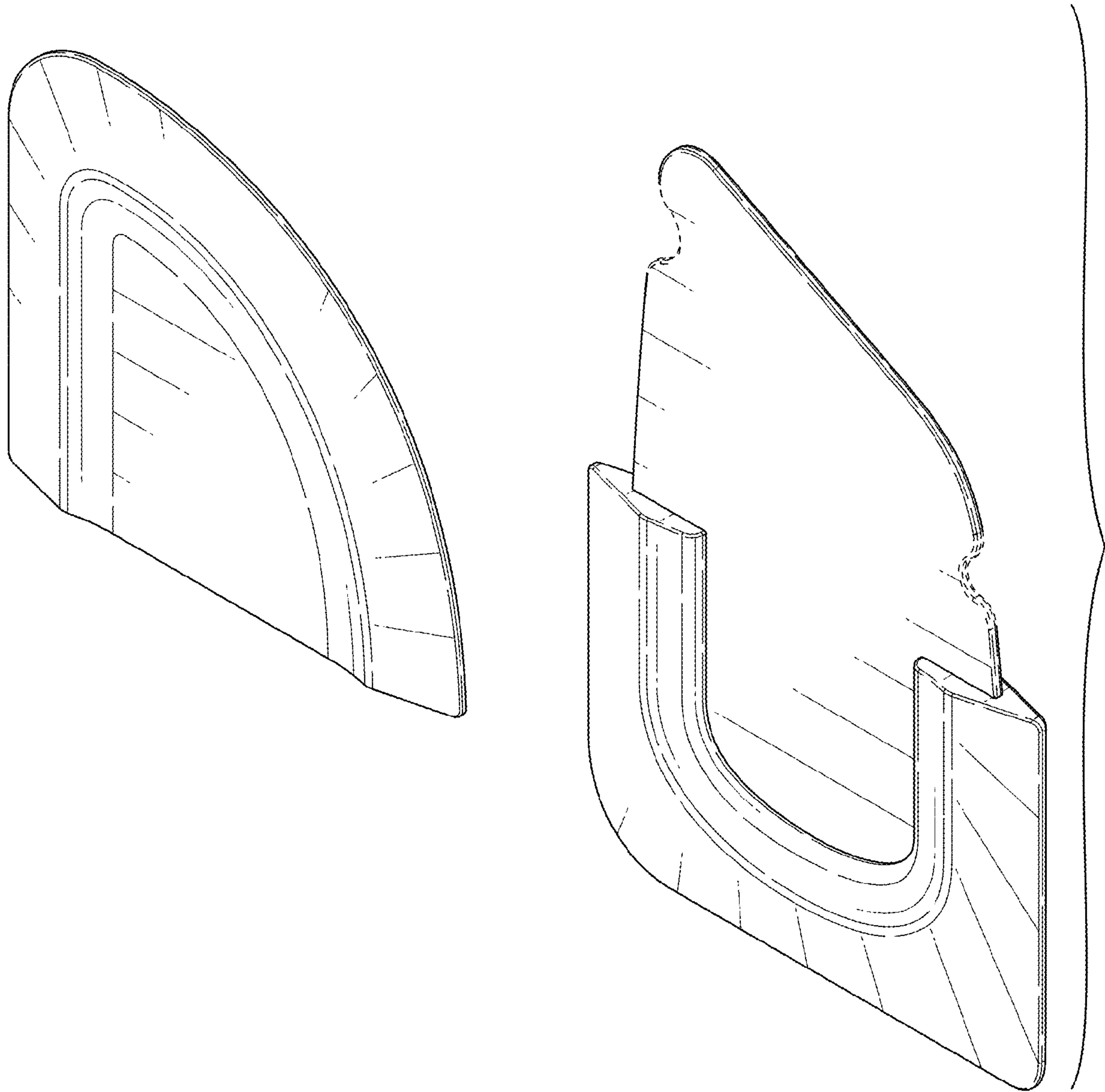


FIG. 8



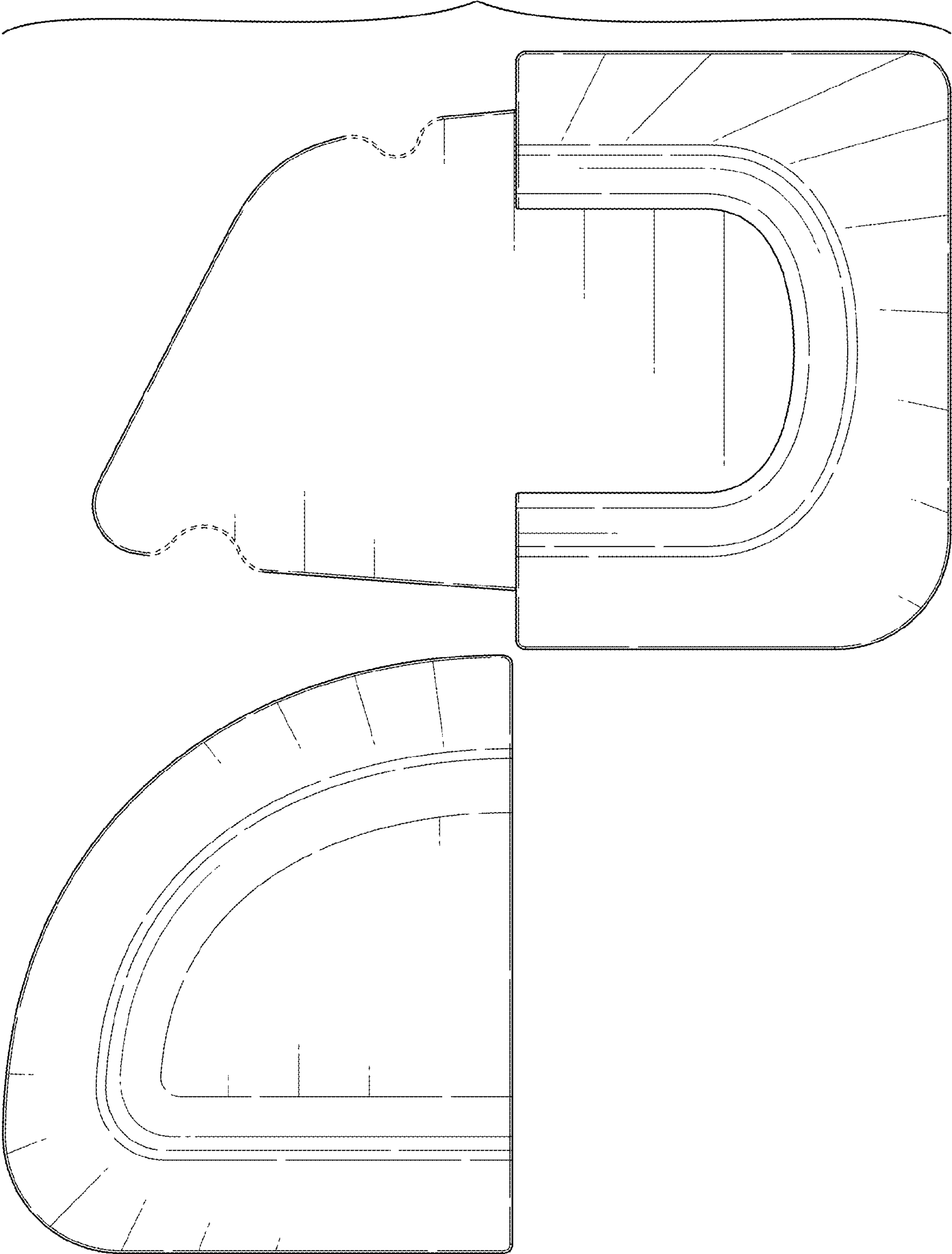


FIG. 9

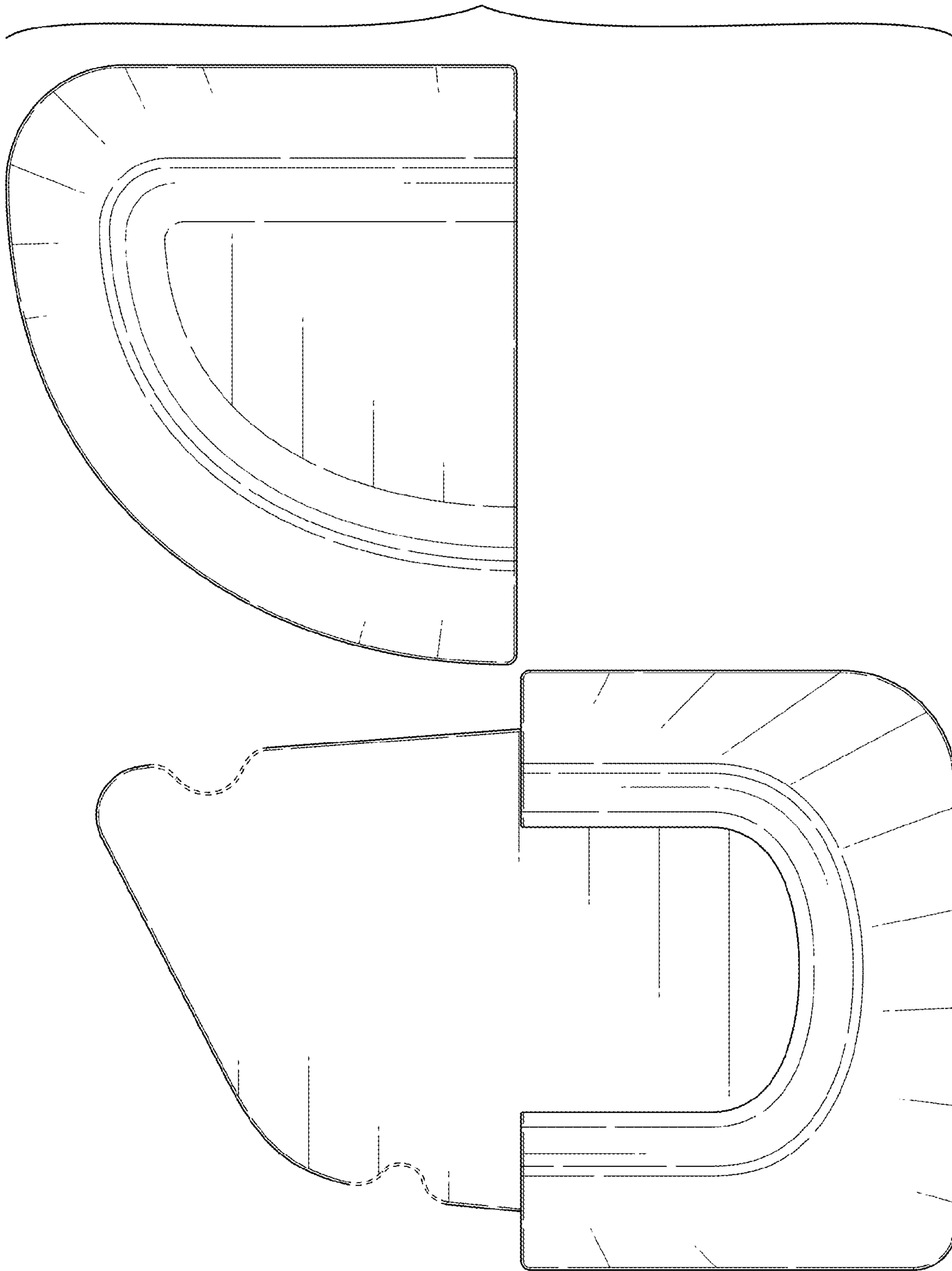


FIG. 10

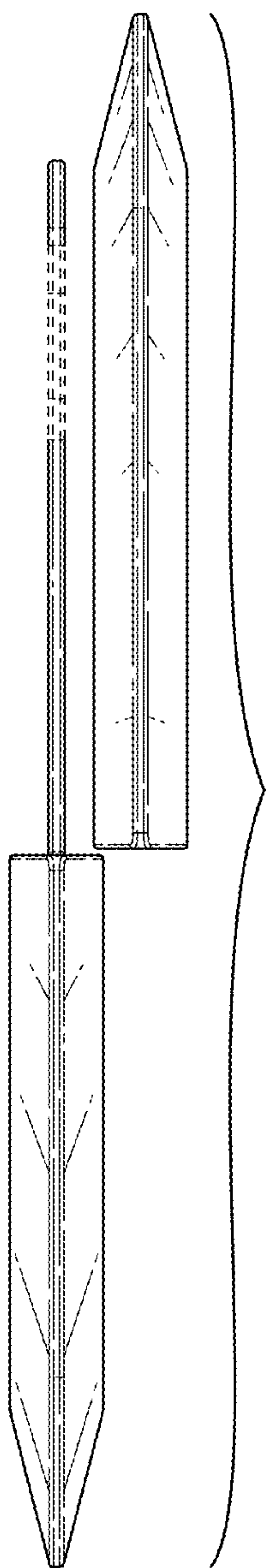


FIG. 11

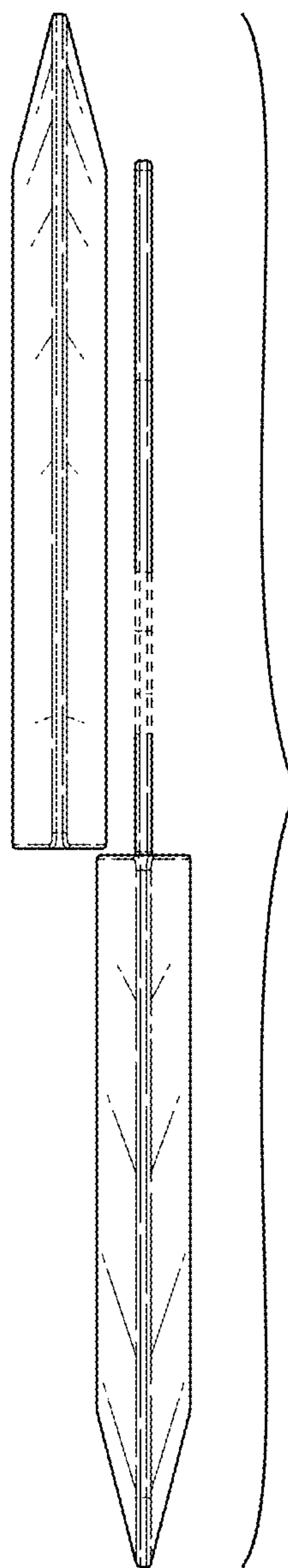


FIG. 12

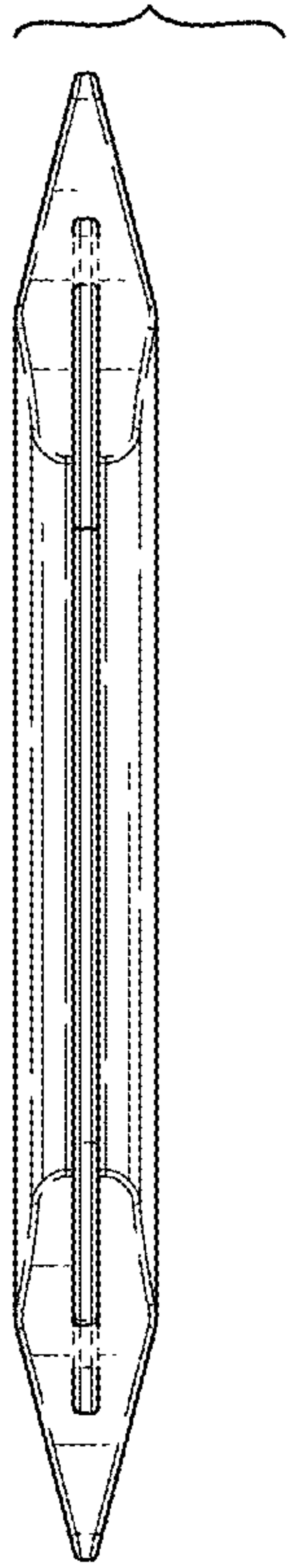


FIG. 13

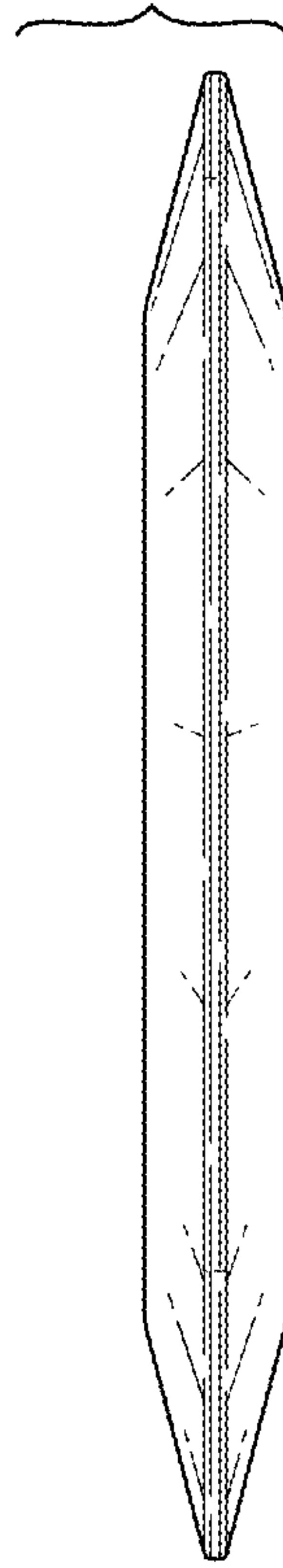
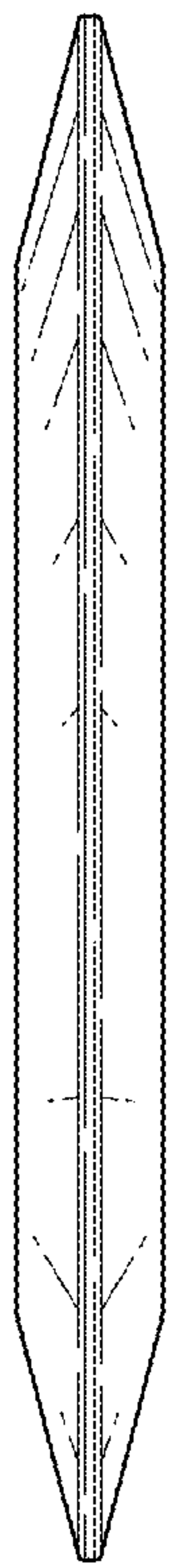


FIG. 14

