



US00D985221S

(12) **United States Design Patent** (10) **Patent No.:** **US D985,221 S**  
**Shin** (45) **Date of Patent:** **\*\* May 2, 2023**

- (54) **ROLLER TYPE CLEANER**
- (71) Applicant: **Kyung Sub Shin**, Incheon (KR)
- (72) Inventor: **Kyung Sub Shin**, Incheon (KR)
- (\*\*) Term: **15 Years**
- (21) Appl. No.: **29/714,048**
- (22) Filed: **Nov. 20, 2019**
- (30) **Foreign Application Priority Data**  
Jul. 9, 2019 (KR) ..... 30-2019-0032850
- (51) **LOC (14) Cl.** ..... **07-05**
- (52) **U.S. Cl.**  
USPC ..... **D32/35; D4/122**  
CPC ..... **A46B 15/00 (2013.01)**
- (58) **Field of Classification Search**  
USPC ..... D32/2, 3, 25, 30, 35, 39, 46, 54;  
D4/103, 121, 122, 124, 128, 116, 133,  
D4/199, 138  
CPC ..... A46B 13/08; A46B 15/00; A46B 7/10;  
A46B 13/001; A46B 9/005; A46B  
2200/3033; A47L 25/00; A47L 25/08  
See application file for complete search history.

- (56) **References Cited**  
U.S. PATENT DOCUMENTS  
2,087,888 A \* 7/1937 Adams ..... B05C 17/0207  
492/19  
D206,258 S \* 11/1966 Roth ..... D4/122  
D212,131 S \* 8/1968 Sakow ..... D4/122  
D278,953 S \* 5/1985 Smith ..... D4/138  
D292,450 S \* 10/1987 Moon ..... D4/122  
D321,093 S \* 10/1991 Jarecki ..... D4/122  
D336,163 S \* 6/1993 Chien-Min ..... D4/122  
D439,387 S \* 3/2001 Ancona ..... D32/42  
D483,571 S \* 12/2003 Khubani ..... D4/122  
D531,816 S \* 11/2006 Tuman ..... D4/199  
D532,203 S \* 11/2006 Tuman ..... D4/122

- D552,356 S \* 10/2007 Newbould ..... D4/122
- D637,403 S \* 5/2011 Schmidt ..... D4/122
- D638,222 S \* 5/2011 Molinet ..... D4/122
- D654,698 S \* 2/2012 Ross ..... D4/116
- D661,491 S \* 6/2012 Bunnag ..... D4/122
- 8,225,448 B2 \* 7/2012 Vasilakes ..... A47L 25/005  
D4/122
- D671,748 S \* 12/2012 Guyton ..... D4/122
- D690,944 S \* 10/2013 Lee ..... D4/122
- D696,826 S \* 12/2013 Seehoff ..... D4/138
- D697,313 S \* 1/2014 Yao ..... D4/122
- 8,904,588 B2 \* 12/2014 Taub ..... A47L 25/005  
D4/122
- D733,434 S \* 7/2015 Miwa ..... D4/122
- D738,698 S \* 9/2015 Caiman ..... D8/51
- D870,992 S \* 12/2019 Jobb ..... D32/17
- 10,874,207 B1 \* 12/2020 Wengreen ..... A46B 13/08
- D910,246 S \* 2/2021 Zhang ..... D30/158
- D922,705 S \* 6/2021 Baldwin ..... D32/35
- 11,141,041 B2 \* 10/2021 Slone ..... A47L 25/005

(Continued)

*Primary Examiner* — Richard E Chilcot  
(74) *Attorney, Agent, or Firm* — IP Legal Services, LLC

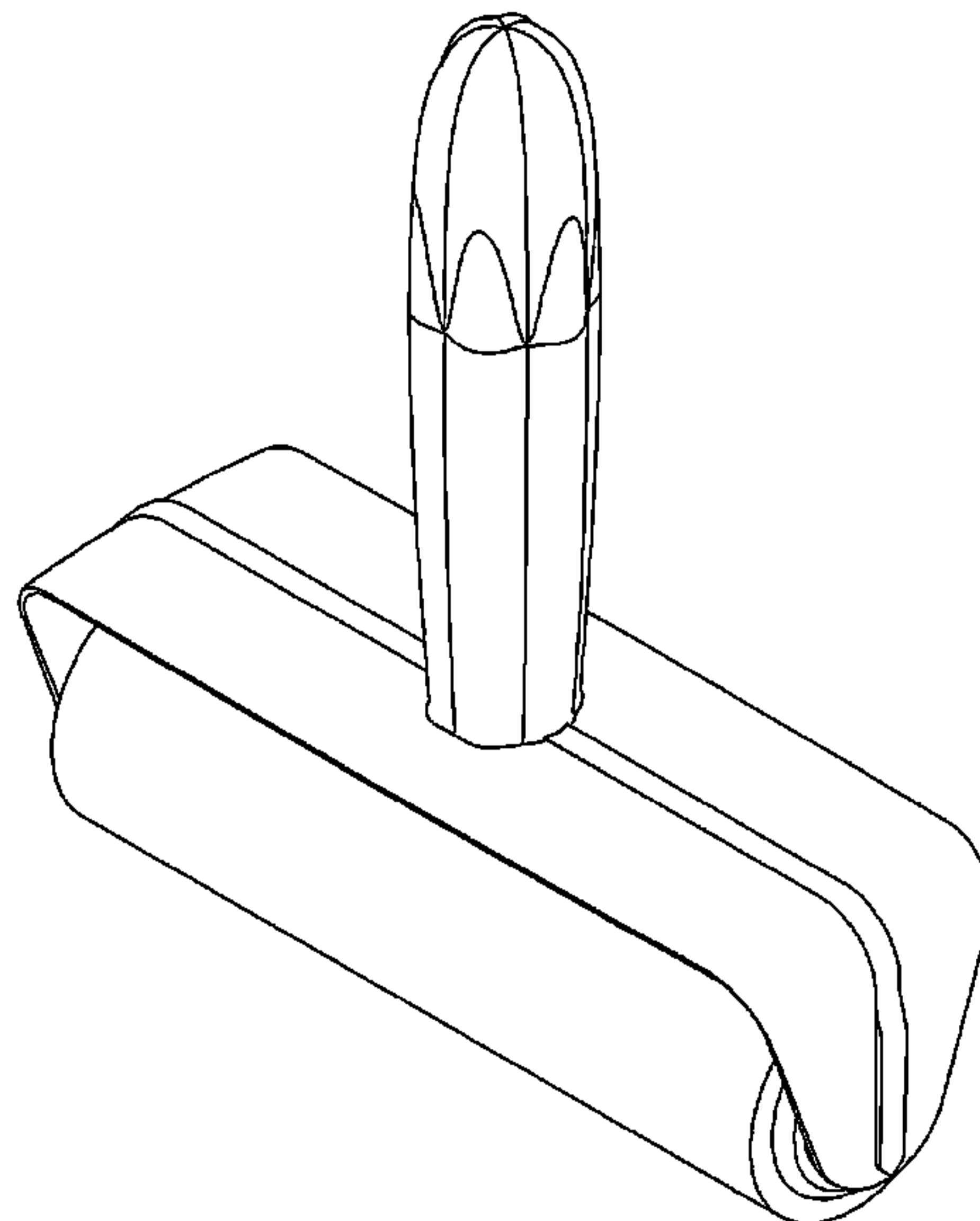
(57) **CLAIM**

The ornamental design for a roller type cleaner, as shown and described.

**DESCRIPTION**

FIG. 1 is a perspective view of a roller type cleaner showing my new design;  
FIG. 2 is a front view thereof;  
FIG. 3 is a rear view thereof;  
FIG. 4 is a left side view thereof;  
FIG. 5 is a right side view thereof;  
FIG. 6 is a top plan view thereof;  
FIG. 7 is a bottom plan view thereof; and,  
FIG. 8 is a perspective view showing the present design stored in a rectangular case when not in use.  
The rectangular case is shown for illustrative purpose only and forms no part of the claimed design.

**1 Claim, 7 Drawing Sheets**



(56)

**References Cited**

U.S. PATENT DOCUMENTS

D939,098 S \* 12/2021 Lombardo ..... D24/211  
D949,360 S \* 4/2022 Lombardo ..... D24/211  
D952,886 S \* 5/2022 Liao ..... D24/215  
D958,477 S \* 7/2022 Wengreen ..... A47L 25/08  
D32/19  
2021/0369073 A1\* 12/2021 Wengreen ..... A47L 25/00

\* cited by examiner

FIG. 1

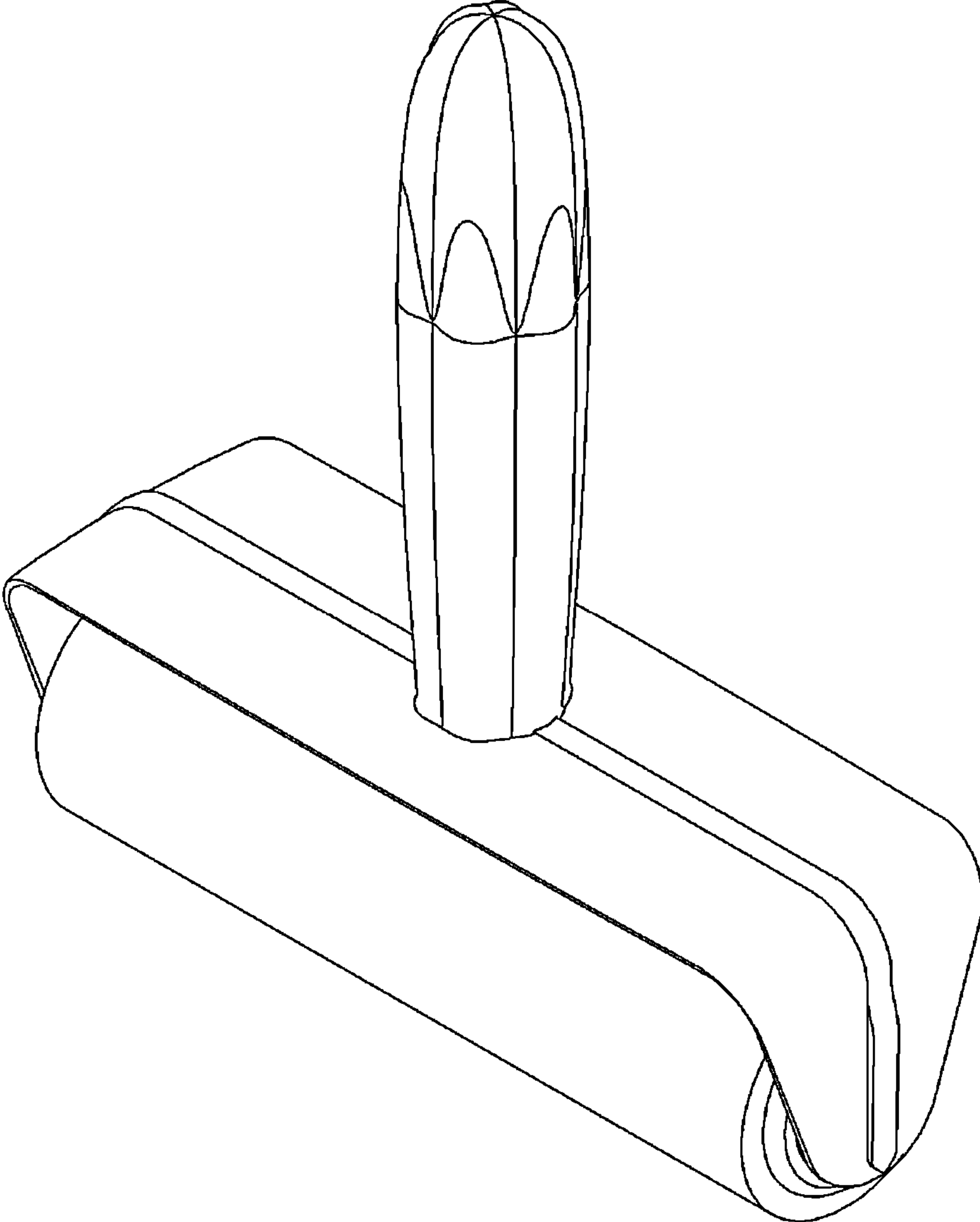


FIG. 2

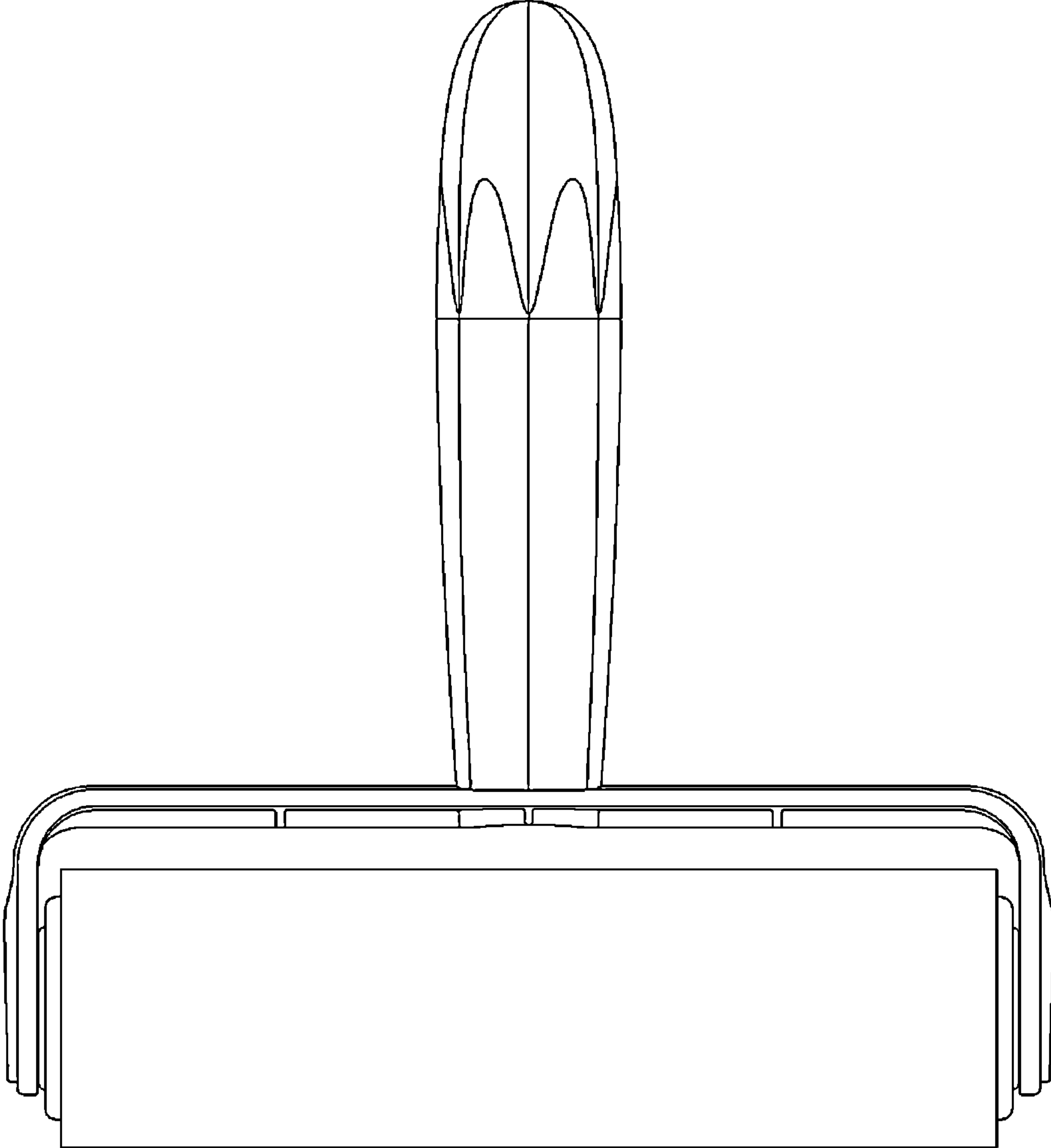


FIG. 3

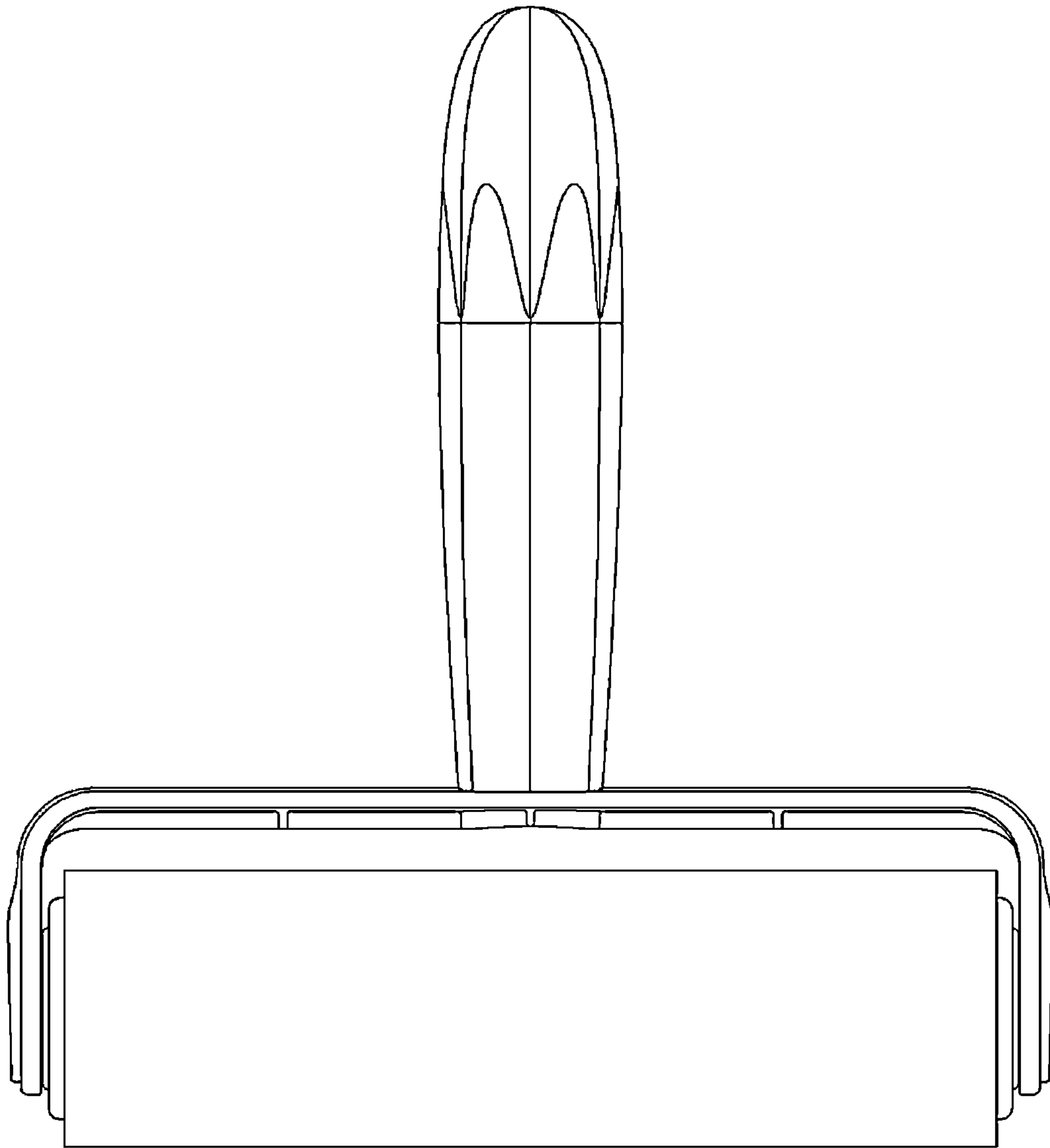


FIG. 4

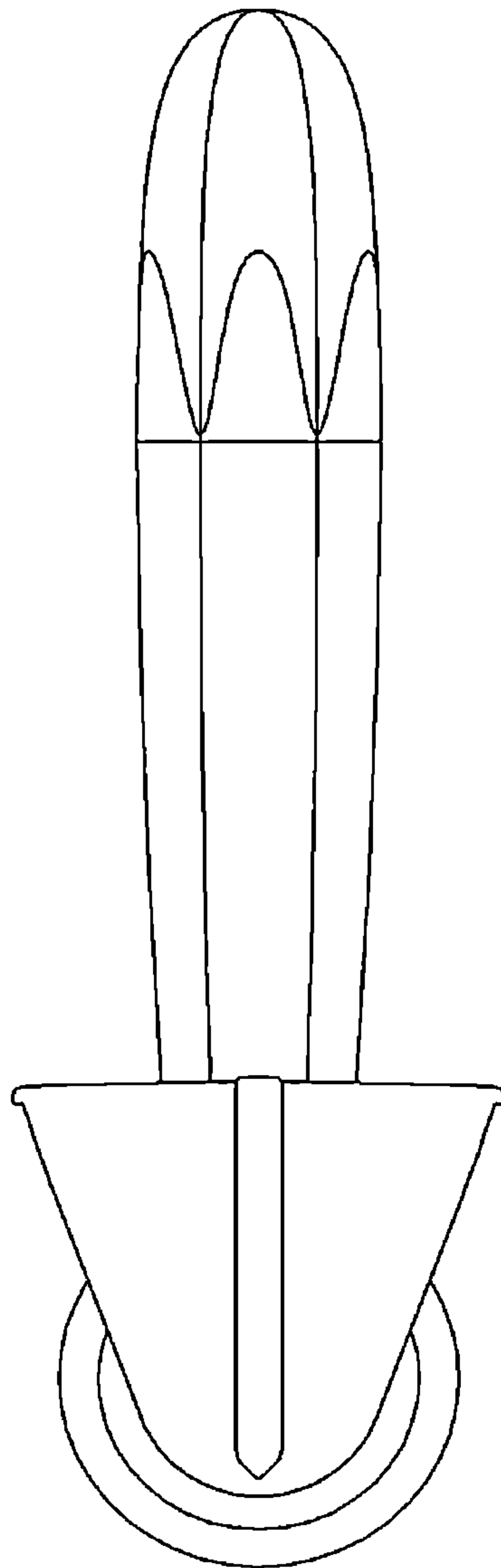


FIG. 5

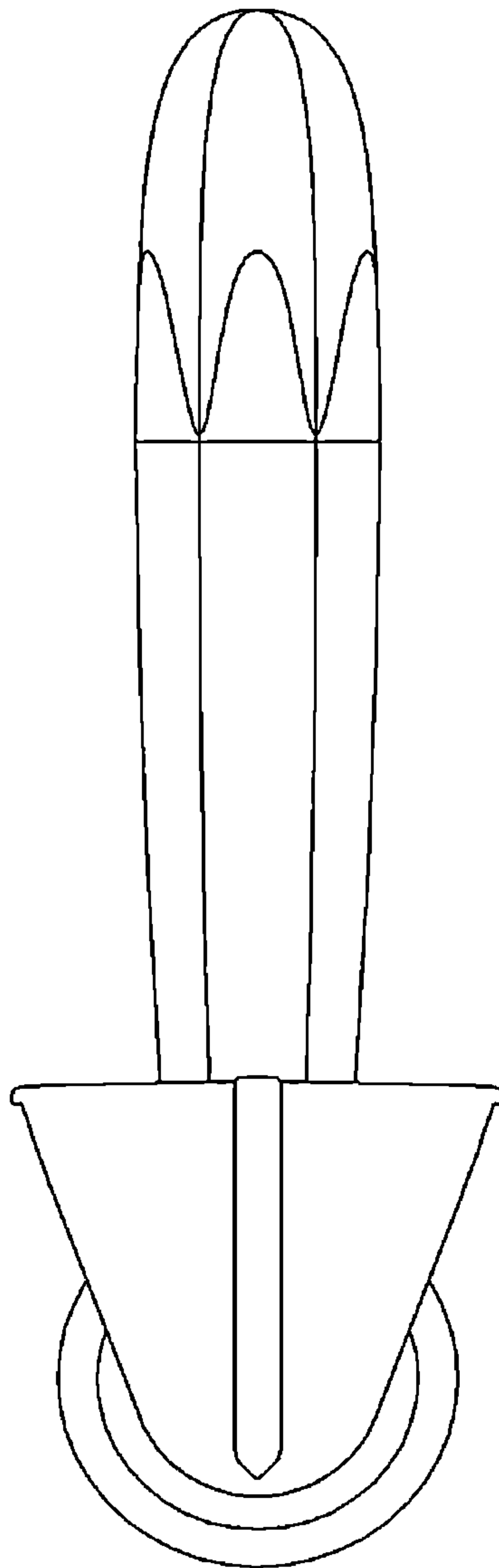


FIG. 6

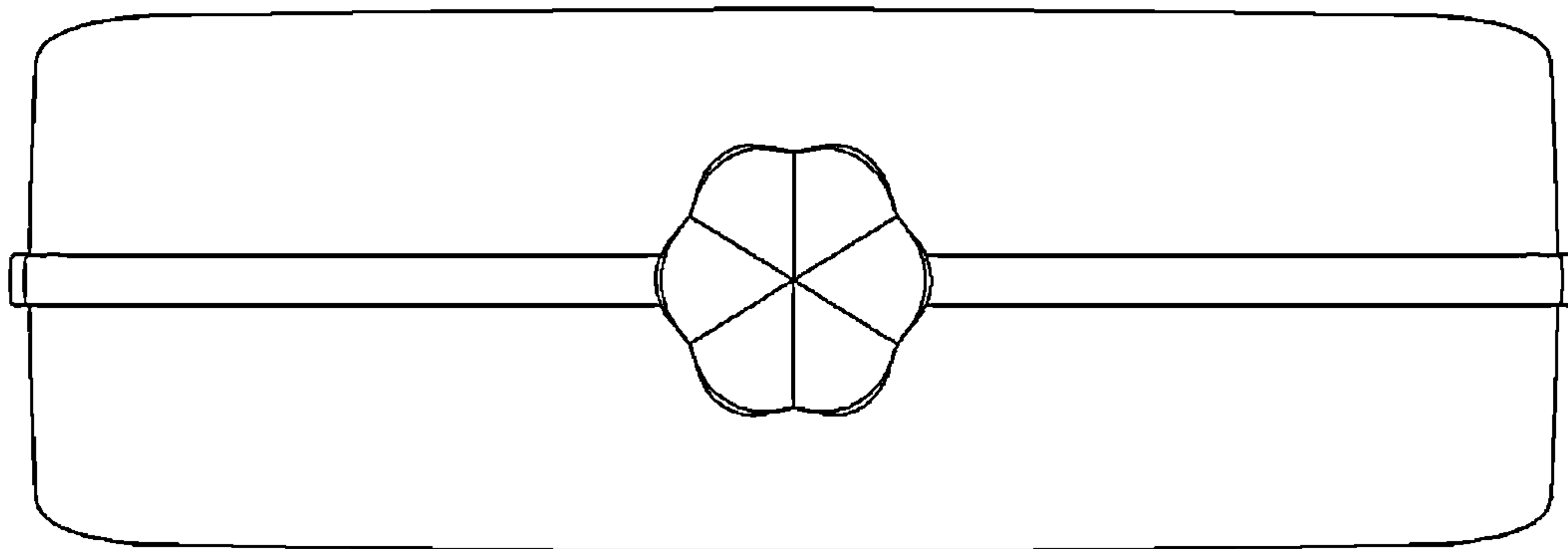


FIG. 7

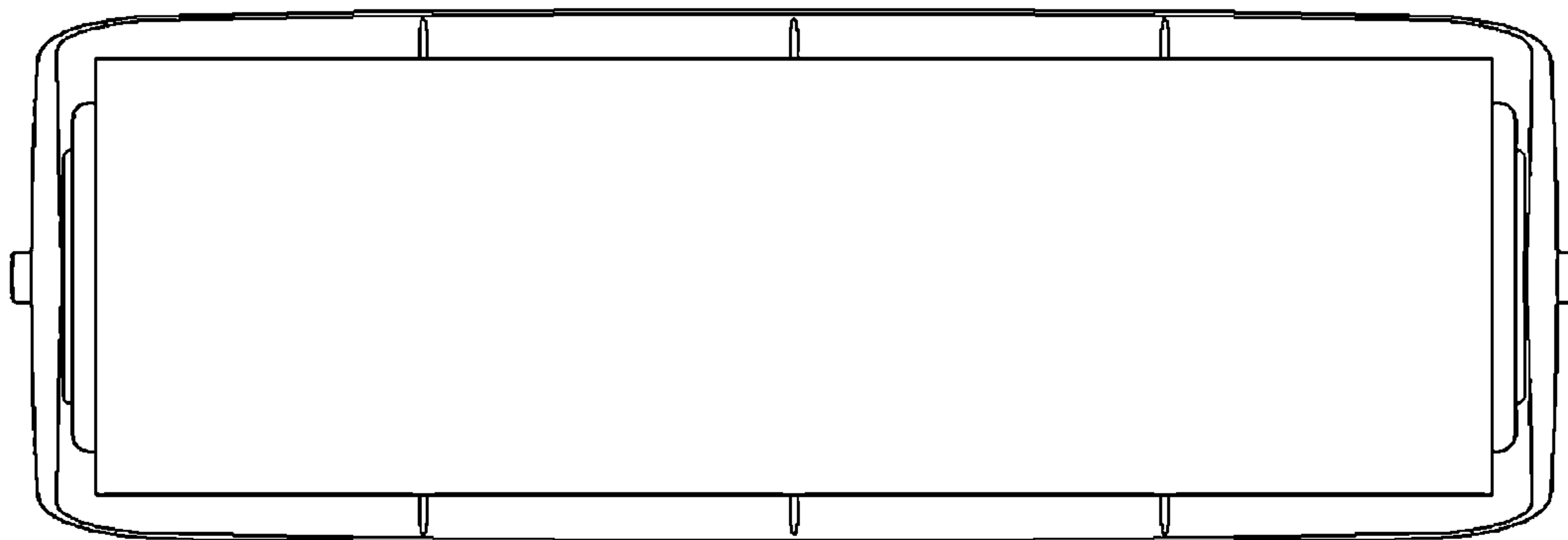




FIG. 8

