



US00D985216S

(12) **United States Design Patent** (10) **Patent No.:** **US D985,216 S**  
**Blake** (45) **Date of Patent:** **\*\* May 2, 2023**

(54) **DOG BALANCE PLATFORM**  
(71) Applicant: **Blue-9, LLC**, Maquoketa, IA (US)  
(72) Inventor: **David Blake**, Maquoketa, IA (US)  
(73) Assignee: **Blue-9, LLC**, Maquoketa, IA (US)  
(\*\*) Term: **15 Years**

D824,116 S \* 7/2018 Couse ..... D30/119  
D824,117 S \* 7/2018 Couse ..... D30/119  
D834,768 S \* 11/2018 Sarver ..... D30/160  
(Continued)

(21) Appl. No.: **29/770,936**  
(22) Filed: **Feb. 18, 2021**  
(51) **LOC (14) Cl.** ..... **30-99**  
(52) **U.S. Cl.**  
USPC ..... **D30/160**  
(58) **Field of Classification Search**  
USPC ..... D30/118, 119, 160, 199; D21/826, 671,  
D21/686, 694, 695, 673, 679  
CPC ..... A01K 15/027; A63B 2023/0411; A63B  
23/0458; A63B 2208/0204  
See application file for complete search history.

FOREIGN PATENT DOCUMENTS

GB 2568472 A 5/2019

OTHER PUBLICATIONS

Blue-9 Propel Air Platform Kit, posted at amazon.com, earliest date available Oct. 1, 2021, [online], acquired on Feb. 23, 2023, Available on internet. url:https://www.amazon.com/Blue-9-Conditioning-Equipment-Accessories-Professionally/dp/B09HR33YFZ?th=1 (Year: 2021).\*

*Primary Examiner* — Samantha Wood  
*Assistant Examiner* — Aula Soroush  
(74) *Attorney, Agent, or Firm* — Woodard, Emhardt, Henry, Reeves & Wagner, LLP

(56) **References Cited**

U.S. PATENT DOCUMENTS

3,781,931 A 1/1974 Knickerbocker  
D275,302 S 8/1984 Rotella  
D337,362 S \* 7/1993 Goldstein ..... D21/671  
D339,179 S \* 9/1993 Wilkinson ..... D6/350  
5,290,210 A \* 3/1994 Hand ..... A63B 23/0458  
482/51  
D353,636 S \* 12/1994 Le Roux ..... D25/65  
5,441,466 A \* 8/1995 Piaget ..... A63B 21/0085  
297/DIG. 8  
8,052,587 B1 11/2011 Wu  
8,360,943 B2 1/2013 Smith  
D680,599 S \* 4/2013 Orenstein ..... D21/671  
D681,138 S \* 4/2013 Hodgkins ..... D21/686  
D740,500 S 10/2015 Wickens  
9,724,586 B2 8/2017 Smith  
D800,973 S \* 10/2017 Jakubowski ..... D30/199  
D804,590 S \* 12/2017 Hillson ..... D21/671  
D824,114 S \* 7/2018 Couse ..... D30/119  
D824,115 S \* 7/2018 Couse ..... D30/119

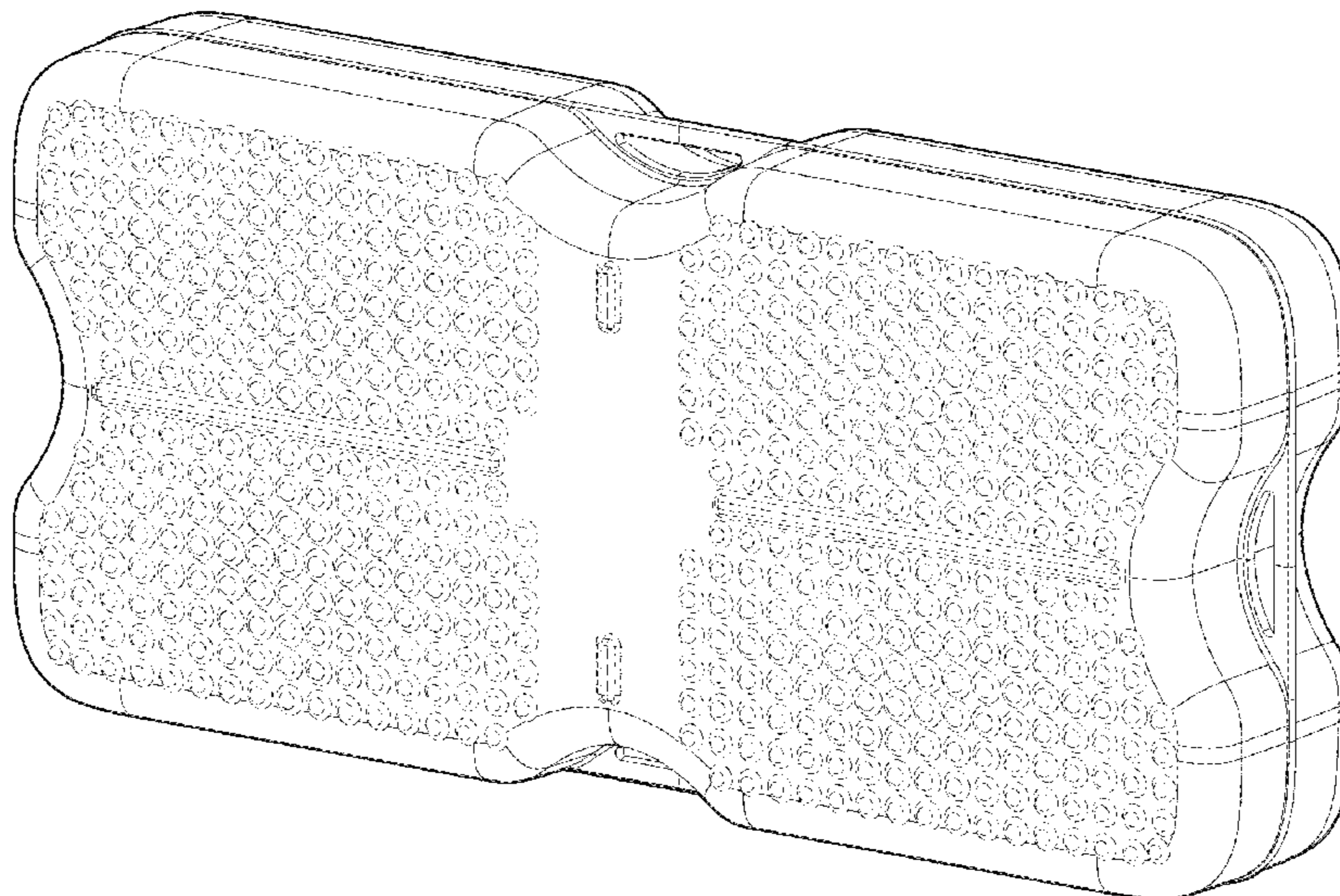
(57) **CLAIM**

The ornamental design for a dog balance platform, as shown and described.

**DESCRIPTION**

FIG. 1 is a top right perspective view of the dog balance platform showing my new design;  
FIG. 2 is a top left perspective view thereof;  
FIG. 3 is a bottom right perspective view thereof;  
FIG. 4 is a bottom left perspective view thereof;  
FIG. 5 is a top plan view thereof;  
FIG. 6 is a front view thereof;  
FIG. 7 is a right view thereof;  
FIG. 8 is a left view thereof;  
FIG. 9 is a bottom view thereof; and,  
FIG. 10 is a back view thereof.  
The broken lines illustrate portions of the dog balance platform and form no part of the claimed design.

**1 Claim, 7 Drawing Sheets**



(56)

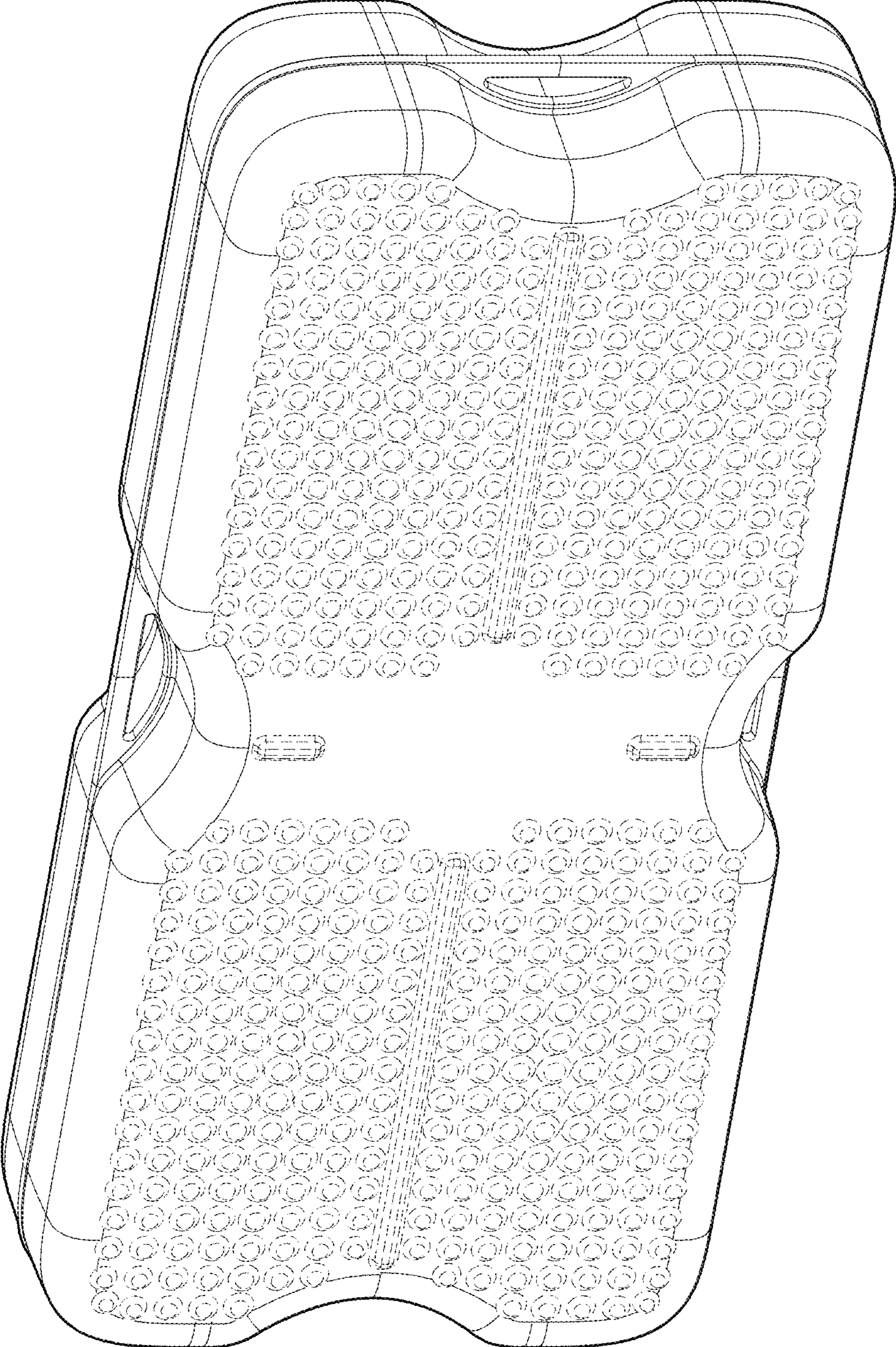
**References Cited**

U.S. PATENT DOCUMENTS

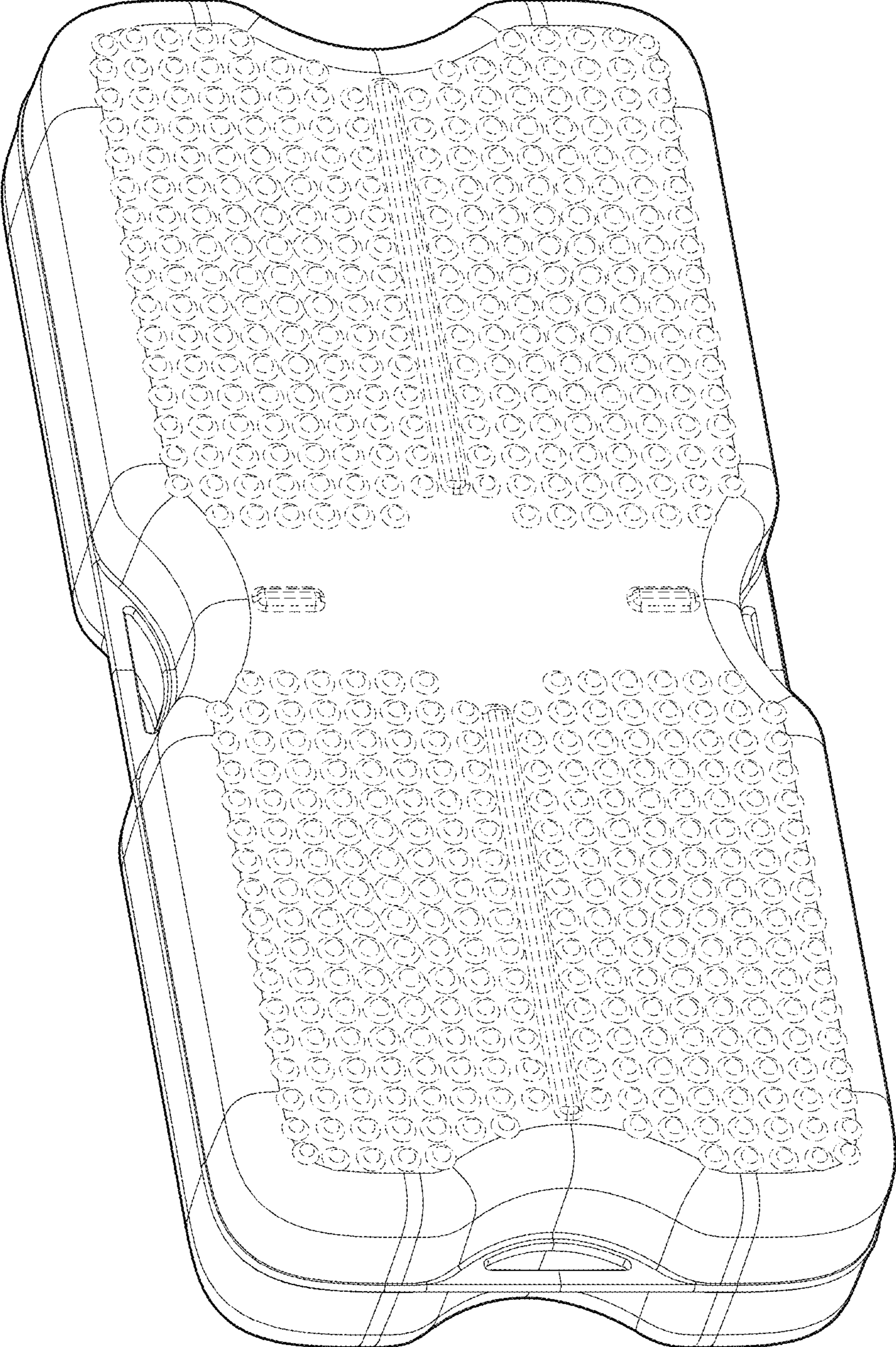
D861,994 S \* 10/2019 MacNeil ..... D30/119  
D864,493 S \* 10/2019 MacNeil ..... D30/119  
D894,504 S \* 8/2020 Ryan ..... D30/160  
D930,285 S \* 9/2021 Sarver ..... A01K 15/027  
D30/160  
D968,729 S \* 11/2022 Chen ..... D30/199  
D969,242 S \* 11/2022 Ehrenreich ..... D21/671  
D978,446 S \* 2/2023 Wendling ..... D30/121  
2012/0202652 A1\* 8/2012 Ross ..... A63B 23/0458  
482/52  
2012/0208678 A1\* 8/2012 Knilans ..... A63B 23/0458  
482/52  
2017/0043199 A1 2/2017 Lin

\* cited by examiner



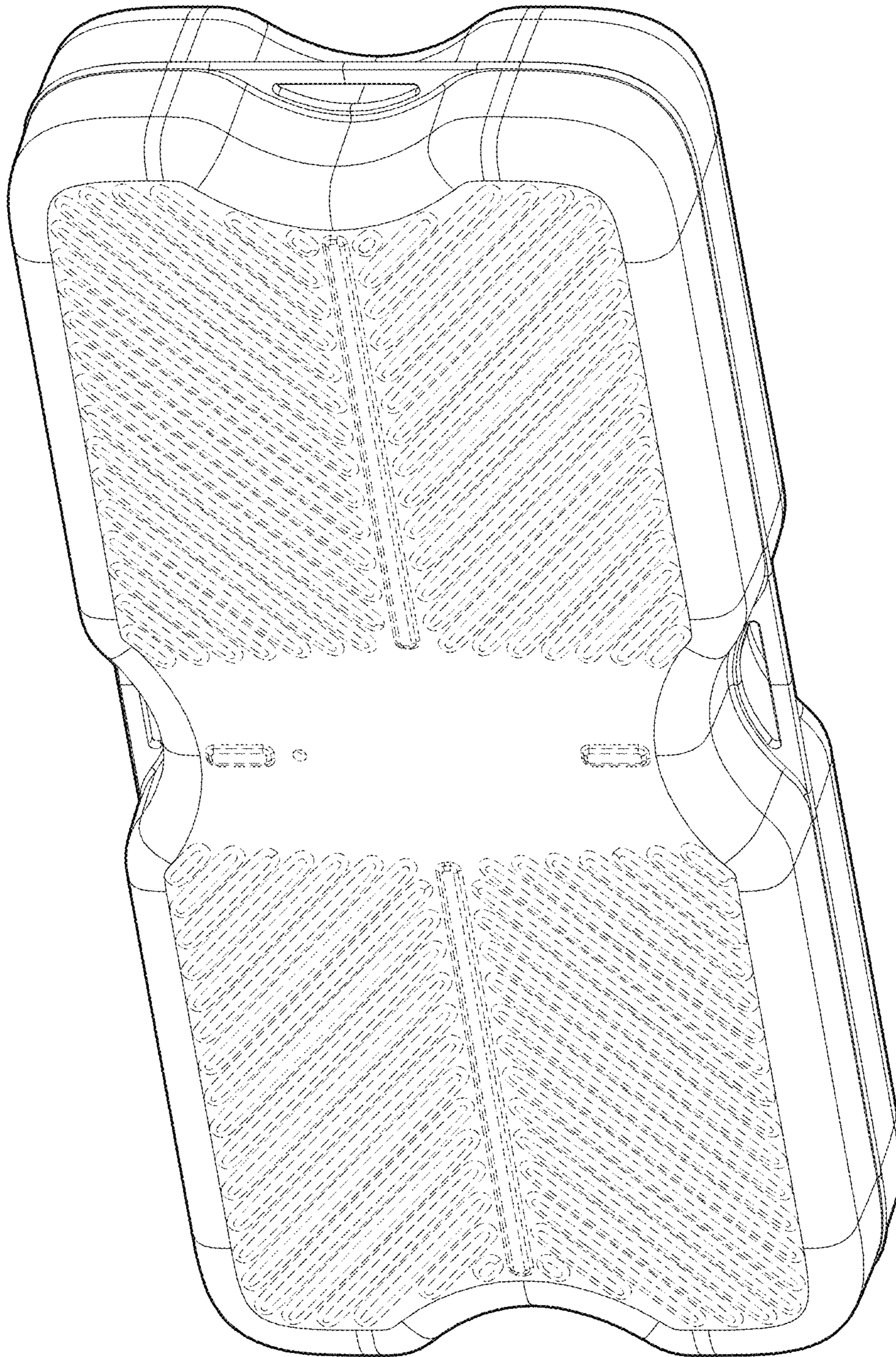


**Fig. 1**



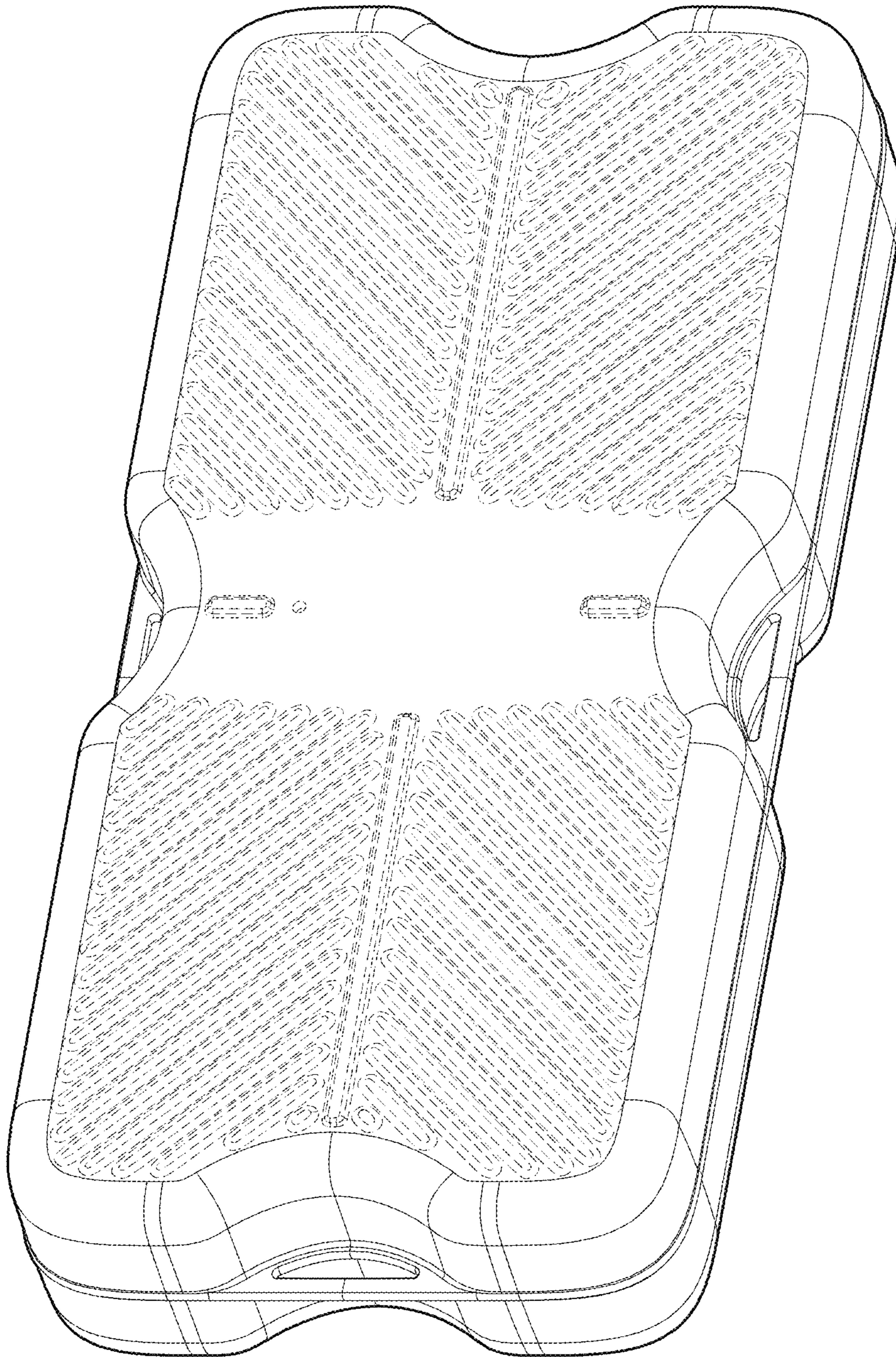
**Fig. 2**





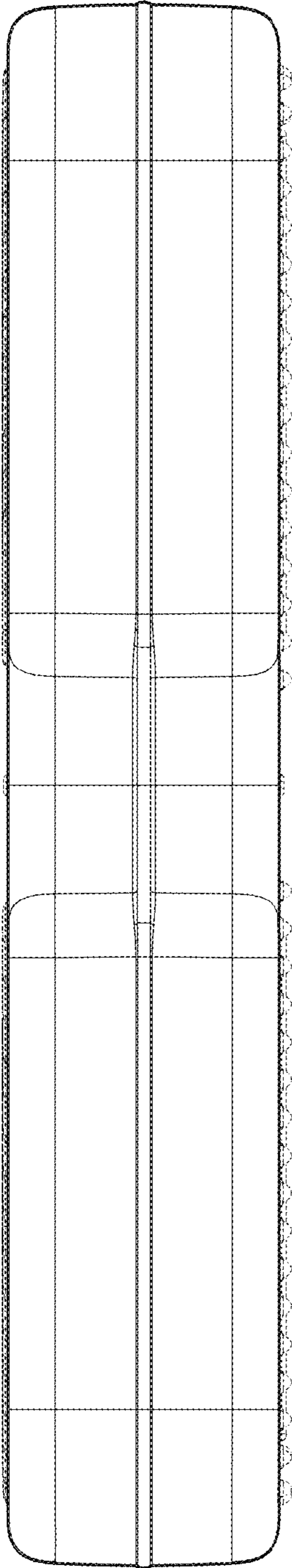
**Fig. 3**



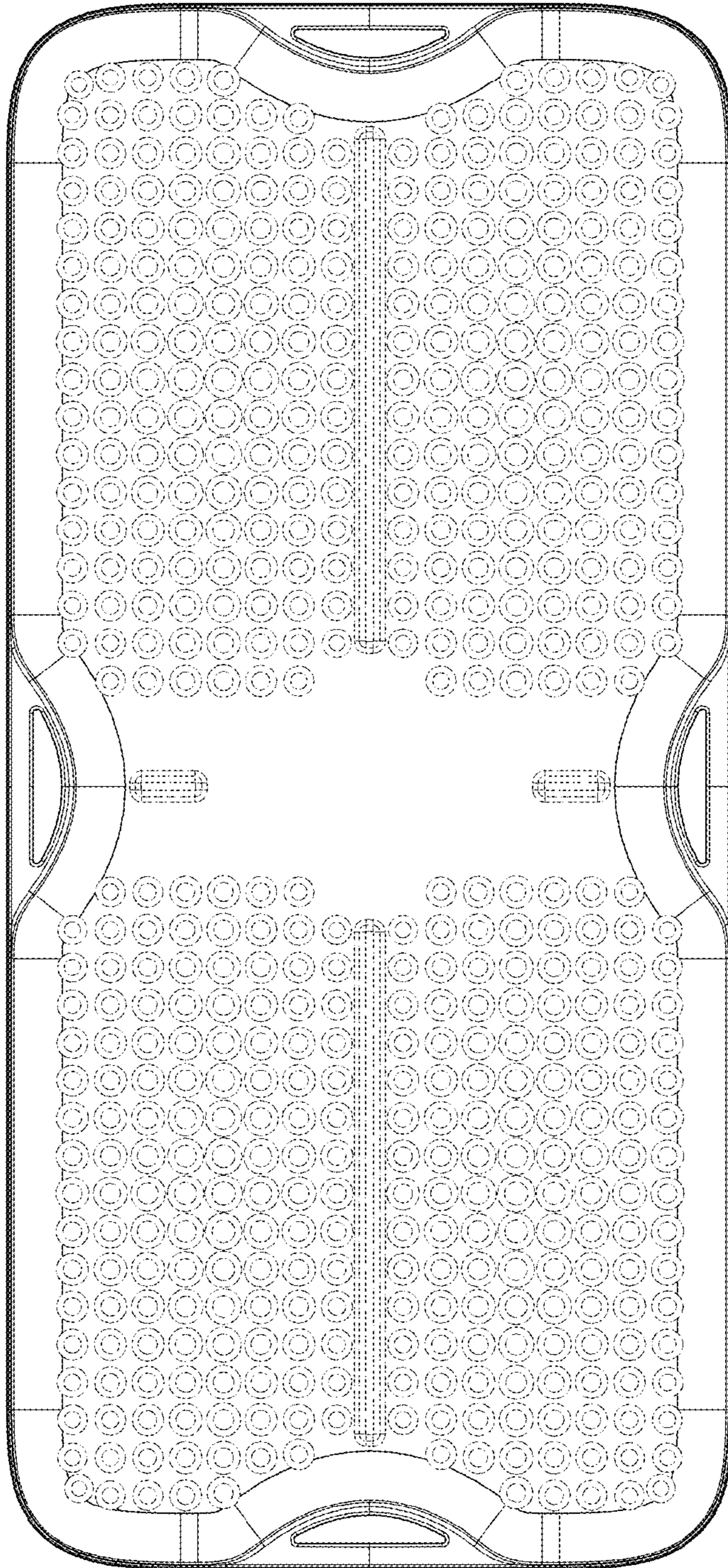


**Fig. 4**

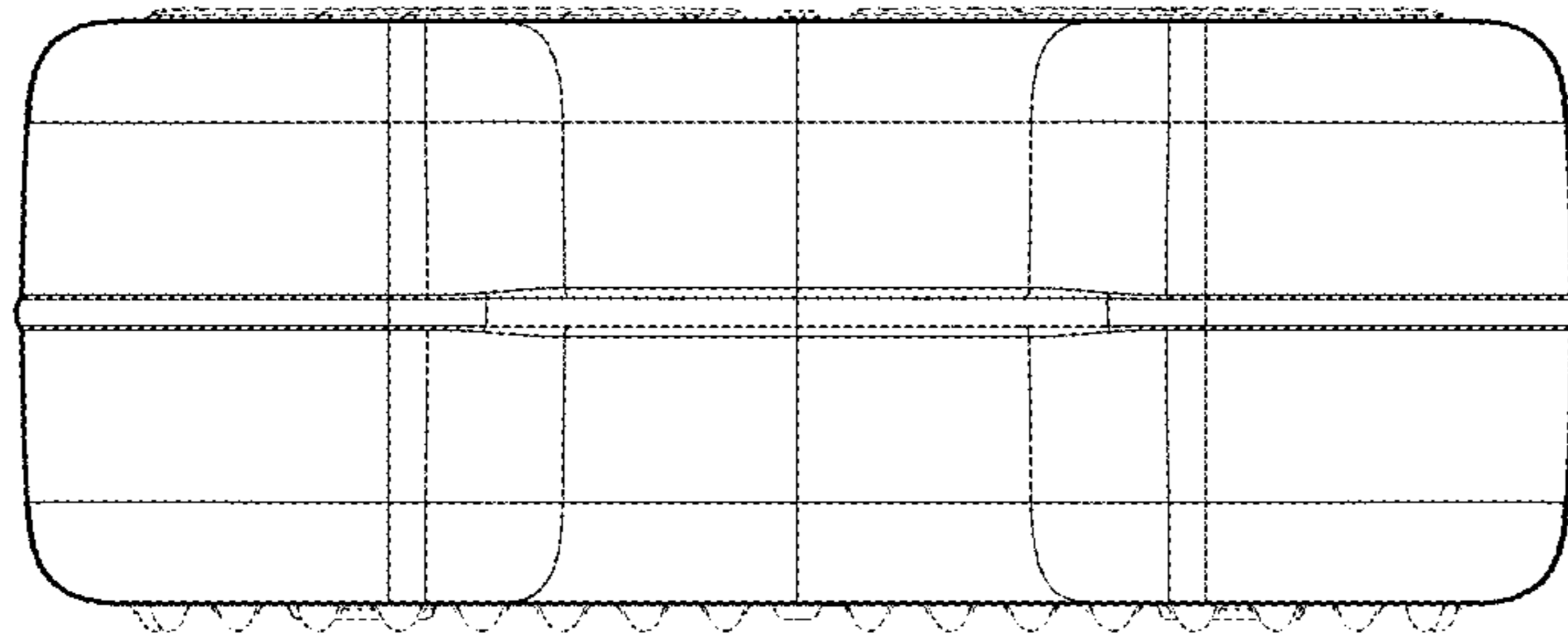




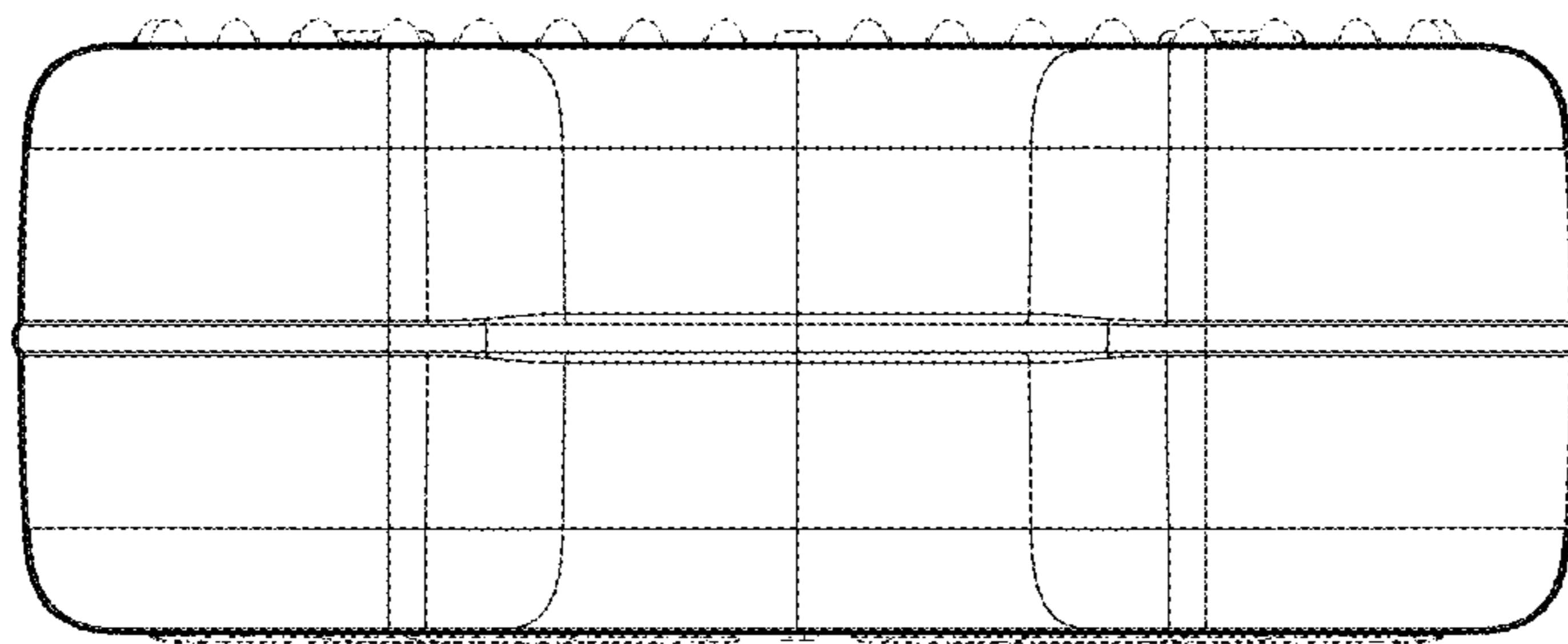
**Fig. 6**



**Fig. 5**

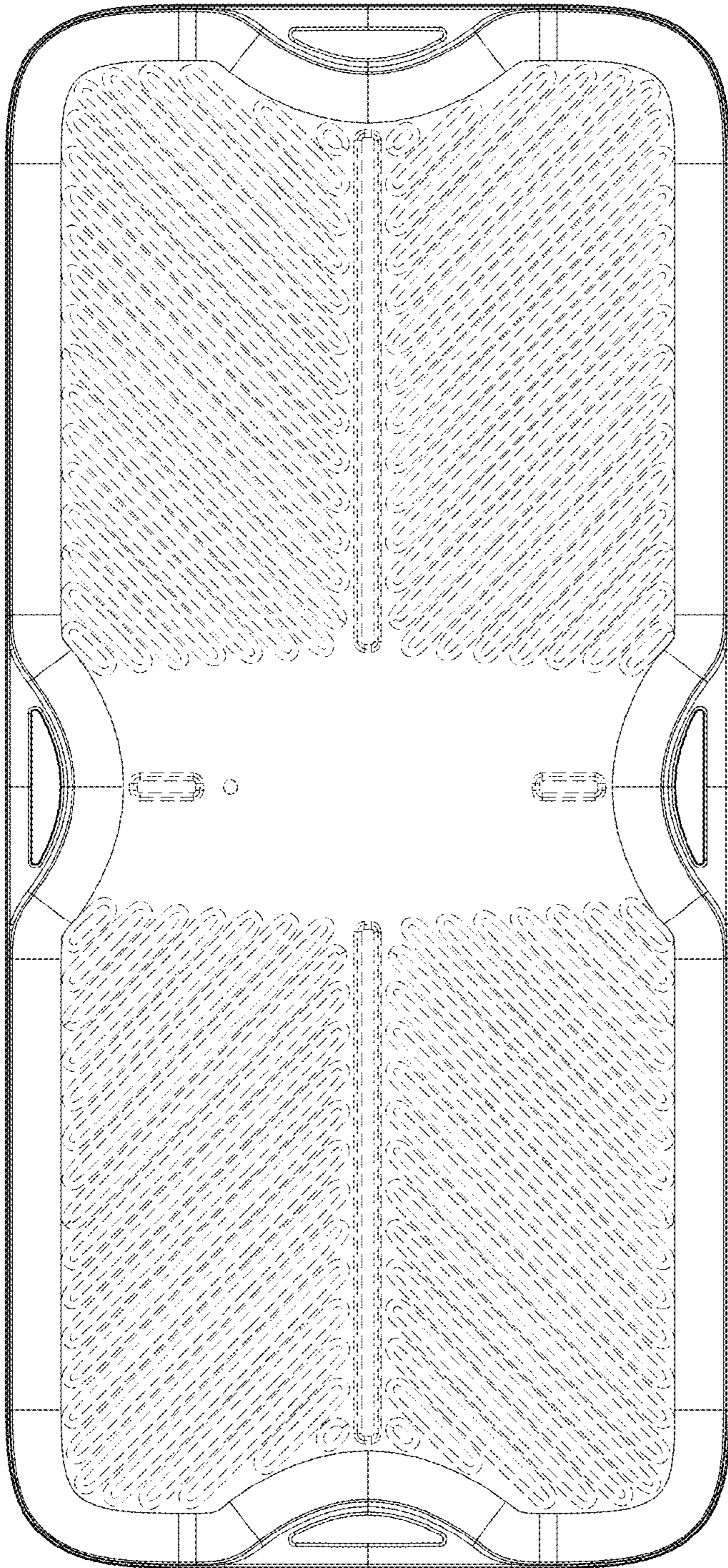


**Fig. 7**

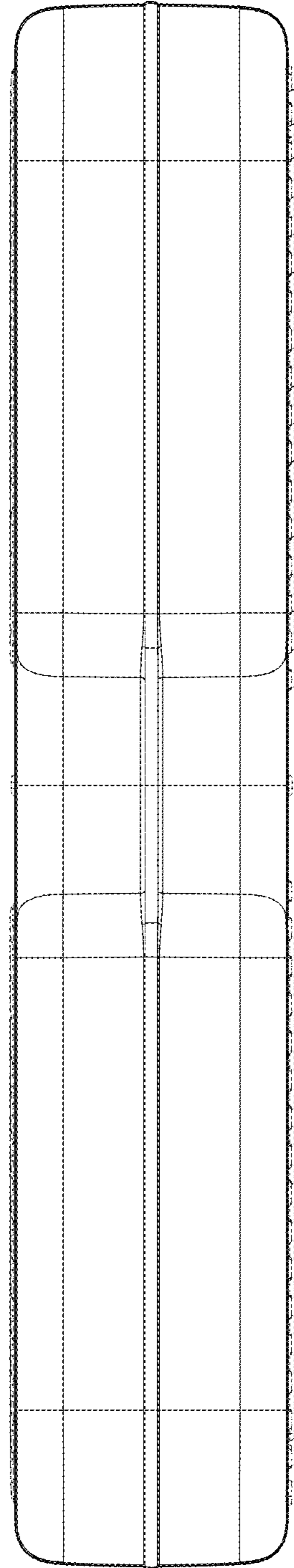


**Fig. 8**





**Fig. 9**



**Fig. 10**