



US00D985215S

(12) **United States Design Patent** (10) **Patent No.:** **US D985,215 S**
Vilbert et al. (45) **Date of Patent:** **** *May 2, 2023**

(54) **COLLAR FOR ANIMALS**
(71) Applicant: **AB7 SANTE S.A.S.U.**, Deyme (FR)
(72) Inventors: **Arnaud Vilbert**, Baziege (FR);
Giovanni Chabot, Toulouse (FR)

2006/0144345 A1* 7/2006 Kover, Jr. A01K 27/006
119/865
2007/0034165 A1* 2/2007 Yang A01K 27/009
119/863
2007/0204811 A1* 9/2007 Agee A01K 27/009
119/860
2020/0315139 A1* 10/2020 Chelle A01K 27/007

(*) Notice: This patent is subject to a terminal disclaimer.

(**) Term: **15 Years**

(21) Appl. No.: **35/509,533**

(22) Filed: **Feb. 14, 2020**

(80) **Hague Agreement Data**

Int. Filing Date: **Feb. 14, 2020**
Int. Reg. No.: **DM/208338**
Int. Reg. Date: **Feb. 14, 2020**
Int. Reg. Pub. Date: **Jun. 5, 2020**

(51) **LOC (14) Cl.** **30-04**

(52) **U.S. Cl.**
USPC **D30/152**

(58) **Field of Classification Search**
USPC D30/151, 152, 155, 199; D10/32, 104.1,
D10/104.2; D11/208, 218; D2/628, 894,
D2/895; D24/190
CPC A01K 27/001
See application file for complete search history.

(56) **References Cited**

U.S. PATENT DOCUMENTS

D322,871 S * 12/1991 Heyman D30/152
5,271,354 A * 12/1993 Barnett A01K 27/007
119/654
D473,483 S * 4/2003 Hardy D11/3
D476,767 S * 7/2003 Warden D30/152
D708,794 S * 7/2014 Monsalve D30/152
D720,248 S * 12/2014 Law D11/3
D799,758 S * 10/2017 Yohai-Giochais D30/152
D852,437 S * 6/2019 Chelle D30/152
D903,952 S * 12/2020 Oliveira D30/152

OTHER PUBLICATIONS

“Calm Paws: Calming Collar”. Found online Apr. 12, 2021 at facebook.com. Reference dated Jul. 3, 2017. Retrieved from https://www.facebook.com/calmpaws/photos/a.874918525972514/1097318893732475/?type=3&theater.*
“Disane: 100% Natural Flea Collar”. Found online Apr. 12, 2021 at amazon.co.uk. Reference dated Apr. 10, 2019. Retrieved from https://www.amazon.co.uk/DISANE-Protection-Formulated-Veterinary-Adjustable/dp/B079V1845R/ref=sr_1_131?.*
“Pride & Groom: Flea & Tick Collar”. Found online Apr. 12, 2021 at amazon.co.uk. Reference dated Feb. 1, 2018. Retrieved from https://www.amazon.co.uk/Pride-Groom-Universal-Treatment-Kitten/dp/B079HX93PY/ref=sr_1_147?.*
“Seresto Flea and Tick Collar”. Found online Apr. 12, 2021 at amazon.com. Reference dated Apr. 3, 2015. Retrieved from https://www.amazon.com/Bayer-Seresto-Collar-Large-2-Pack/dp/B00WMMMHNM/ref=sr_1_3?.*

* cited by examiner

Primary Examiner — Kendra Leslie Hamilton
(74) *Attorney, Agent, or Firm* — Benoit & Côté Inc.

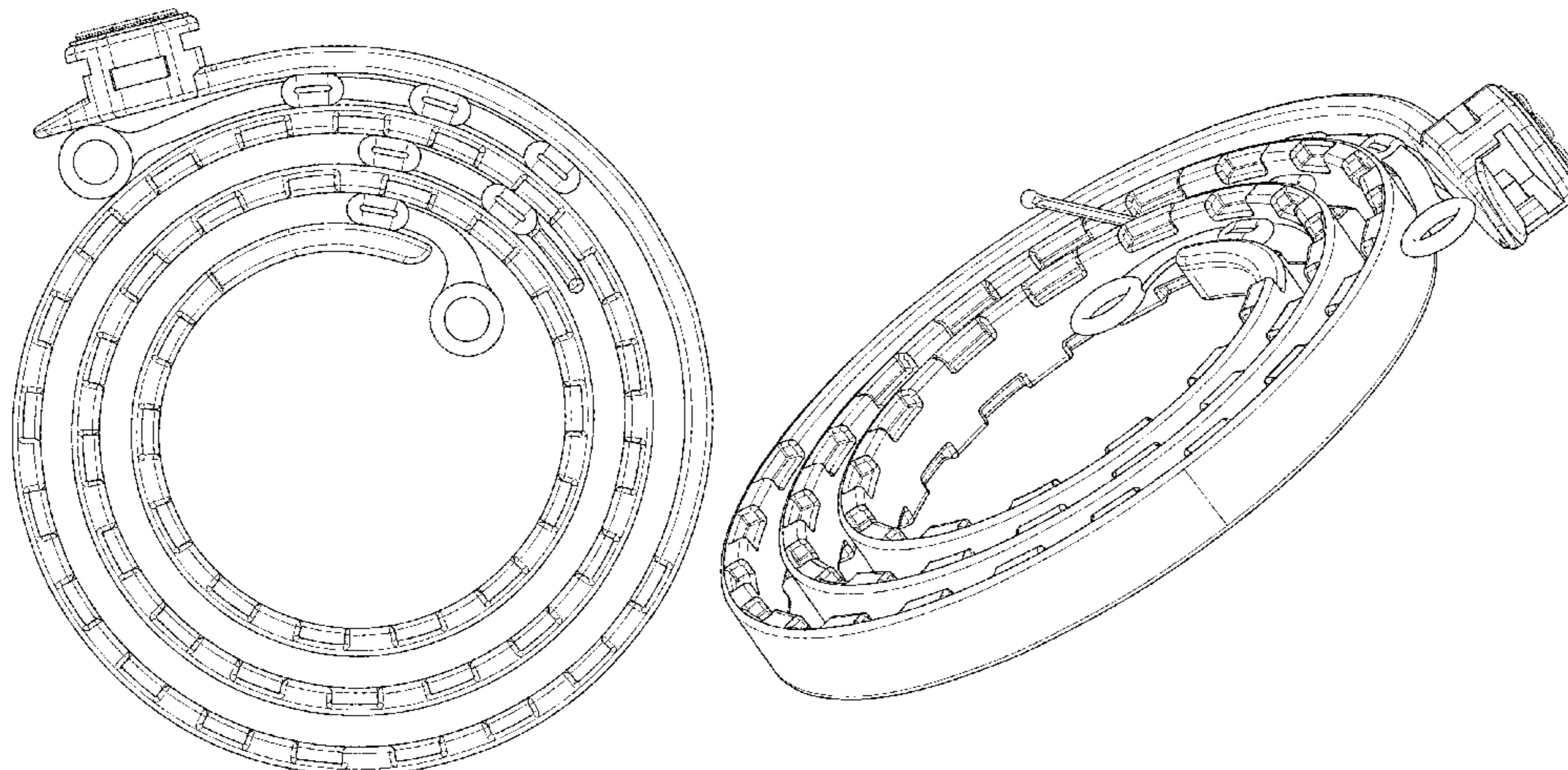
(57) **CLAIM**

The ornamental design for a collar for animals, as shown and described.

DESCRIPTION

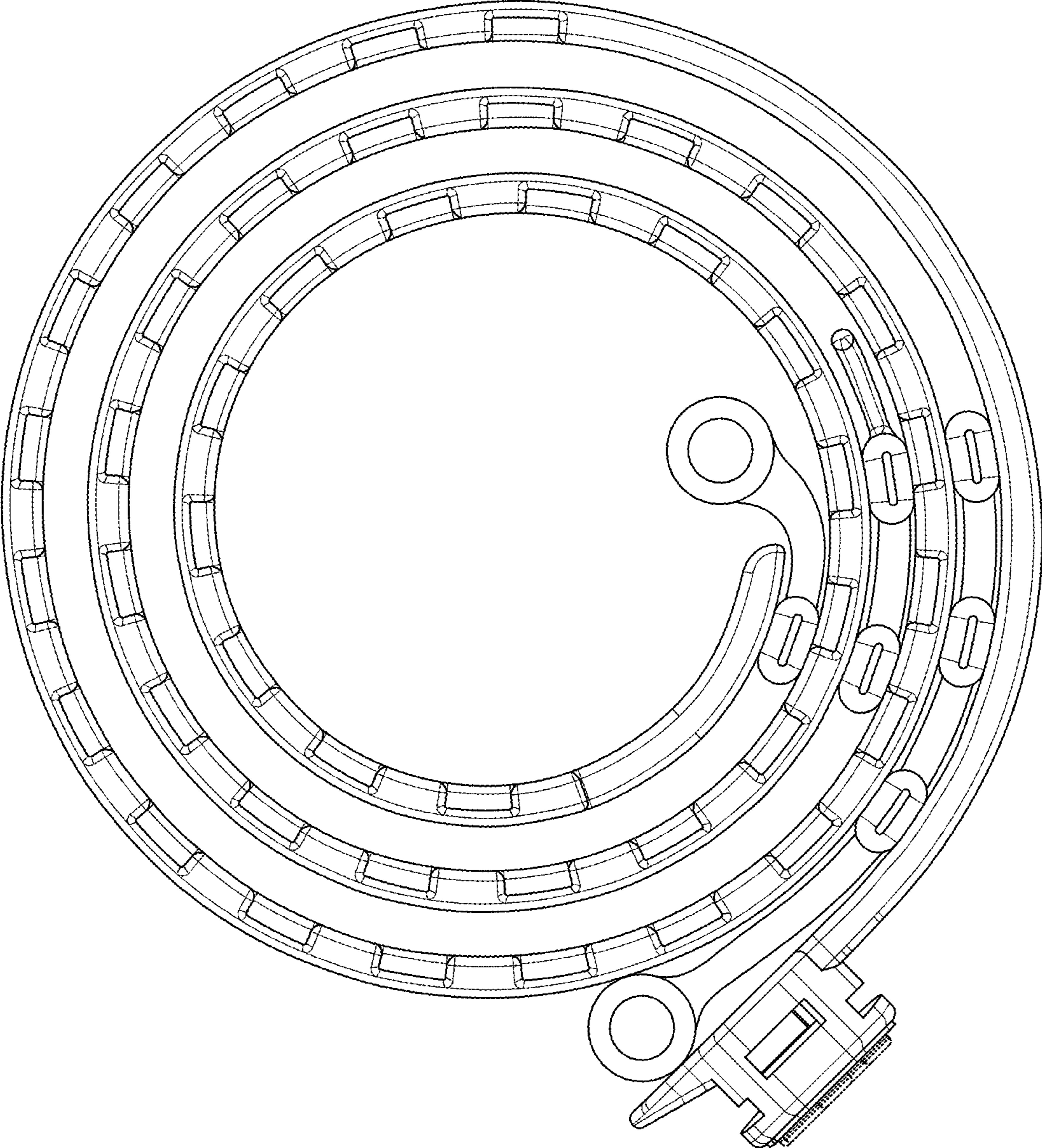
- 1.1: front elevation view
- 1.2: rear elevation view
- 1.3: left side elevation view
- 1.4: right side elevation view
- 1.5: bottom plan view
- 1.6: top plan view
- 1.7: front perspective view

(Continued)

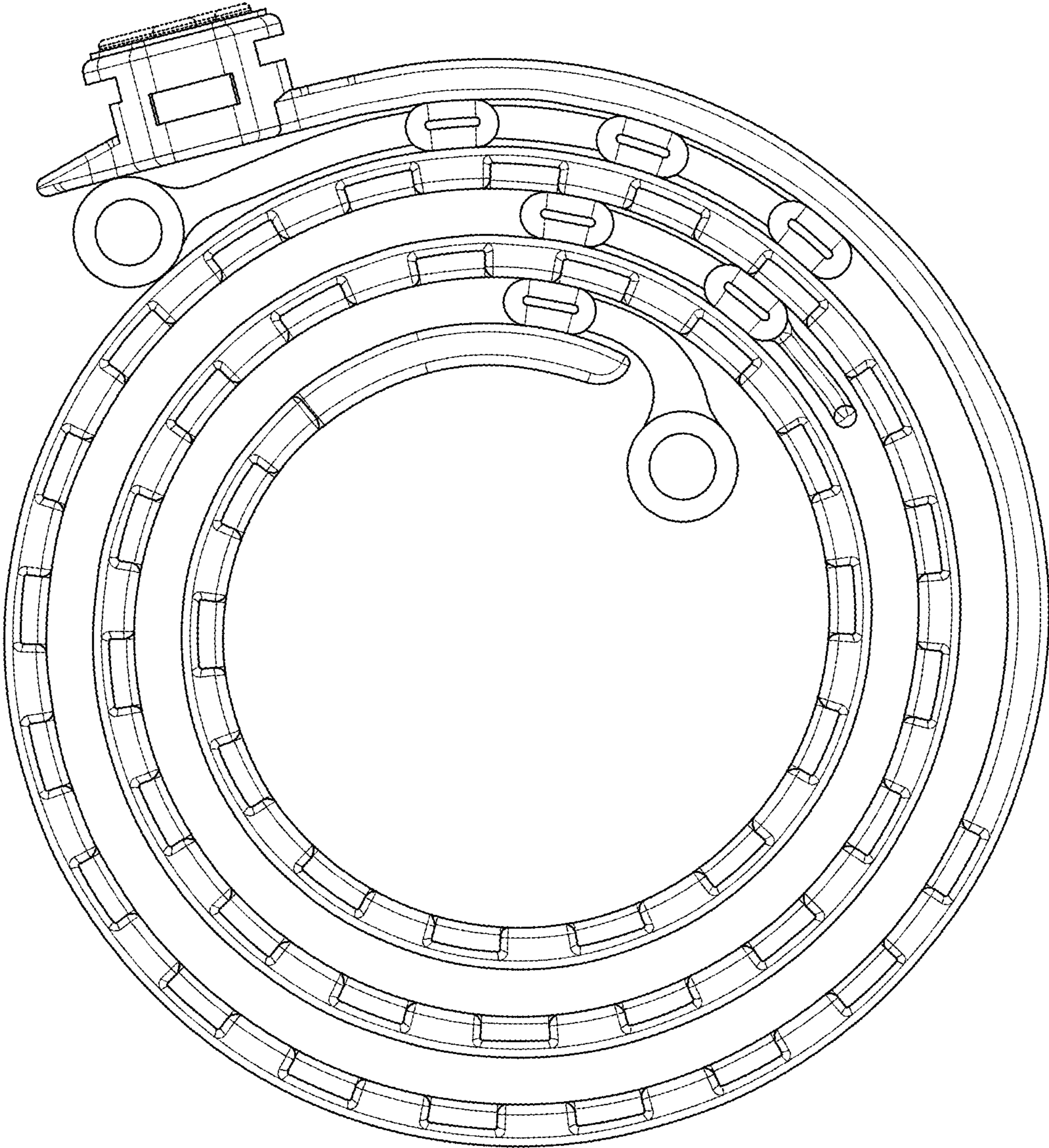


In the reproductions, the broken lines depict portions of the collar for animals that form no part of the claimed design.

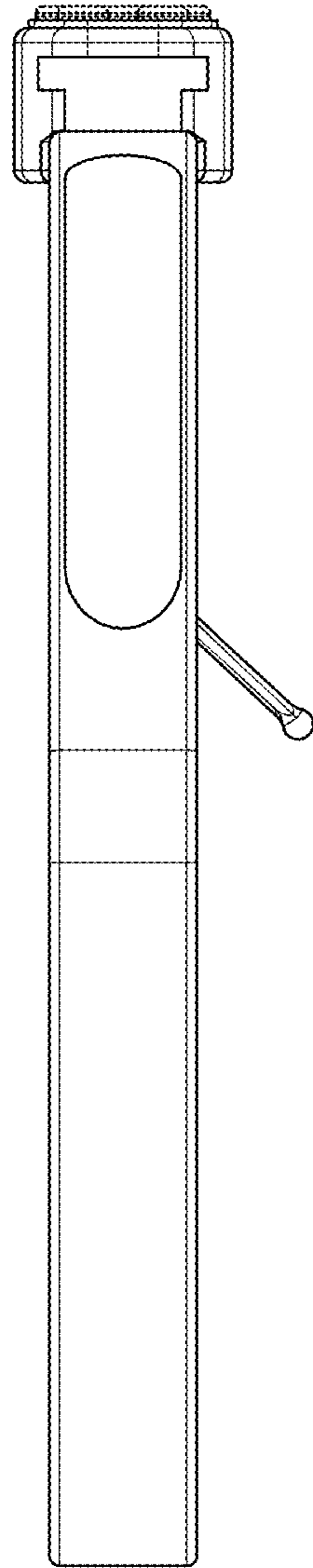
1 Claim, 7 Drawing Sheets



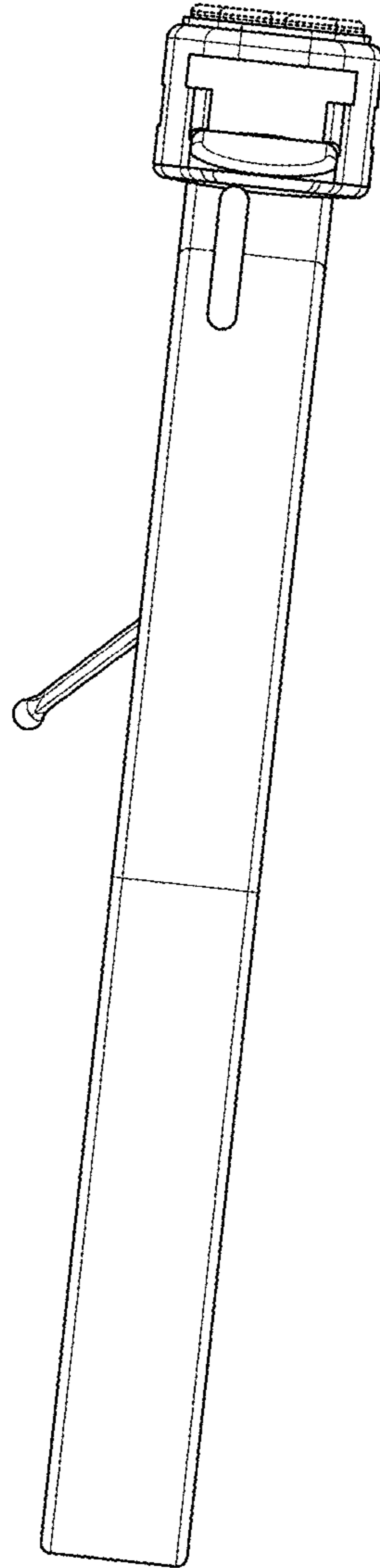
1.1



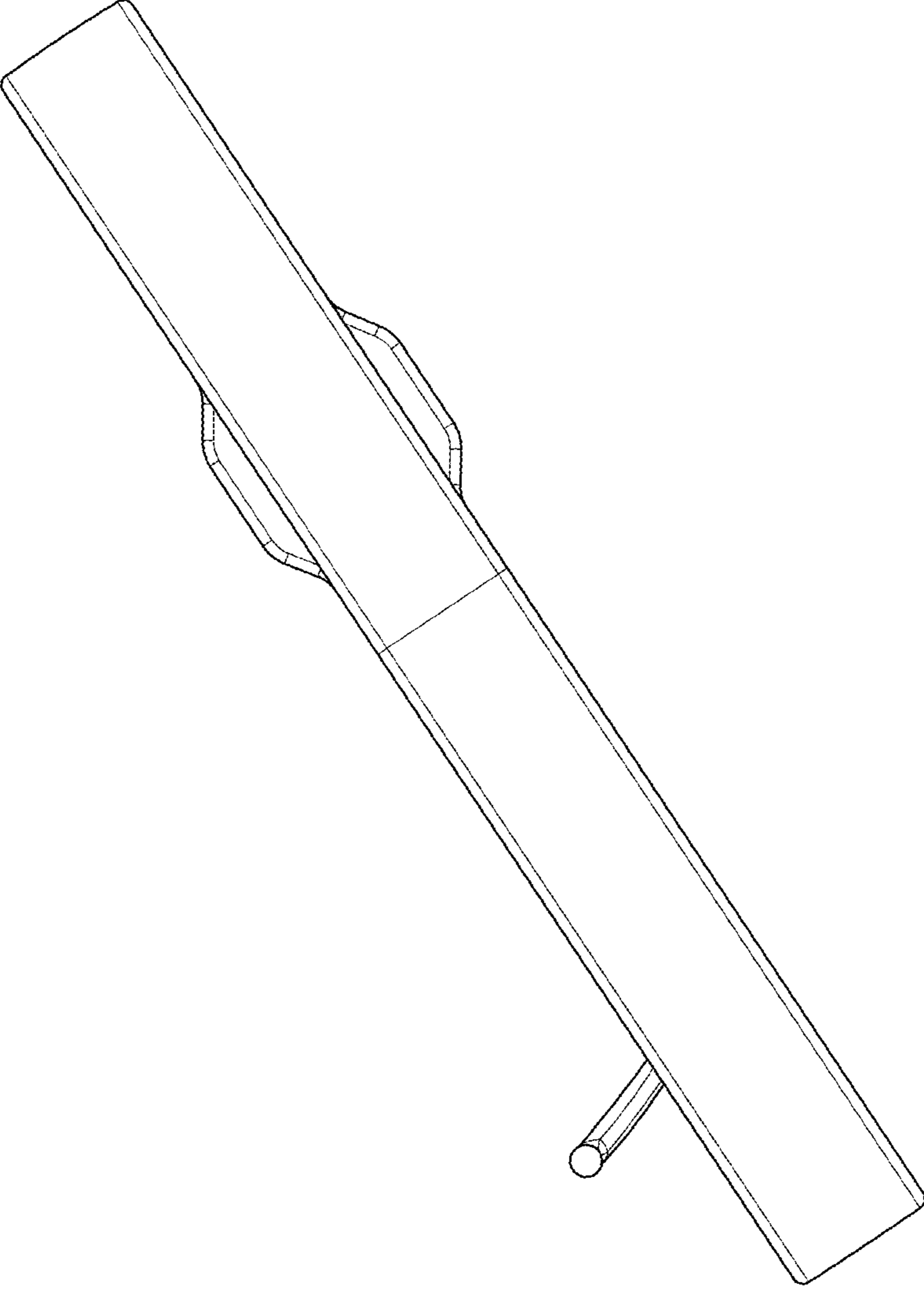
1.2



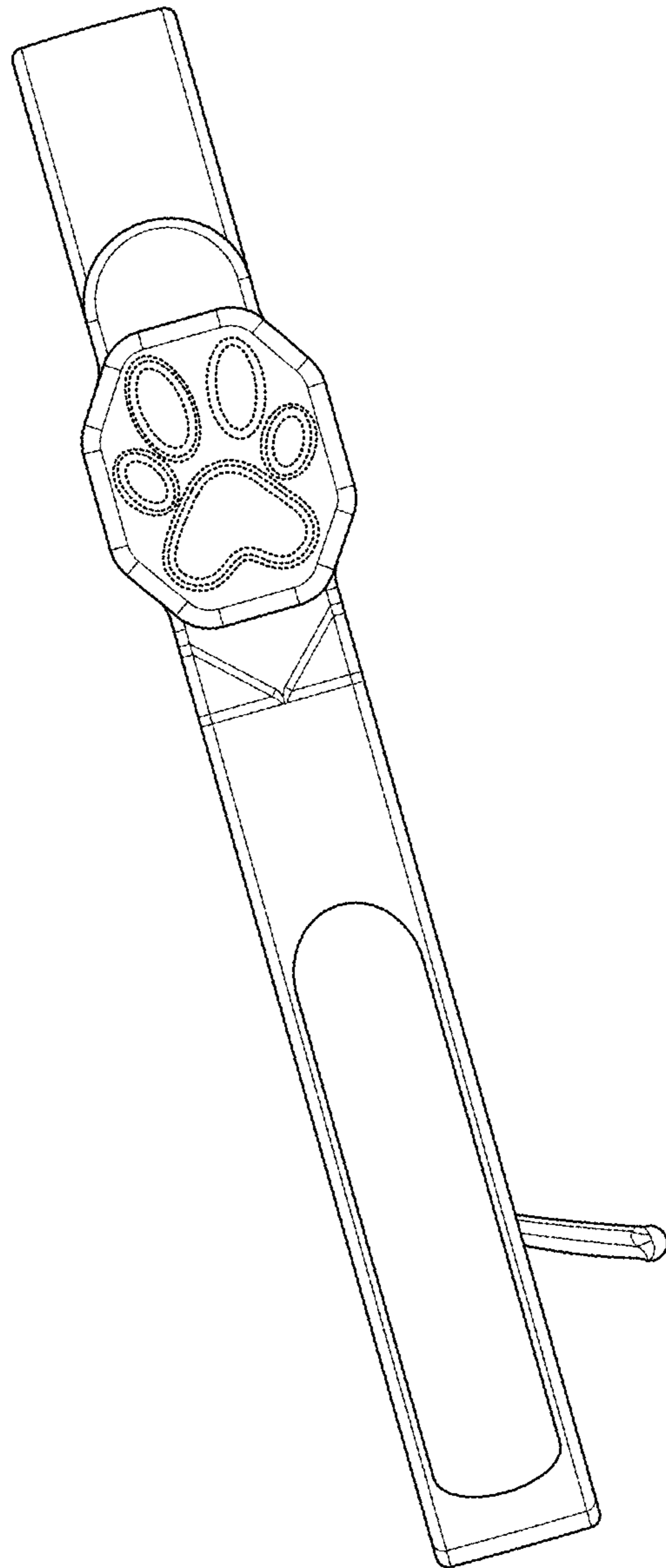
1.3



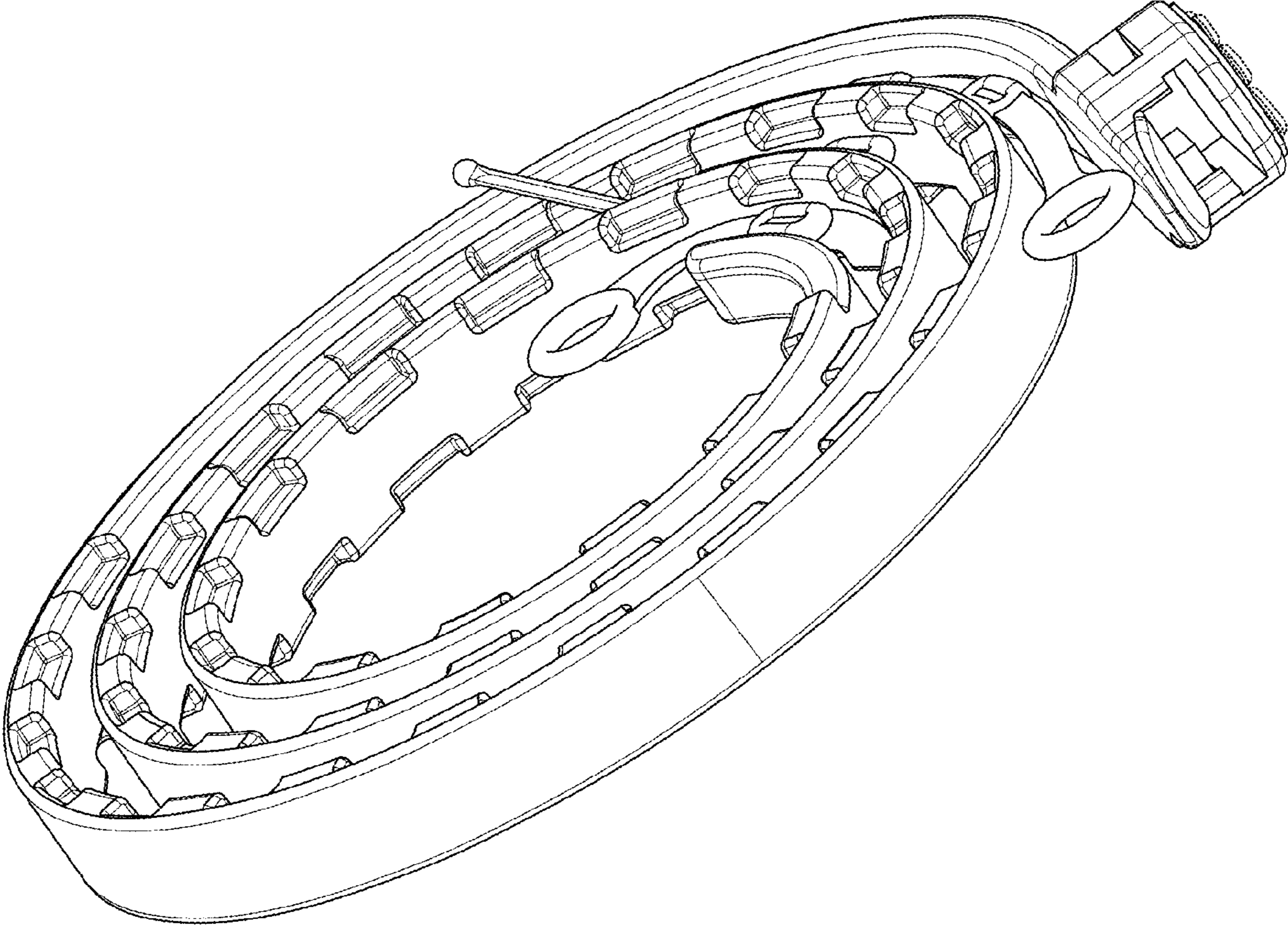
1.4



1.5



1.6



1.7