



US00D985214S

(12) **United States Design Patent** (10) **Patent No.:** **US D985,214 S**
Pan (45) **Date of Patent:** **** May 2, 2023**

(54) **DOG HARNESS**

FOREIGN PATENT DOCUMENTS

(71) Applicant: **Jinhua Beirui Pet Products Co., Ltd.**,
Jinhua (CN)

CN 302792288 * 4/2014
CN 304713015 * 7/2018
CN 307588791 * 10/2022

(72) Inventor: **Qihua Pan**, Hangzhou (CN)

(73) Assignee: **Jinhua Beirui Pet Products Co., Ltd.**,
Jinhua (CN)

(**) Term: **15 Years**

(21) Appl. No.: **29/882,206**

(22) Filed: **Jan. 12, 2023**

(51) **LOC (14) Cl.** **30-04**

(52) **U.S. Cl.**
USPC **D30/152**

(58) **Field of Classification Search**
USPC D2/627; D10/72; D11/3; D29/101.1,
D29/101.3, 101.4, 120.1; D30/144, 151,
D30/152, 153, 199

CPC A01K 25/00; A01K 27/00; A01K 27/001;
A01K 27/002; A01K 27/003; A01K
27/004; A01K 27/005

See application file for complete search history.

(56) **References Cited**

U.S. PATENT DOCUMENTS

D753,350 S * 4/2016 Thitz D30/151
D862,002 S * 10/2019 Wu D30/152
D862,803 S * 10/2019 Yun D30/152
D867,686 S * 11/2019 Yun D30/152
D878,684 S * 3/2020 Zimmermann D30/152
D883,581 S * 5/2020 Daly D30/152
D889,755 S * 7/2020 Dusev D30/152
D918,493 S * 5/2021 Chang D30/152
D919,197 S * 5/2021 Guo D30/152
D936,299 S * 11/2021 Wu D30/152
D964,664 S * 9/2022 Huang D30/152
D970,825 S 11/2022 Zhou
D971,520 S * 11/2022 Huang D30/152
2012/0160184 A1 * 6/2012 Lichvar A01K 27/002
119/725
2019/0124890 A1 * 5/2019 Kath A01K 1/0263

OTHER PUBLICATIONS

Slowton Dog Car Harness Plus Connector Strap, available in Amazon.com, date first available Sep. 1, 2021 [online], [site visited Jan. 25, 2023], Available from the internet URL: <https://www.amazon.com/dp/B09DYFHGDS?th=1> (Year: 2021).*

Pawaboo Dog Safety Vest Harness, available in Amazon.ca, date first available Dec. 22, 2020 [online], [site visited Jan. 25, 2023], Available from the internet URL: <https://www.amazon.ca/Pawaboo-Harness-Vehicle-Adjustable-Traveling/dp/B08R5PNJP5> (Year: 2020).*

* cited by examiner

Primary Examiner — Vy N Koenig

Assistant Examiner — Elizabeth Anne Glassberg

(57) **CLAIM**

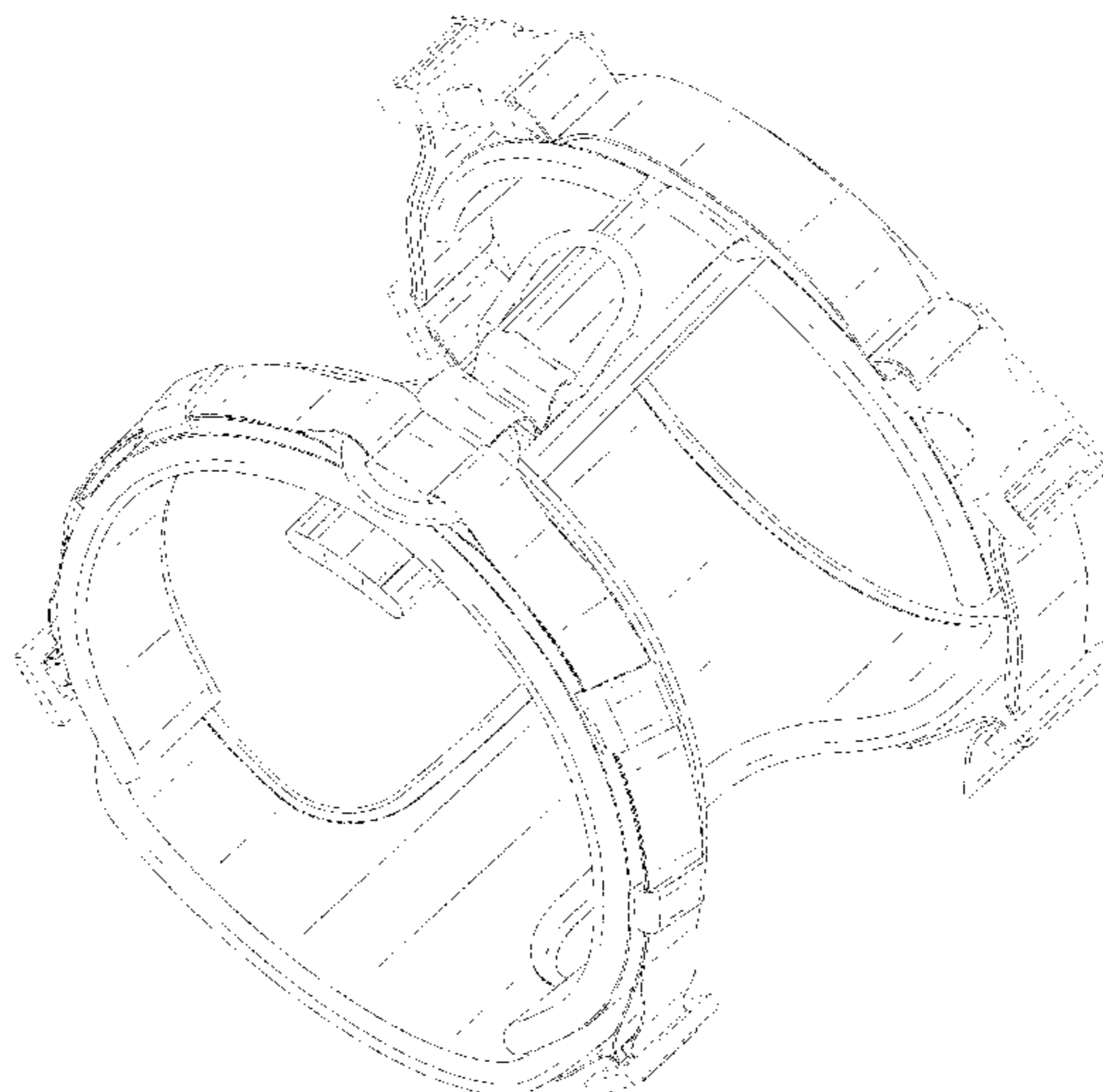
The ornamental design for a dog harness, as shown and described.

DESCRIPTION

FIG. 1 is a front perspective view of a dog harness, showing my new design;
FIG. 2 is a rear perspective view thereof;
FIG. 3 is a front view thereof;
FIG. 4 is a rear view thereof;
FIG. 5 is a left side view thereof;
FIG. 6 is a right side view thereof;
FIG. 7 is a top view thereof; and,
FIG. 8 is a bottom view thereof.

The broken lines in the drawings illustrate the portions of the dog harness, which form no part of the claimed design.

1 Claim, 8 Drawing Sheets



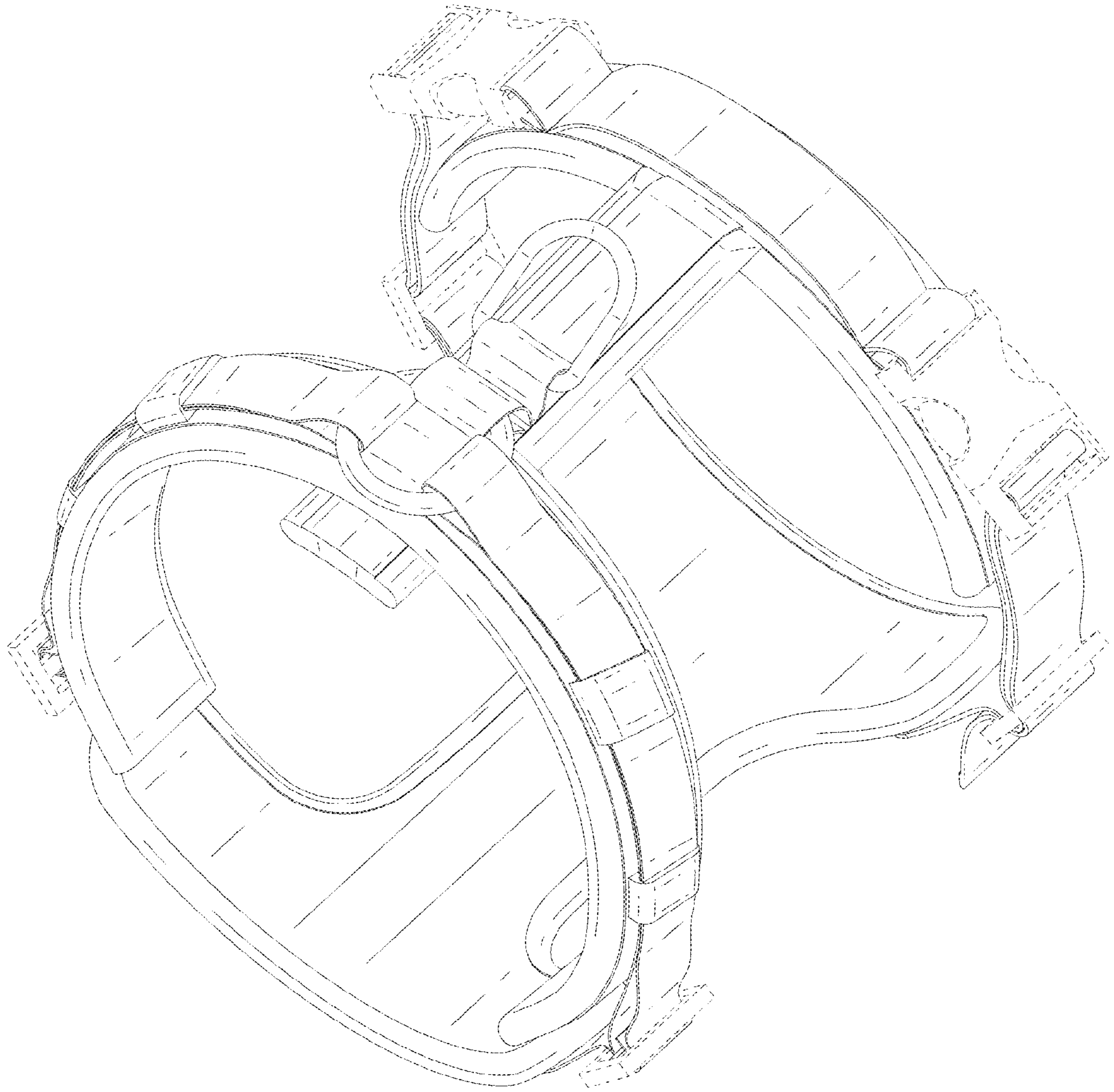


FIG. 1

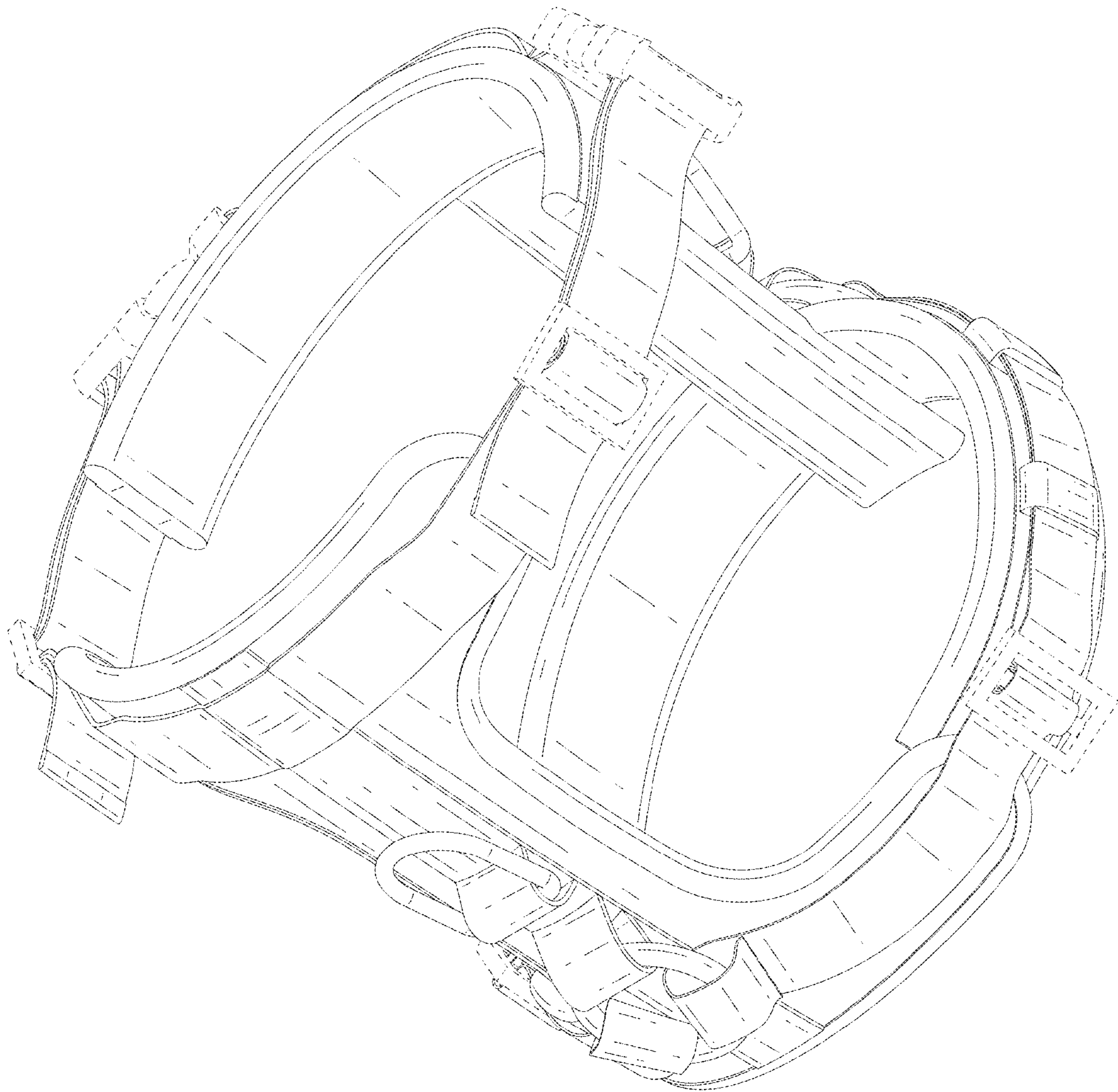


FIG. 2

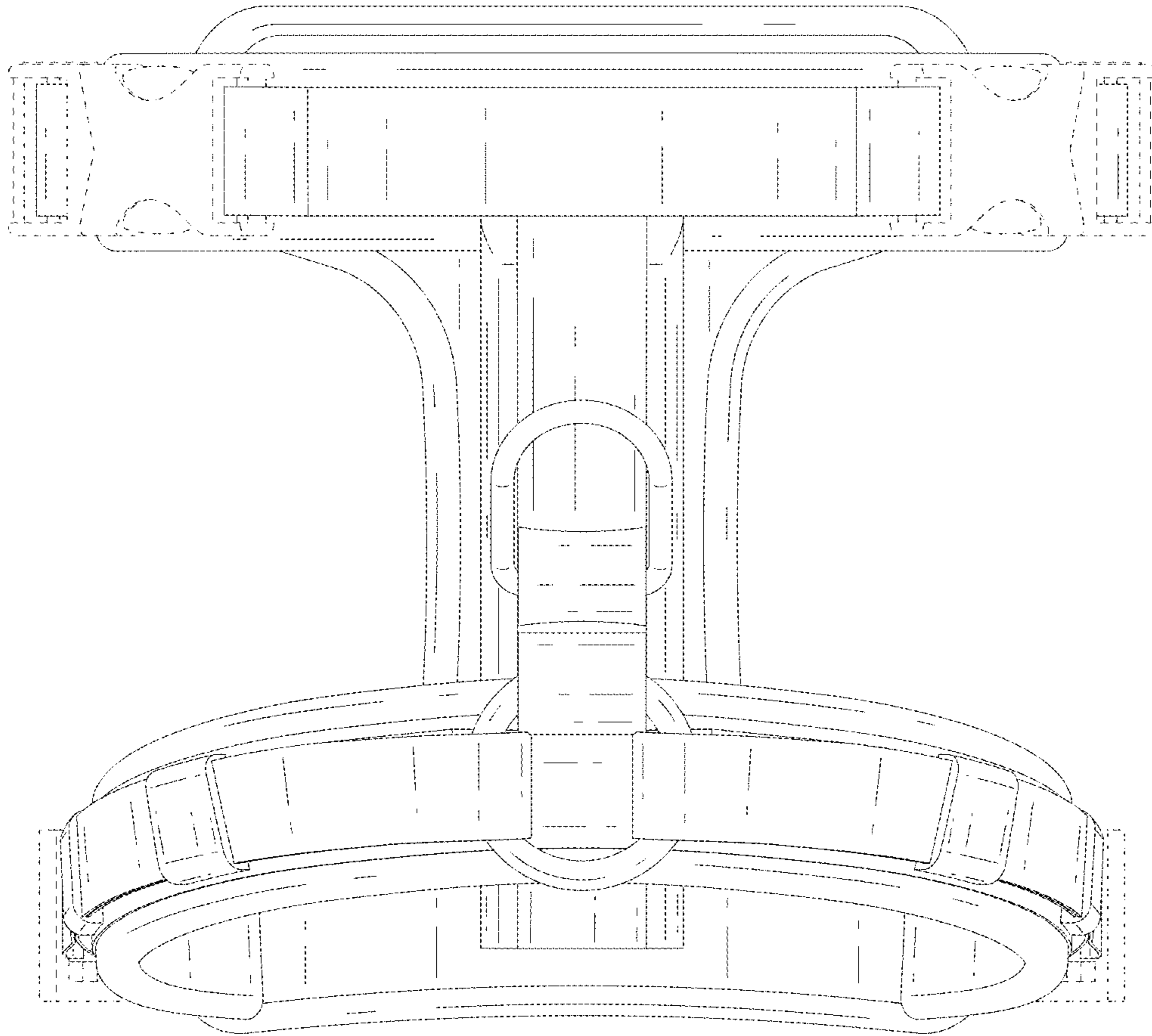


FIG. 3

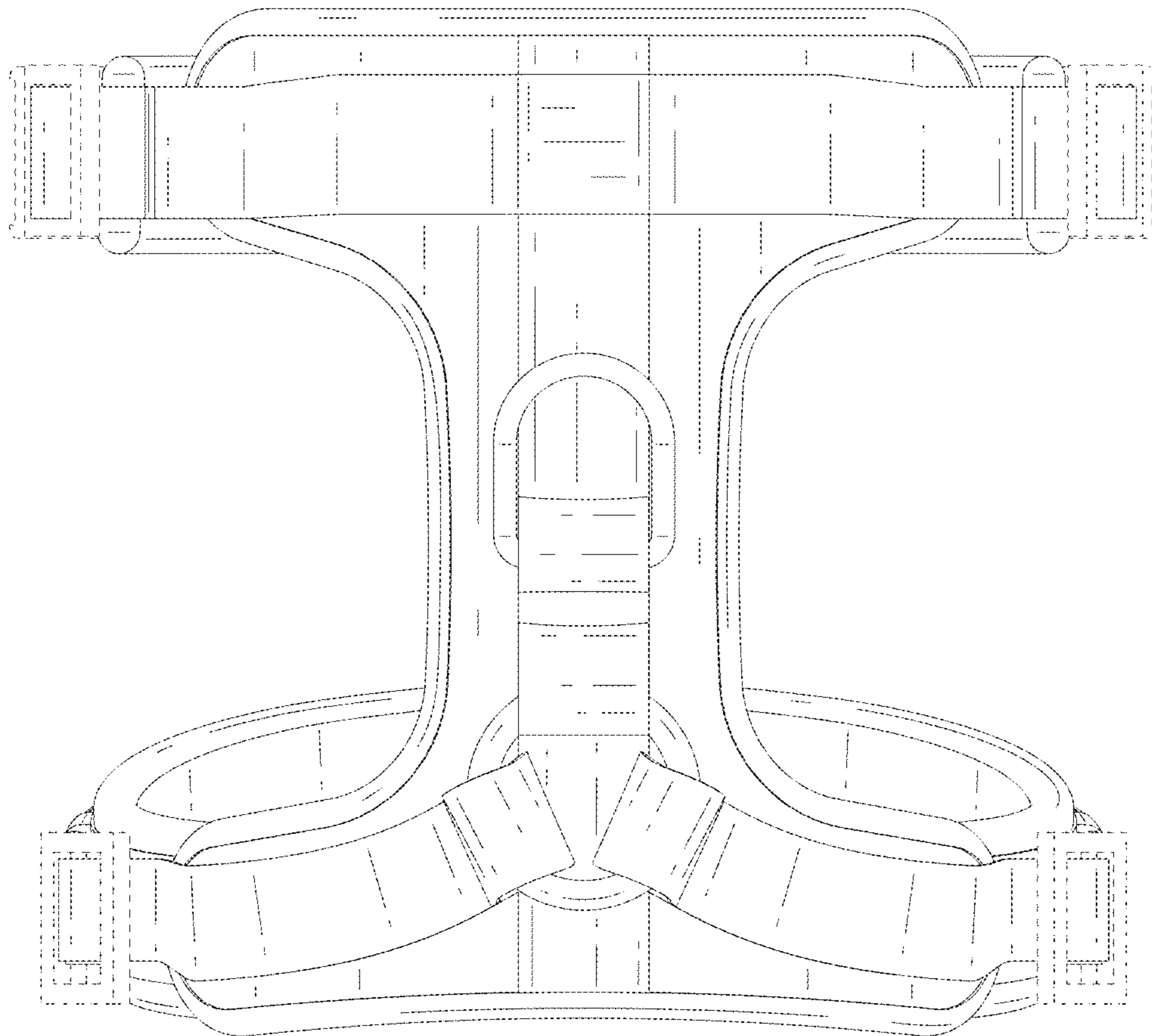


FIG. 4

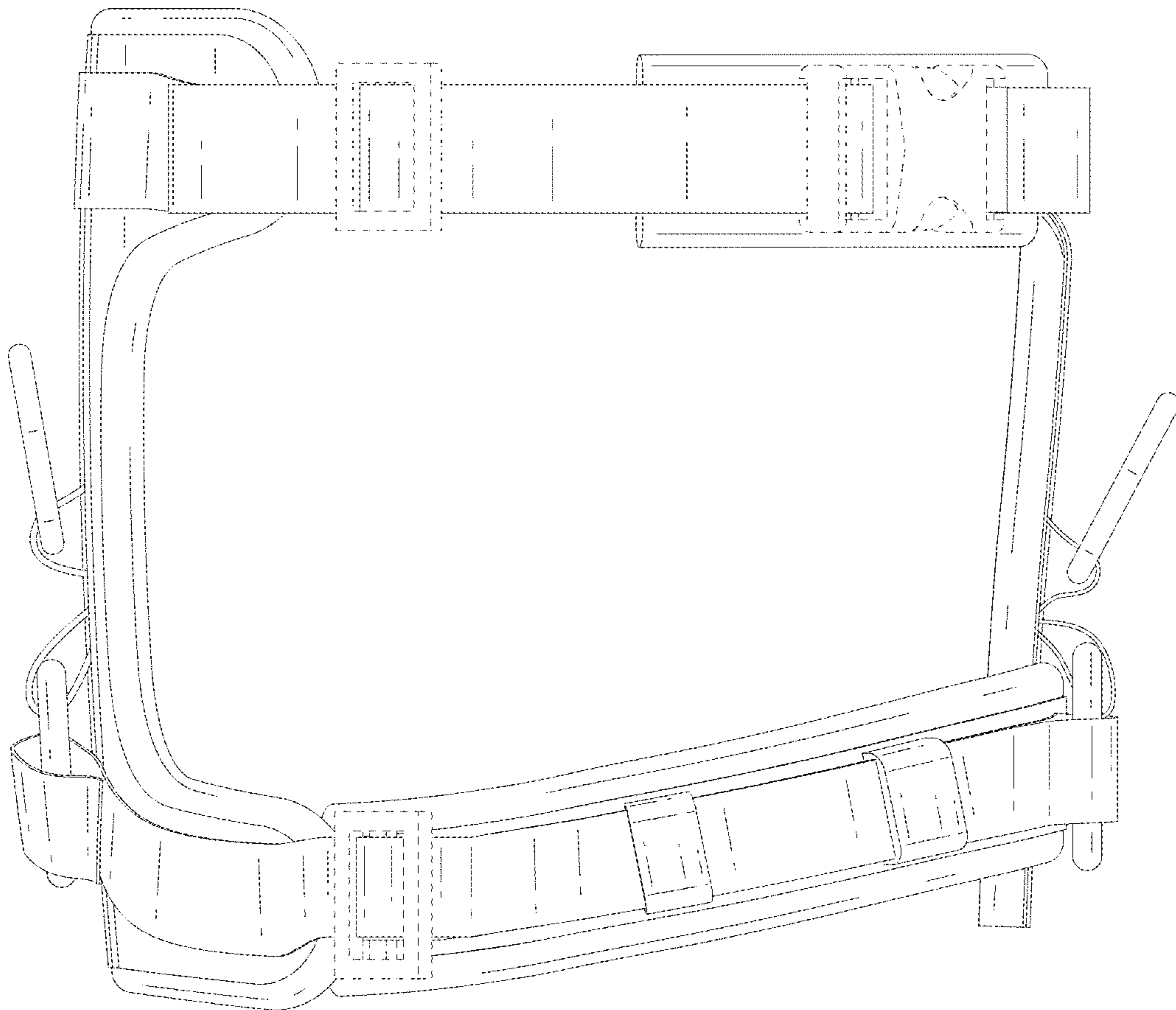


FIG. 5

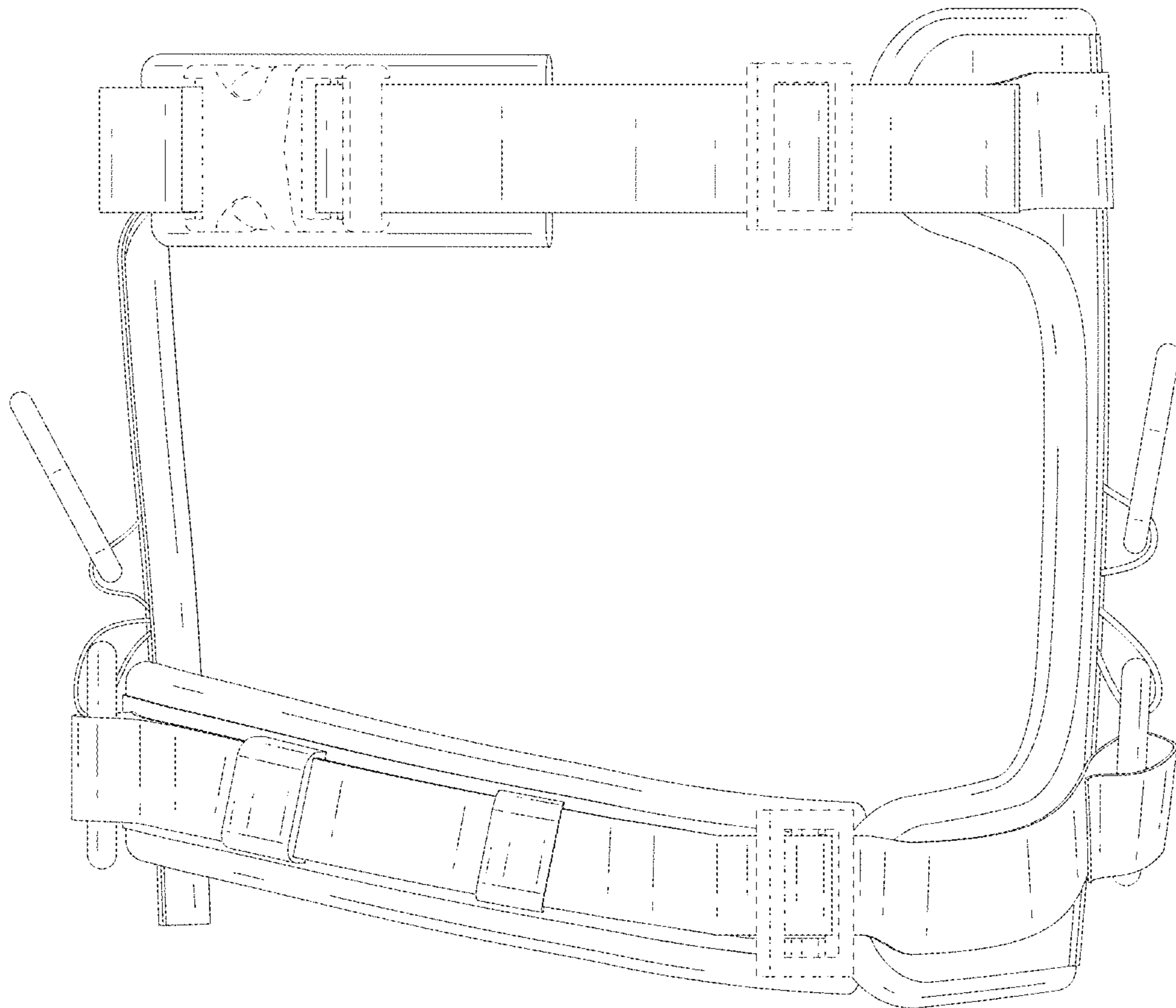


FIG. 6

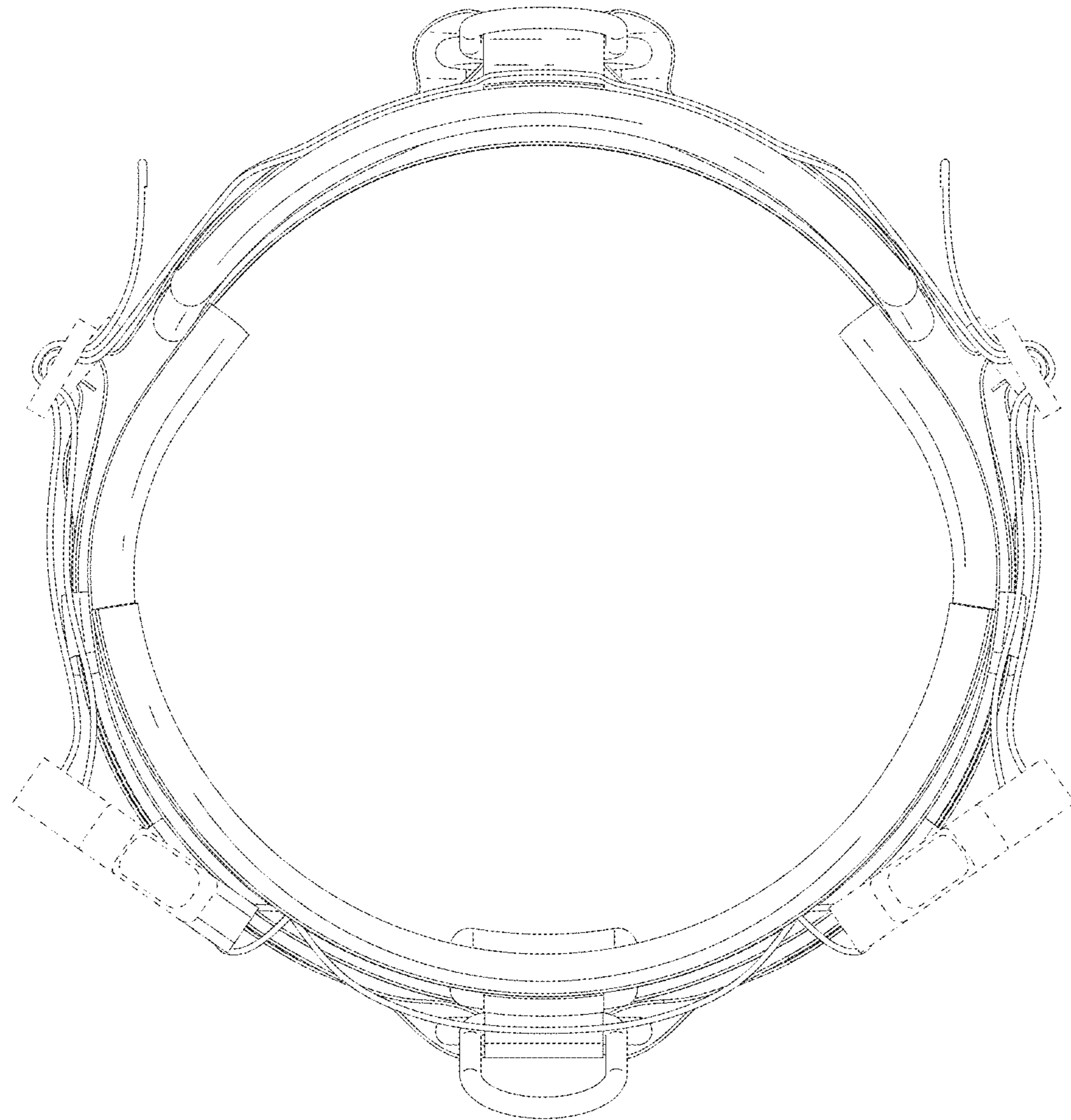


FIG. 7

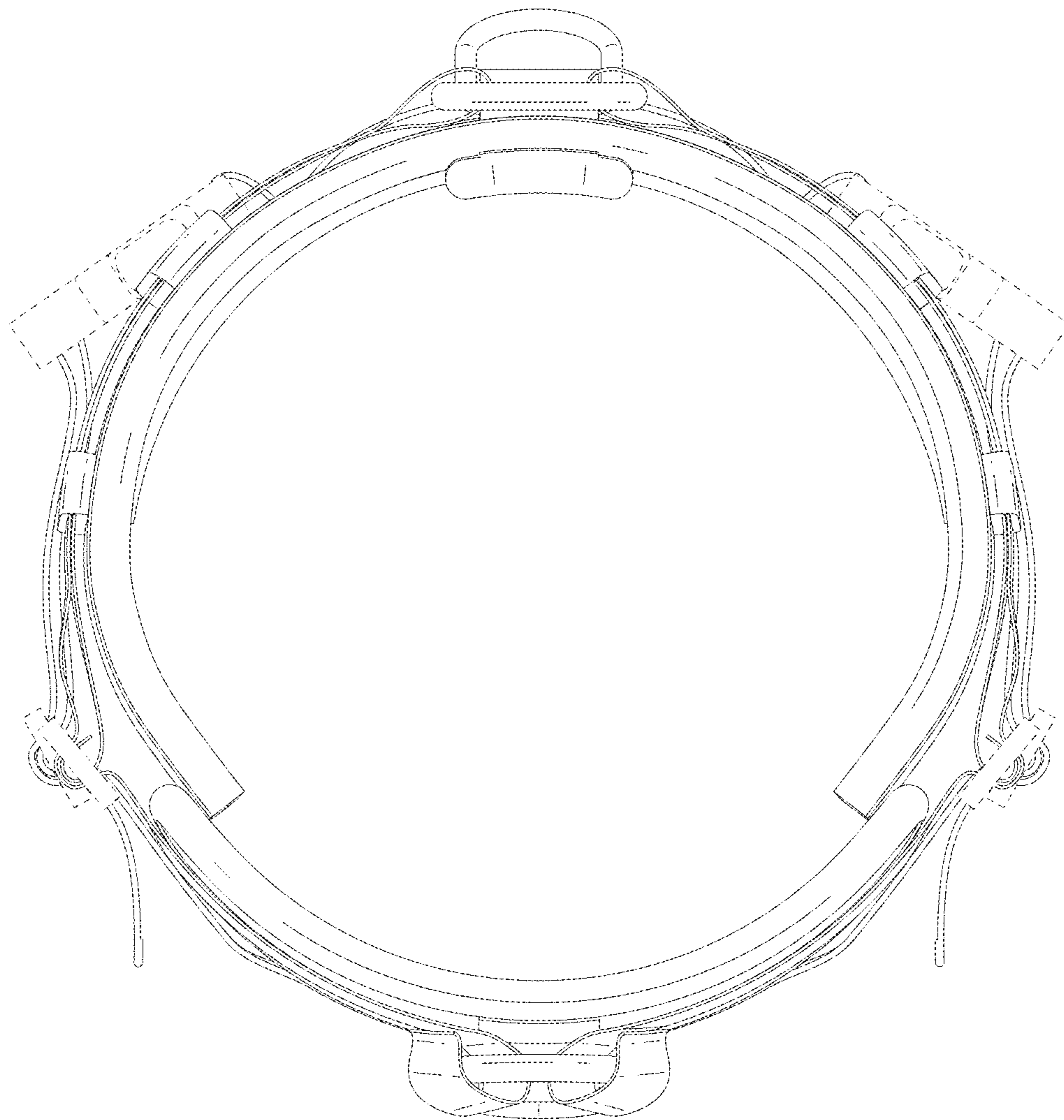


FIG. 8