



US00D985211S

(12) **United States Design Patent** (10) **Patent No.:** **US D985,211 S**
Qiu (45) **Date of Patent:** **** May 2, 2023**

(54) **PET CARRIER**
(71) Applicant: **Conghui Qiu**, Guangdong (CN)
(72) Inventor: **Conghui Qiu**, Guangdong (CN)
(**) Term: **15 Years**
(21) Appl. No.: **29/849,214**
(22) Filed: **Aug. 9, 2022**
(51) **LOC (14) Cl.** **30-02**
(52) **U.S. Cl.**
USPC **D30/109**
(58) **Field of Classification Search**
USPC D30/108-109; D3/201, 203.1, 203.7,
D3/235, 242, 243, 245-246, 303, 902,
D3/904
CPC A45C 3/00; A45C 2003/008; A45C
2003/007; A45C 2003/002; A45F 3/00;
A45F 3/02; A01K 1/0254; A01K 1/0236;
A01K 1/0281; A01K 1/034; A01K 1/00;
A01K 1/02
See application file for complete search history.

(56) **References Cited**
U.S. PATENT DOCUMENTS
D398,083 S * 9/1998 Martz D3/273
D548,408 S * 8/2007 Martz D3/273
D649,719 S * 11/2011 Siklosi D30/109
D662,263 S * 6/2012 Chau D30/109
D705,497 S * 5/2014 Renforth D30/108
D707,896 S * 6/2014 Renforth D30/108
D722,728 S * 2/2015 Renforth D30/109
D800,451 S * 10/2017 Collins D3/254
D889,827 S * 7/2020 Wark A45C 3/00
D3/255
10,772,288 B1 * 9/2020 Sandiford A01K 1/0272
D903,204 S 11/2020 Li
D954,356 S 6/2022 Lin

2003/0127060 A1* 7/2003 Yeung A01K 1/0254
119/497
2008/0066689 A1* 3/2008 Martz A01K 1/0254
119/497
2008/0072837 A1* 3/2008 Redzisz A01K 1/0254
119/474
2008/0184941 A1* 8/2008 Hai A01K 1/0254
119/497
2008/0216760 A1* 9/2008 Cannon A01K 1/0254
119/497

(Continued)

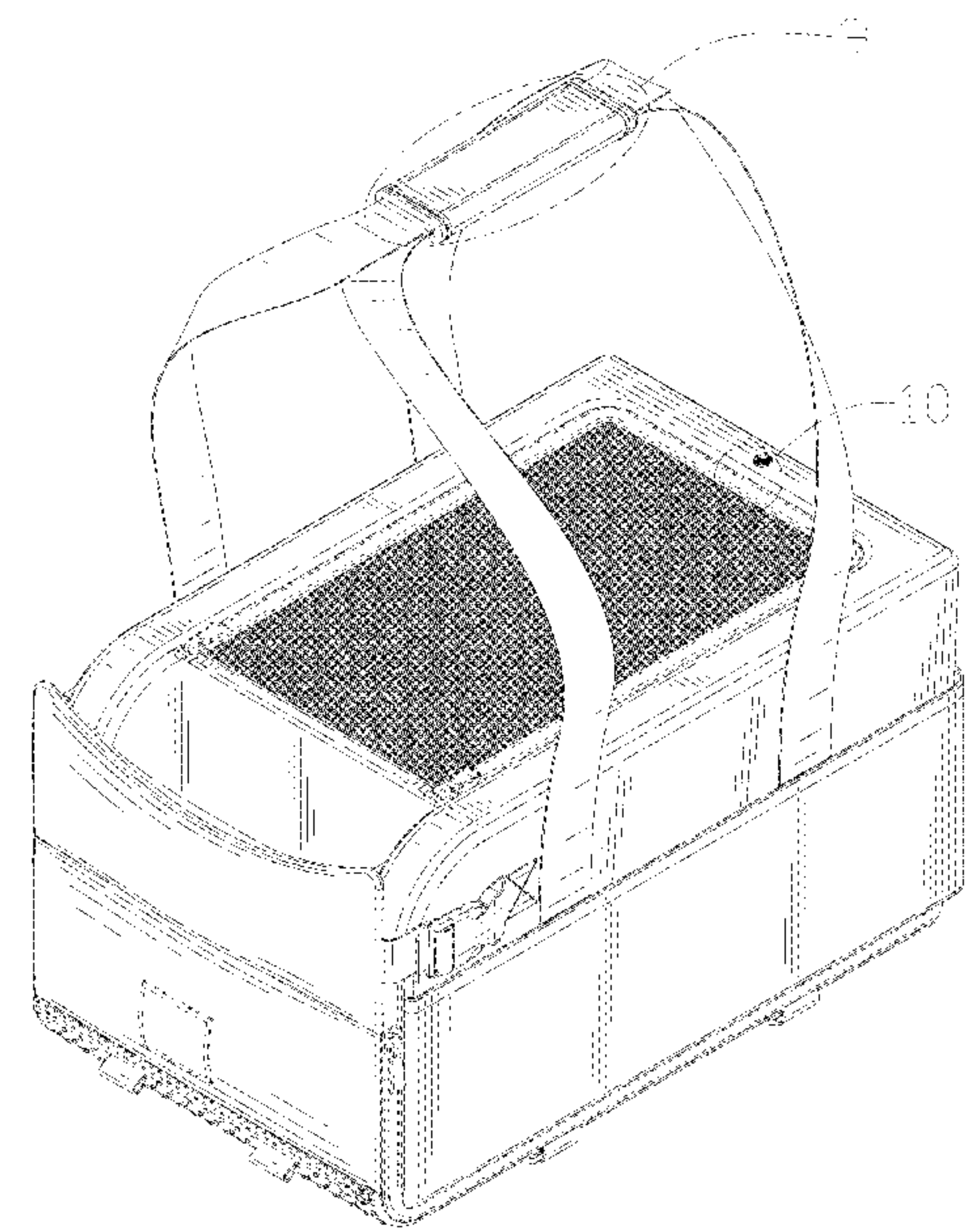
Primary Examiner — Aula Soroush

(57) **CLAIM**
The ornamental design for a pet carrier, as shown and described.

DESCRIPTION

FIG. 1 is a front, left and top perspective view of a pet carrier, showing my design.
FIG. 2 is a rear, right and bottom perspective view thereof.
FIG. 3 is a front elevation view thereof.
FIG. 4 is a rear elevation view thereof.
FIG. 5 is a left side elevation view thereof.
FIG. 6 is a right side elevation view thereof.
FIG. 7 is a top plan view thereof.
FIG. 8 is a bottom plan view thereof.
FIG. 9 is a partial enlarged view of an area labeled 9 in FIG. 1.
FIG. 10 is a partial enlarged view of an area labeled 10 in FIG. 1; and,
FIG. 11 is a partial enlarged view of an area labeled 11 in FIG. 2.
The broken lines shown in the drawings are included for the purpose of illustrating portions of the pet carrier that form no part of the claimed design. In addition, the dot-dash broken lines in FIGS. 1-2 and 9-11 depict the boundaries of the enlargements that form no part of the claimed design.

1 Claim, 11 Drawing Sheets



(56)

References Cited

U.S. PATENT DOCUMENTS

2009/0205578 A1* 8/2009 Alves A01K 1/0107
119/454
2010/0000472 A1* 1/2010 Siklosi A01K 1/0272
119/497
2010/0313824 A1* 12/2010 Northrop A01K 1/0254
119/496
2012/0186533 A1* 7/2012 Lu A01K 1/0254
119/497
2014/0230748 A1* 8/2014 Renforth A01K 1/0254
119/496
2014/0261219 A1* 9/2014 Renforth A01K 1/0157
119/482
2017/0265430 A1* 9/2017 Renforth A01K 1/0236

* cited by examiner

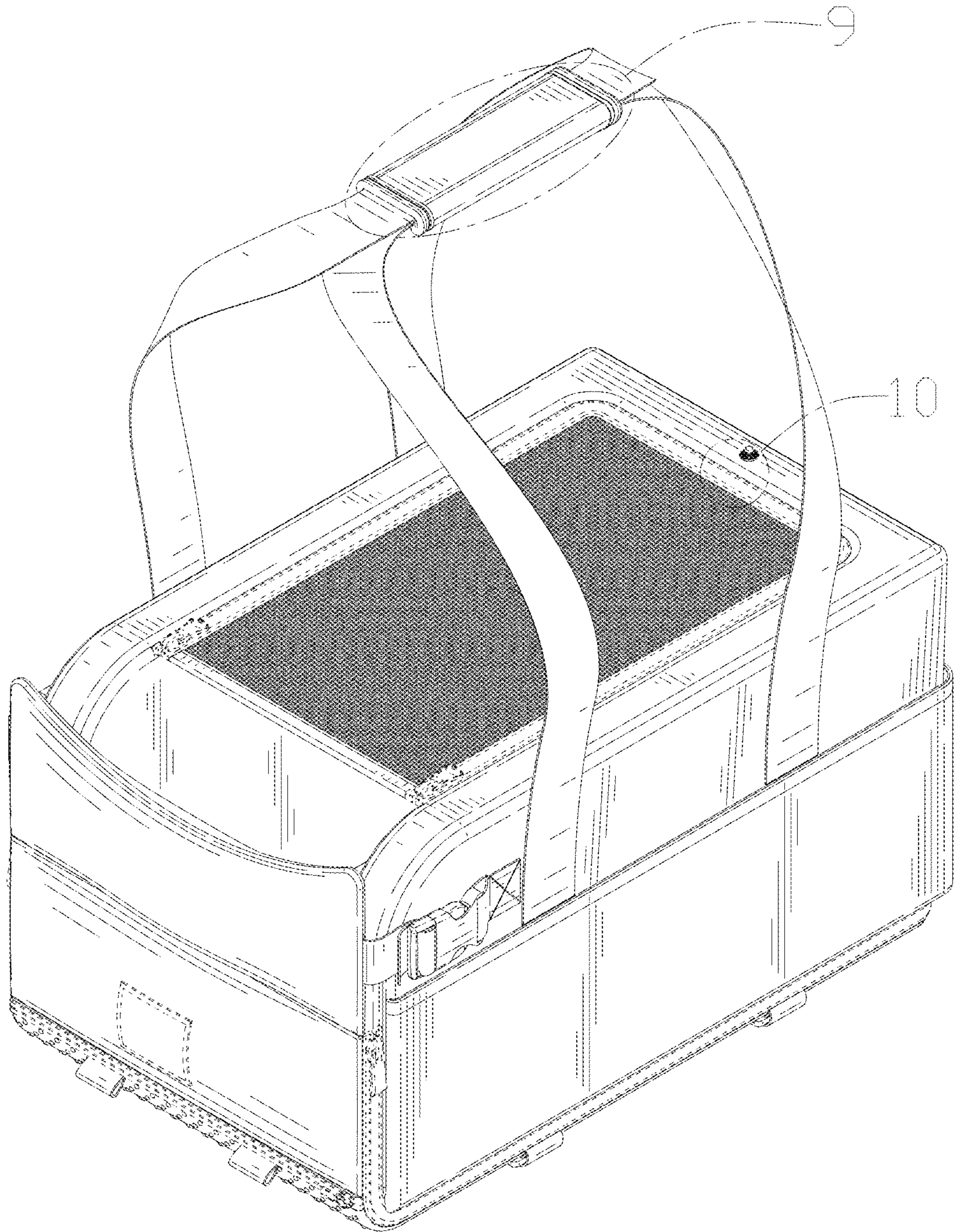


FIG. 1

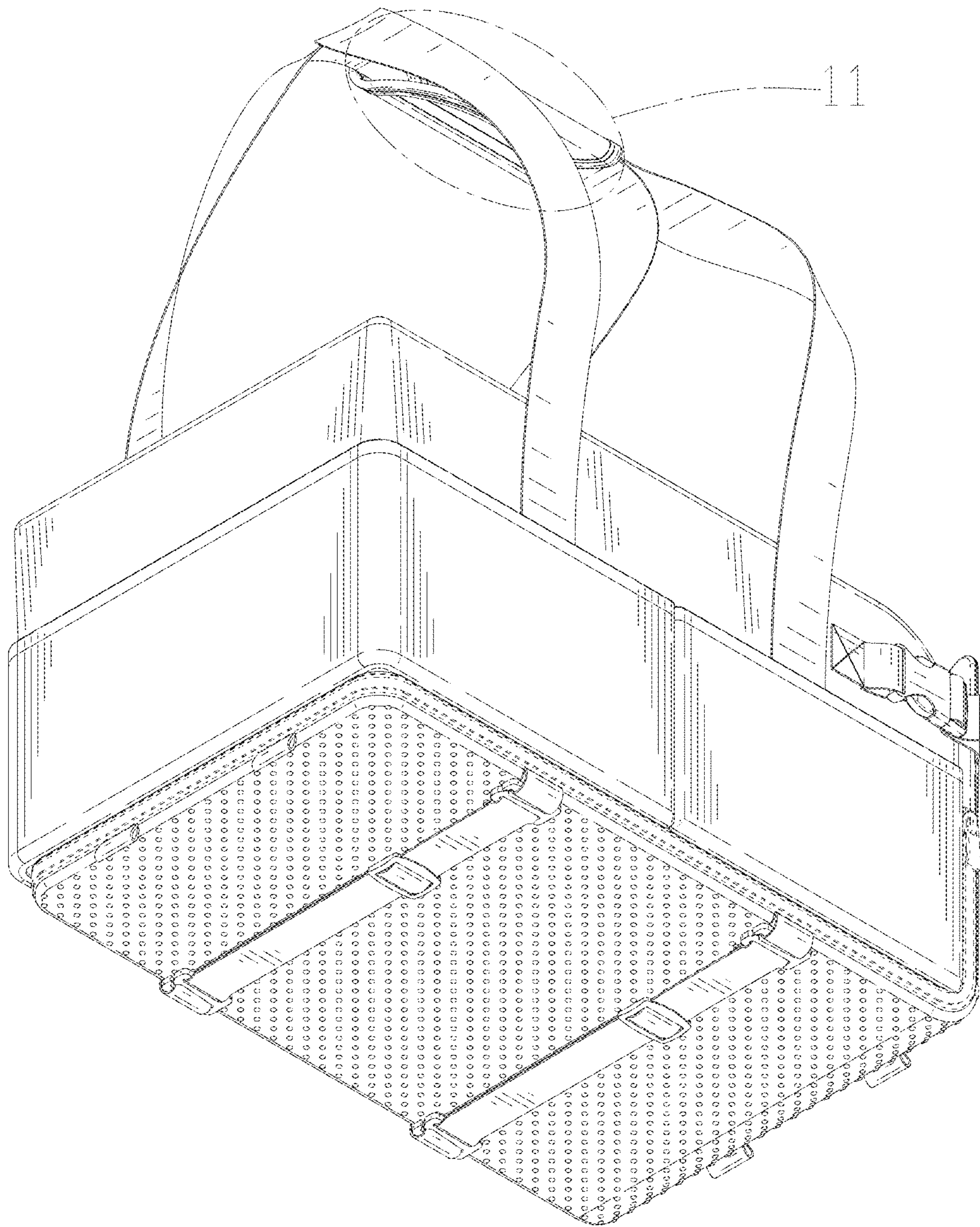


FIG. 2

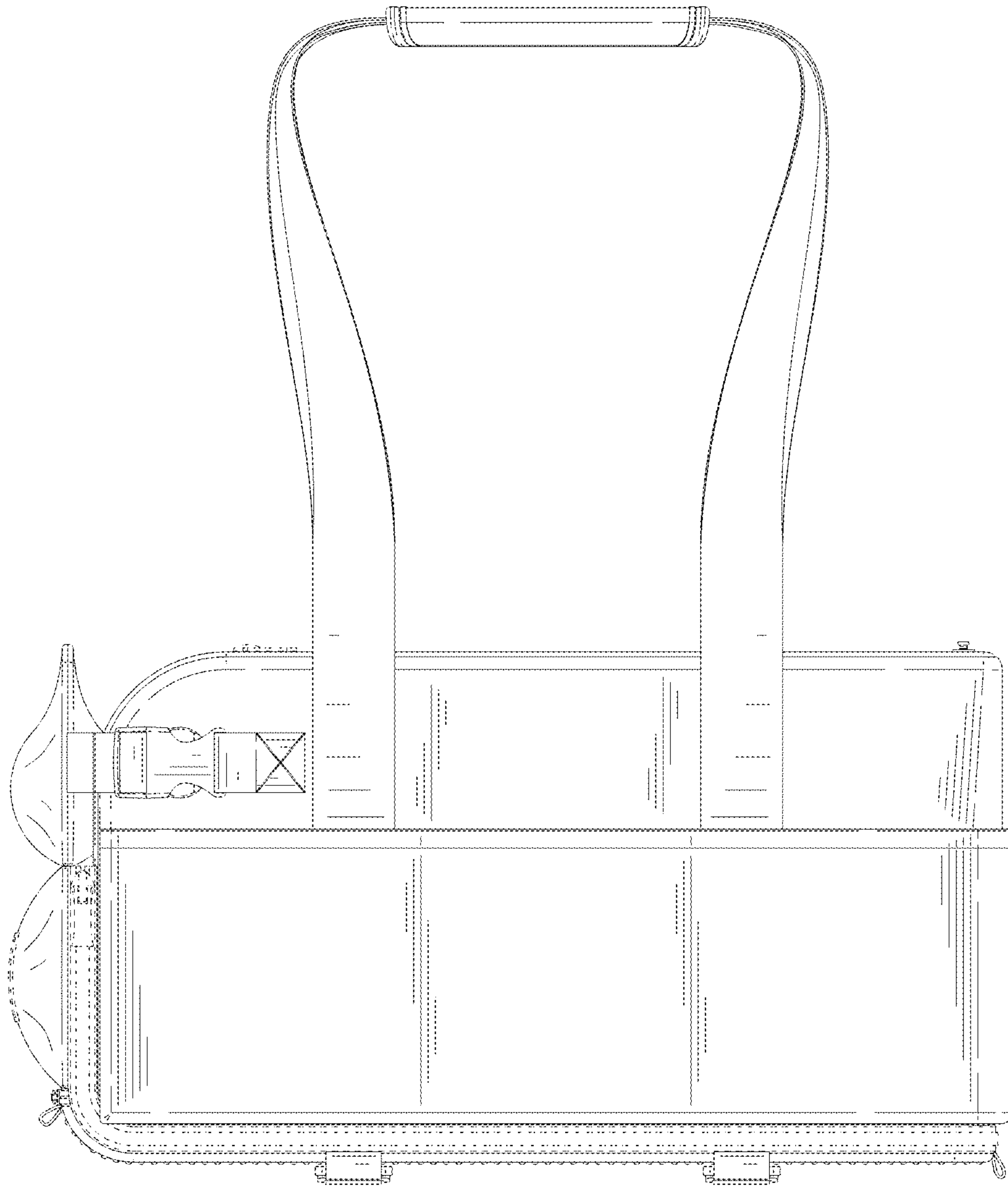


FIG. 3

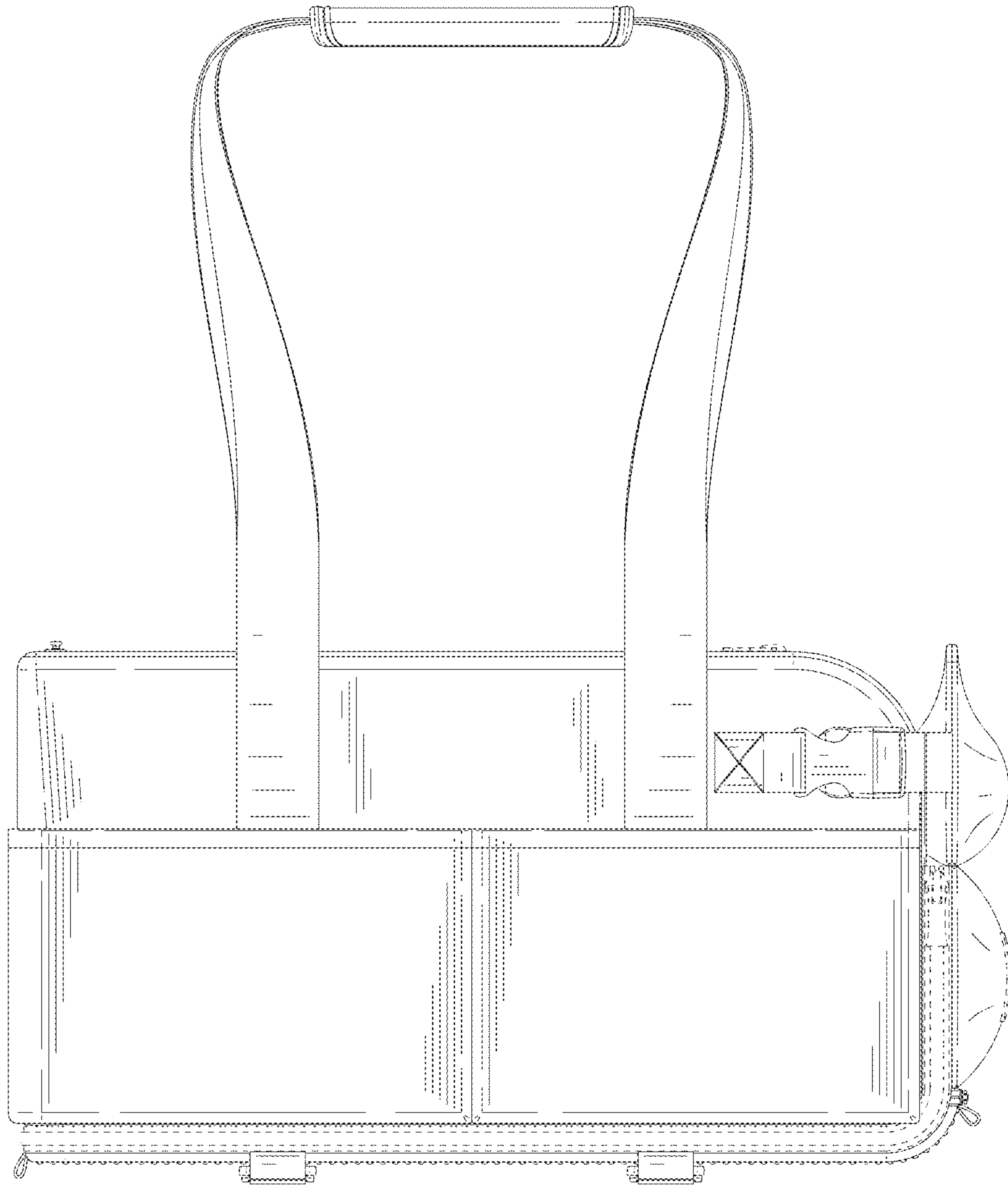


FIG. 4

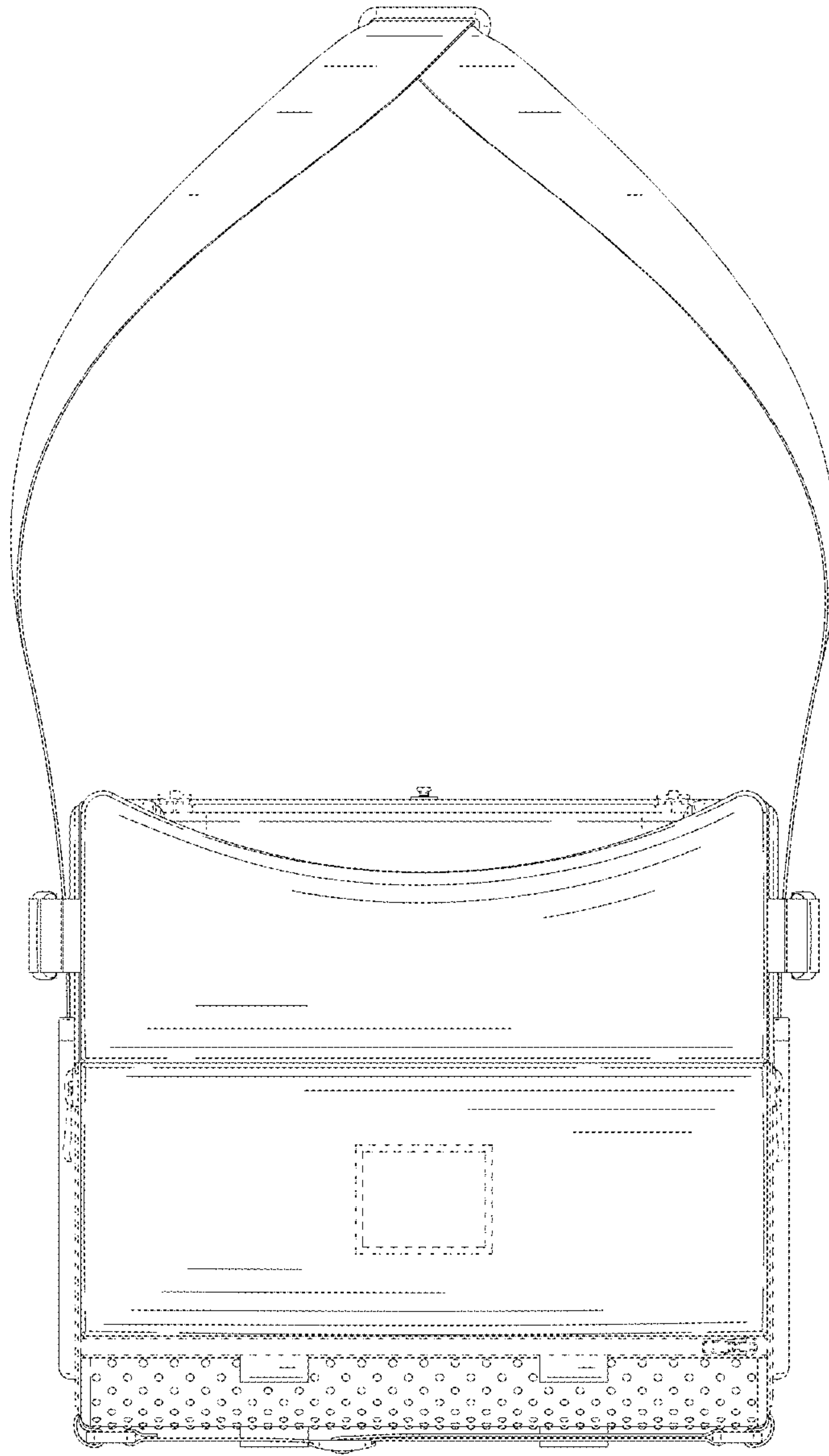


FIG. 5

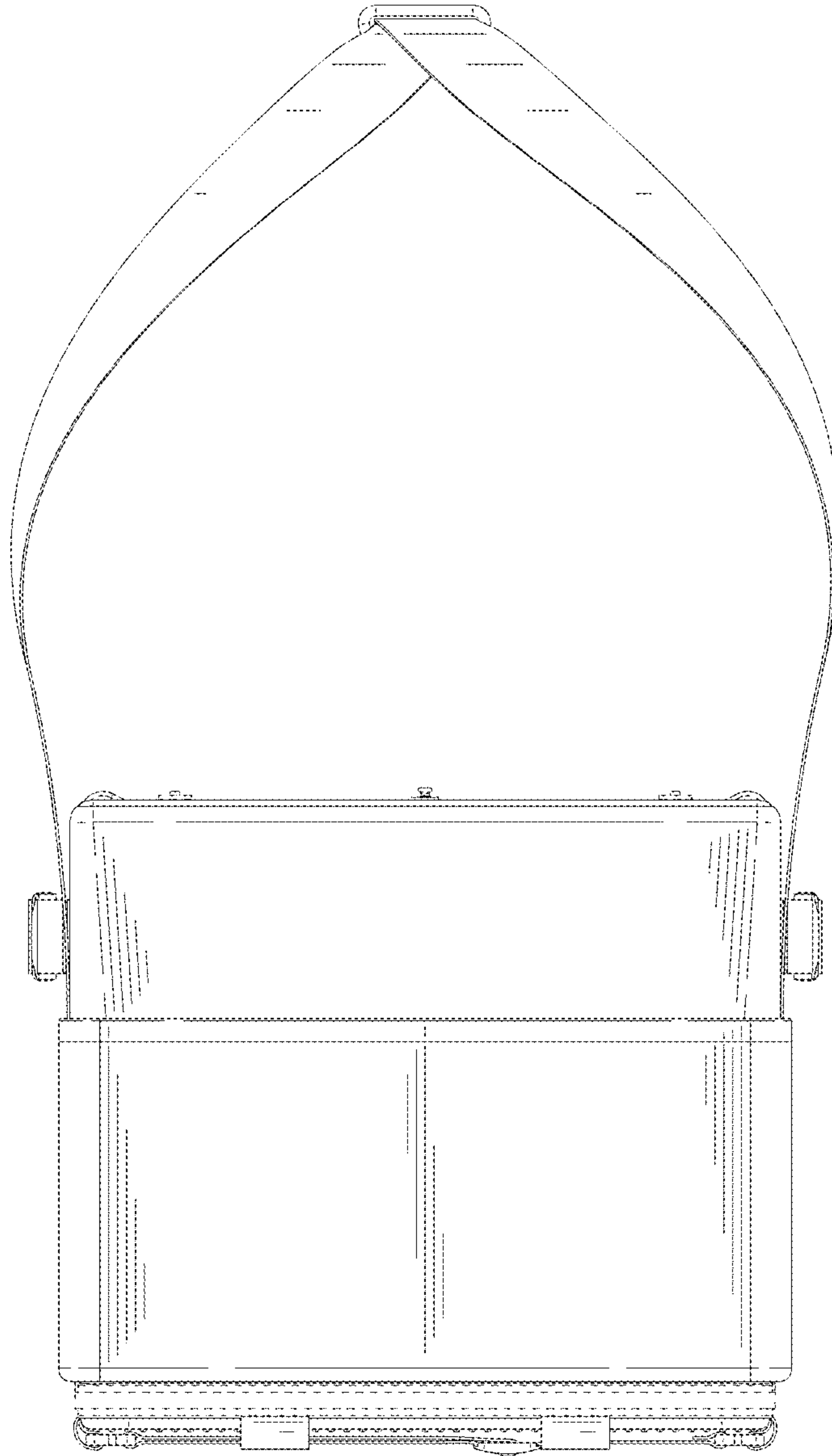


FIG. 6

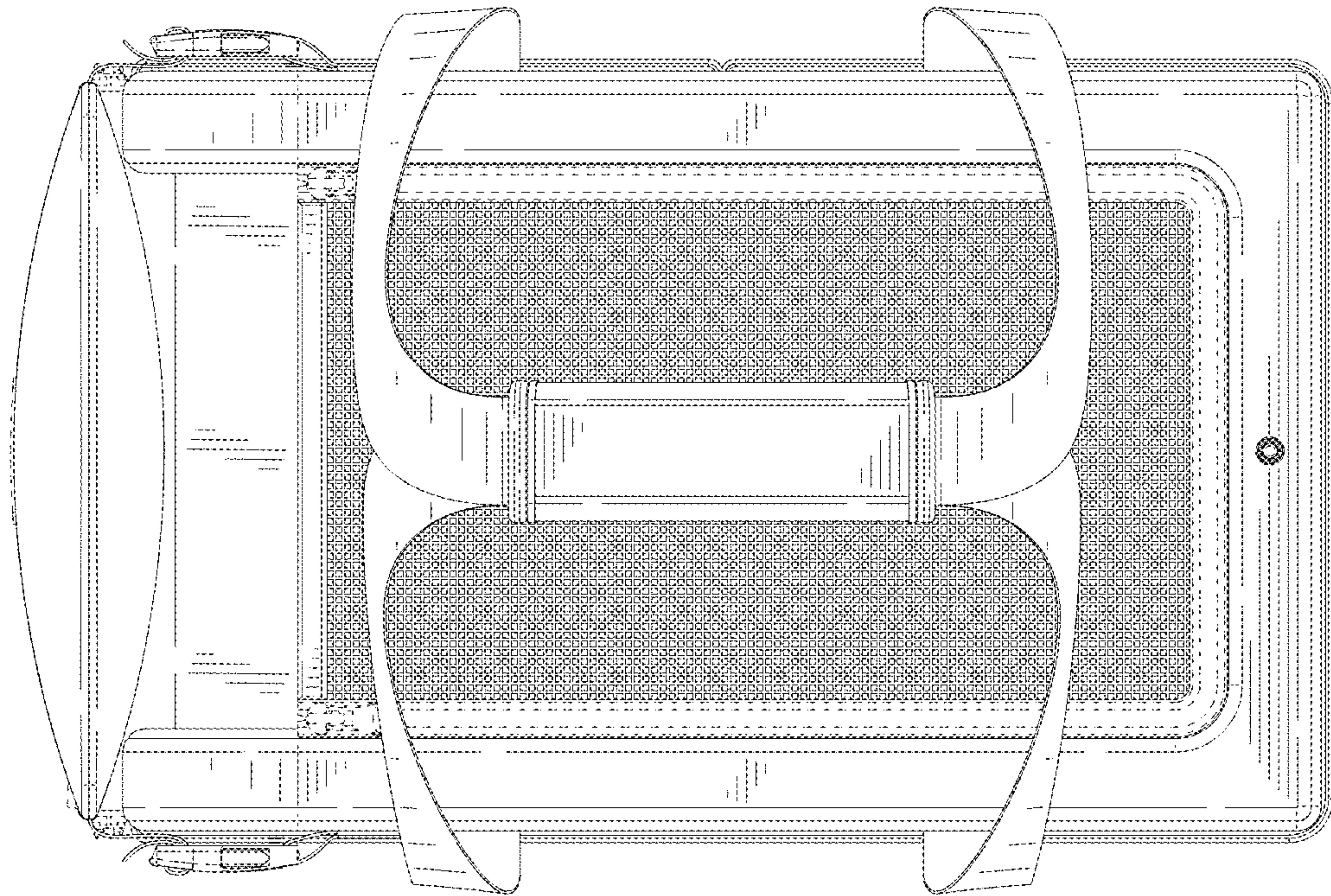


FIG. 7

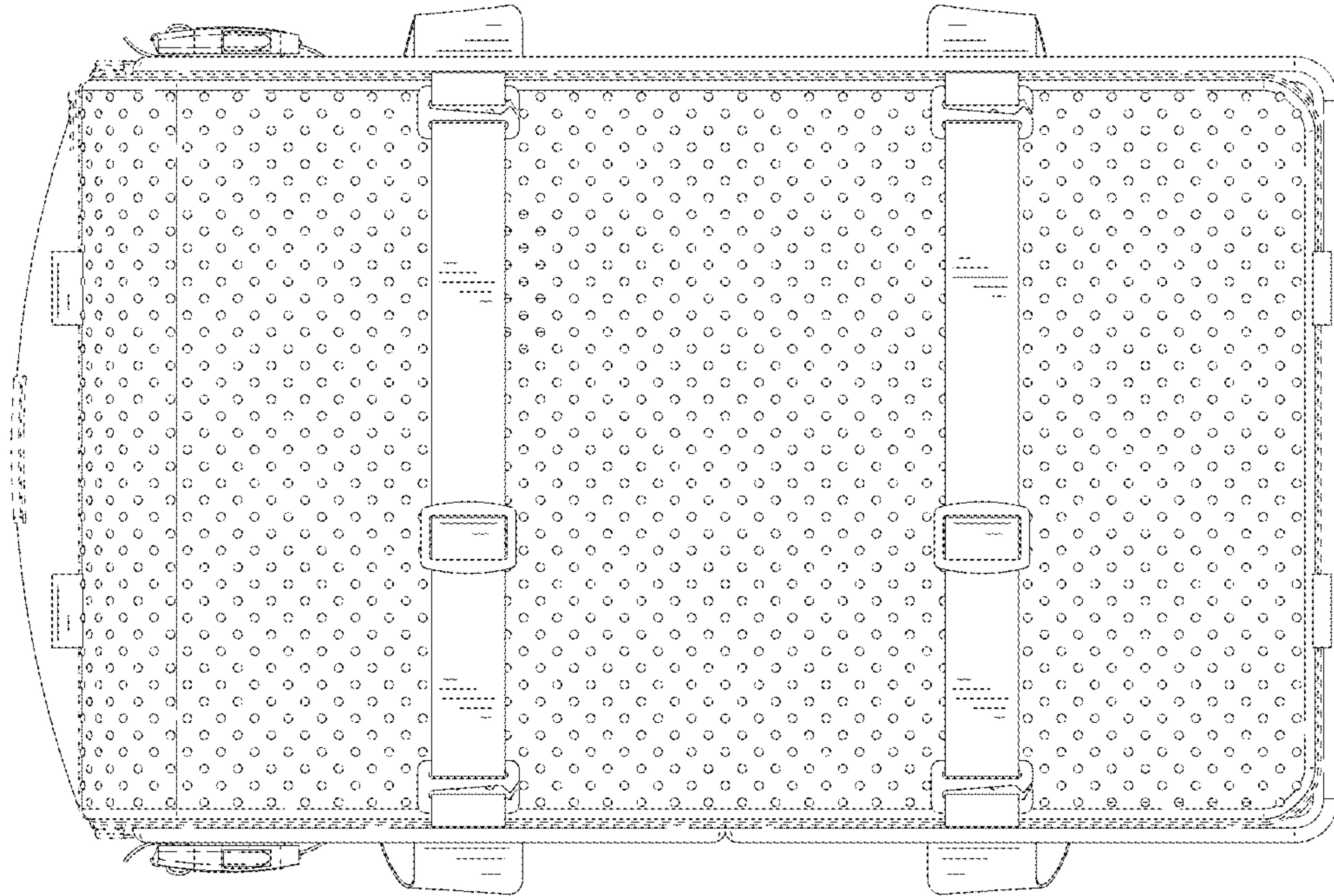


FIG. 8

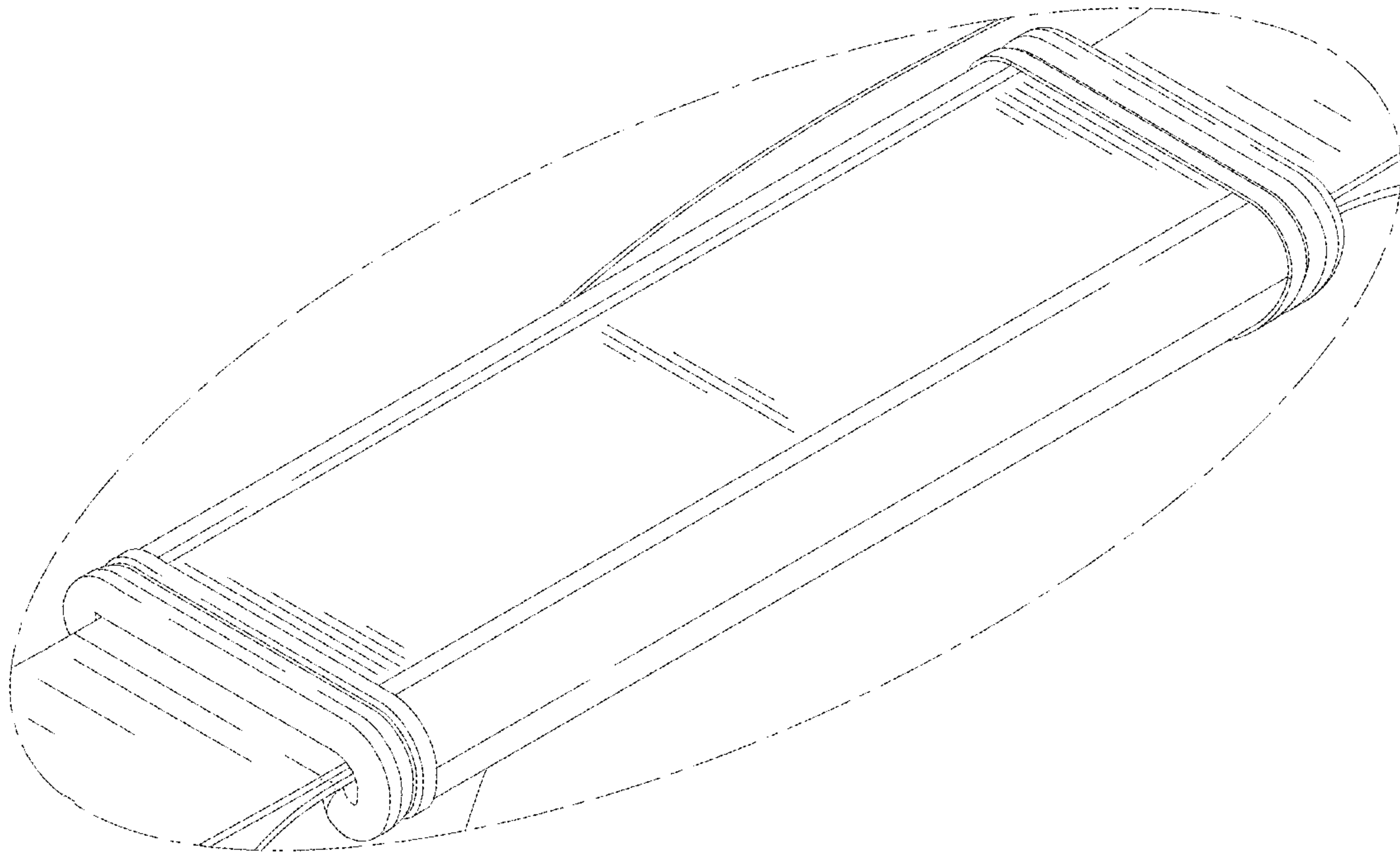


FIG. 9

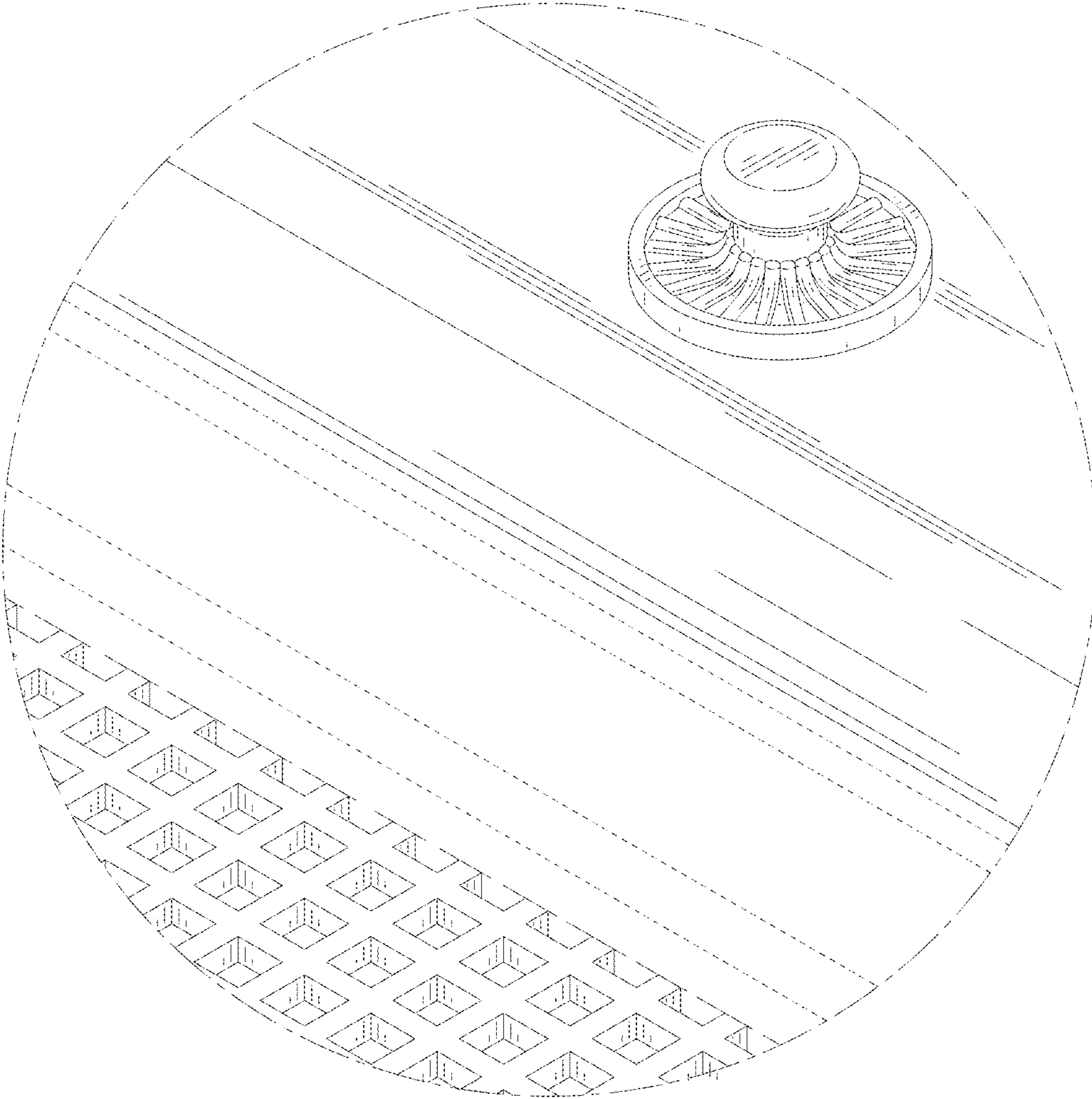


FIG. 10

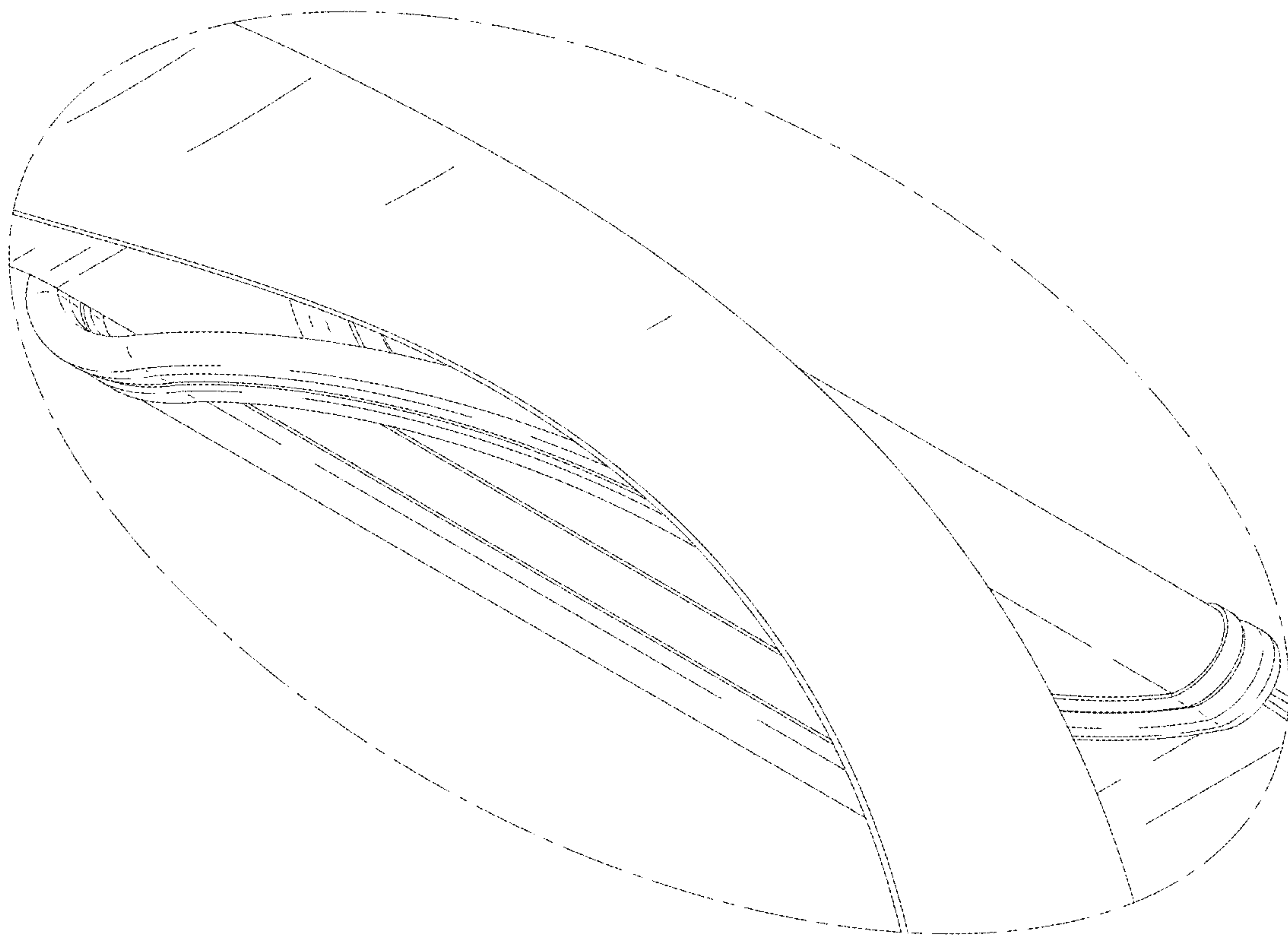


FIG. 11