



US00D985210S

(12) **United States Design Patent**
Zhuo

(10) **Patent No.:** **US D985,210 S**

(45) **Date of Patent:** **** May 2, 2023**

- (54) **PET CARRIER WITH WHEELS**
- (71) Applicant: **Xianshu Zhuo**, Guangzhou (CN)
- (72) Inventor: **Xianshu Zhuo**, Guangzhou (CN)
- (**) Term: **15 Years**
- (21) Appl. No.: **29/848,671**
- (22) Filed: **Aug. 4, 2022**
- (51) **LOC (14) Cl.** **30-02**
- (52) **U.S. Cl.**
USPC **D30/109**
- (58) **Field of Classification Search**
USPC D30/108–120; D3/304, 201, 203.1,
D3/203.6, 203.7, 213, 216, 217, 232, 235,
D3/242, 243, 245–246, 273, 276, 269,
D3/271.2, 274, 283, 289–290, 301, 303,
D3/900, 902, 904
CPC A01K 1/00; A01K 1/02; A01K 1/0236;
A01K 1/0254; A01K 1/0272; A01K
1/0281; A01K 1/029; A01K 1/034
See application file for complete search history.

(56) **References Cited**

U.S. PATENT DOCUMENTS

D398,083 S *	9/1998	Martz	D3/273
5,941,195 A *	8/1999	Martz	A45F 3/04
				119/497
D548,408 S *	8/2007	Martz	D3/273
D649,719 S *	11/2011	Siklosi	D30/109
D705,497 S *	5/2014	Renforth	D30/108
D722,728 S *	2/2015	Renforth	D30/109
D800,451 S *	10/2017	Collins	D3/904
D849,333 S *	5/2019	Laicheng		
D889,827 S *	7/2020	Wark	A45C 3/00
				D3/289
10,772,288 B1 *	9/2020	Sandiford	A01K 1/0272
D914,995 S *	3/2021	El-Fakir	D30/109
D954,356 S	6/2022	Lin et al.		

2003/0127060 A1 *	7/2003	Yeung	A01K 1/0254
				119/497
2006/0180421 A1 *	8/2006	Godshaw	A01K 1/0254
				190/18 A
2007/0022969 A1 *	2/2007	Godshaw	A01K 1/0254
				119/497
2007/0102253 A1 *	5/2007	Godshaw	A01K 1/0254
				190/102
2008/0072837 A1 *	3/2008	Redzisz	A01K 1/0254
				119/474
2008/0184941 A1 *	8/2008	Hai	A01K 1/0254
				119/497
2008/0216760 A1 *	9/2008	Cannon	A01K 1/0254
				119/497

(Continued)

Primary Examiner — Sheryl Lane
Assistant Examiner — Aula Soroush
(74) *Attorney, Agent, or Firm* — ScienBiziP, P.C.

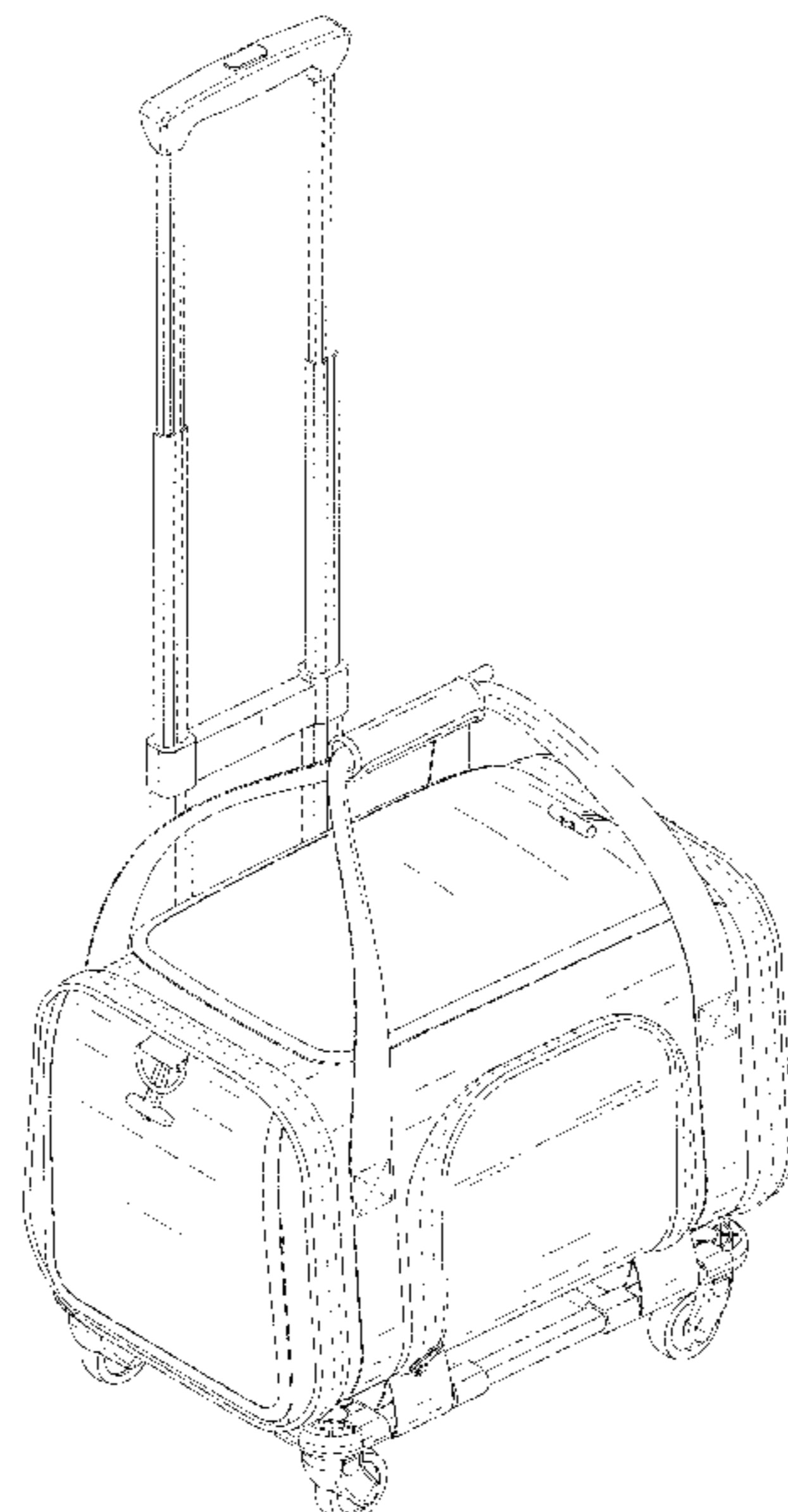
(57) **CLAIM**

The ornamental design for a pet carrier with wheels, as shown and described.

DESCRIPTION

FIG. 1 is a front, left and top perspective view of a pet carrier with wheels, showing my design.
FIG. 2 is a rear, right and bottom perspective view thereof.
FIG. 3 is a front elevation view thereof.
FIG. 4 is a rear elevation view thereof.
FIG. 5 is a left side elevation view thereof.
FIG. 6 is a right side elevation view thereof.
FIG. 7 is a top plan view thereof.
FIG. 8 is a bottom plan view thereof; and,
FIG. 9 is another front, left and top perspective view of the pet carrier with wheels in a usable state.
The evenly dashed broken lines illustrate environmental subject matter only and form no part of the claimed design.
The dash-dot-dot-dash broken lines illustrate stitching and form part of the claimed design.

1 Claim, 9 Drawing Sheets



(56)

References Cited

U.S. PATENT DOCUMENTS

2010/0000472 A1* 1/2010 Siklosi A01K 1/0272
119/497
2012/0186533 A1* 7/2012 Lu A01K 1/0254
119/497
2016/0192614 A1* 7/2016 Hawk A01K 1/0236
119/497
2017/0265430 A1* 9/2017 Renforth A01K 1/0236
2018/0338469 A1* 11/2018 Alexander A01K 1/0254
2019/0014736 A1* 1/2019 Greenberg, Jr. A45C 13/385

* cited by examiner



FIG. 1

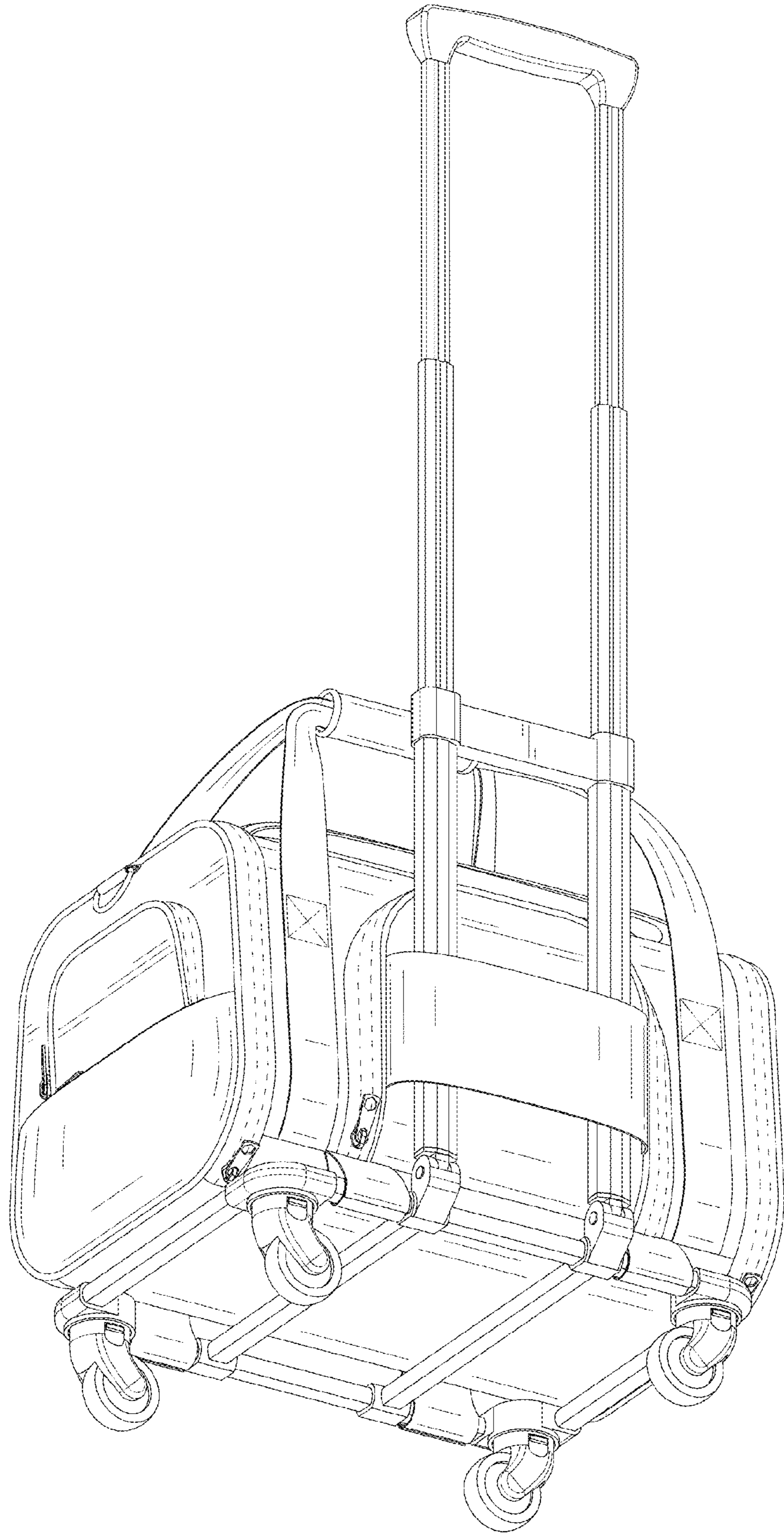


FIG. 2

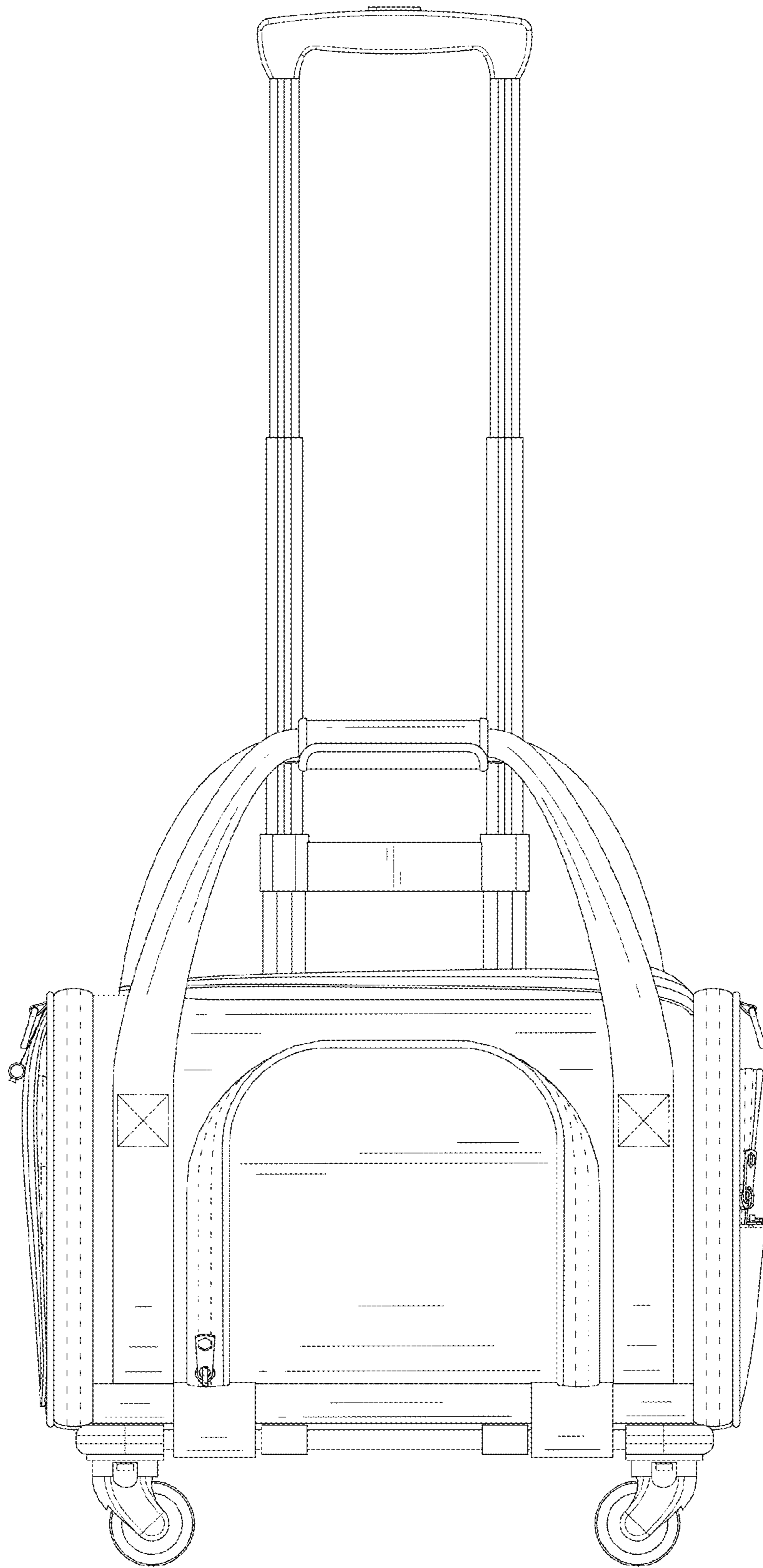


FIG. 3

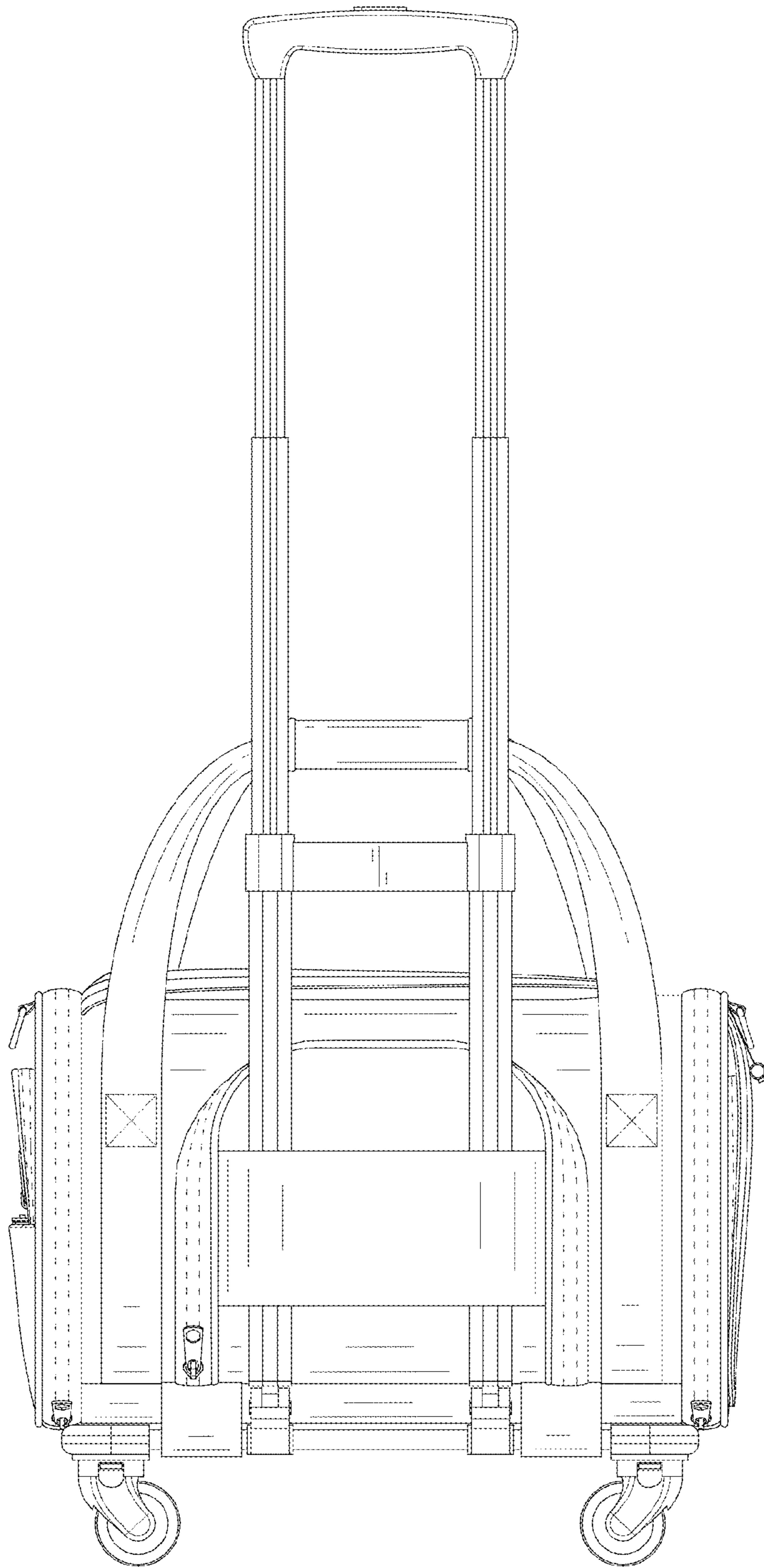


FIG. 4

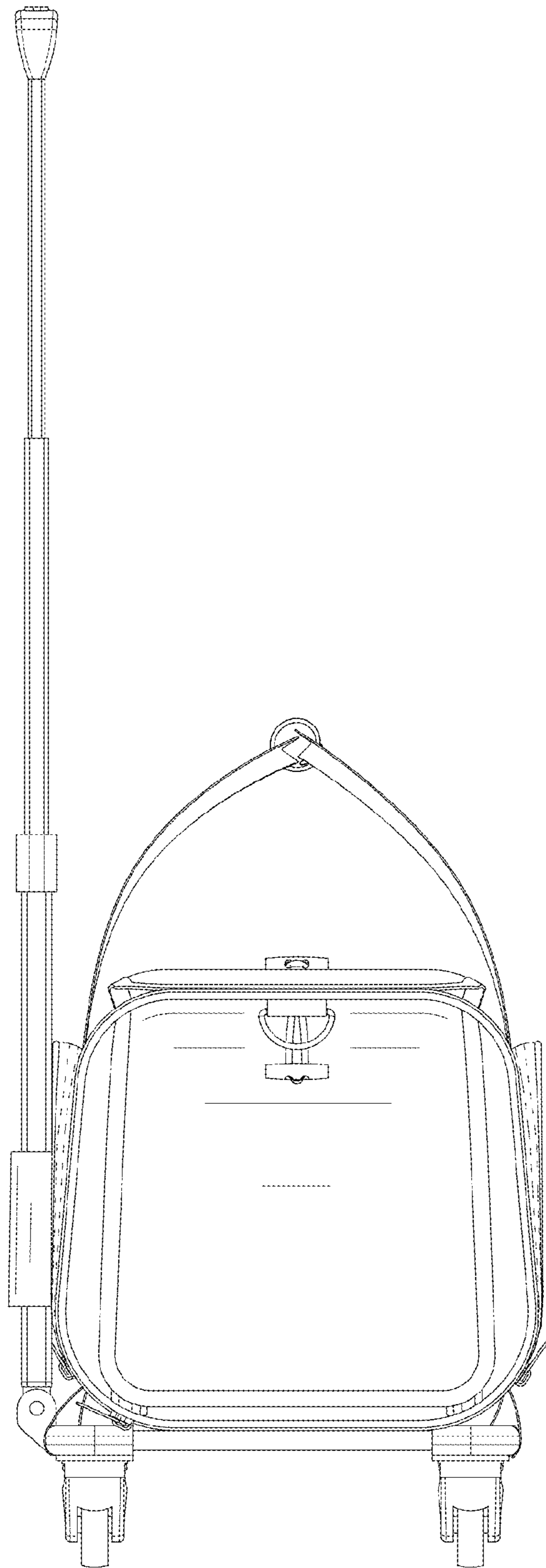


FIG. 5

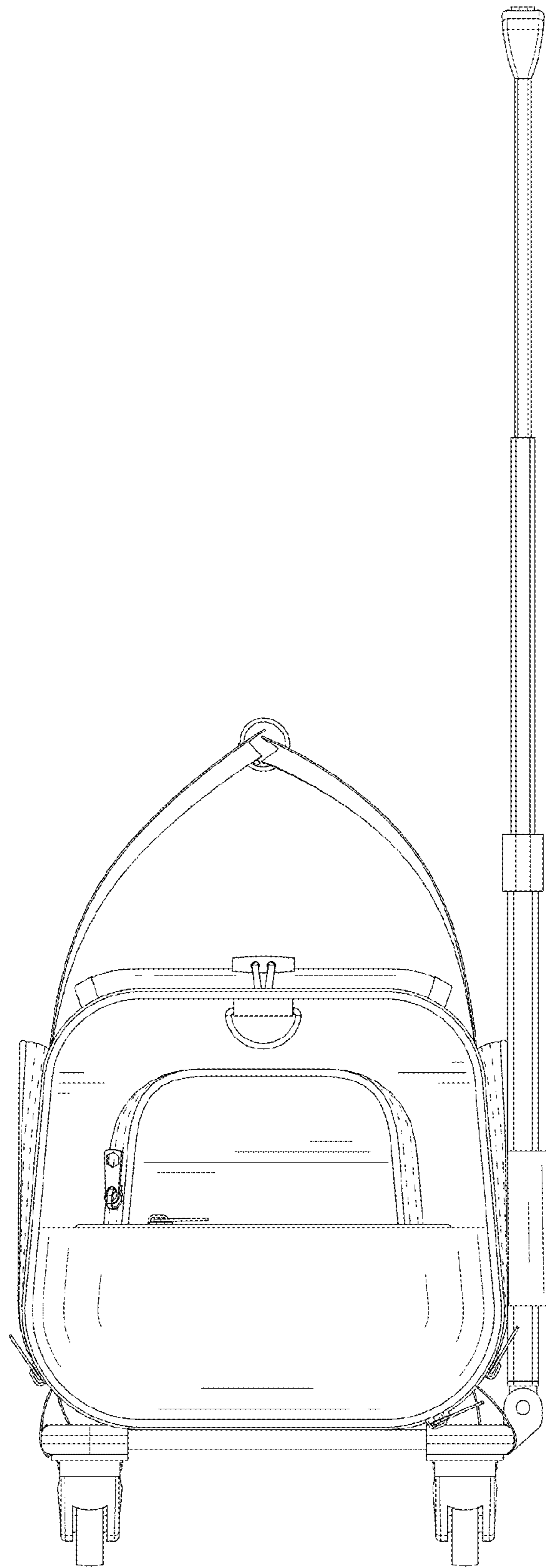


FIG. 6

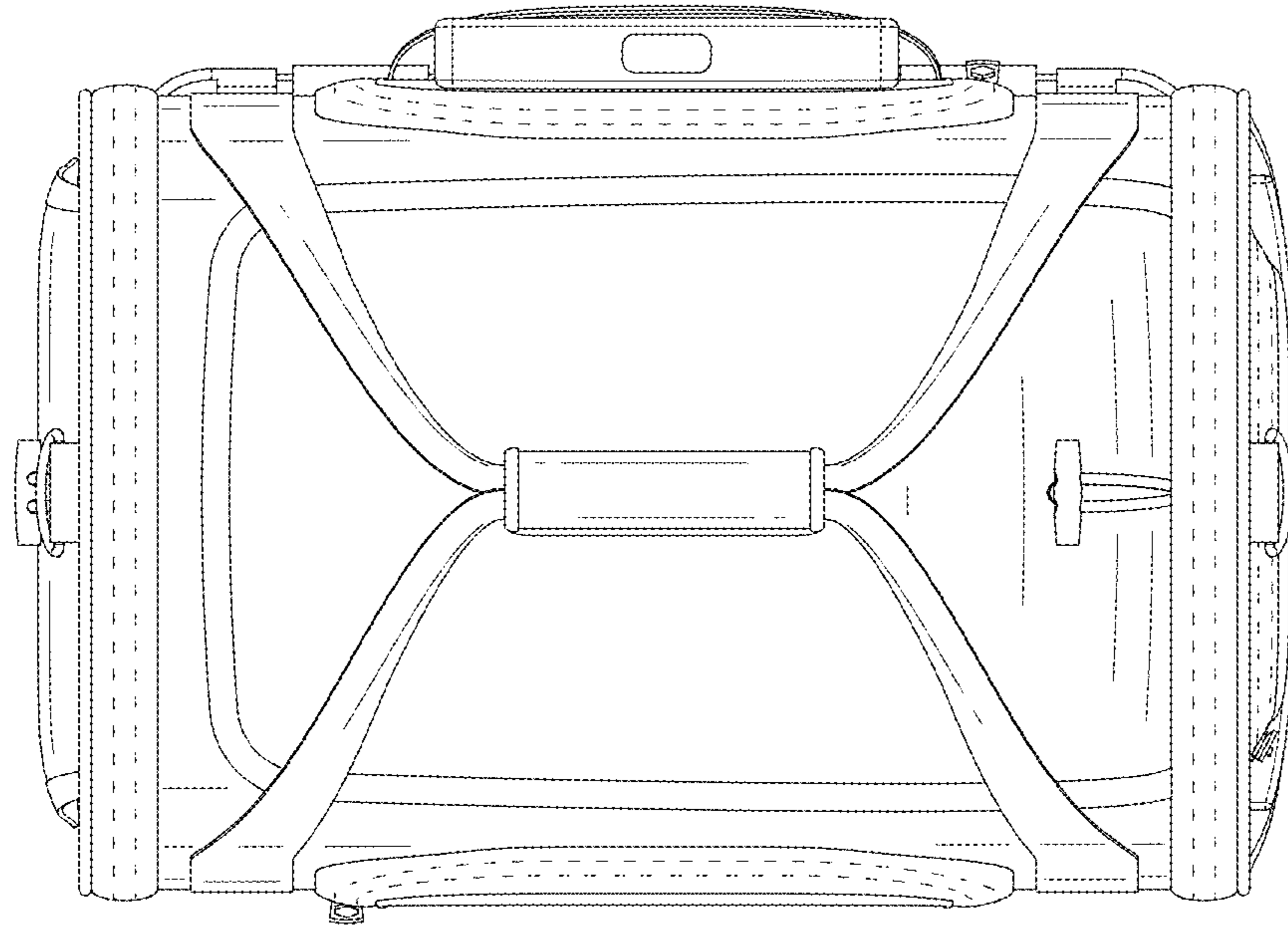


FIG. 7

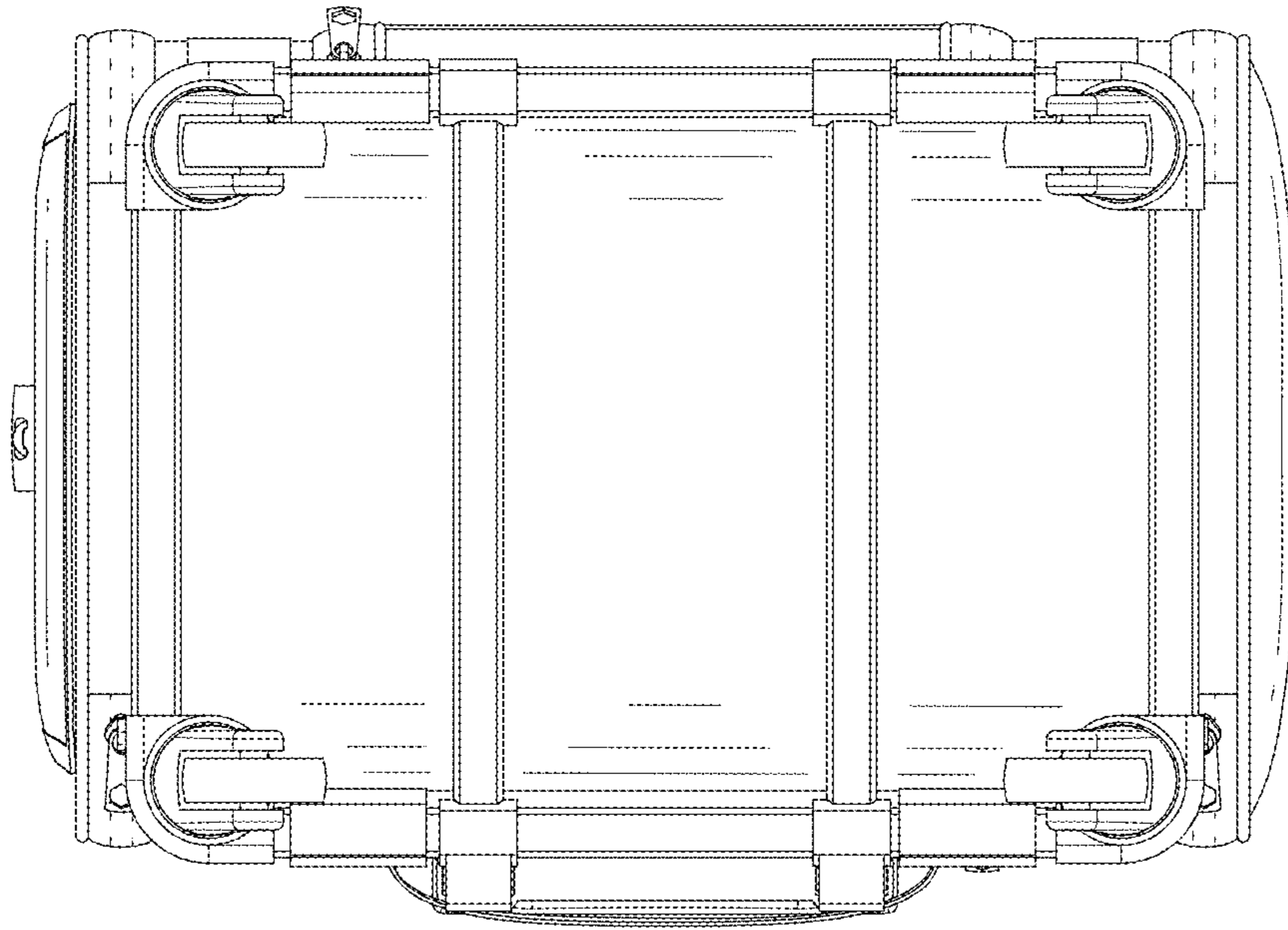


FIG. 8

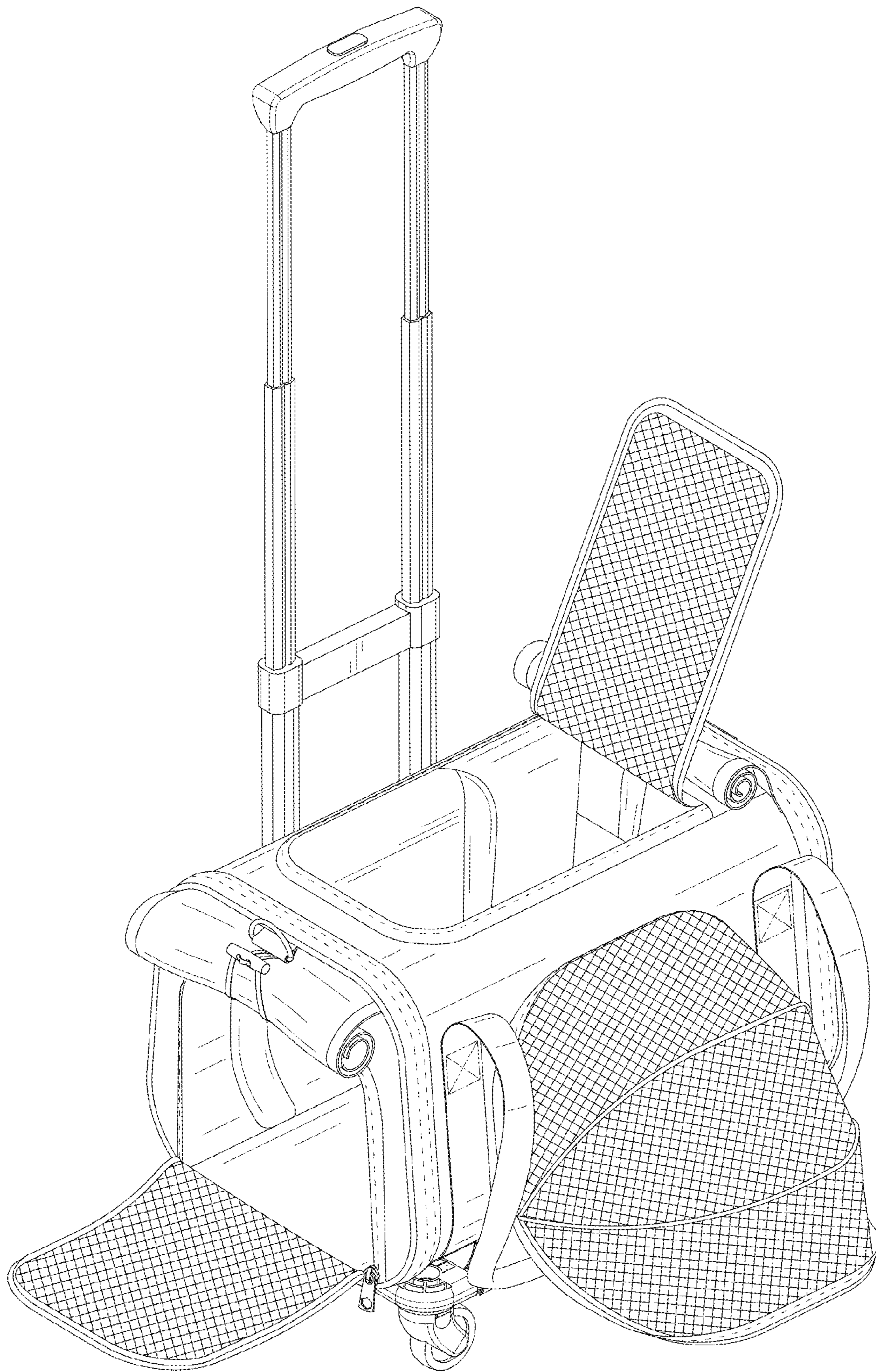


FIG. 9