



US00D985209S

(12) **United States Design Patent** (10) **Patent No.:** **US D985,209 S**
Yang (45) **Date of Patent:** **** May 2, 2023**

(54) **DOG CRATE**
(71) Applicant: **Huizhou Jinghuixin Home Furnishing Co., Ltd., Huizhou (CN)**
(72) Inventor: **Yu Yang, Jinshi (CN)**
(73) Assignee: **Huizhou Jinghuixin Home Furnishing Co., Ltd., Huizhou (CN)**
(**) Term: **15 Years**

2007/0089683 A1* 4/2007 Roberts A01K 31/06
119/477
2019/0191664 A1* 6/2019 Xin A01K 1/033
2021/0085075 A1* 3/2021 Volin A47B 37/04

FOREIGN PATENT DOCUMENTS

CA 124084 * 11/2008
CN 307745610 * 12/2022
CN 307777956 * 1/2023
EM 009177595-0001 * 9/2020
EM 008311575-0001 * 12/2020
GB 6252244 * 1/2023

(21) Appl. No.: **29/870,223**
(22) Filed: **Jan. 19, 2023**
(51) **LOC (14) Cl.** **30-02**
(52) **U.S. Cl.**
USPC **D30/114**
(58) **Field of Classification Search**
USPC D30/108, 114, 116, 119; D6/664, 668.1,
D6/668.2, 673, 675, 675.2, 686, 691
CPC A01K 1/02; A01K 1/034; A01K 1/033
See application file for complete search history.

OTHER PUBLICATIONS

IchbinGo Dog Crate Furniture with Sliding Barn Door, posted Oct. 9, 2022, retrieved Feb. 247, 2023 [online]. URL: <https://www.amazon.com/dp/B0BHQLB1RM> (Year: 2022).*
Kivenjaja 2-in-1 Size Dog Crate Furniture for 2 Puppies, posted Oct. 14, 2022, retrieved Feb. 27, 2023 [online]. URL: <https://www.amazon.com/dp/B0BJ71B6TZ> (Year: 2022).*

* cited by examiner

Primary Examiner — Sheryl Lane
Assistant Examiner — Emily A Caven

(56) **References Cited**

U.S. PATENT DOCUMENTS

D274,152 S * 6/1984 Fleming D30/116
D554,389 S * 11/2007 Pierce D30/108
D584,533 S * 1/2009 Mohundro D6/686
D613,000 S * 3/2010 Ward D30/119
D634,078 S * 3/2011 Lee D30/119
D704,901 S * 5/2014 Diskin D30/108
D762,332 S * 7/2016 Chance A01K 31/06
D30/119
D852,429 S 6/2019 Rathman
D853,052 S * 7/2019 Rathman A01K 1/033
D30/114
D903,948 S * 12/2020 Xin D30/108
D934,509 S * 10/2021 Lyster D30/108
D967,552 S 10/2022 Valdez

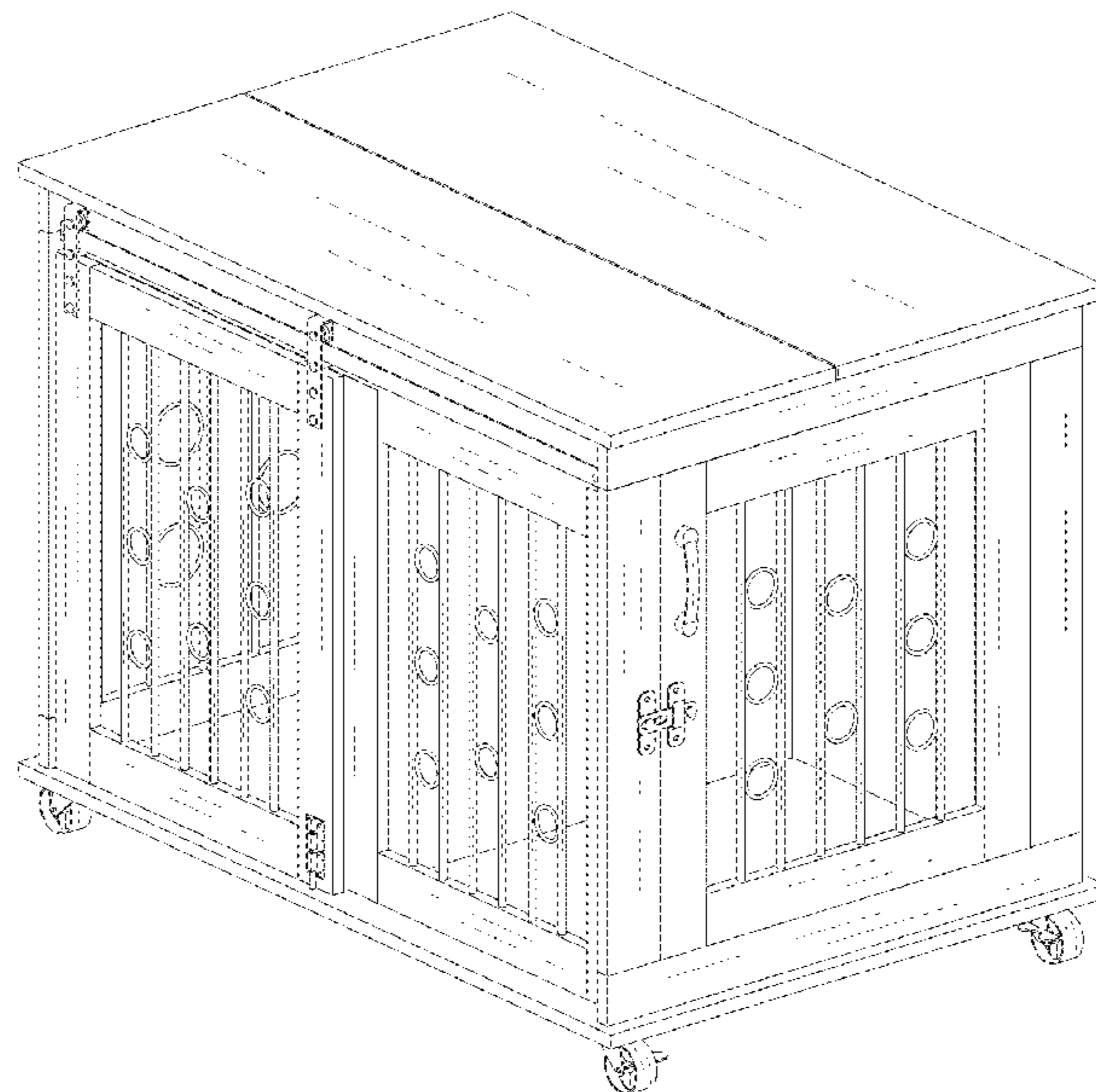
(57) **CLAIM**

The ornamental design for a dog crate, as shown and described.

DESCRIPTION

FIG. 1 is a top, front, right side perspective view of a dog crate, showing my new design;
FIG. 2 is a bottom, back, right side perspective view thereof;
FIG. 3 is a front elevational view thereof;
FIG. 4 is a back elevational view thereof;
FIG. 5 is a left side elevational view thereof;
FIG. 6 is a right side elevational view thereof;
FIG. 7 is a top plan view thereof; and,
FIG. 8 is a bottom plan view thereof.

1 Claim, 8 Drawing Sheets



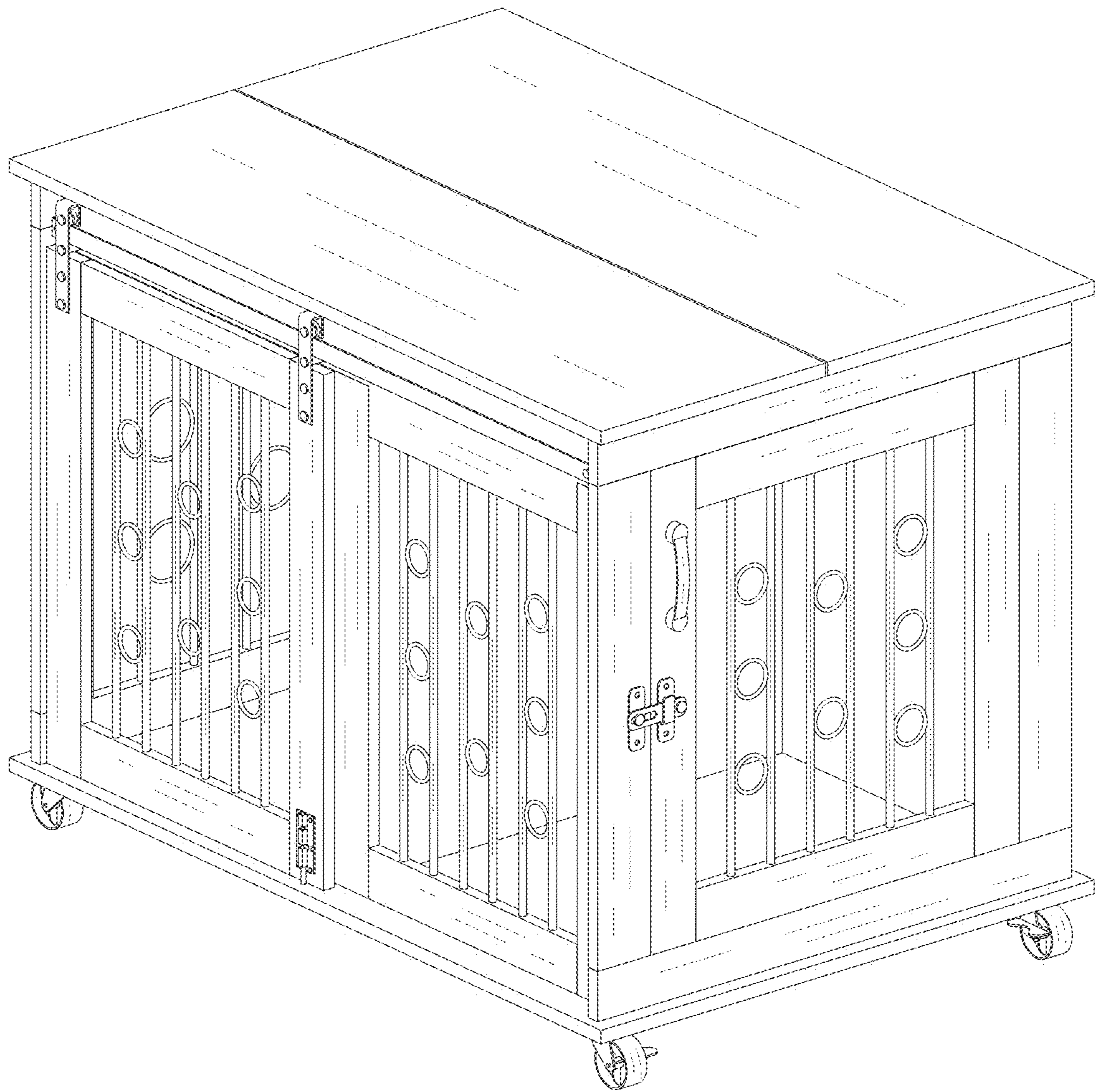


FIG. 1

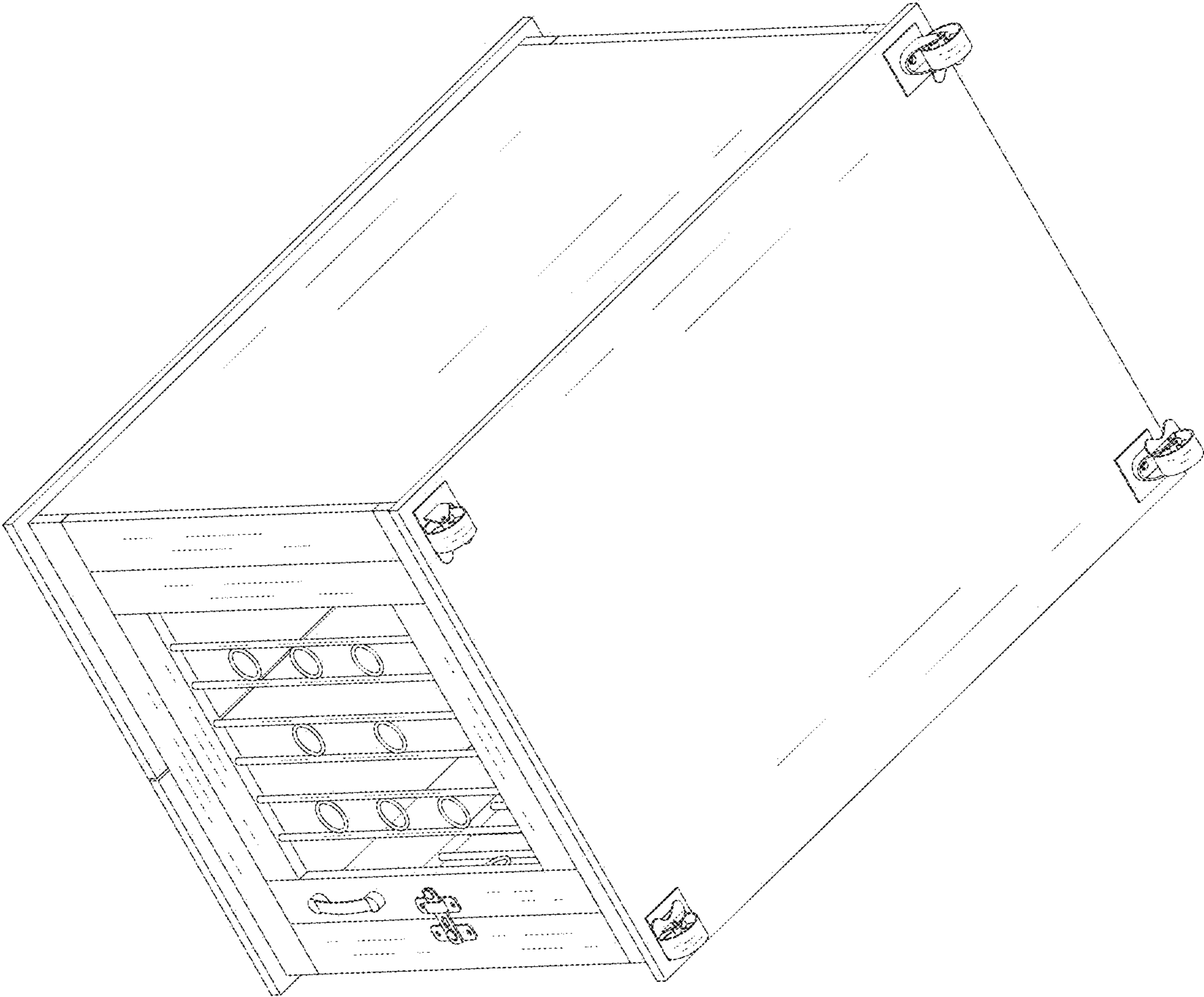


FIG. 2

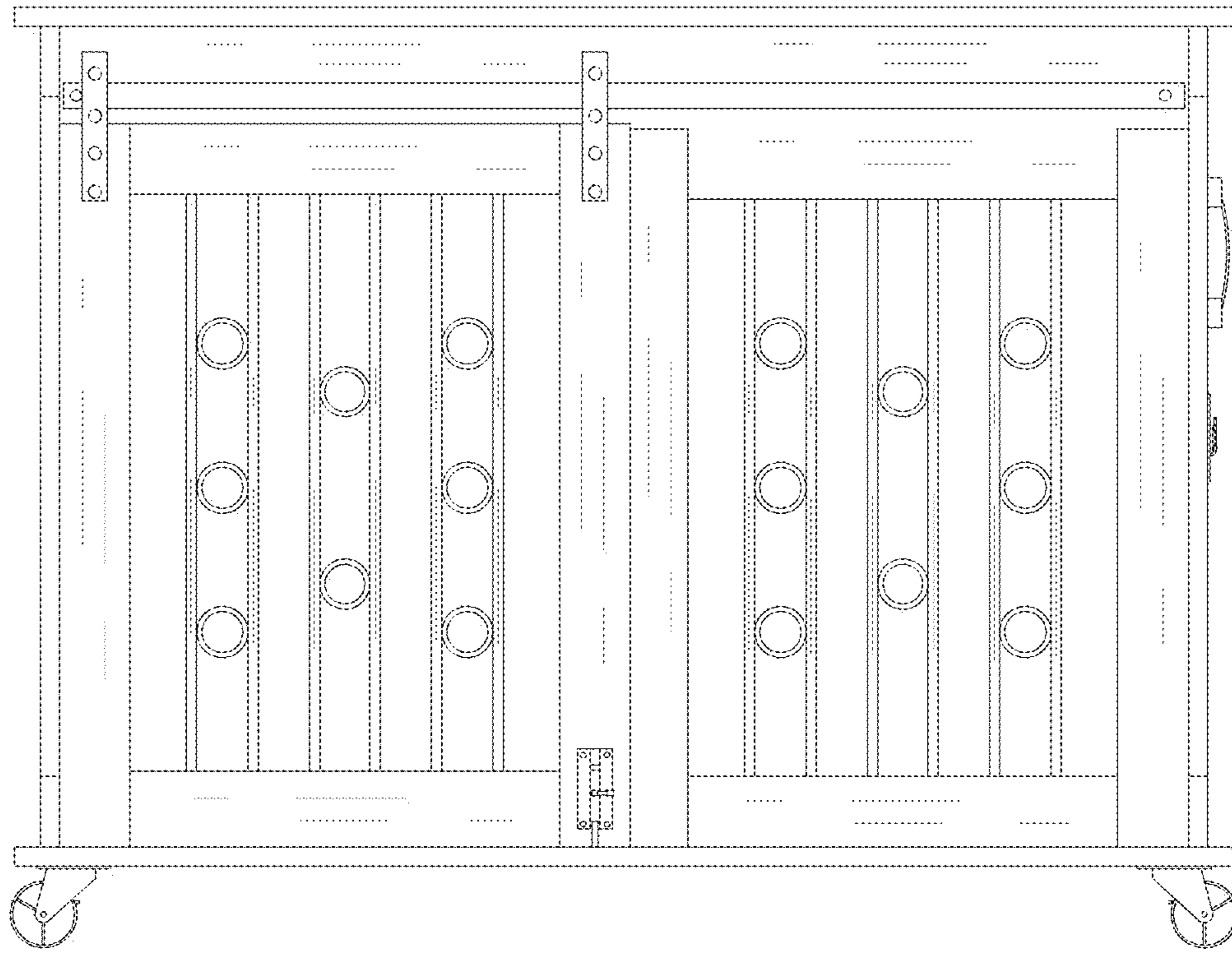


FIG. 3

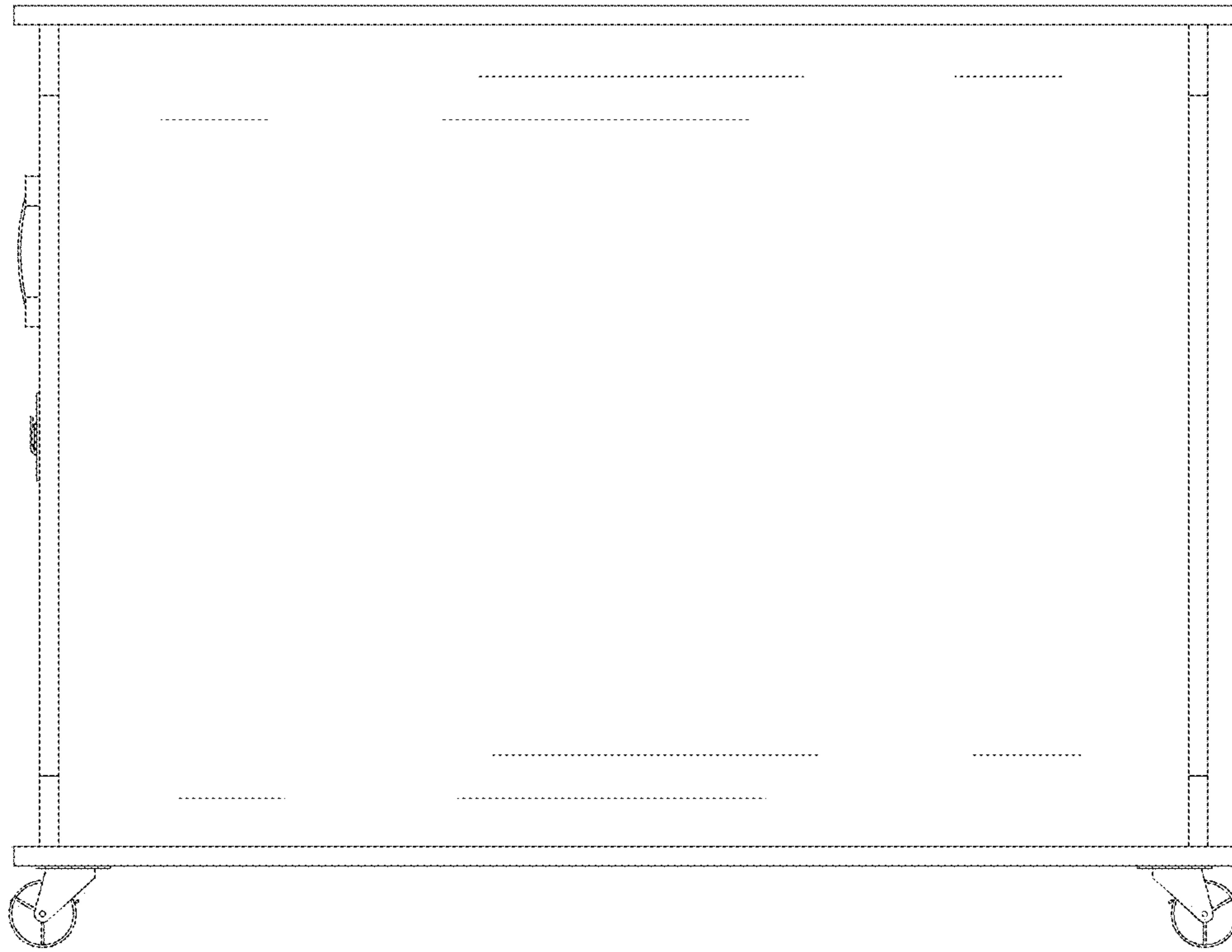


FIG. 4

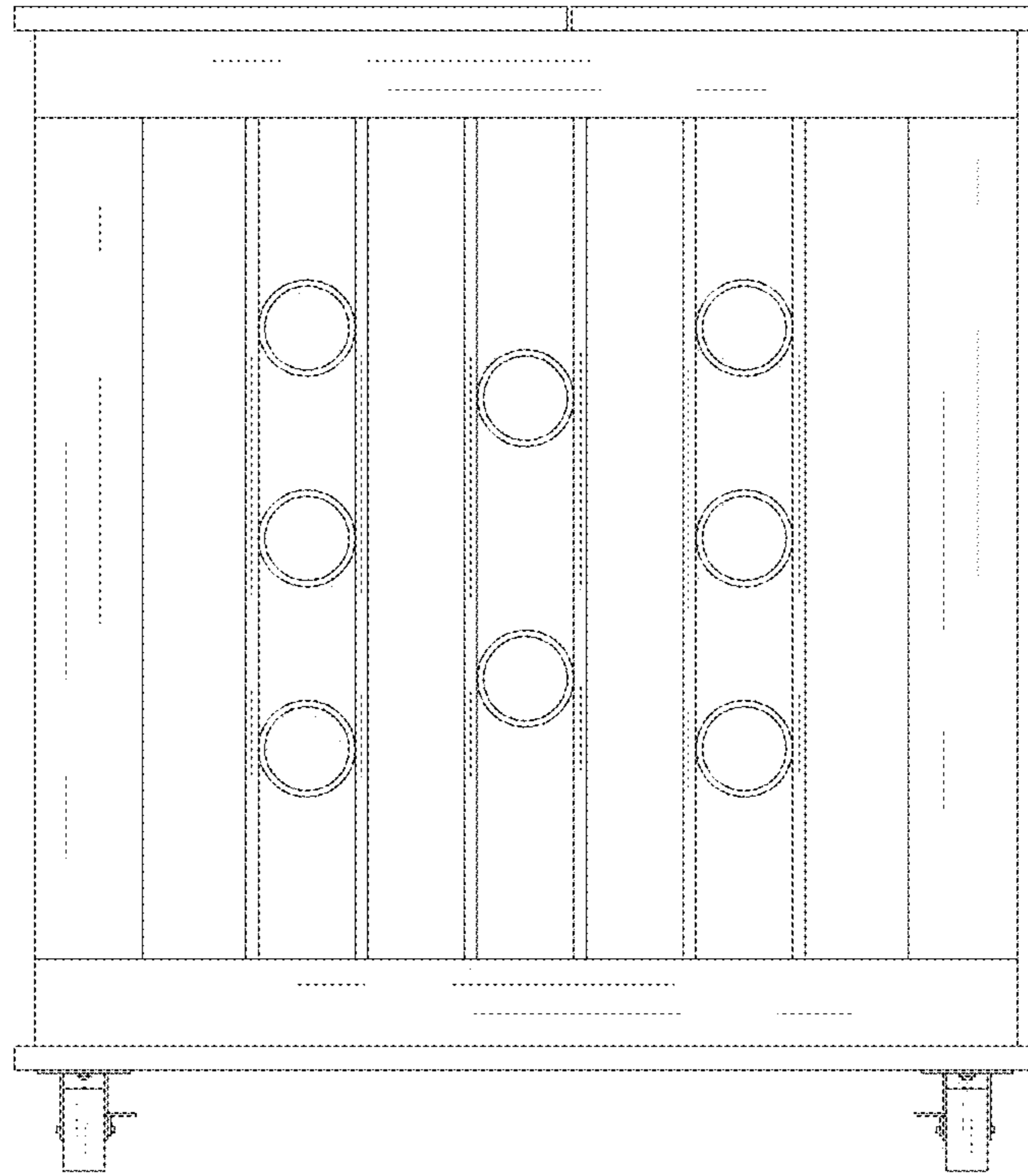


FIG. 5

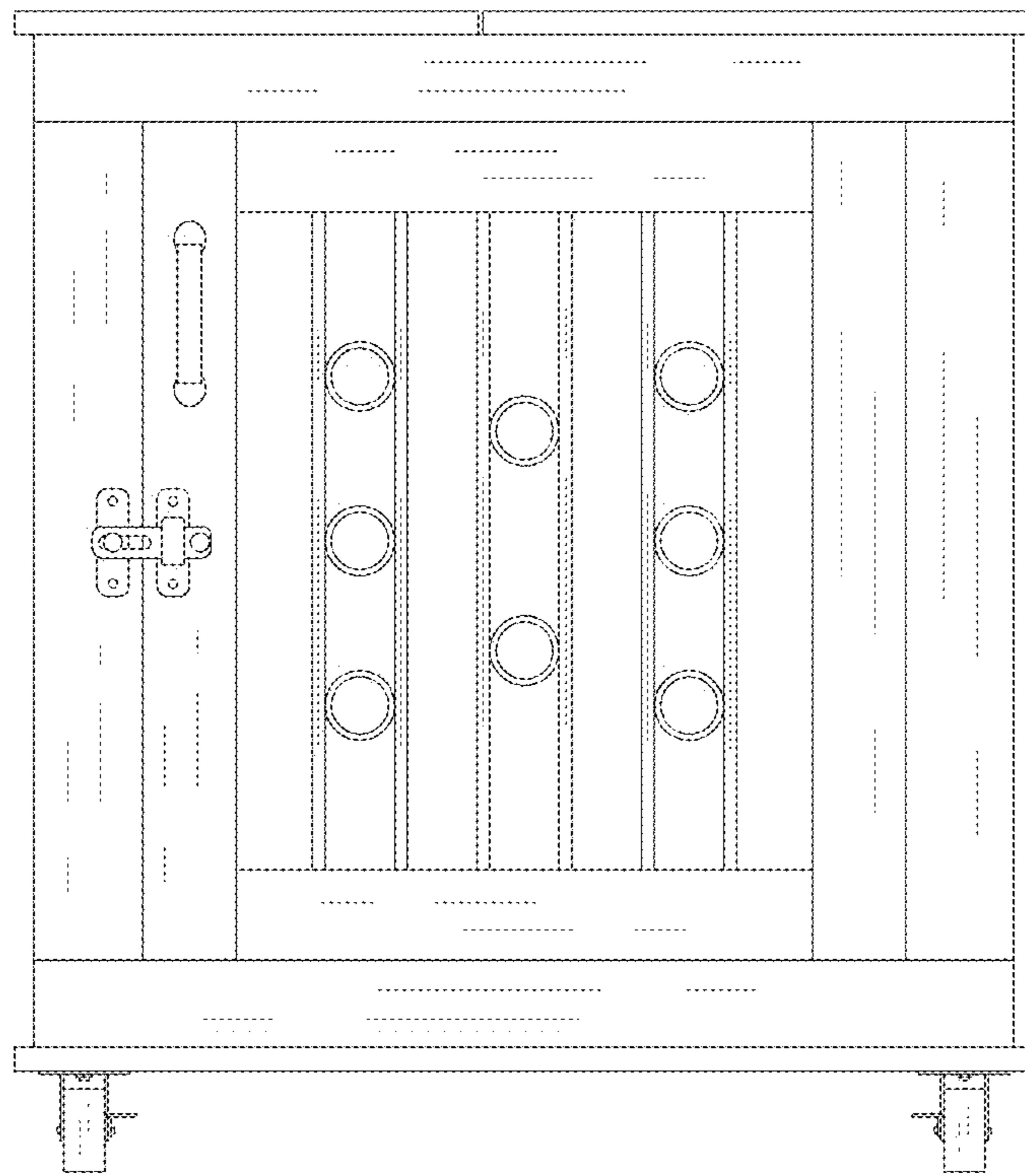


FIG. 6



FIG. 7



FIG. 8