



US00D985208S

(12) **United States Design Patent**
Huang

(10) **Patent No.:** **US D985,208 S**

(45) **Date of Patent:** **** May 2, 2023**

(54) **DOG CRATE**
(71) Applicant: **Huizhou Zhongcheng Metal Products Co., Ltd., Huizhou (CN)**

(72) Inventor: **Shanlue Huang, Meizhou (CN)**

(73) Assignee: **Huizhou Zhongcheng Metal Products Co., Ltd., Huizhou (CN)**

(**) Term: **15 Years**

(21) Appl. No.: **29/854,074**

(22) Filed: **Sep. 21, 2022**

(51) **LOC (14) Cl.** **30-02**

(52) **U.S. Cl.**
USPC **D30/108**

(58) **Field of Classification Search**
USPC D30/108–120, 161; D25/12, 15
CPC .. A01K 1/0107; A01K 1/0114; A01K 1/0125;
A01K 1/0121; A01K 1/035; A01K
1/0152; A01K 1/0157; A01K 1/034;
A01K 1/033; A01K 1/0245; A01K
1/0272; A01K 1/029

See application file for complete search history.

(56) **References Cited**

U.S. PATENT DOCUMENTS

3,872,832	A *	3/1975	Quinn	A01K 1/0107 119/165
3,885,523	A *	5/1975	Coleman	A01K 1/0107 119/482
3,924,572	A *	12/1975	Classe	A01K 1/031 D30/118
D282,880	S *	3/1986	Barati	D30/114
4,590,885	A *	5/1986	Sugiura	A01K 31/08 119/497
D353,030	S *	11/1994	Fernandez	D30/108
D424,249	S *	5/2000	Banzaca	D30/119
D554,389	S *	11/2007	Pierce	D30/108

D609,407	S *	2/2010	Henley	D30/112
D613,000	S *	3/2010	Ward	D30/119
D622,913	S *	8/2010	Schroeder	D30/129
D634,078	S *	3/2011	Lee	D30/119
D640,837	S *	6/2011	Henley	D30/108
7,997,234	B1 *	8/2011	Hughey	A01K 1/034 119/500
D680,696	S *	4/2013	Hammel	D30/108
D683,080	S *	5/2013	Snow	D30/108
D702,403	S *	4/2014	Snow	D30/108
D704,901	S *	5/2014	Diskin	D30/108
D814,121	S *	3/2018	Kim	D30/108
D820,526	S *	6/2018	Wilson	D30/108
D852,429	S *	6/2019	Rathman	D30/114
D853,052	S *	7/2019	Rathman	D30/114
D863,798	S *	10/2019	Klump	D6/349

(Continued)

Primary Examiner — Sheryl Lane

Assistant Examiner — Aula Soroush

(74) *Attorney, Agent, or Firm* — Nitin Kaushik

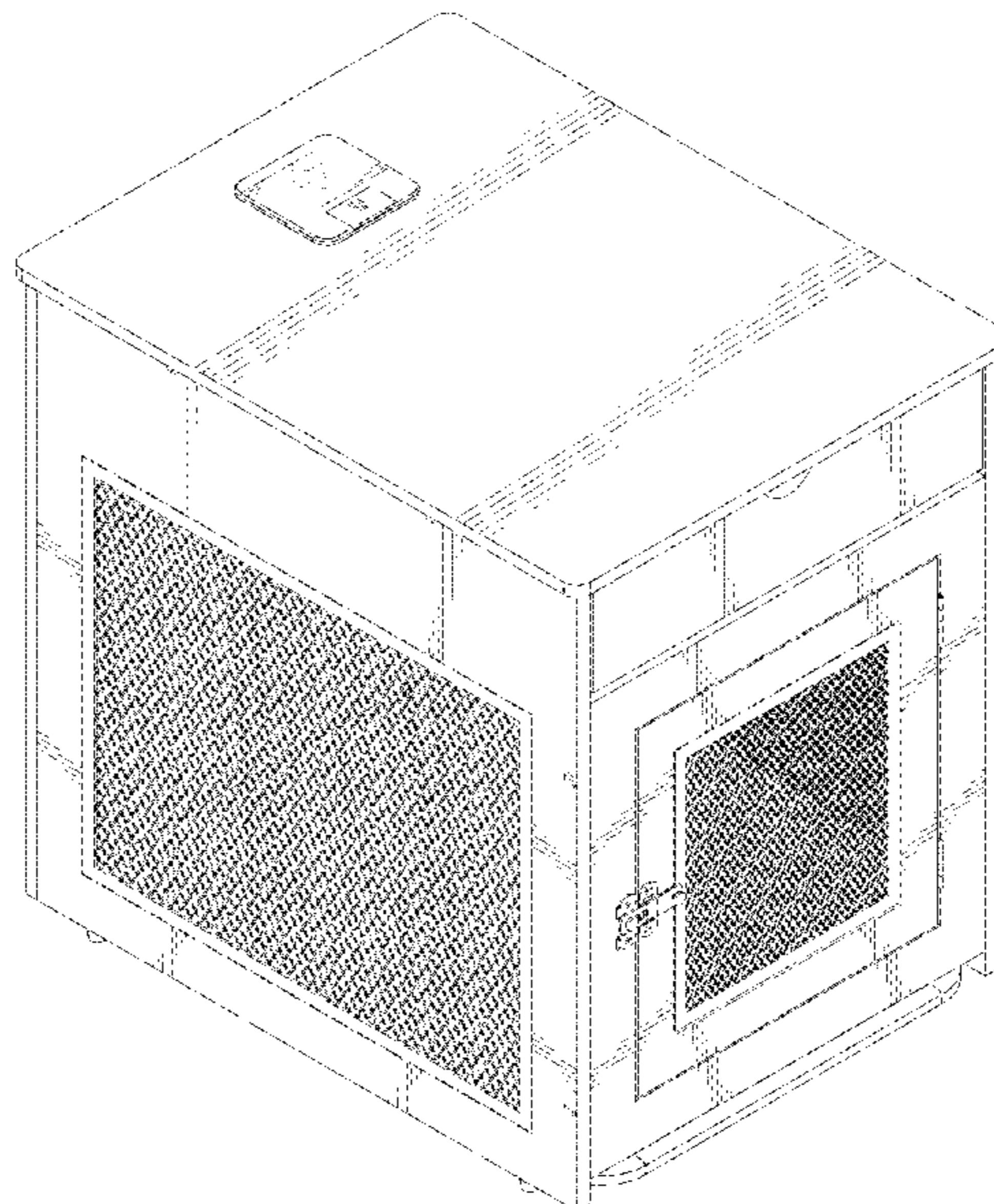
(57) **CLAIM**

The ornamental design for a dog crate, as shown and described.

DESCRIPTION

FIG. 1 is a top perspective view of a dog crate, showing my new design;
 FIG. 2 is another perspective view shown in an alternate configuration thereof;
 FIG. 3 is another perspective view shown in an alternate configuration thereof;
 FIG. 4 is a front view thereof;
 FIG. 5 is a rear view thereof;
 FIG. 6 is a left side view thereof;
 FIG. 7 is a right side view thereof;
 FIG. 8 is a top view thereof; and,
 FIG. 9 is a bottom view thereof.
 The broken lines in the drawings illustrate the portions of the dog crate, which form no part of the claimed design.

1 Claim, 9 Drawing Sheets



(56)

References Cited

U.S. PATENT DOCUMENTS

D882,879	S *	4/2020	Lara	D30/118
D894,496	S *	8/2020	Hutchinson	D30/108
D903,948	S *	12/2020	Xin	D30/108
D930,277	S *	9/2021	Huthmaker	D30/119
D930,914	S	9/2021	Gao		
D952,263	S *	5/2022	Mihlbauer	D30/108
D952,955	S *	5/2022	Mihlbauer	D30/108
D954,355	S *	6/2022	Mihlbauer	D30/108
D957,745	S *	7/2022	Mihlbauer	D30/108
2007/0000448	A1 *	1/2007	Dietz	A01K 1/033 119/481
2014/0352628	A1 *	12/2014	Kellogg	A01K 1/033 119/497
2017/0359998	A1 *	12/2017	Kim	A01K 1/0245
2018/0359985	A1 *	12/2018	Jung	A01K 29/005
2019/0069509	A1 *	3/2019	Gulati	A01K 1/035

* cited by examiner

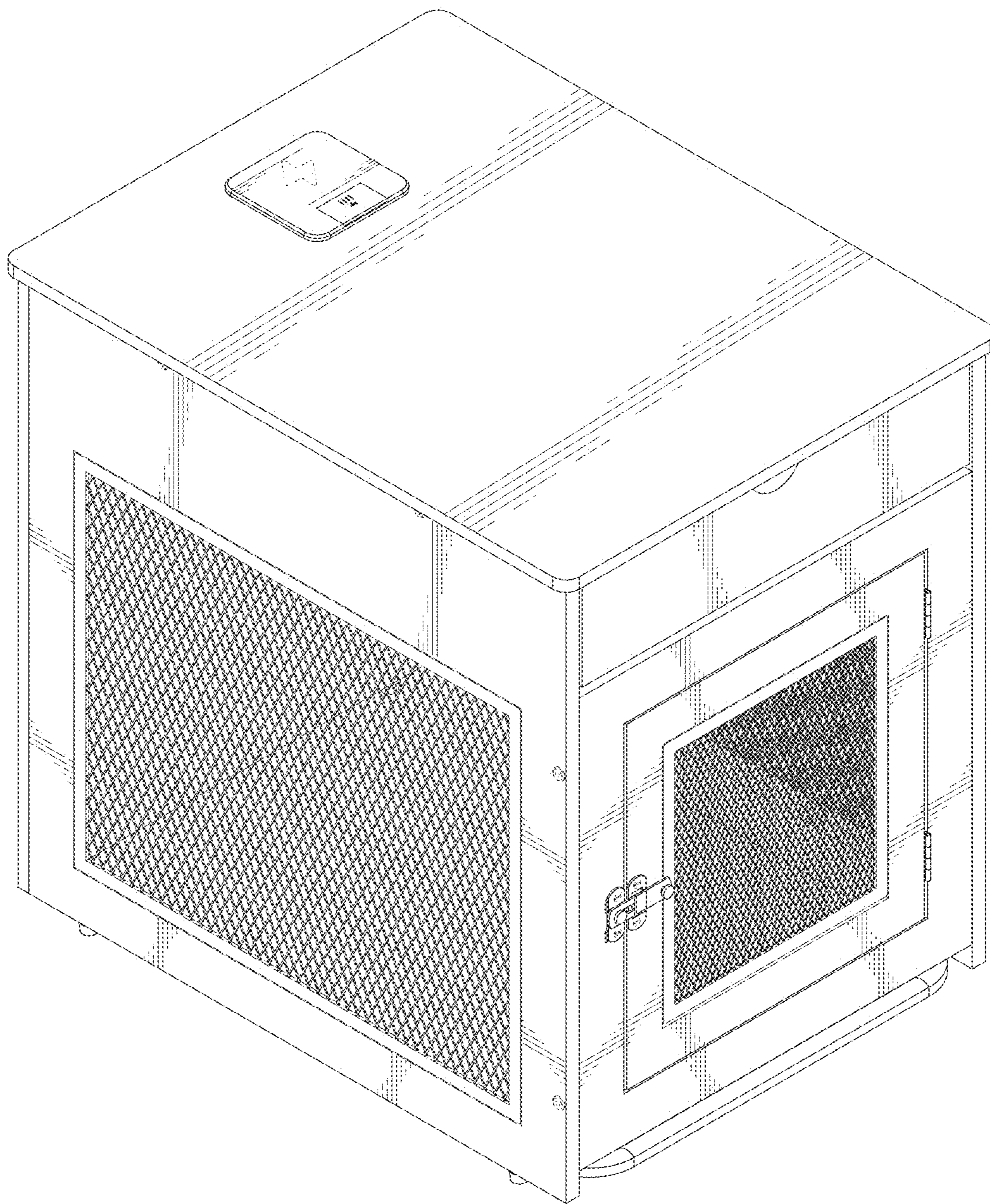


FIG. 1

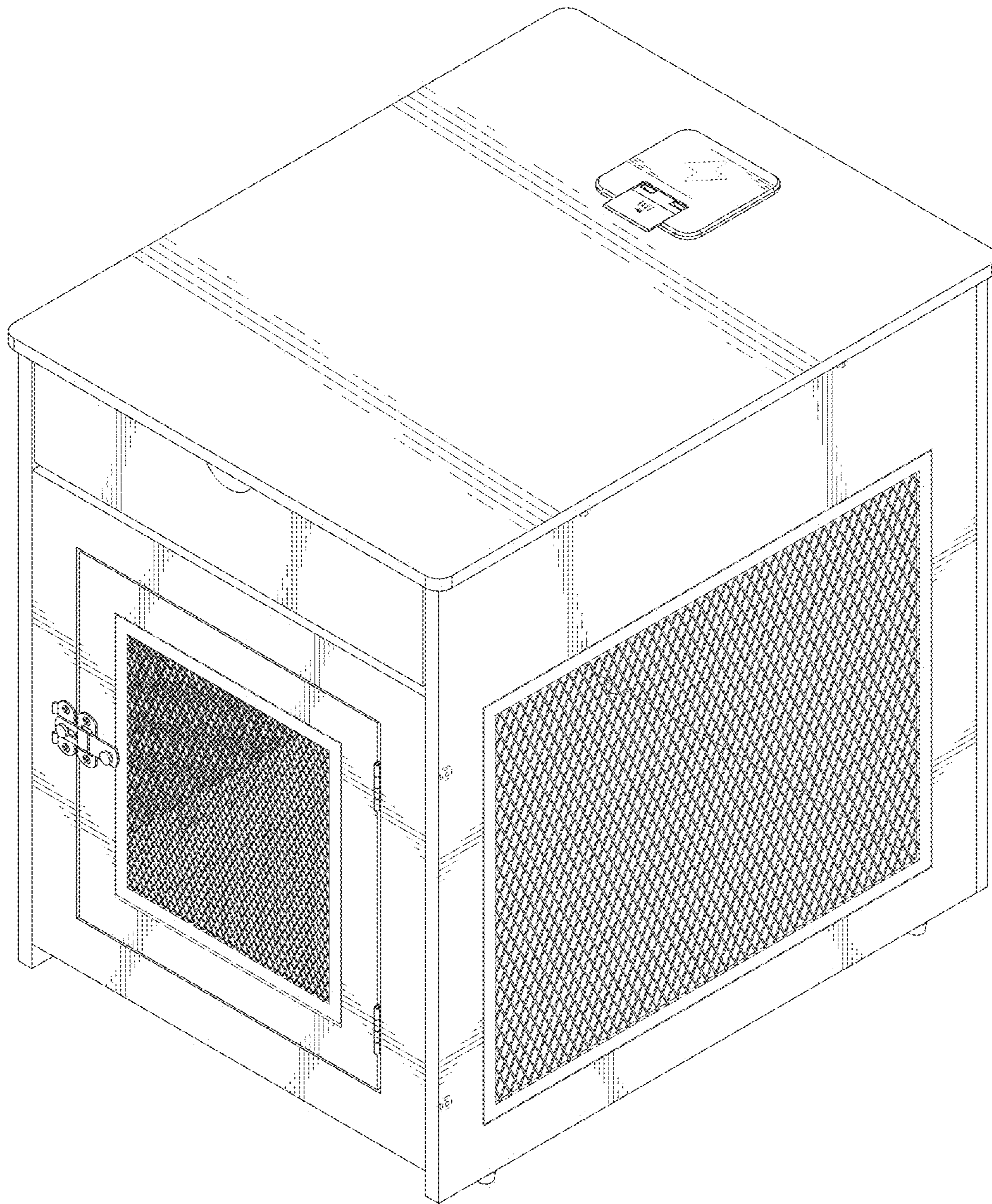


FIG. 2

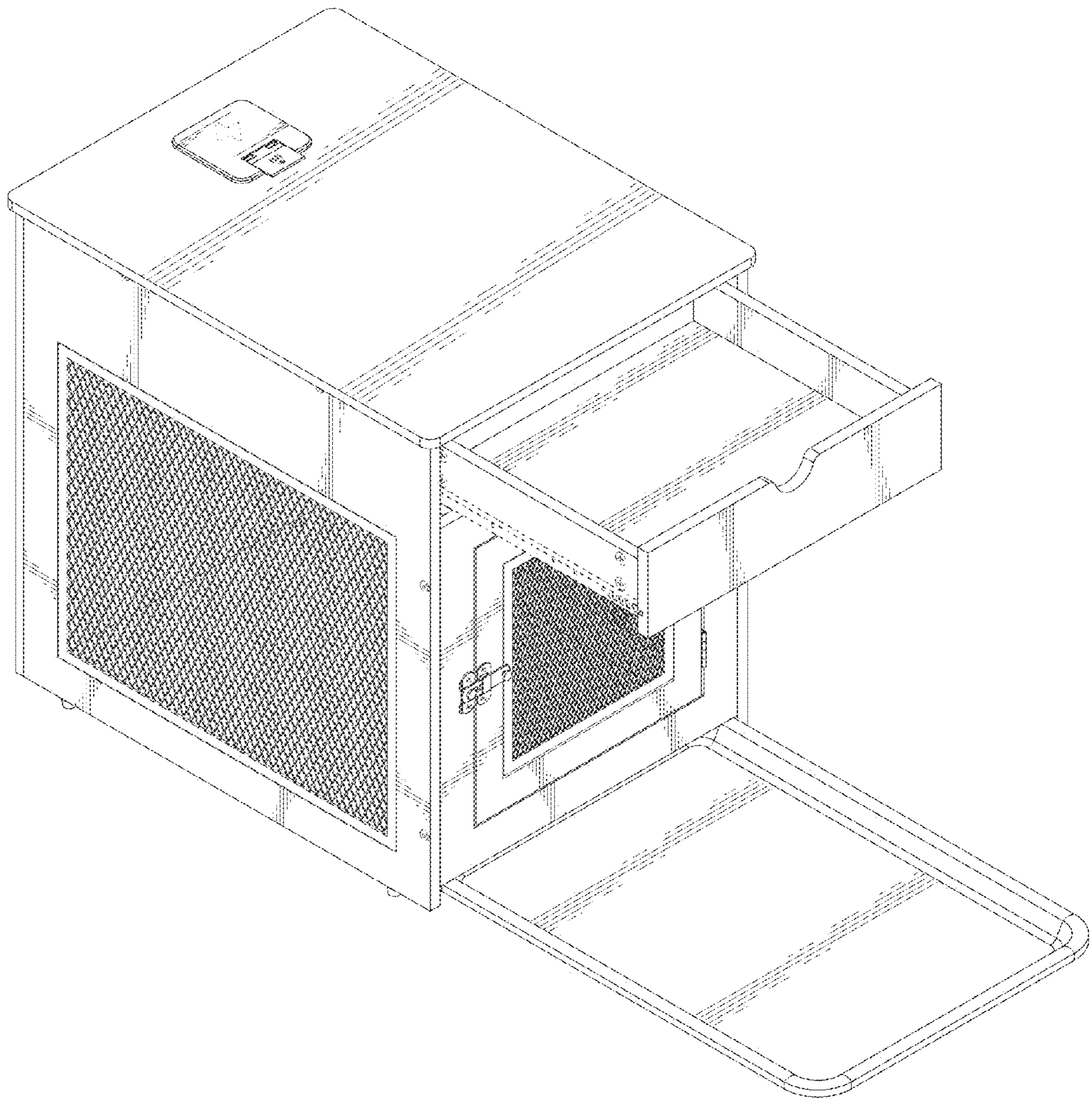


FIG. 3

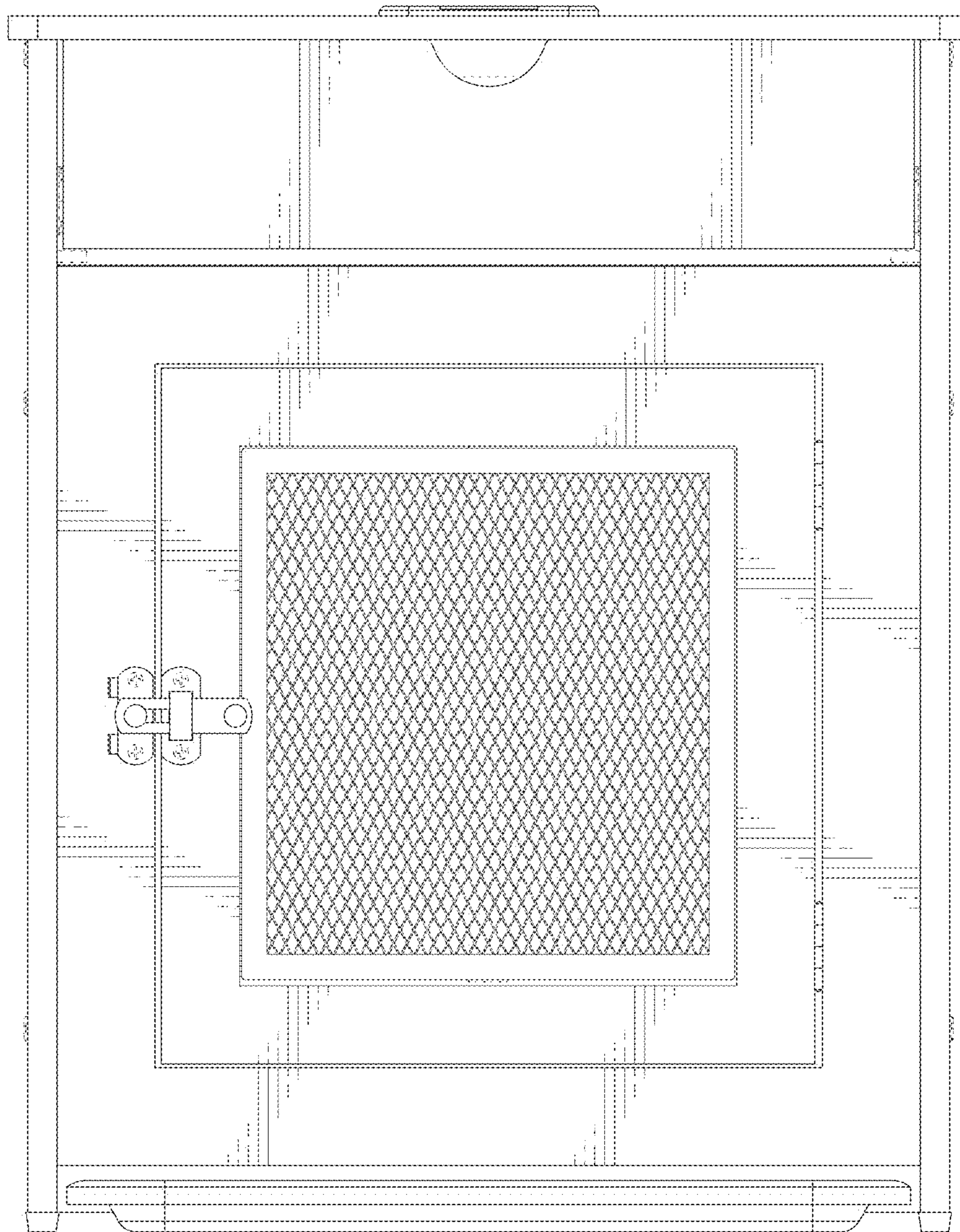


FIG. 4

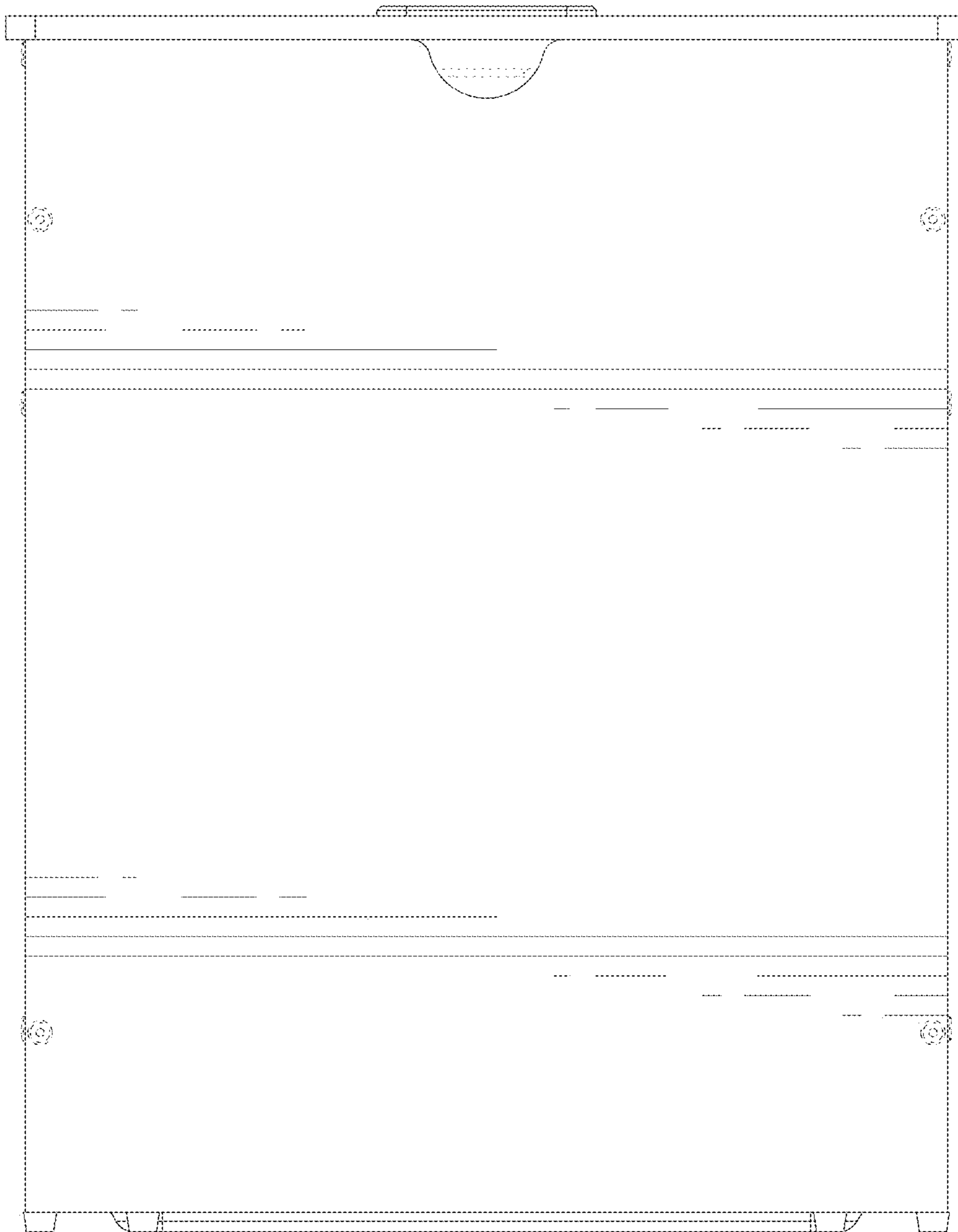


FIG. 5

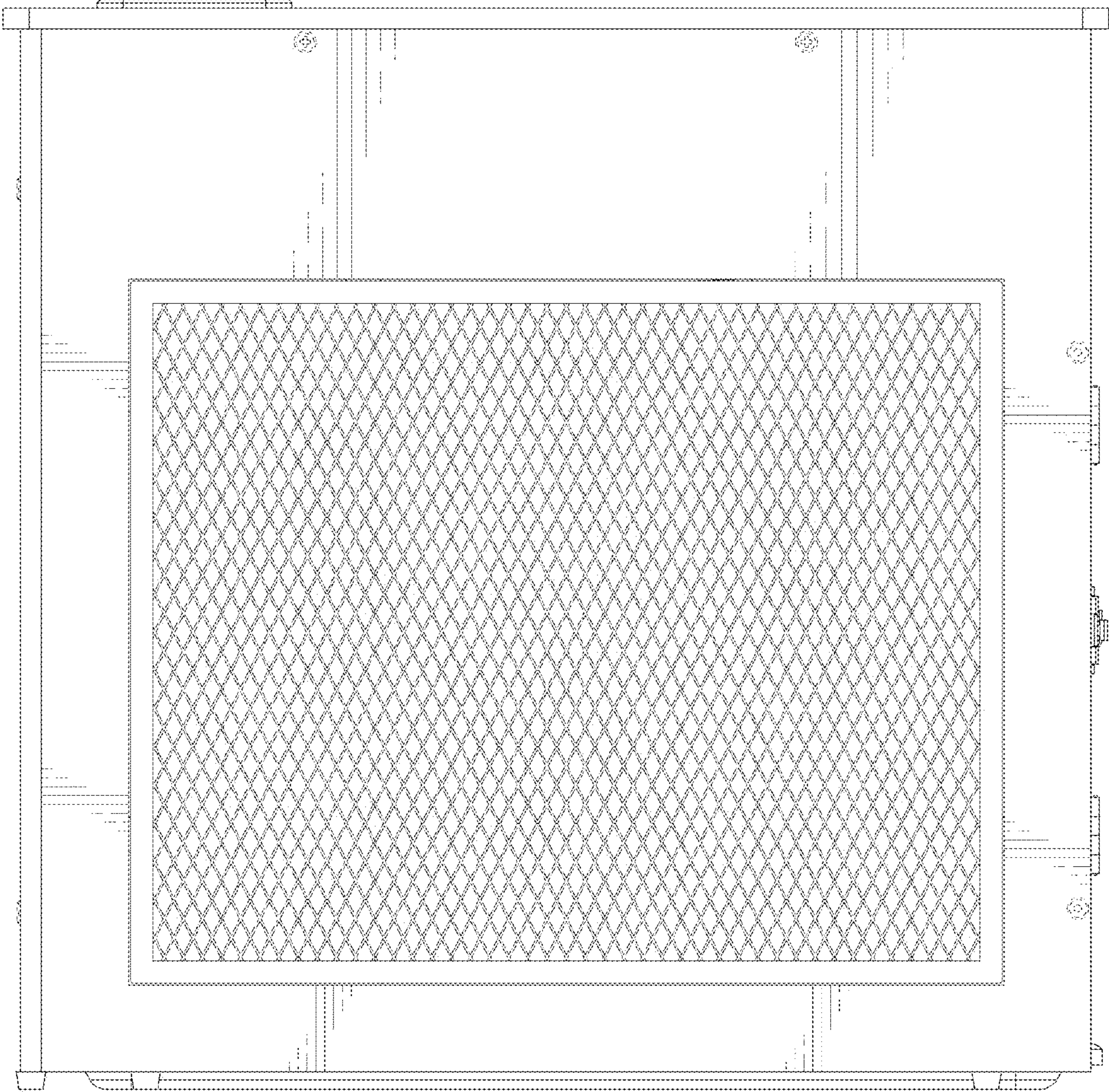


FIG. 6

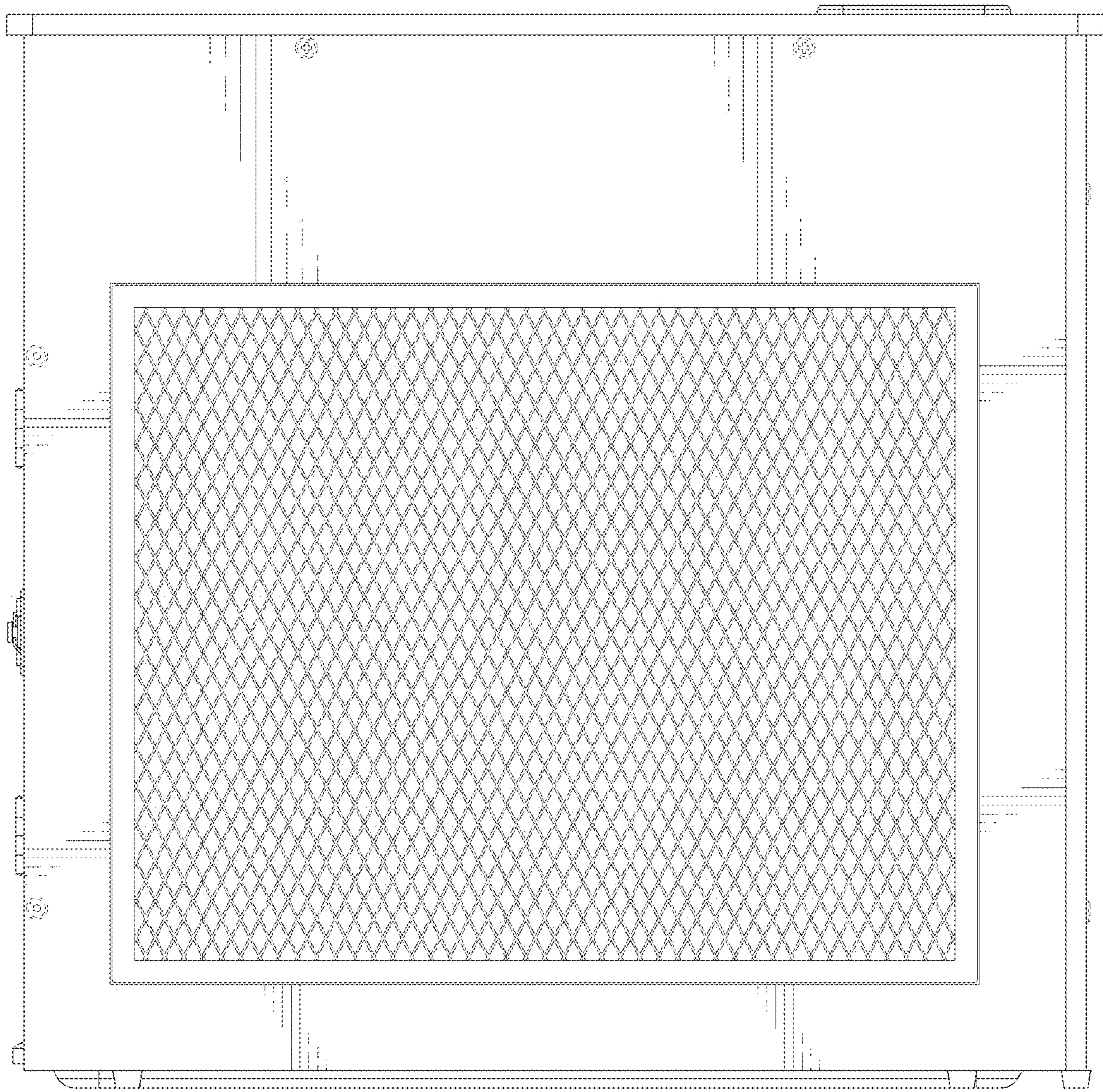


FIG. 7

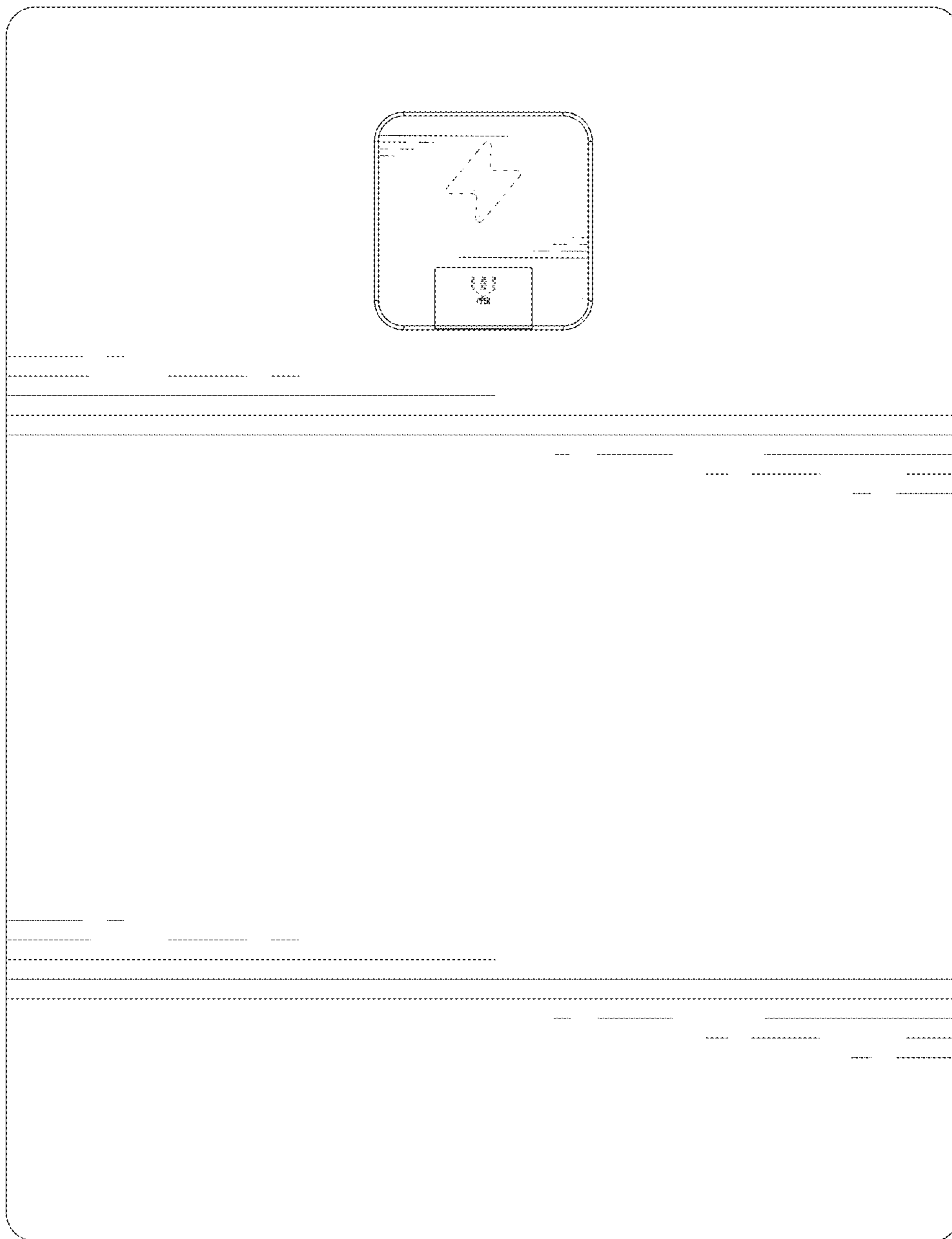


FIG. 8

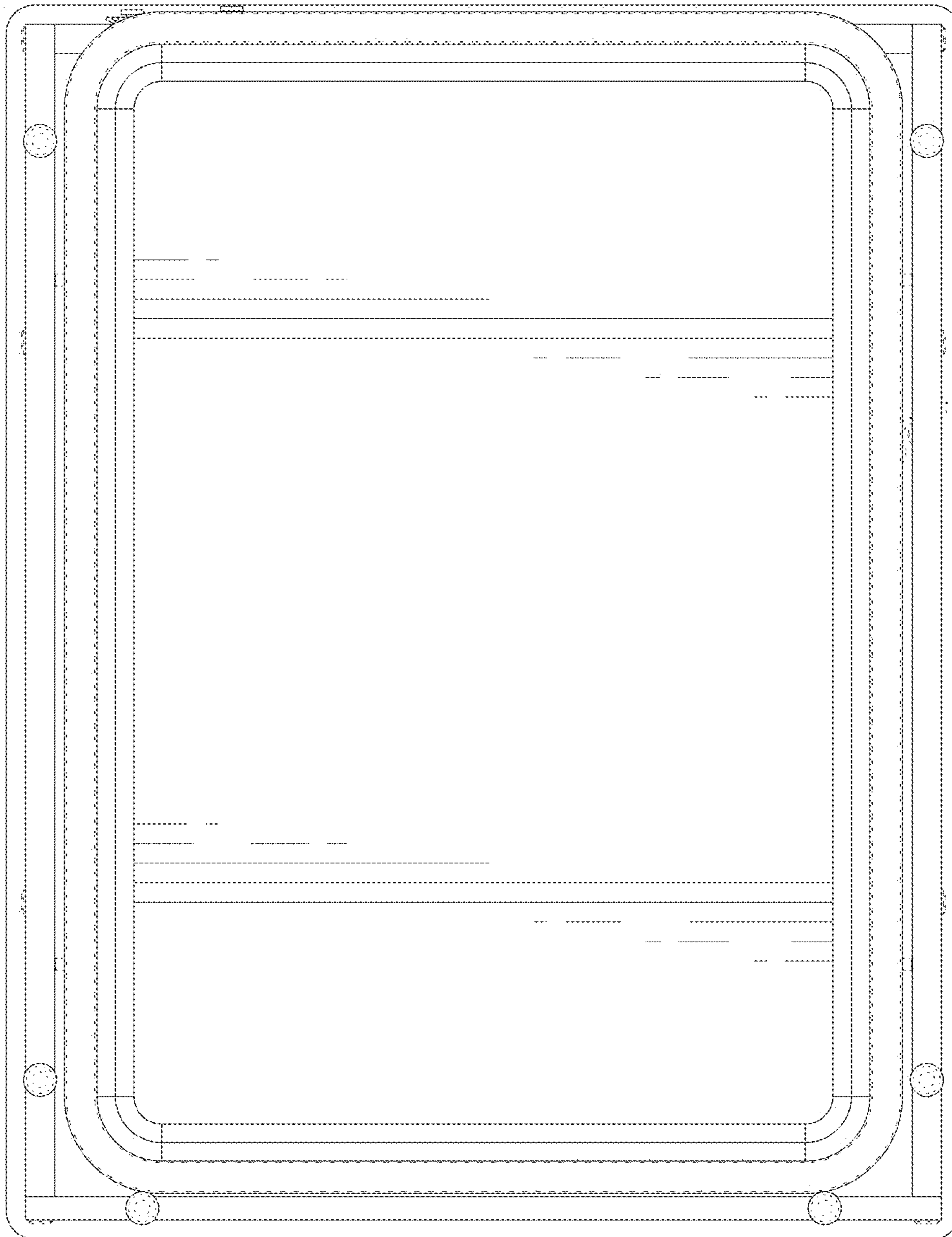


FIG. 9