



US00D985207S

(12) **United States Design Patent**
Yin

(10) **Patent No.:** **US D985,207 S**

(45) **Date of Patent:** **** May 2, 2023**

- (54) **CHICKEN COOP**
- (71) Applicant: **Langci Technology (Shenzhen) Co., Ltd.**, Shenzhen (CN)
- (72) Inventor: **Cailiang Yin**, Shenzhen (CN)
- (73) Assignee: **Langci Technology (Shenzhen) Co., Ltd.**, Shenzhen (CN)

- 1,923,980 A * 8/1933 Hultine A01K 31/16
119/329
- 1,994,208 A * 3/1935 Brown A01K 31/16
119/329
- 2,212,549 A * 8/1940 Olson A01K 39/02
D30/116
- 2,358,081 A * 9/1944 Marick A01K 31/19
219/541
- D159,431 S * 7/1950 Muehfeld D30/108
(Continued)

(**) Term: **15 Years**

(21) Appl. No.: **29/849,987**

(22) Filed: **Aug. 16, 2022**

(30) **Foreign Application Priority Data**

Aug. 4, 2022 (CN) 202230504667.0

(51) **LOC (14) Cl.** **30-02**

(52) **U.S. Cl.**
USPC **D30/119**

(58) **Field of Classification Search**
USPC D30/108-120; D25/12, 15;
D21/506-511

CPC .. A01K 1/0035; A01K 45/005; A01K 31/002;
A01K 31/22; A01K 31/18; A01K 31/005

See application file for complete search history.

(56) **References Cited**

U.S. PATENT DOCUMENTS

- D23,168 S * 4/1894 Barney D30/108
- D39,212 S * 3/1908 Pinkerton-Gardiner D30/108
- D45,774 S * 5/1914 Warnick et al. D30/108
- 1,101,427 A * 6/1914 Gaeth A01K 31/18
119/493
- 1,519,518 A * 12/1924 Thorp A01K 31/16
119/329
- 1,812,598 A * 6/1931 Macomber A01K 31/002
119/58

OTHER PUBLICATIONS

Automatic Chicken Coop Door, posted at thehappychickencoop.com, earliest date available Jun. 8, 2018, [online], acquired on Dec. 2, 2022, Available on internet. url:https://www.thehappychickencoop.com/automatic-chicken-coop-door/ (Year: 2018).*

(Continued)

Primary Examiner — Sheryl Lane

Assistant Examiner — Aula Soroush

(74) *Attorney, Agent, or Firm* — Nitin Kaushik

(57) **CLAIM**

The ornamental design for a chicken coop, as shown and described.

DESCRIPTION

FIG. 1 is a front perspective view of a chicken coop, showing my new design;

FIG. 2 is a front view thereof;

FIG. 3 is a rear view thereof;

FIG. 4 is a left side view thereof;

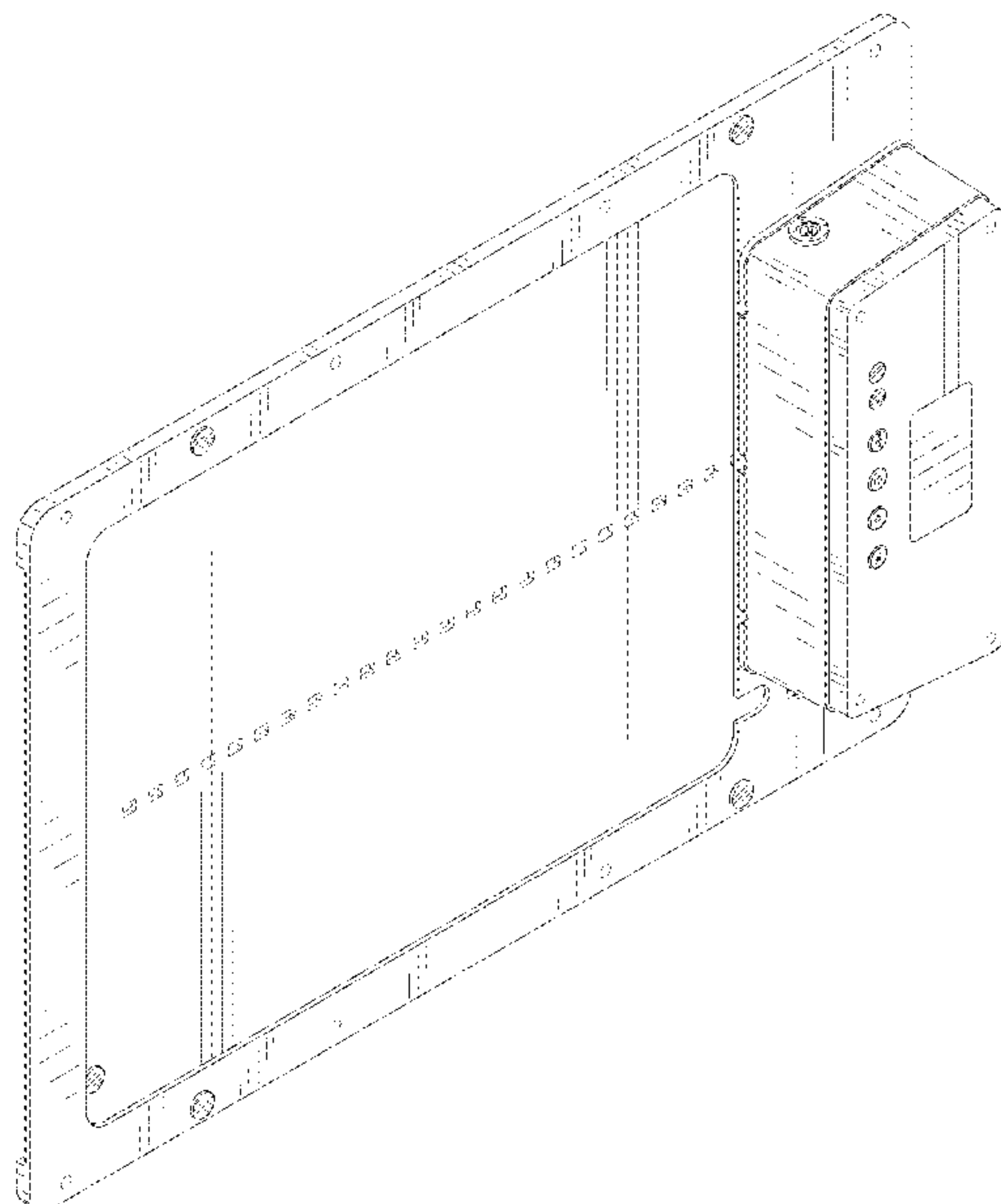
FIG. 5 is a right side view thereof;

FIG. 6 is a top view thereof; and,

FIG. 7 is a bottom view thereof.

The broken lines in the drawings illustrate the portions of the chicken coop, which form no part of the claimed design.

1 Claim, 7 Drawing Sheets



(56)

References Cited

U.S. PATENT DOCUMENTS

2,592,430 A * 4/1952 King A01K 31/16
 D30/118
 2,651,815 A * 9/1953 Aylor A01K 31/002
 D30/116
 2,863,418 A * 12/1958 Pockman A01K 31/17
 D30/116
 3,319,606 A * 5/1967 Virgil A01K 31/17
 119/458
 D218,443 S * 8/1970 Taylor D30/114
 D219,742 S * 1/1971 Binnie D30/108
 D229,948 S * 1/1974 Box D30/114
 3,797,460 A * 3/1974 Blankenship B65G 65/23
 119/455
 D245,794 S * 9/1977 Demyer D30/119
 D255,724 S * 7/1980 Carroll D30/114
 D270,297 S * 8/1983 Lovitt D30/108
 D272,566 S * 2/1984 Carroll D30/114
 D330,610 S * 10/1992 Johnson D30/118
 D330,611 S * 10/1992 Johnson D30/118
 D373,689 S * 9/1996 Lladro Roig D6/661
 D381,776 S * 7/1997 Potente D30/110
 D400,265 S * 10/1998 Davlantes D25/48.3
 D407,500 S * 3/1999 Gribble D25/48.3
 D476,780 S * 7/2003 Cheshire D30/108

D524,994 S * 7/2006 Hamm D30/108
 D629,205 S * 12/2010 McGregor D30/120
 D734,568 S * 7/2015 Miller
 D754,404 S * 4/2016 Jansen D30/119
 9,775,329 B1 * 10/2017 Miller A01K 31/02
 D884,981 S * 5/2020 Lamote D30/108
 D897,559 S * 9/2020 Taylor D25/48.3
 11,533,891 B1 * 12/2022 Marki E05F 15/665
 2015/0272082 A1 * 10/2015 Miller A01K 31/18
 49/29
 2016/0345545 A1 * 12/2016 Huisinga A01K 31/04
 2019/0254261 A1 * 8/2019 Volin A01K 31/02

OTHER PUBLICATIONS

Automatic Chicken Coop Door with Light Sensing, posted at kindappl.com, earliest date available unknown, [online], acquired on Dec. 2, 2022, Available on internet. url:https://www.kindappl.com/products/automatic-chicken-coop-door-with-light-sensing?data_from=search_detail (Year: 2022).*

Auto Chicken Door Automatic Chicken Coop Door Kit Opener, posted at alibaba.com, earliest date available unknown, [online], acquired on Dec. 2, 2022, Available on internet. url:https://www.alibaba.com/product-detail/USA-In-Stock-Auto-Chicken-Door_1600467474487.html (Year: 2022).*

* cited by examiner

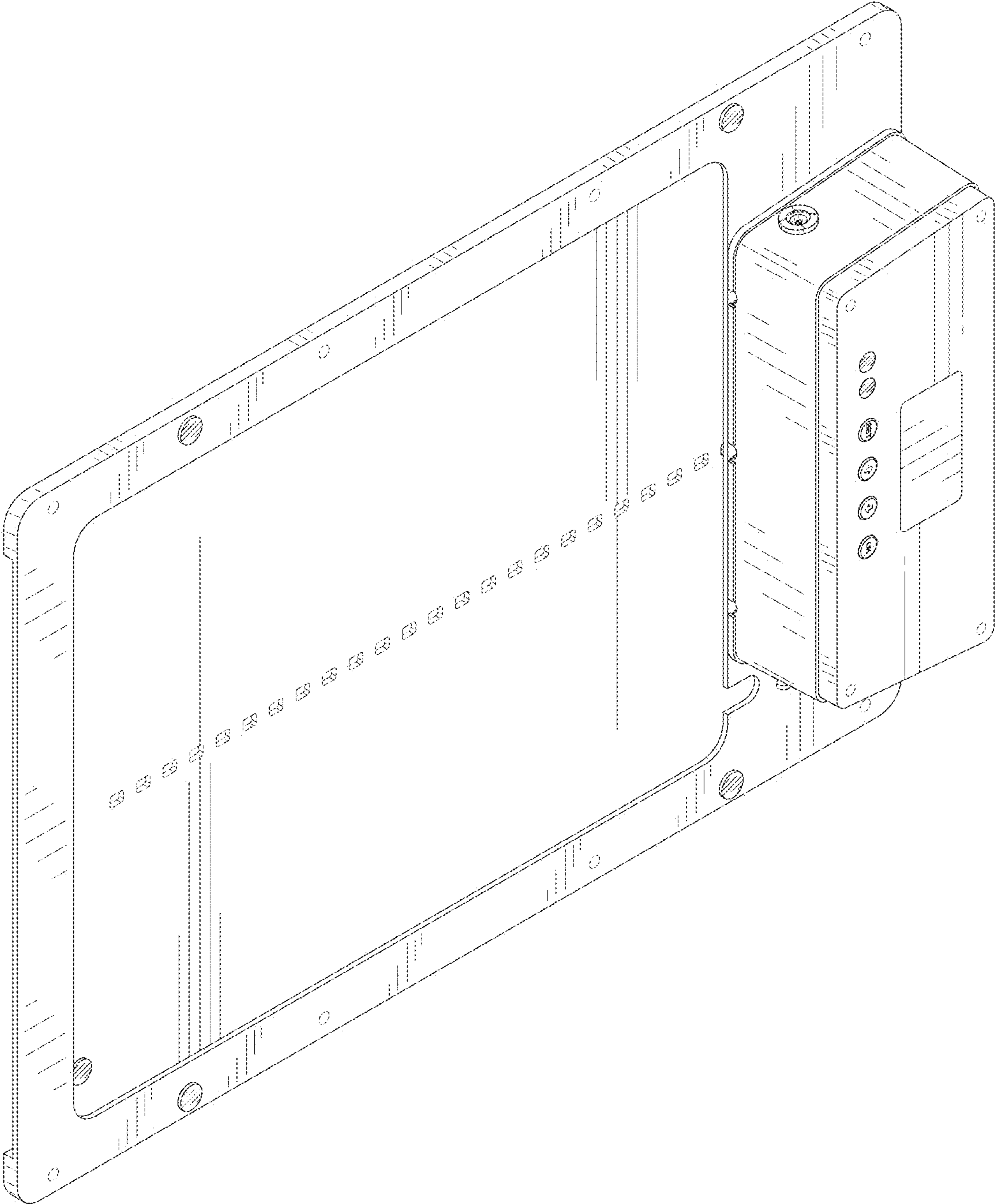


FIG. 1

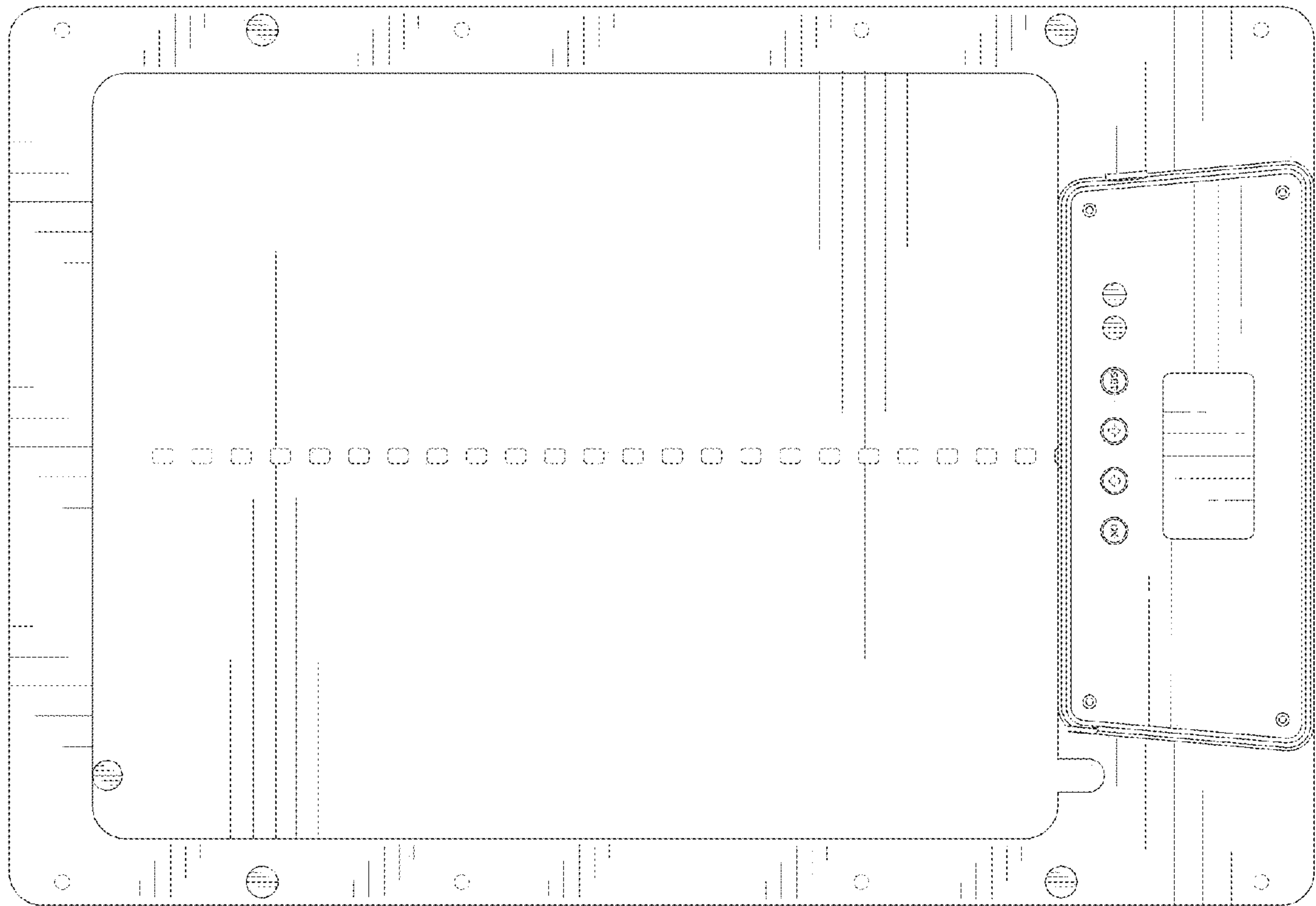


FIG. 2

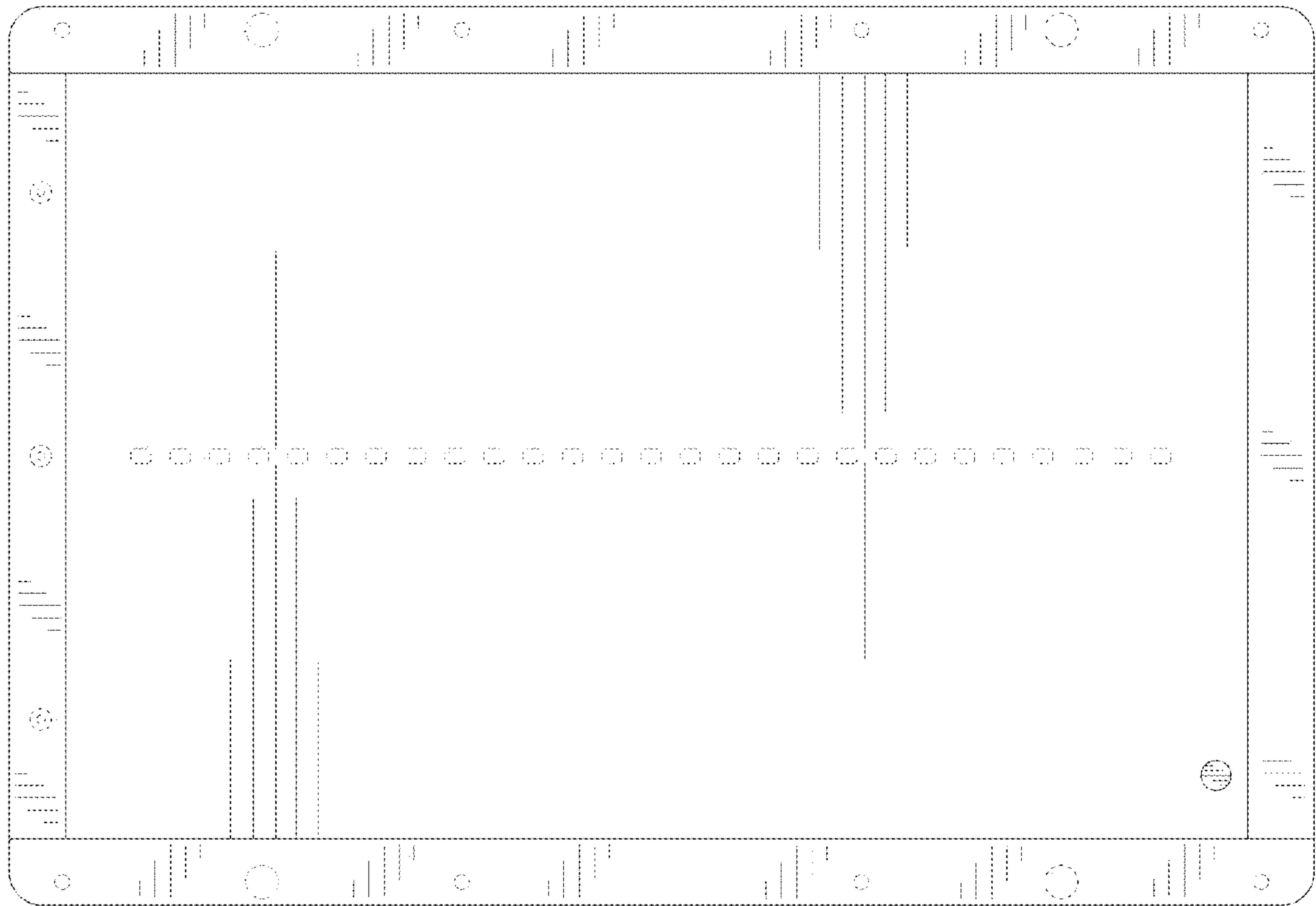


FIG. 3

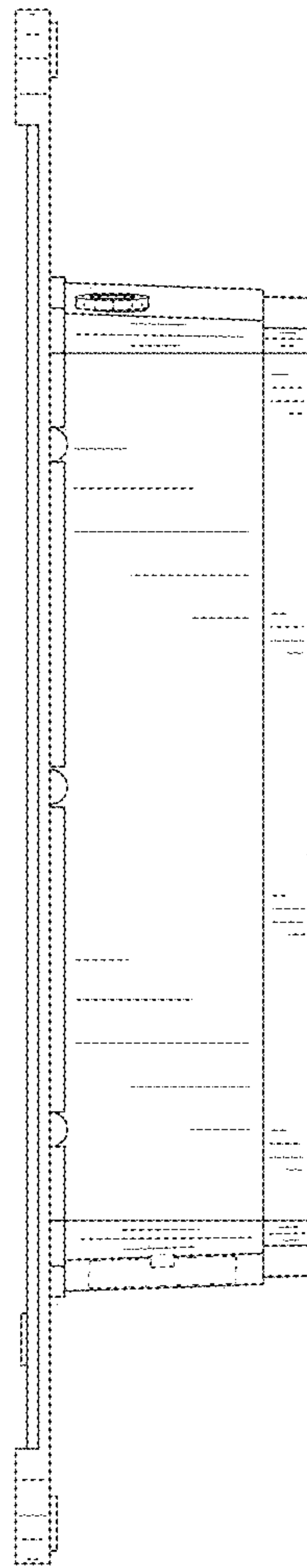


FIG. 4

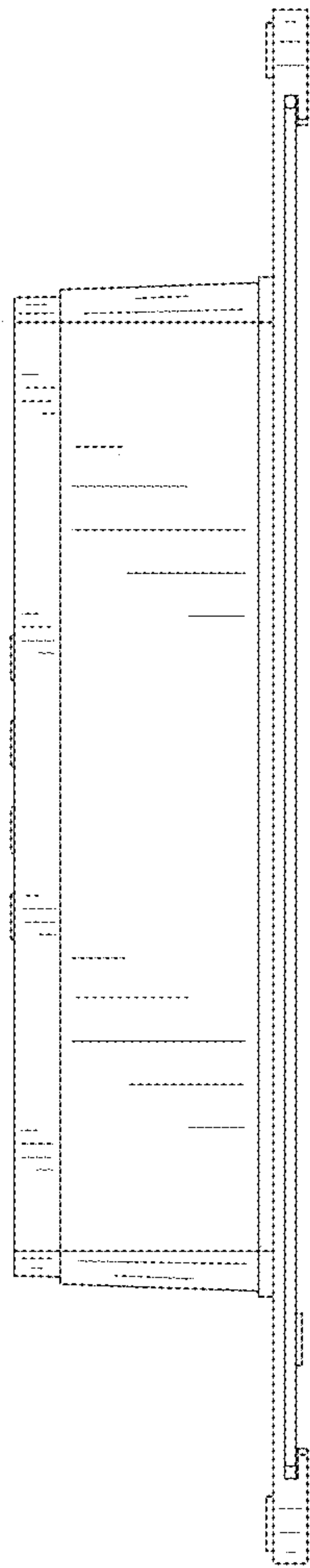


FIG. 5

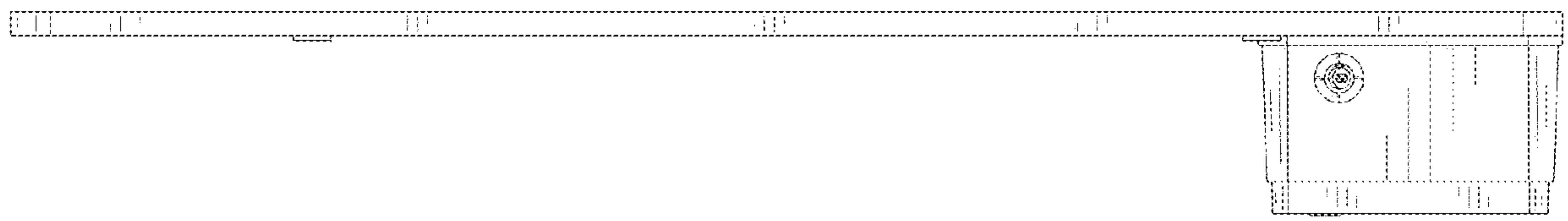


FIG. 6

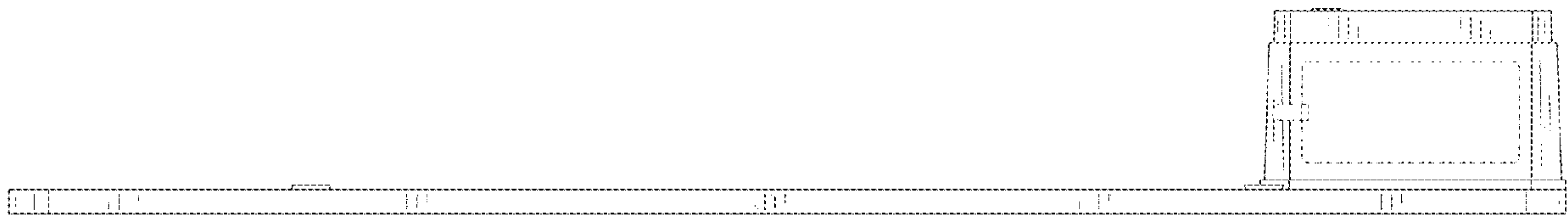


FIG. 7