



US00D985206S

(12) **United States Design Patent**  
**Zeng**

(10) **Patent No.:** **US D985,206 S**

(45) **Date of Patent:** **\*\* May 2, 2023**

- (54) **CANDLE TOOL**
- (71) Applicant: **Pengwei Zeng**, Xingning (CN)
- (72) Inventor: **Pengwei Zeng**, Xingning (CN)
- (\*\*) Term: **15 Years**
- (21) Appl. No.: **29/817,781**
- (22) Filed: **Dec. 3, 2021**
- (51) **LOC (14) Cl.** ..... **26-99**
- (52) **U.S. Cl.**  
USPC ..... **D29/127**
- (58) **Field of Classification Search**  
USPC ..... D29/127; D8/107  
CPC ..... F23Q 25/00  
See application file for complete search history.

- 1,941,072 A \* 12/1933 Benziger ..... F23Q 25/00  
431/145
- 2,406,518 A \* 8/1946 Urbank ..... 431/289
- D157,245 S \* 2/1950 Egle ..... D29/127
- 2,785,556 A \* 3/1957 Smith ..... F23Q 25/00  
431/290
- 3,985,492 A \* 10/1976 Nunemaker ..... F23Q 1/06  
431/144
- D293,365 S \* 12/1987 George ..... D7/416
- D330,784 S \* 11/1992 Zuffoletti ..... D29/127
- 5,344,309 A \* 9/1994 Phare ..... F23Q 25/00  
431/145
- D377,745 S \* 2/1997 Laun ..... D8/107

(Continued)

**FOREIGN PATENT DOCUMENTS**

- HK 1000178-0001 \* 1/2010
- IL 34682 \* 1/2001

*Primary Examiner* — Kimberly Barnes  
(74) *Attorney, Agent, or Firm* — Che-Yang Chen; Law Office of Michael Chen

(56) **References Cited**

**U.S. PATENT DOCUMENTS**

- 329,765 A \* 11/1885 O'Boylan ..... F23Q 25/00  
431/144
- 501,780 A \* 7/1893 Geissler ..... F23Q 25/00  
431/144
- 515,575 A \* 2/1894 Curran ..... F23Q 25/00  
431/145
- 717,186 A \* 12/1902 Galipeau ..... F23Q 25/00  
431/145
- 921,323 A \* 5/1909 White ..... F23Q 25/00  
431/144
- 1,572,316 A \* 2/1926 Schroeder ..... F23Q 25/00  
431/144
- 1,577,550 A \* 3/1926 Woerner ..... F23Q 25/00  
431/144
- 1,740,623 A \* 12/1929 Payne ..... F23Q 13/04  
431/144
- 1,822,652 A \* 9/1931 Gluckert ..... F23Q 25/00  
431/144
- 1,936,691 A \* 11/1933 Soss ..... F23Q 25/00  
431/144

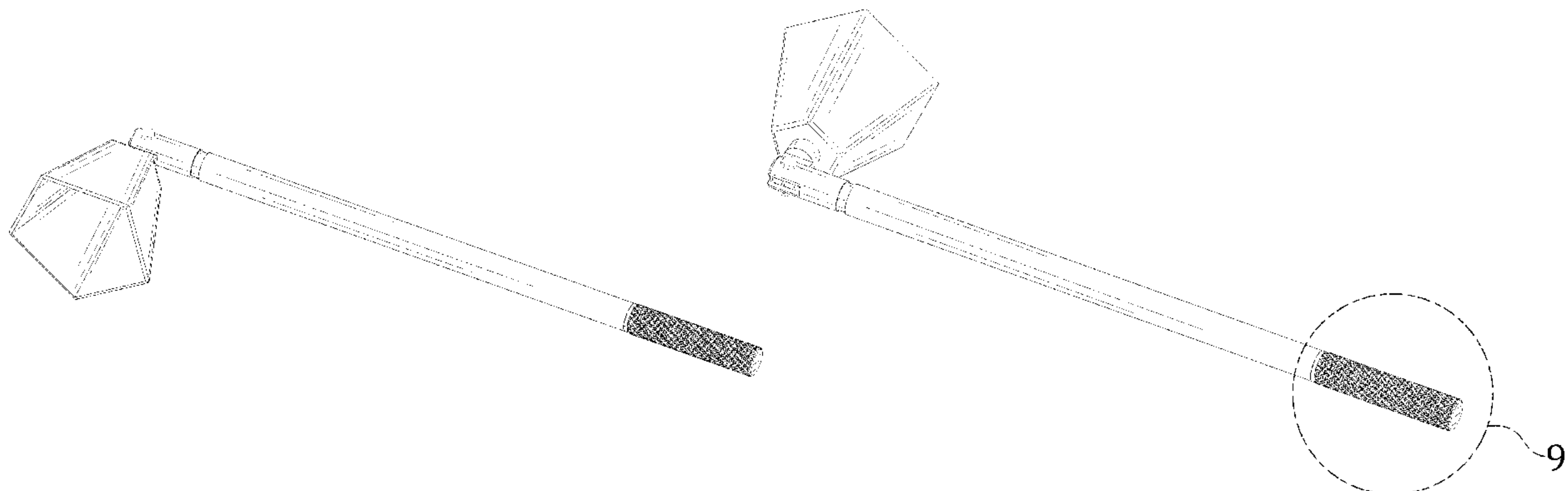
(57) **CLAIM**

The ornamental design for a candle tool, substantially as shown and described.

**DESCRIPTION**

FIG. 1 is a bottom, rear and right side perspective view of a candle tool, showing my new design;  
FIG. 2 is a top, rear and left side perspective view;  
FIG. 3 is a front elevational view thereof;  
FIG. 4 is a rear elevational view thereof;  
FIG. 5 is a left side elevational view thereof;  
FIG. 6 is a right side elevational view thereof;  
FIG. 7 is a top plan view thereof;  
FIG. 8 is a bottom plan view thereof; and,  
FIG. 9 is a partial enlarged view of FIG. 2.  
The broken lines in the drawings illustrate the portions of the candle tool which form no part of the claimed design.

**1 Claim, 9 Drawing Sheets**



(56)

**References Cited**

U.S. PATENT DOCUMENTS

5,820,360 A \* 10/1998 Callahan ..... F23Q 25/00  
D26/23  
5,944,505 A \* 8/1999 Kroeher ..... F23Q 25/00  
431/35  
6,267,581 B1 \* 7/2001 Harrison ..... F23Q 25/00  
431/144  
D454,232 S \* 3/2002 LaVanier ..... F23Q 25/00  
D29/127  
D454,233 S \* 3/2002 Cousins ..... F23Q 25/00  
D29/127  
D502,574 S 3/2005 McMinn  
D901,275 S \* 11/2020 Su ..... D8/107  
2008/0311532 A1 \* 12/2008 Burlew ..... F23Q 25/00  
431/149

\* cited by examiner

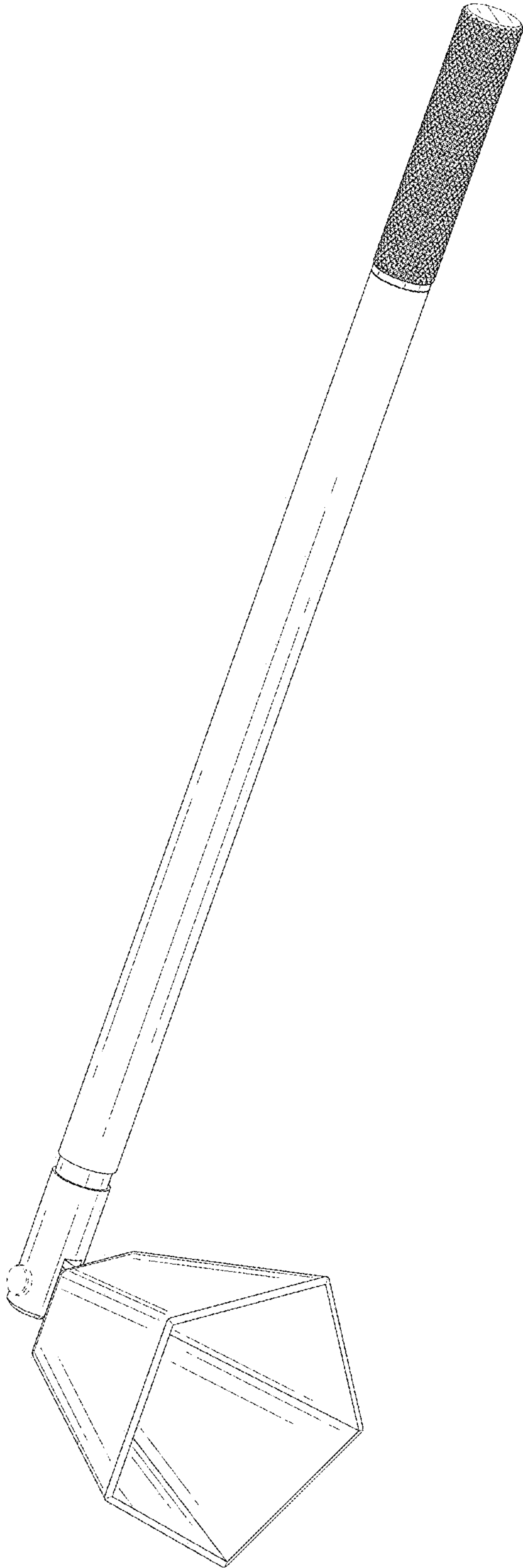


FIG. 1

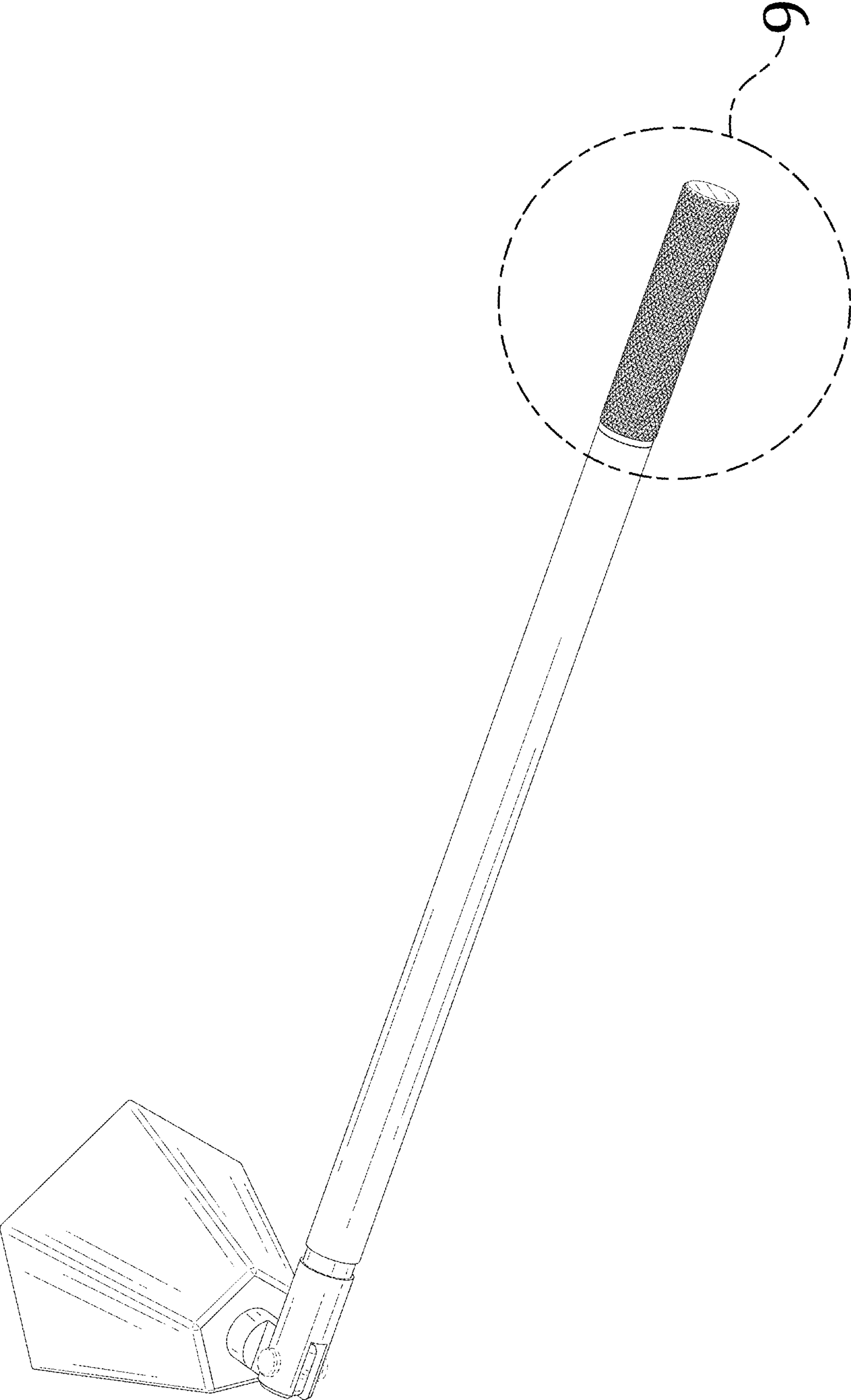


FIG. 2

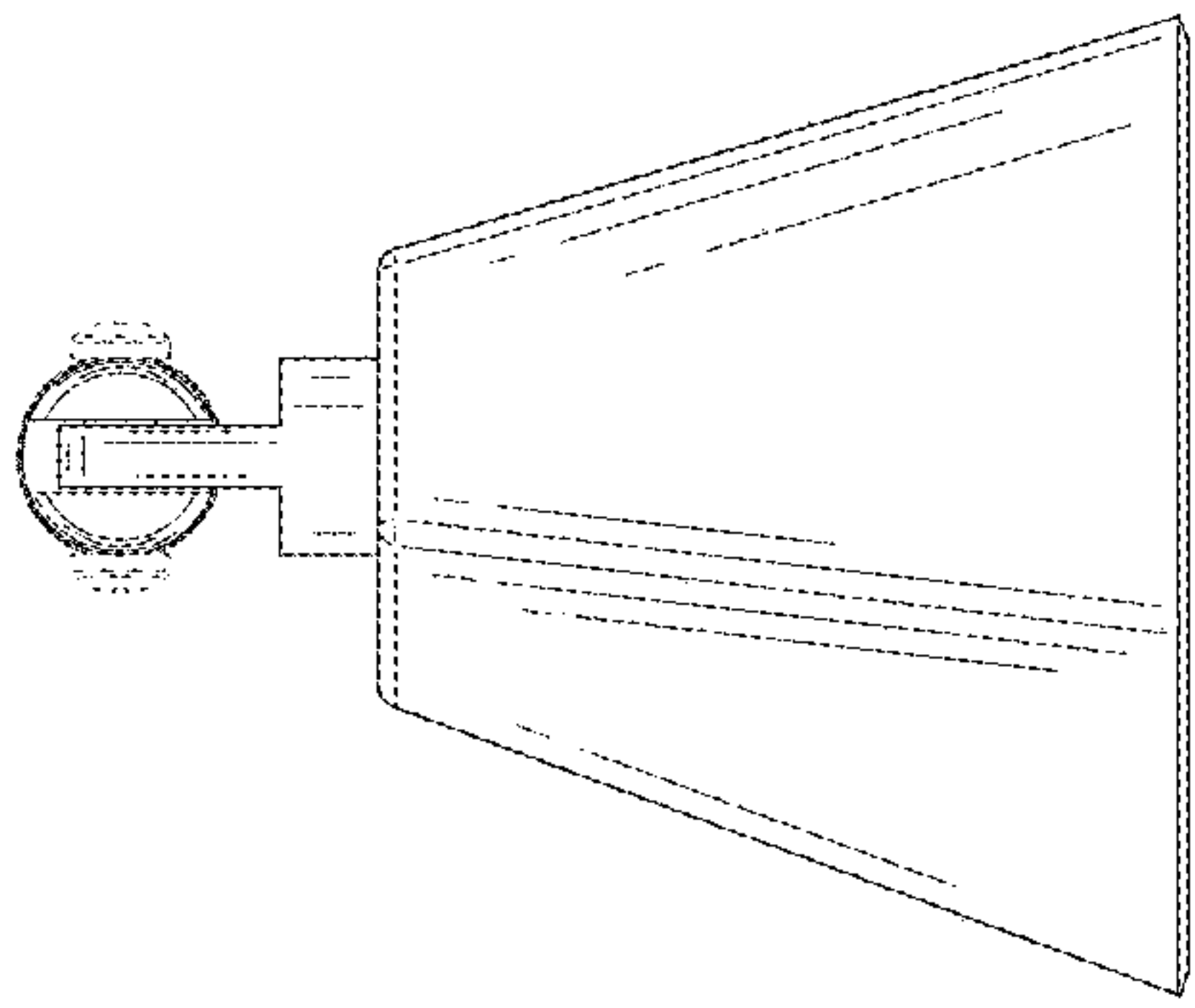


FIG. 3

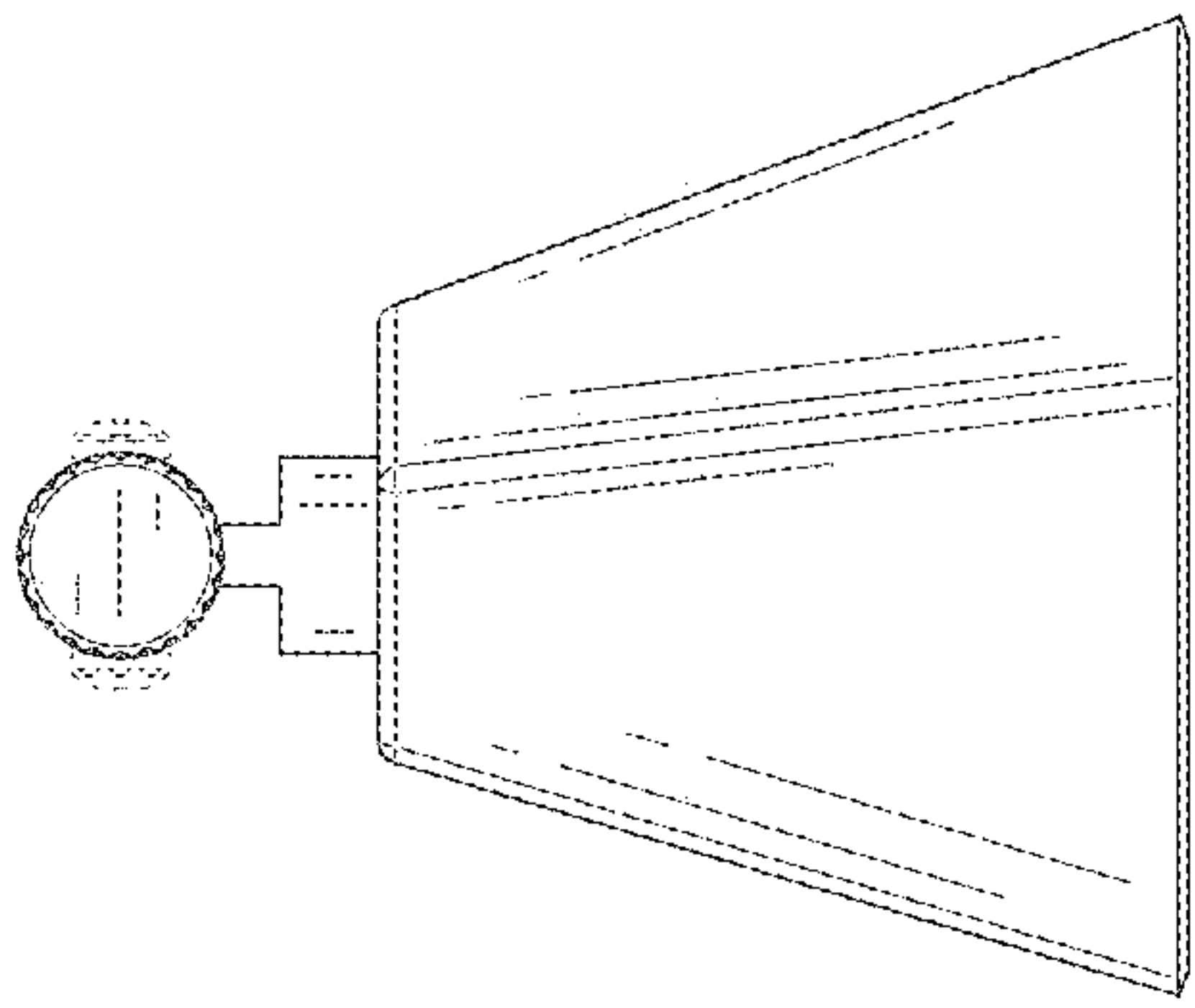


FIG. 4

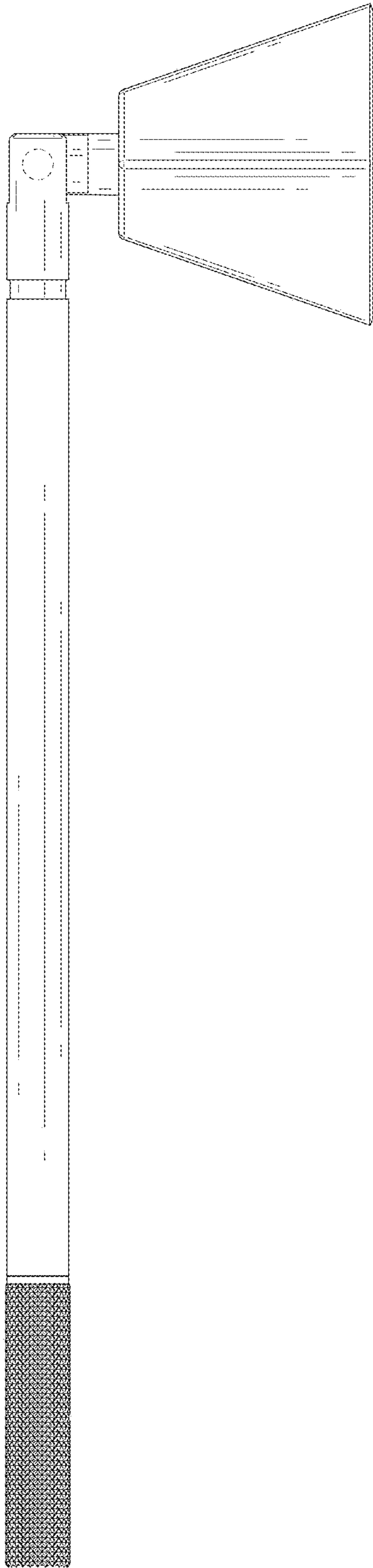


FIG. 5



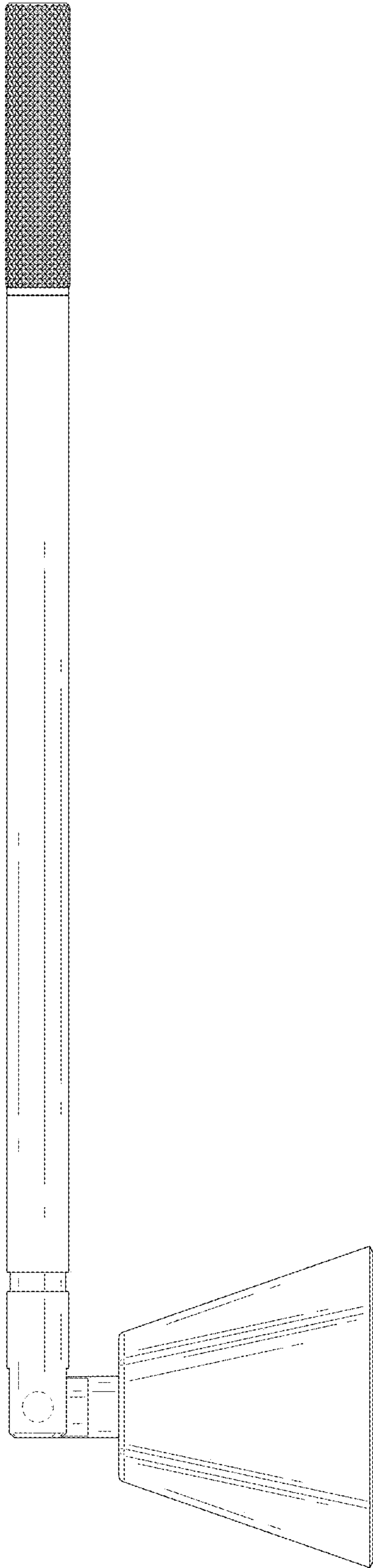


FIG. 6



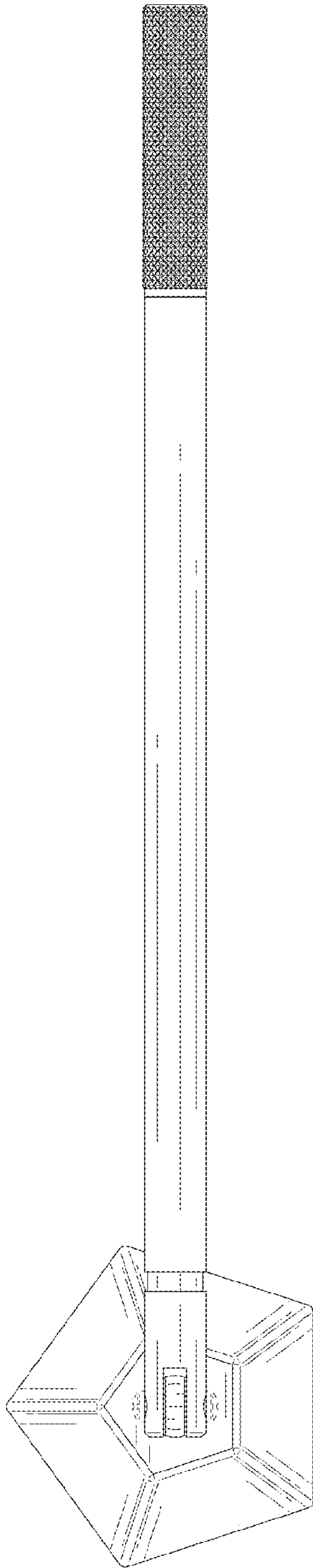


FIG. 7

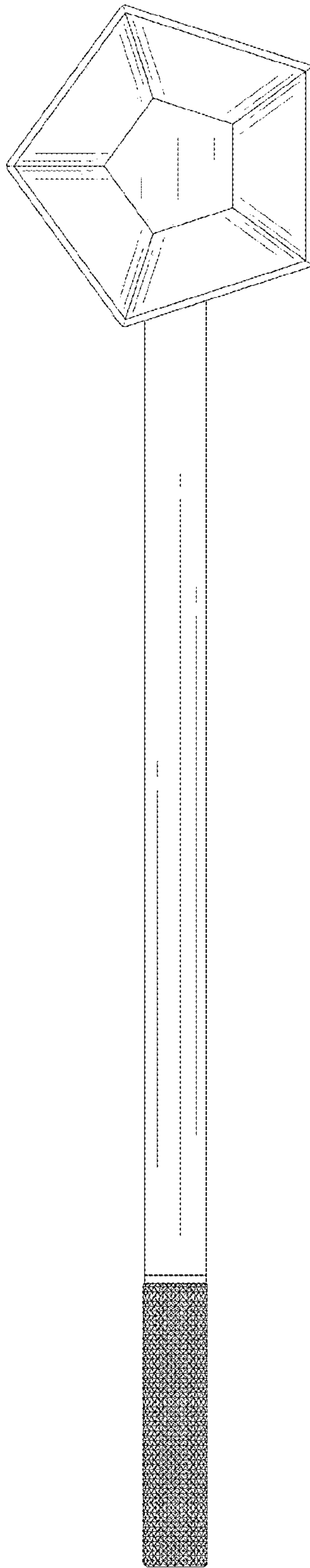


FIG. 8

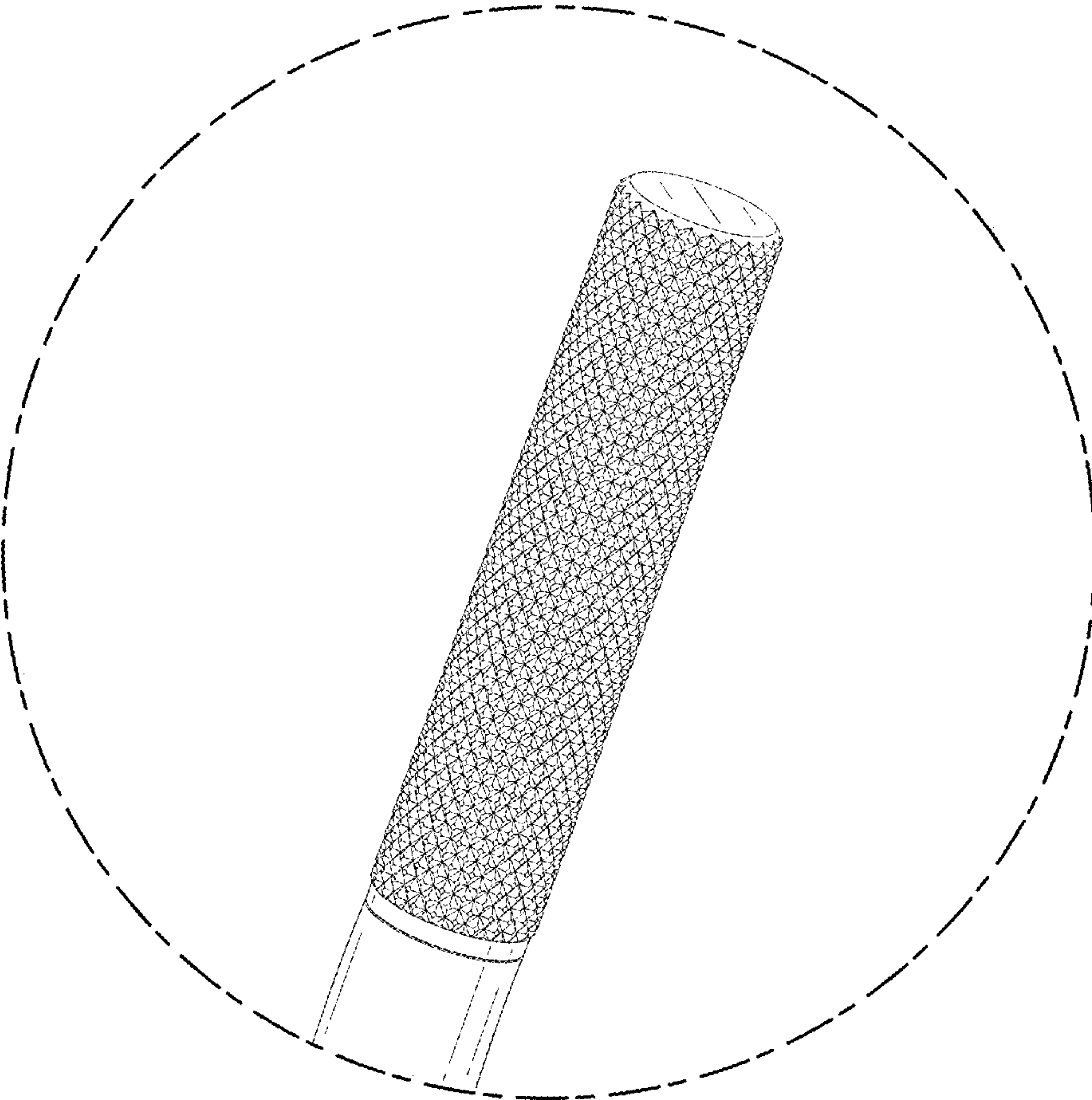


FIG. 9