



US00D985202S

(12) **United States Design Patent** (10) **Patent No.:** **US D985,202 S**
Pang (45) **Date of Patent:** **** May 2, 2023**

(54) **BACK SCRATCHER**

FOREIGN PATENT DOCUMENTS

(71) Applicant: **Muxing Pang**, Maoming (CN)

CN 202230484722.4 * 12/2022

(72) Inventor: **Muxing Pang**, Maoming (CN)

OTHER PUBLICATIONS

(**) Term: **15 Years**

(21) Appl. No.: **29/853,861**

(22) Filed: **Sep. 20, 2022**

(30) **Foreign Application Priority Data**

Jul. 27, 2022 (CN) 202230484722.4

(51) **LOC (14) Cl.** **28-99**

(52) **U.S. Cl.**
USPC **D28/91.2**

(58) **Field of Classification Search**
USPC D28/91.2; D30/158-159
CPC A61H 7/00; A61H 7/002; A61H 7/003;
A61H 2205/081; A61H 2201/169-1692
See application file for complete search history.

WOVTE Bear Claw Telescopic Back Scratcher, first available on Nov. 18, 2015 on amazon.com, retrieved from: https://www.amazon.com/WOVTE-Bear-Black-Telescopic-Scratcher/dp/B018EBNSBO/ref=ice_ac_b_dpb_sspa?crd=2TC96QSWD3SCU&keywords=wovte%2Bbear%2Bclaw%2Bblack%2Btelescopic%2Bback%2Bscratcher&qid=1674659669&srefix=wo.*

Cerrxian Telescoping Back Scratcher, first available on Aug. 29, 2016 on amazon.com, retrieved from: https://www.amazon.com/Portable-Extendable-Telescopic-Scratchers-Massager/dp/B01L6Y0U30/ref=sr_1_5?crd=2T541QOQGTGCH&keywords=cerrxian+back+scratcher&qid=1674659742&srefix=cerr%2Caps%2C243&sr=8-5.*

* cited by examiner

Primary Examiner — Alison M Ofstun

(57) **CLAIM**

The ornamental design for a back scratcher, as shown and described.

(56) **References Cited**

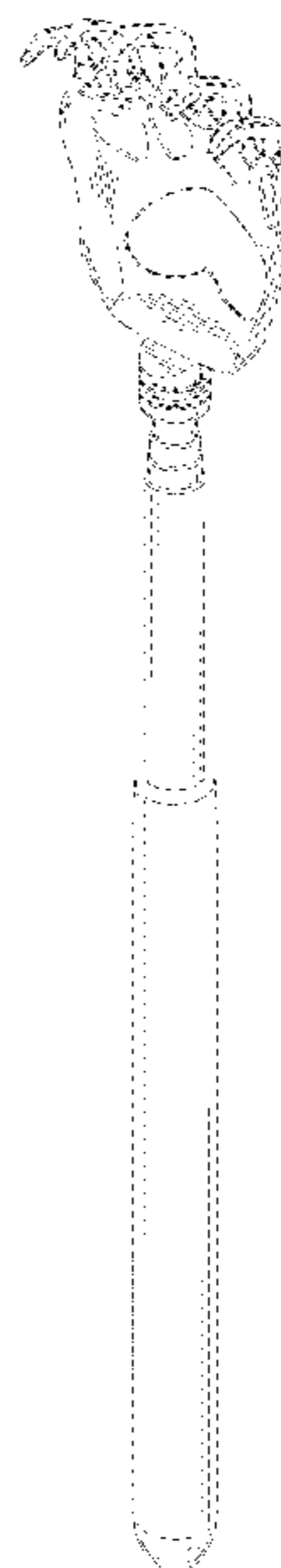
DESCRIPTION

U.S. PATENT DOCUMENTS

D392,070 S * 3/1998 Pitaro D28/99
D610,311 S * 2/2010 Campbell D28/91.2
D672,925 S * 12/2012 Hungerford D30/158
D688,009 S * 8/2013 Mahoney, Jr. D8/13
D710,112 S * 8/2014 Dunn D4/125
D908,287 S * 1/2021 Zheng D28/91.2
D925,128 S 7/2021 Yang et al.
D942,694 S * 2/2022 Yang D28/91.2
D950,152 S * 4/2022 Daniel D28/7
D970,744 S * 11/2022 Evans D24/215
D975,927 S * 1/2023 Zhou D28/91.2
2006/0142679 A1 * 6/2006 Tan A61H 7/001
601/135
2019/0373855 A1 * 12/2019 Tayhan A01K 13/00

FIG. 1 is a front and top perspective view of a back scratcher, showing my new design;
FIG. 2 is a rear and bottom perspective view thereof;
FIG. 3 is a front elevation view thereof;
FIG. 4 is a rear elevation view thereof;
FIG. 5 is a left side elevation view thereof;
FIG. 6 is a right side elevation view thereof;
FIG. 7 is a top plan view thereof;
FIG. 8 is a bottom plan view thereof; and,
FIG. 9 is another perspective view thereof, shown in an alternative position.

1 Claim, 9 Drawing Sheets



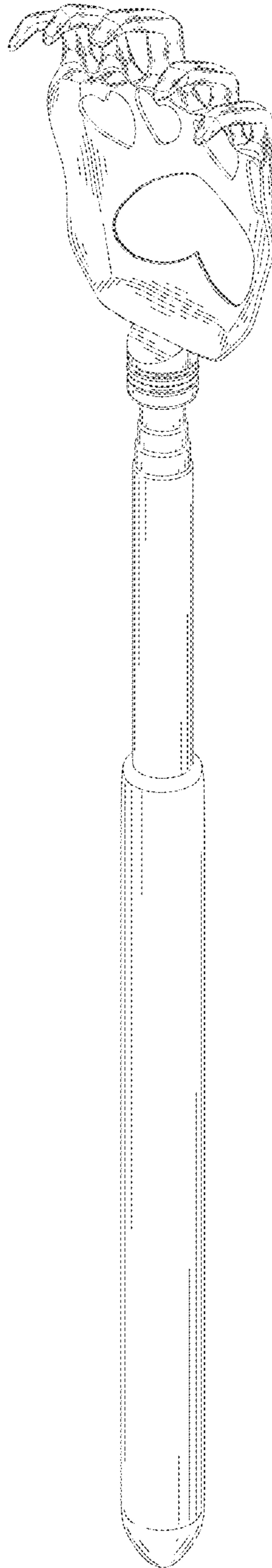


FIG. 1

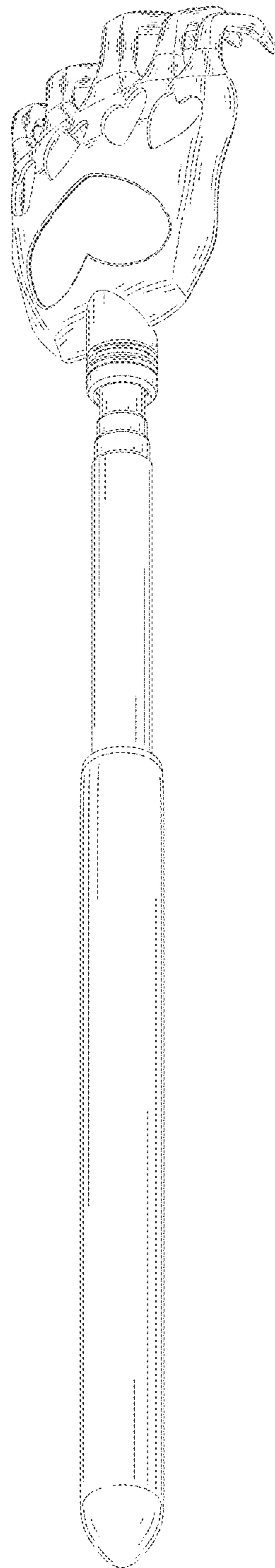


FIG. 2

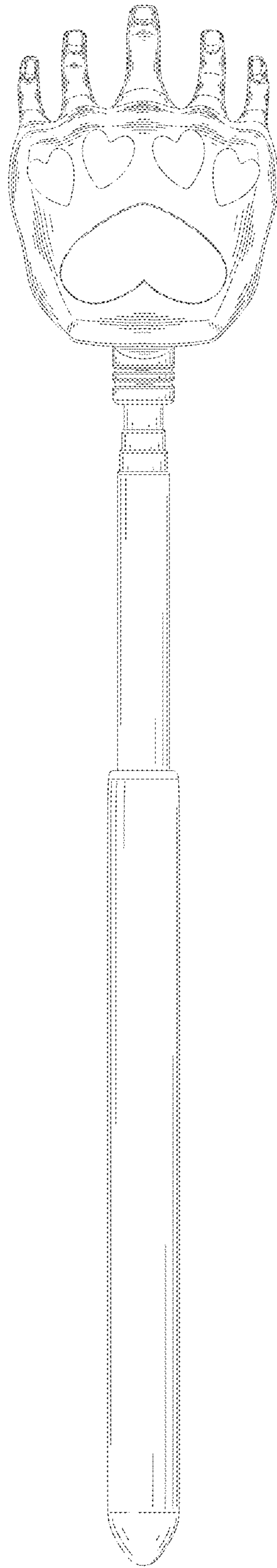


FIG. 3

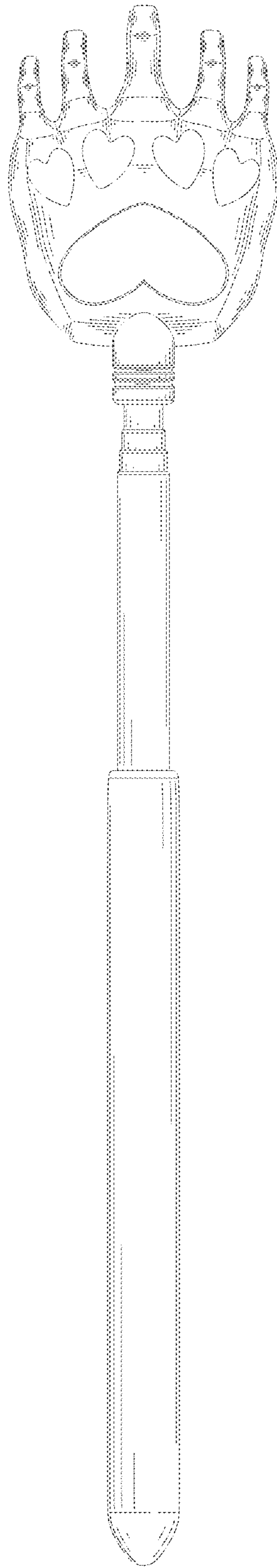


FIG. 4

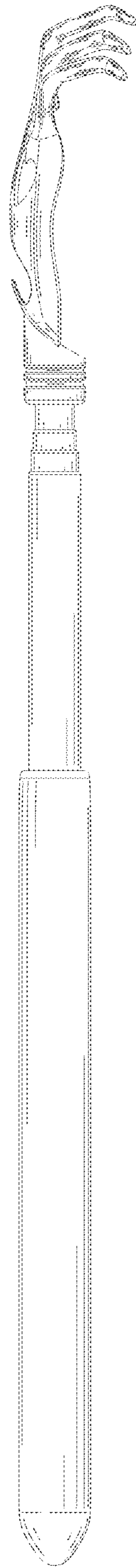


FIG. 5

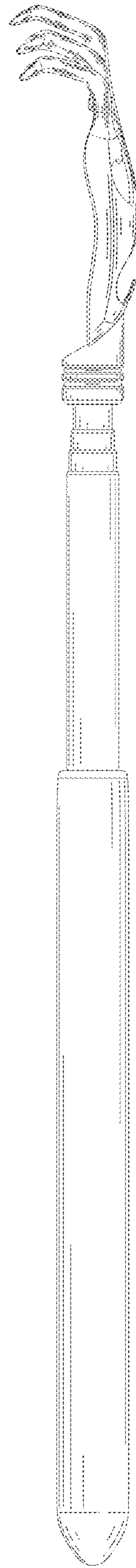


FIG. 6

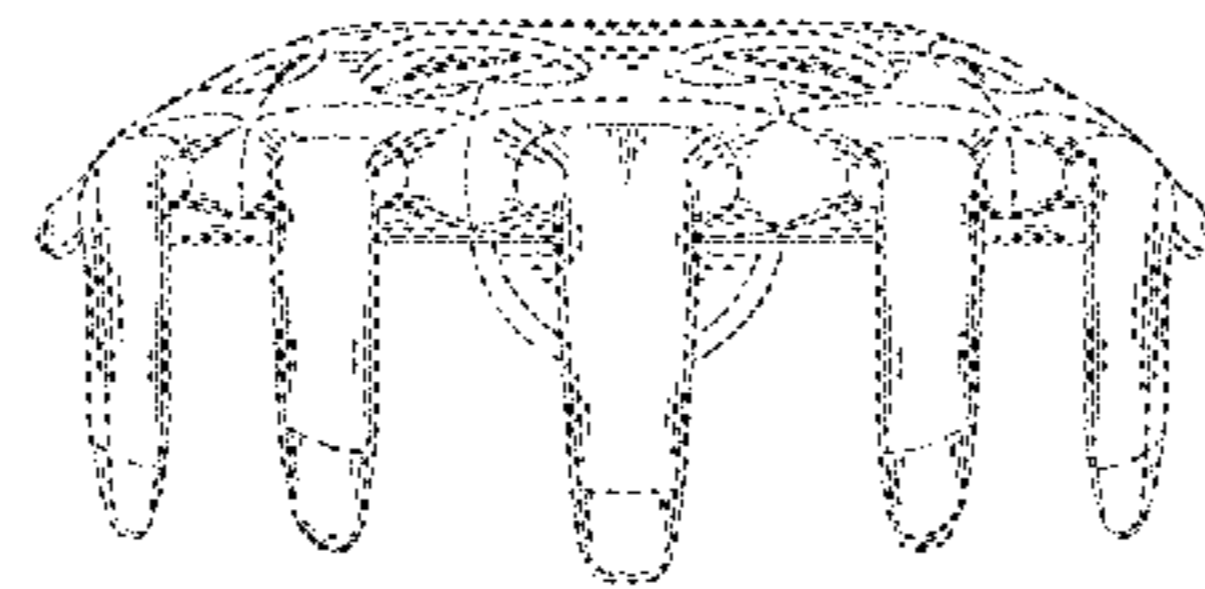


FIG. 7

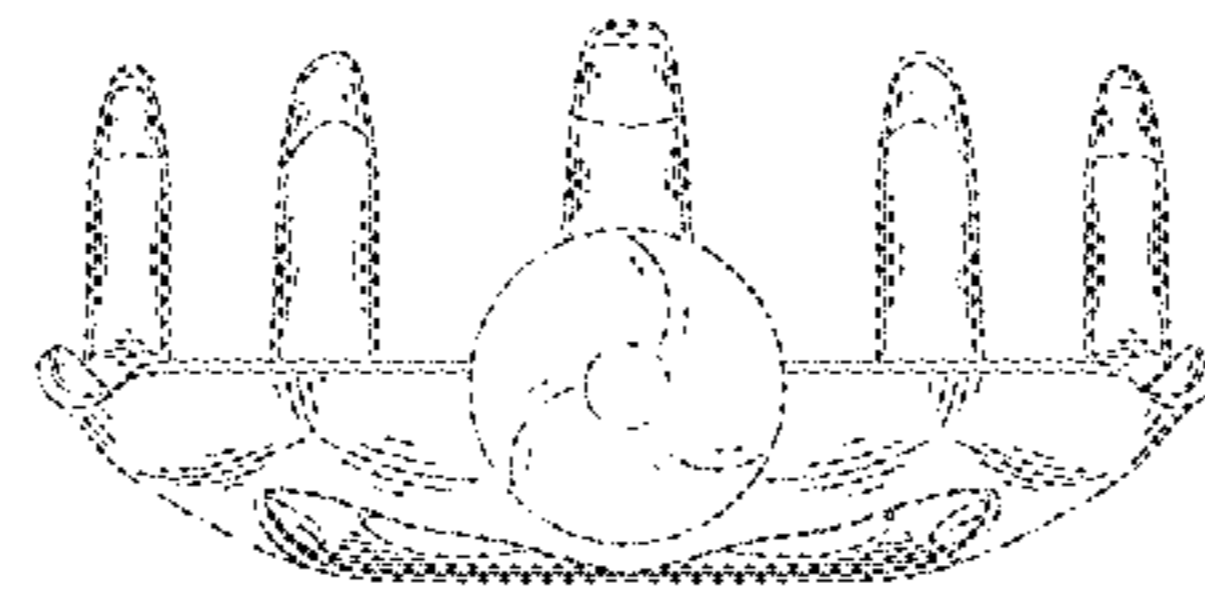


FIG. 8

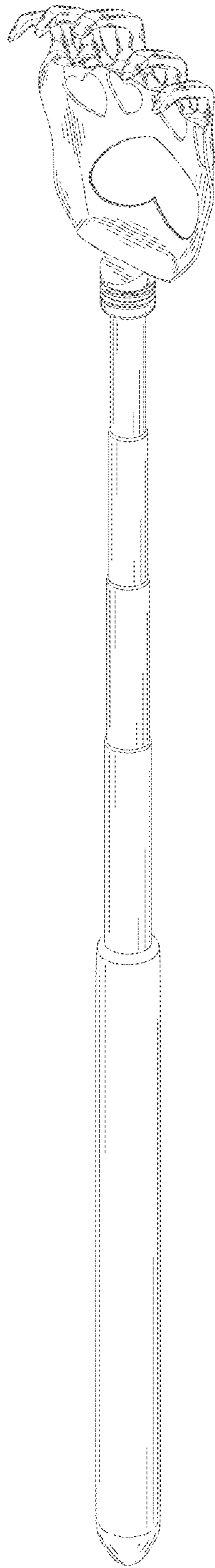


FIG. 9