



US00D985199S

(12) **United States Design Patent** (10) **Patent No.:** **US D985,199 S**
Yin (45) **Date of Patent:** **** May 2, 2023**

(54) **HAIR STRAIGHTENER**

(71) Applicant: **Hua Yin**, Guangdong (CN)

(72) Inventor: **Hua Yin**, Guangdong (CN)

(**) Term: **15 Years**

(21) Appl. No.: **29/764,412**

(22) Filed: **Dec. 30, 2020**

(30) **Foreign Application Priority Data**

Aug. 14, 2020 (CN) 202030464431.X

(51) **LOC (14) Cl.** **28-03**

(52) **U.S. Cl.**
USPC **D28/35**

(58) **Field of Classification Search**
USPC D28/10, 35
CPC . A45D 2/00; A45D 2/001; A45D 6/00; A45D
7/00; A45D 7/02; A45D 7/04; A45D
7/06; A45D 7/08; A45D 2001/004
See application file for complete search history.

(56) **References Cited**

U.S. PATENT DOCUMENTS

D511,023	S	*	10/2005	Cho	D28/35
D544,646	S	*	6/2007	Overend	D28/35
D575,453	S	*	8/2008	Overend	D28/35
D609,401	S	*	2/2010	Yang	D28/35
D641,927	S	*	7/2011	Kim	D28/35
D665,947	S	*	8/2012	Bachmann	D28/35
D724,267	S	*	3/2015	Thornley	D28/35
D850,002	S	*	5/2019	Bates	D28/35
D912,896	S	*	3/2021	Zhao	D28/35
D965,872	S	*	10/2022	Zhao	D28/35
2018/0213908	A1	*	8/2018	Lee	A45D 1/06

FOREIGN PATENT DOCUMENTS

CN 217337671 U * 9/2022

OTHER PUBLICATIONS

Panasonic EH-HSOE nanoe Hair Straightener, first available on Jun. 22, 2021 on amazon.co.uk, retrieved from: https://www.amazon.co.uk/Panasonic-Straightener-Flawless-Straightening-Champagne/dp/B095JD61CW/ref=sr_1_63?crd=1KZ62QWBR10OK&keywords=

cordless+hair+straightener&qid=1666187694&qu=eyJxc2MiOil2LjA0IiwicXNhljoiN.*
Remington PROluxe You Hair Straightener, first available on Aug. 19, 2022 on amazon.co.uk, retrieved from: https://www.amazon.co.uk/Remington-PROluxe-Adaptive-Hair-Straighteners/dp/B0B7125F2T/ref=sr_1_156?crd=1KZ62QWBR10OK&keywords=cordless+hair+straightener&qid=1666187853&qu=eyJxc2MiOil2LjA0IiwicXNhljoiNS41NSIsInF.*
NuMe Megastar Hair Straightener, reviewed as early as Dec. 13, 2014 on amazon.com, retrieved from: https://www.amazon.com/Megastar-Hair-Straightener-Rose-Gold/dp/B078WGFJV8/ref=sr_1_179_sspa?crd=2OVRR4Y3PVT8S&keywords=hair%2Bstraightener&qid=1674673731&sprefix=hair%2Bstr%2Caps%2C195&sr=8-179-spons&smid=A2OG3LXM3U97M.*
NuMe Style Setter Hair Straightener, first available Jun. 8, 2021 on amazon.com, retrieved from: https://www.amazon.com/NuMe-Style-Setter-Straightener-Titanium/dp/B096WL649B/ref=psdc_11057241_t2_B078WGFJV8?th=1.*
How to Curl Your Hair with a NuMe Megastar, published on Oct. 21, 2019 on youtube.com, retrieved from: https://www.youtube.com/watch?v=6ZrzmdhypA.*

* cited by examiner

Primary Examiner — Alison M Ofstun

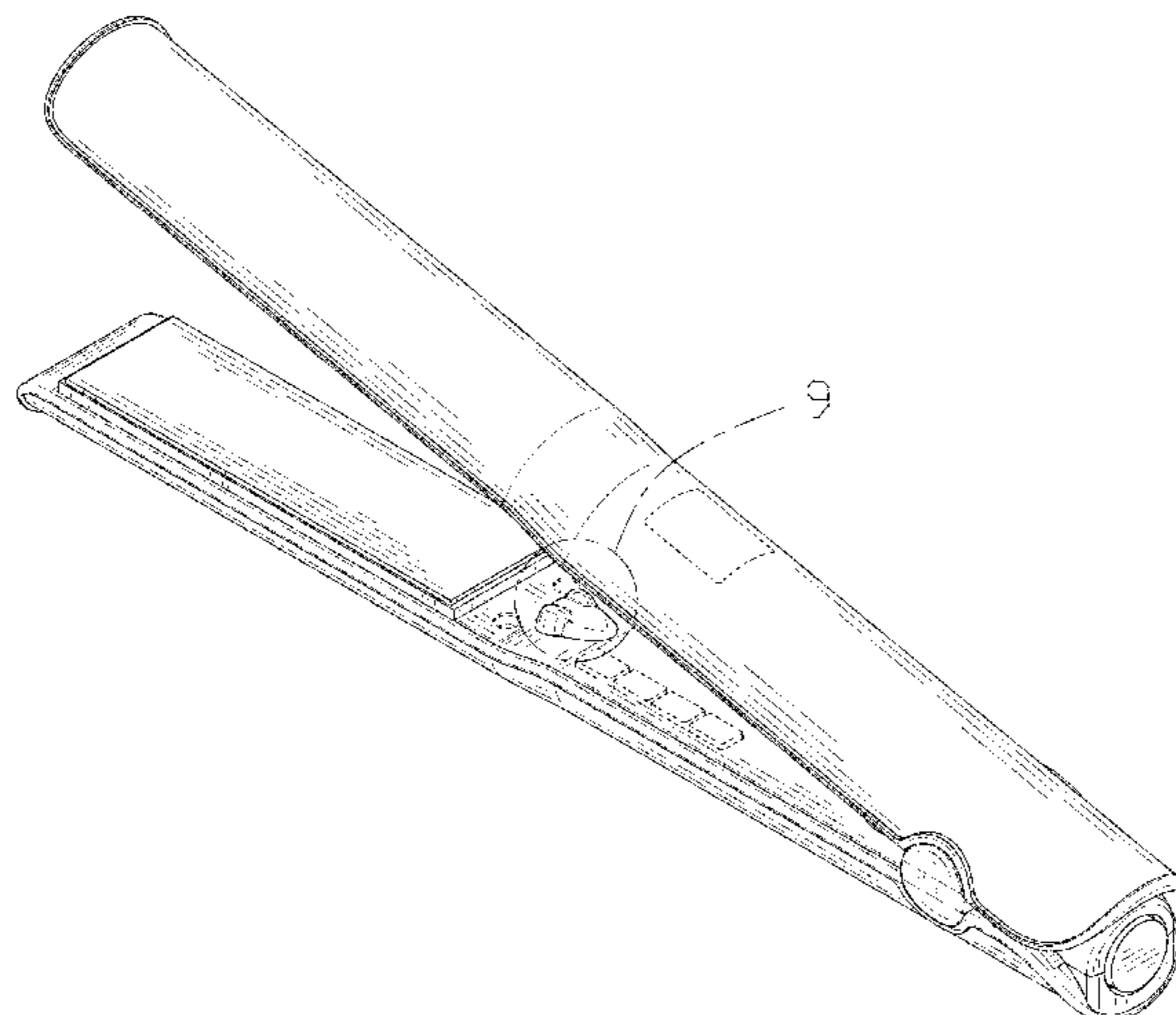
(57) **CLAIM**

The ornamental design for a hair straightener, as shown and described.

DESCRIPTION

FIG. 1 is a top, front and right side perspective view of a hair straightener showing my new design;
FIG. 2 is a bottom, front and left side perspective view thereof;
FIG. 3 is a front elevational view thereof;
FIG. 4 is a rear elevational view thereof;
FIG. 5 is a left side view thereof;
FIG. 6 is a right side view thereof;
FIG. 7 is a top plan view thereof;
FIG. 8 is a bottom plan view thereof; and,
FIG. 9 is an enlarged view of portion 9 shown in FIG. 1.

(Continued)



The broken lines in the drawings illustrate portions of the hair straightener which form no part of the claimed design.

1 Claim, 9 Drawing Sheets

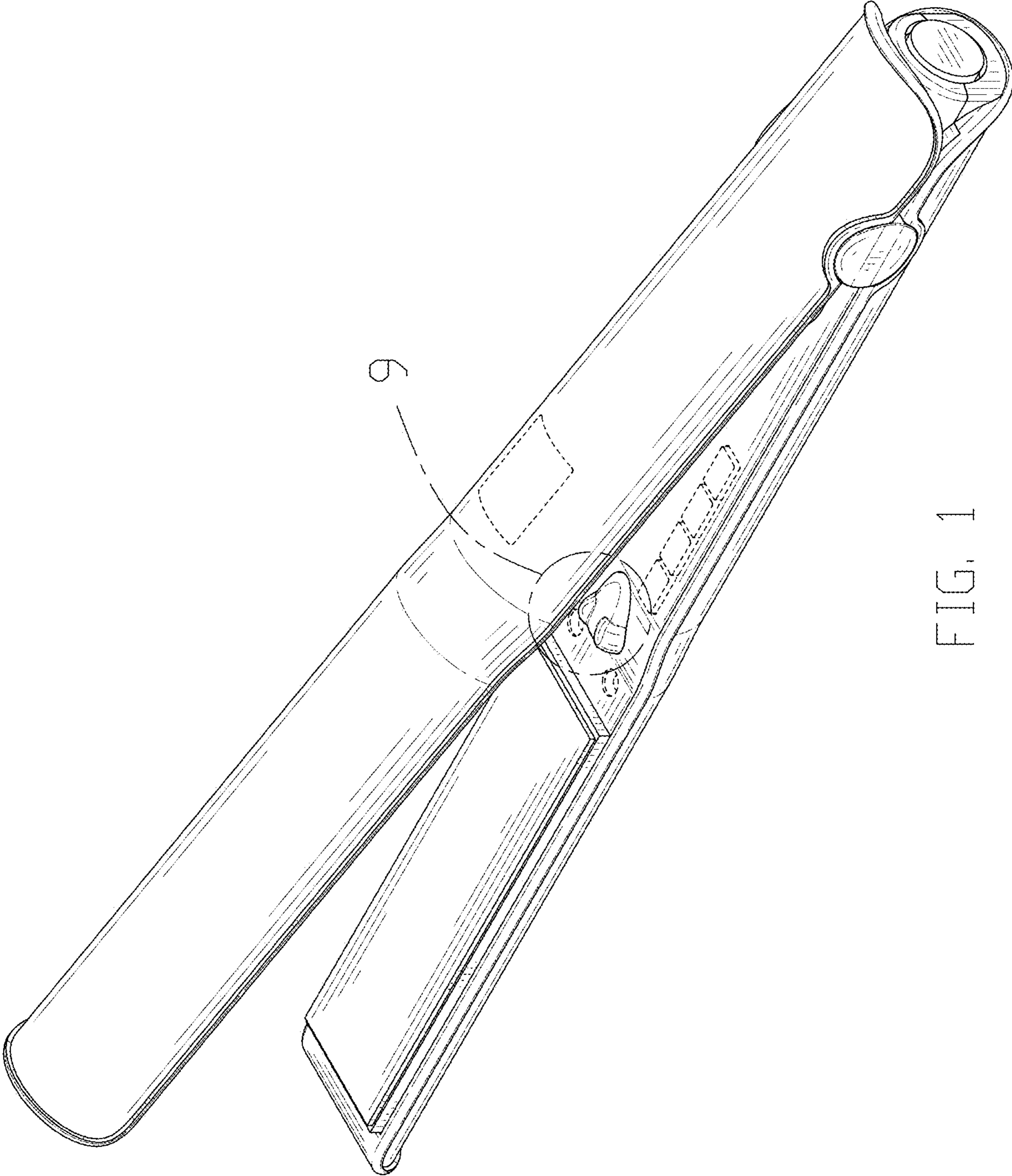


FIG. 1

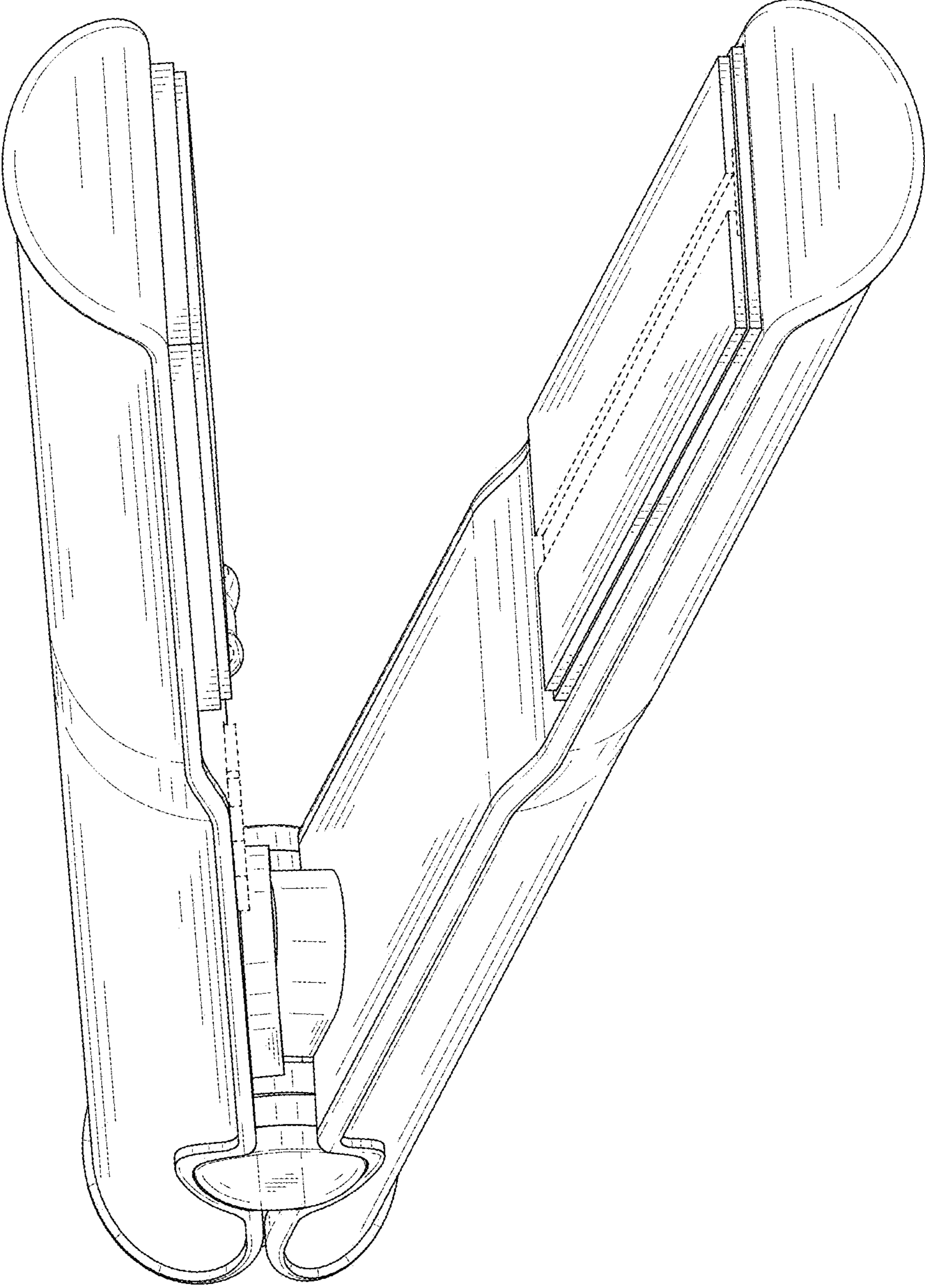


FIG. 2

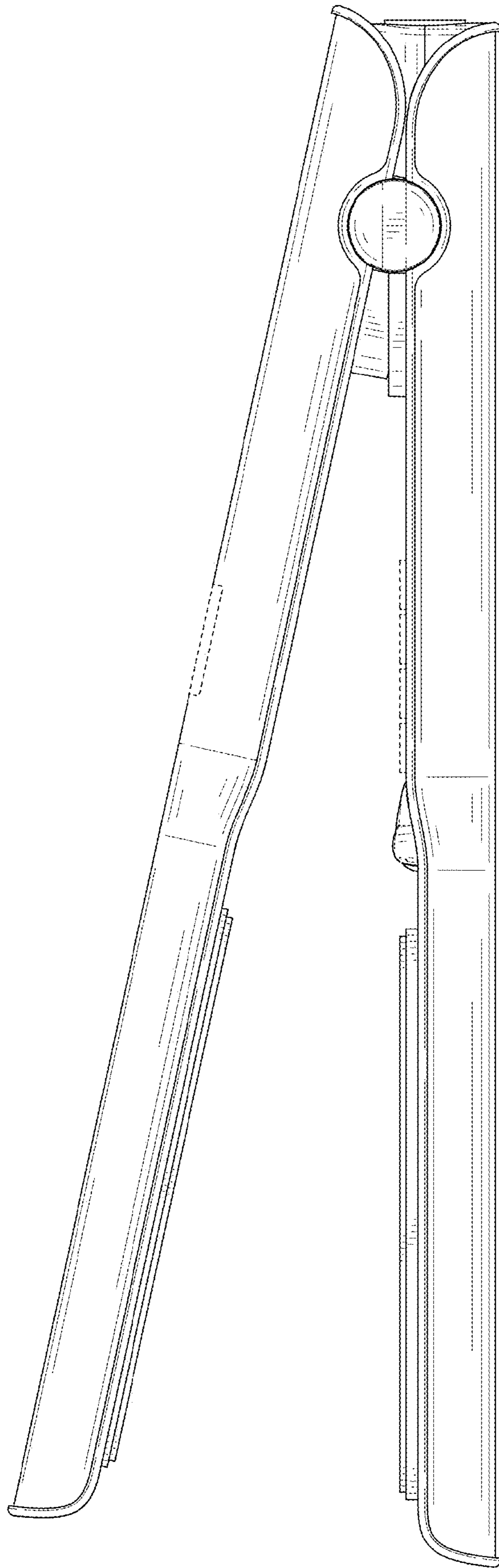


FIG. 3

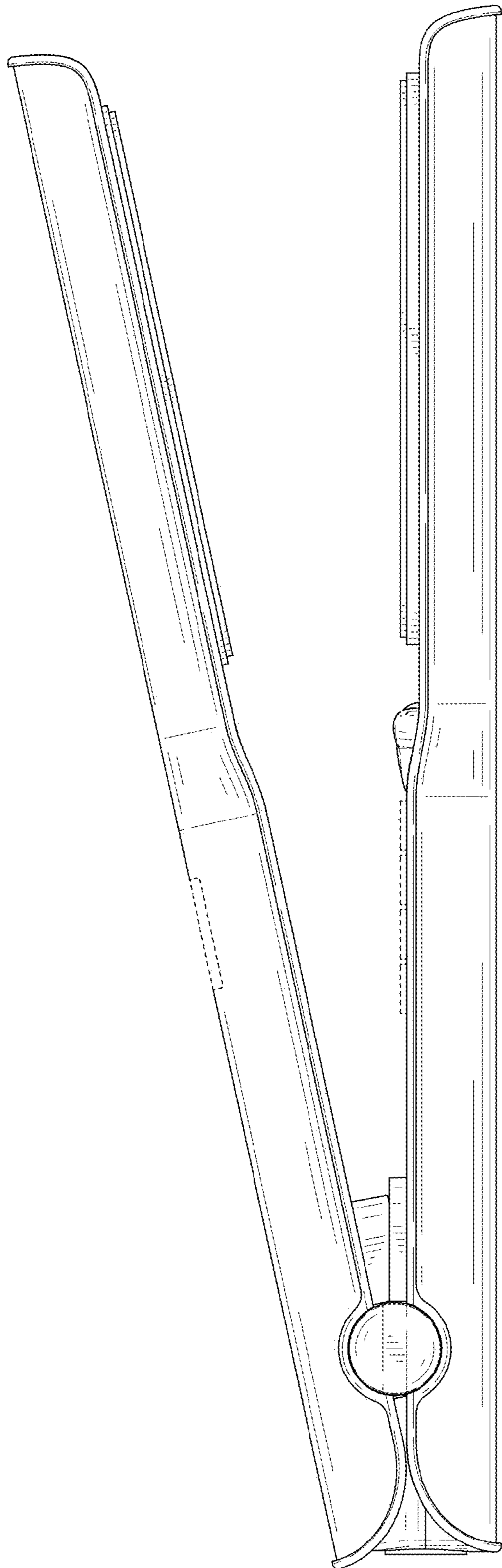


FIG. 4

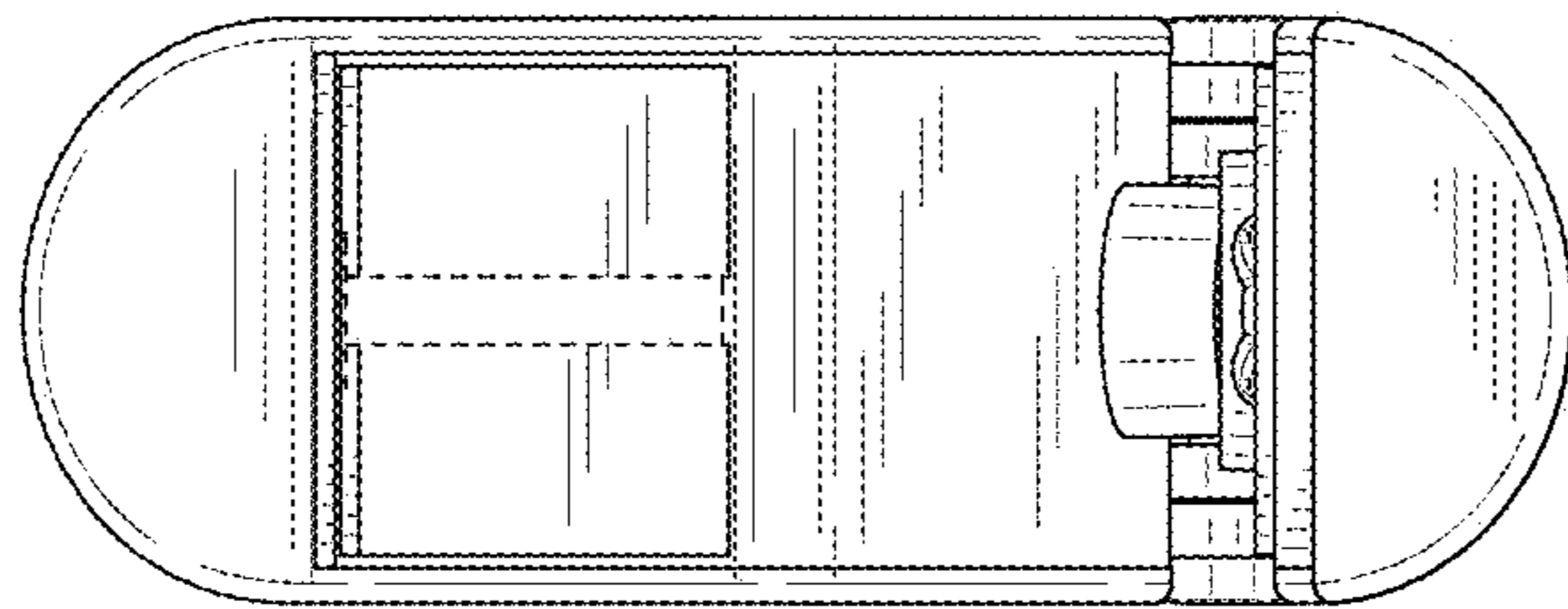


FIG. 5

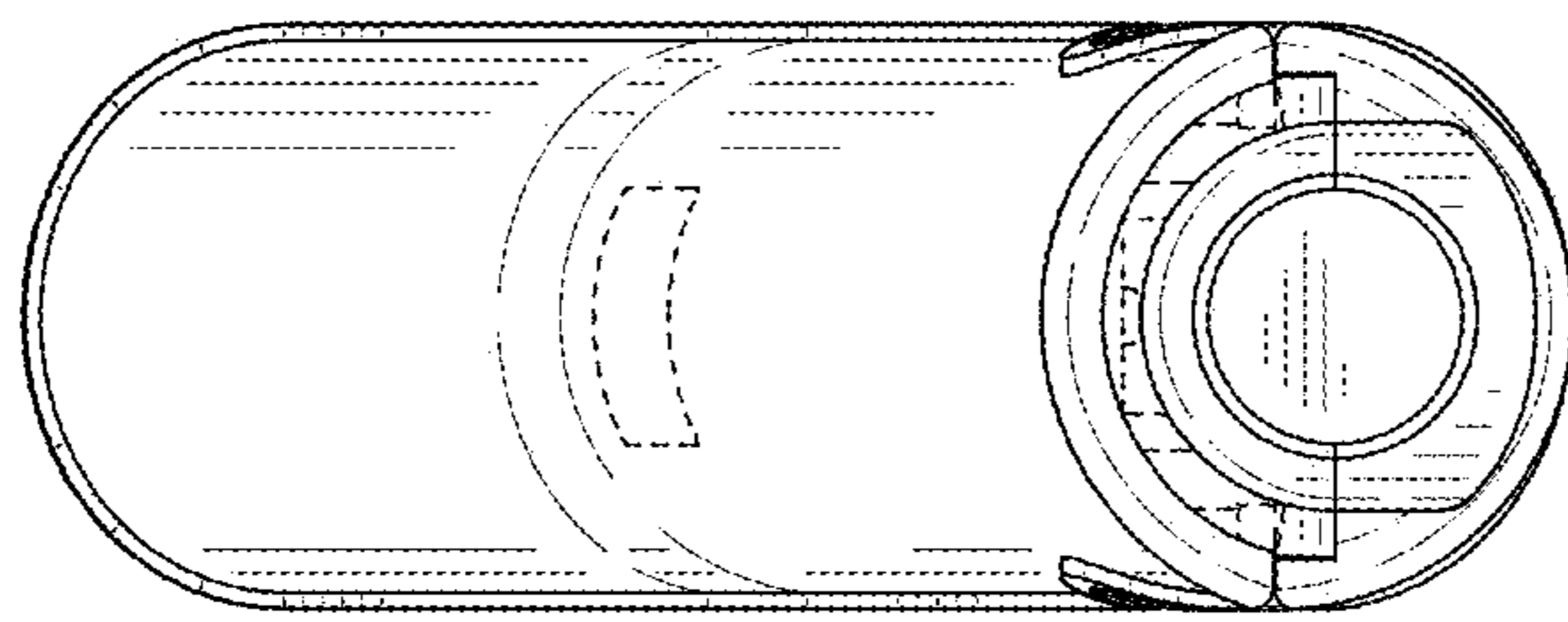


FIG. 6

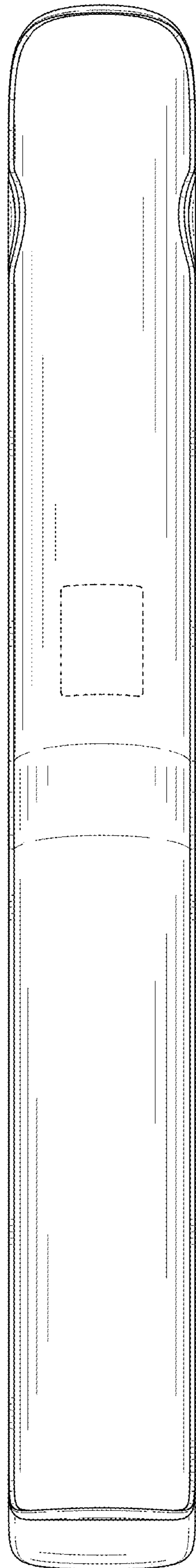


FIG. 7

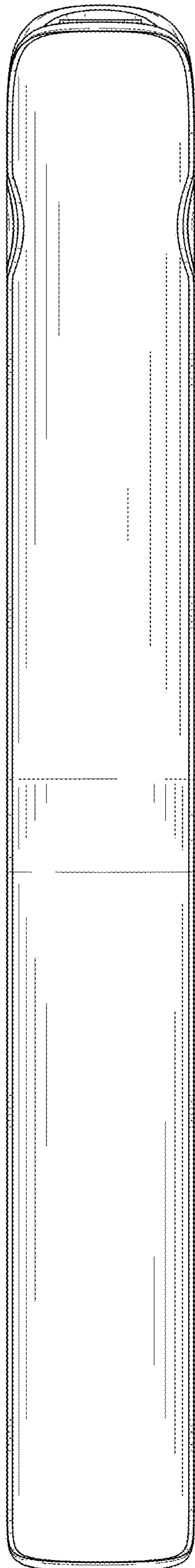


FIG. 8

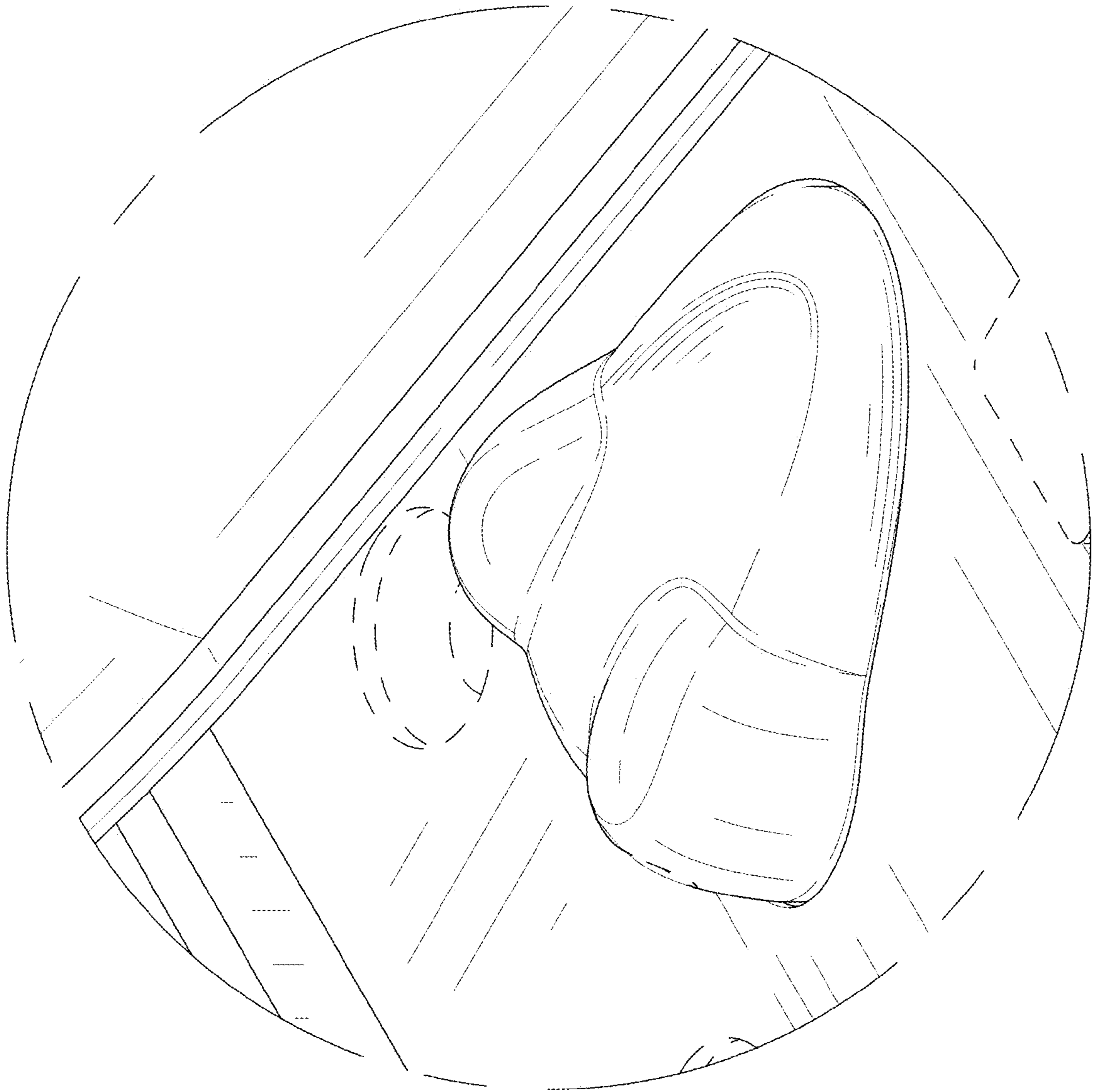


FIG. 9