



US00D985198S

(12) **United States Design Patent** (10) **Patent No.:** **US D985,198 S**  
**Huang et al.** (45) **Date of Patent:** **\*\* \*May 2, 2023**

(54) **HAIR STYLER**

(71) Applicant: **IBEAUTY BRANDS, INC**, Van Nuys, CA (US)

(72) Inventors: **Hali Huang**, Guangdong (CN); **Liam Ben-David**, Woodland Hills, CA (US)

(73) Assignee: **iBeauty Brands, Inc.**, Van Nuys, CA (US)

(\*) Notice: This patent is subject to a terminal disclaimer.

(\*\*) Term: **15 Years**

(21) Appl. No.: **29/760,204**

(22) Filed: **Nov. 30, 2020**

(51) **LOC (14) Cl.** ..... **28-03**

(52) **U.S. Cl.**  
USPC ..... **D28/35**

(58) **Field of Classification Search**  
USPC ..... D28/10, 13, 35  
CPC ... A45D 1/00; A45D 1/02; A45D 1/04; A45D 1/06; A45D 1/08; A45D 1/10; A45D 1/14; A45D 1/16; A45D 1/18; A45D 1/20; A45D 1/28; A45D 2001/004; A45D 2/00; A45D 2/001; A45D 2/002; A45D 2/02; A45D 2/12; A45D 2/36; A45D 4/00; A45D 4/02; A45D 4/04; A45D 4/06; A45D 4/08; A45D 6/00  
See application file for complete search history.

(56) **References Cited**

**U.S. PATENT DOCUMENTS**

D123,597 S \* 11/1940 Izquierdo ..... D28/35  
D276,086 S \* 10/1984 Ernest ..... D28/35  
D323,040 S \* 1/1992 Smal ..... D28/35

D729,450 S \* 5/2015 Van Maanen ..... D28/35  
D804,725 S \* 12/2017 Yue ..... D28/35  
D870,967 S \* 12/2019 Huang ..... D28/35  
D876,014 S \* 2/2020 Lin ..... D28/35  
D884,272 S \* 5/2020 Liao ..... D28/35  
D901,077 S \* 11/2020 Kim ..... D28/35  
D919,177 S \* 5/2021 Huang ..... D28/35  
D932,100 S \* 9/2021 de Belizal ..... D28/35  
D946,209 S \* 3/2022 Xiao ..... D28/35  
D952,942 S \* 5/2022 de Belizal ..... D28/35  
2011/0108052 A1\* 5/2011 Morgandi ..... A45D 1/06  
132/230  
2022/0053903 A1\* 2/2022 Chen ..... A45D 1/04

**OTHER PUBLICATIONS**

Sutra Beauty Styling Wand, Sutra Beauty, published on Nov. 20, 2018 on youtube.com, retrieved from: <https://www.youtube.com/watch?v=xesdDrm2mfE>.\*

\* cited by examiner

*Primary Examiner* — Alison M Ofstun

(74) *Attorney, Agent, or Firm* — Knobbe Martens Olson & Bear LLP

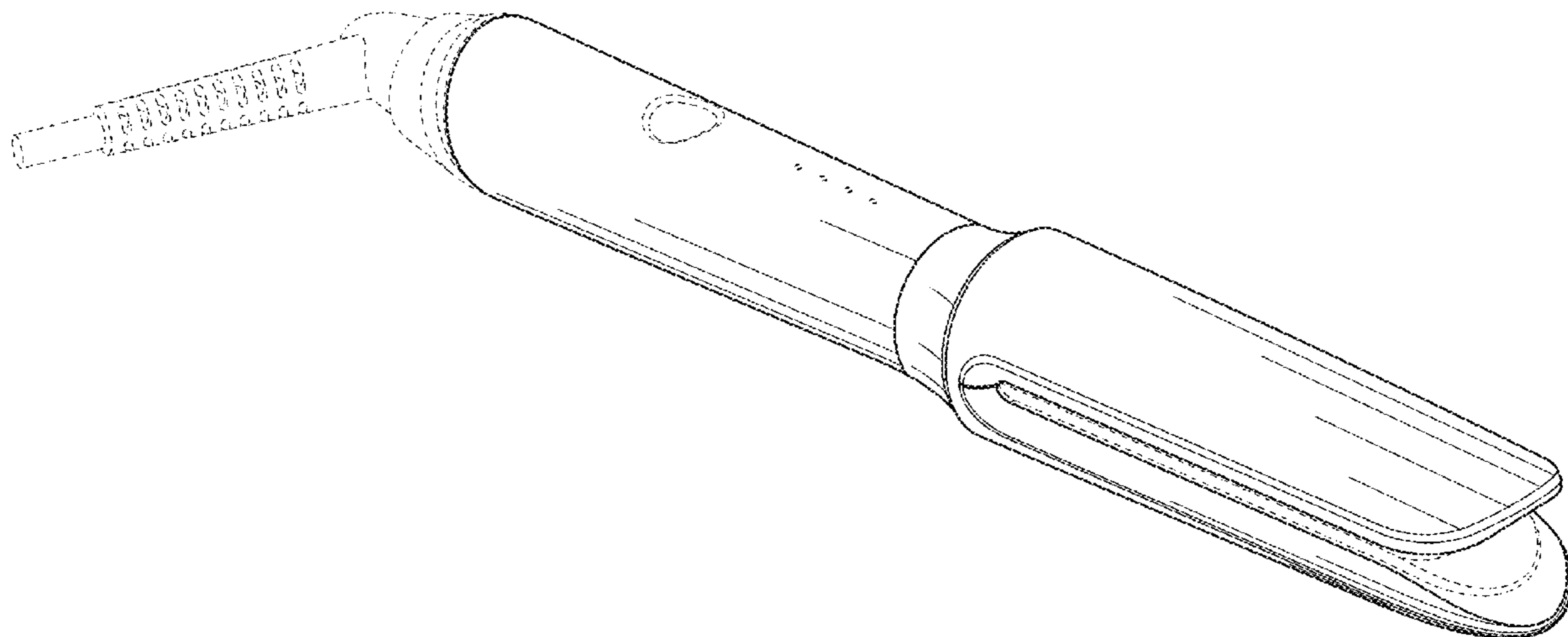
(57) **CLAIM**

The ornamental design for a hair styler, as shown and described.

**DESCRIPTION**

FIG. 1 is a front perspective view of a hair styler in accordance with the present disclosure;  
FIG. 2 is a front view thereof;  
FIG. 3 is a rear view thereof;  
FIG. 4 is a side view thereof; and,  
FIG. 5 is a top view thereof.  
The broken lines in the Figures show portions of the hair styler that form no part of the claimed design.

**1 Claim, 5 Drawing Sheets**



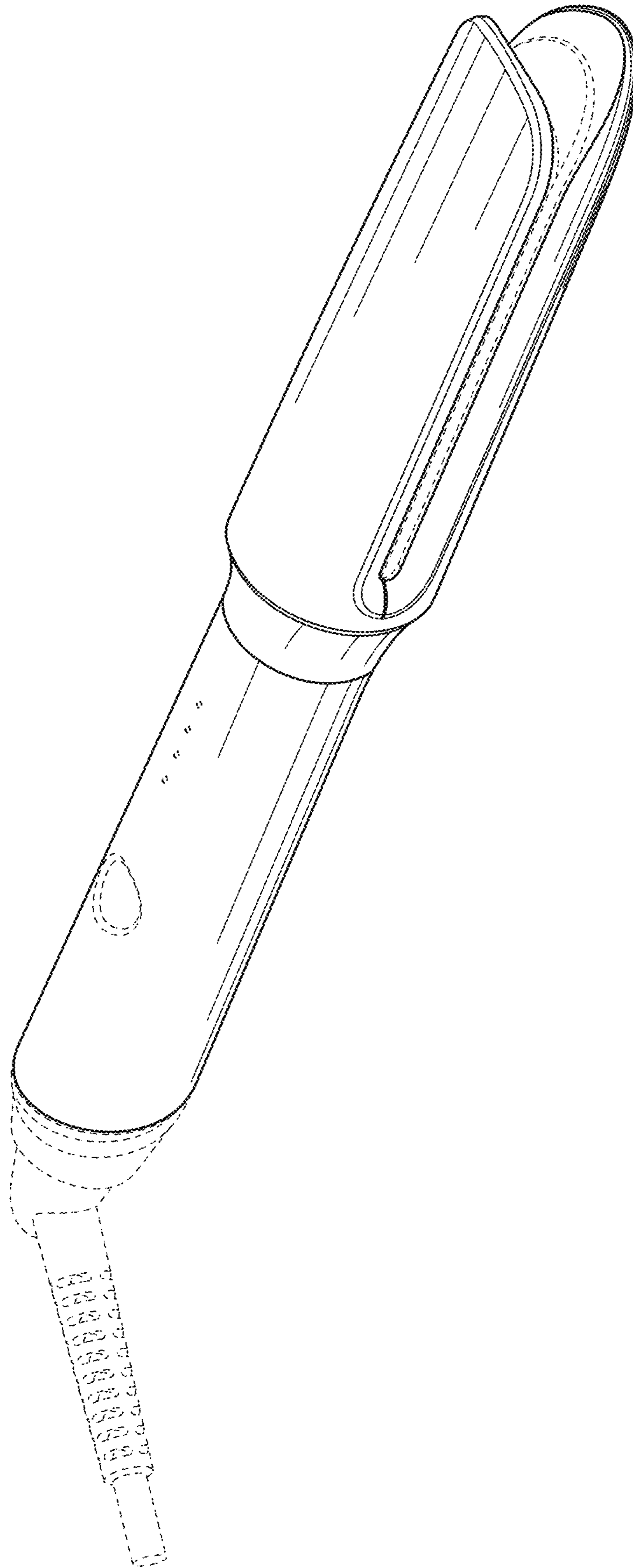


FIG. 1

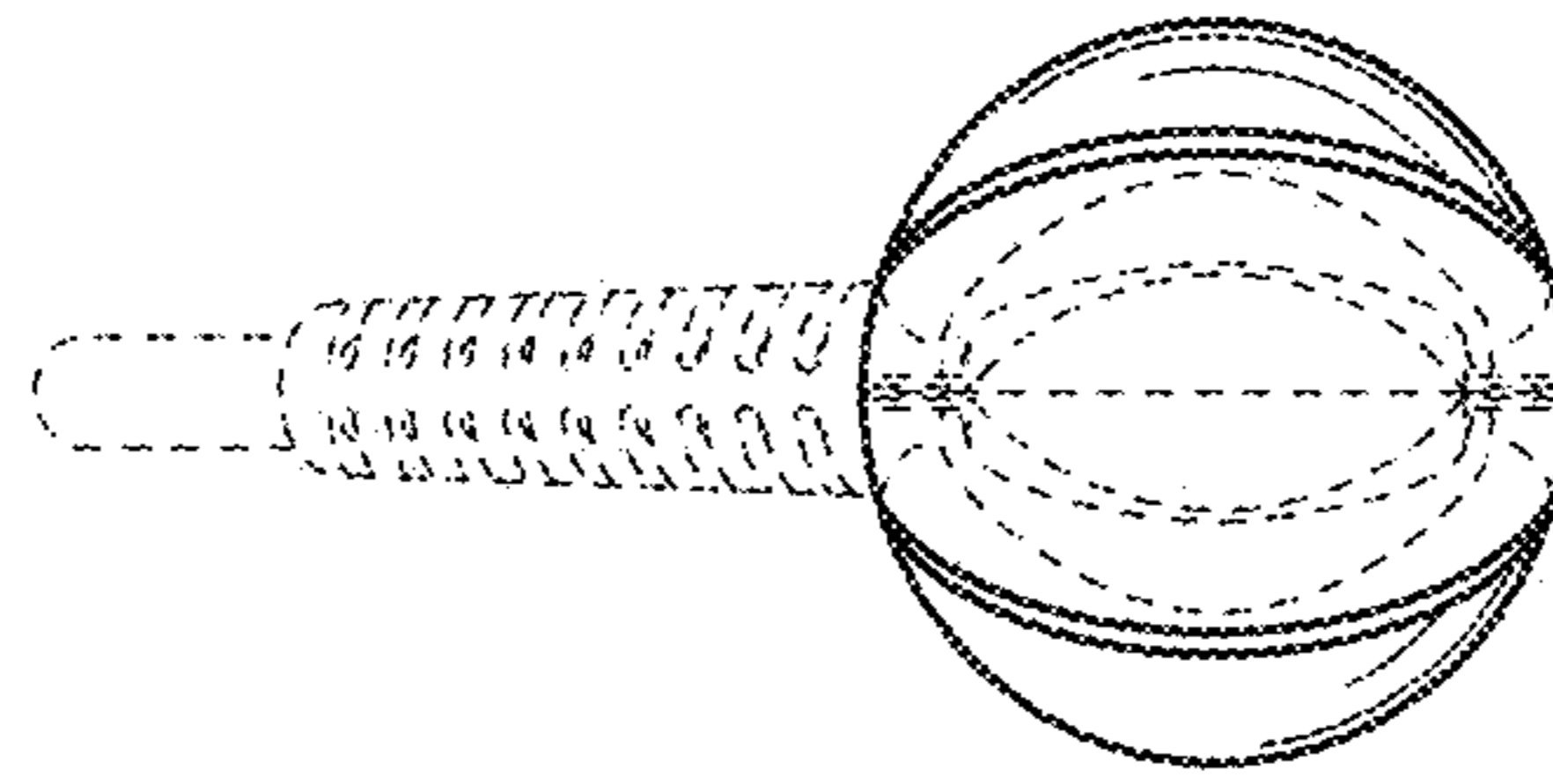


FIG. 2

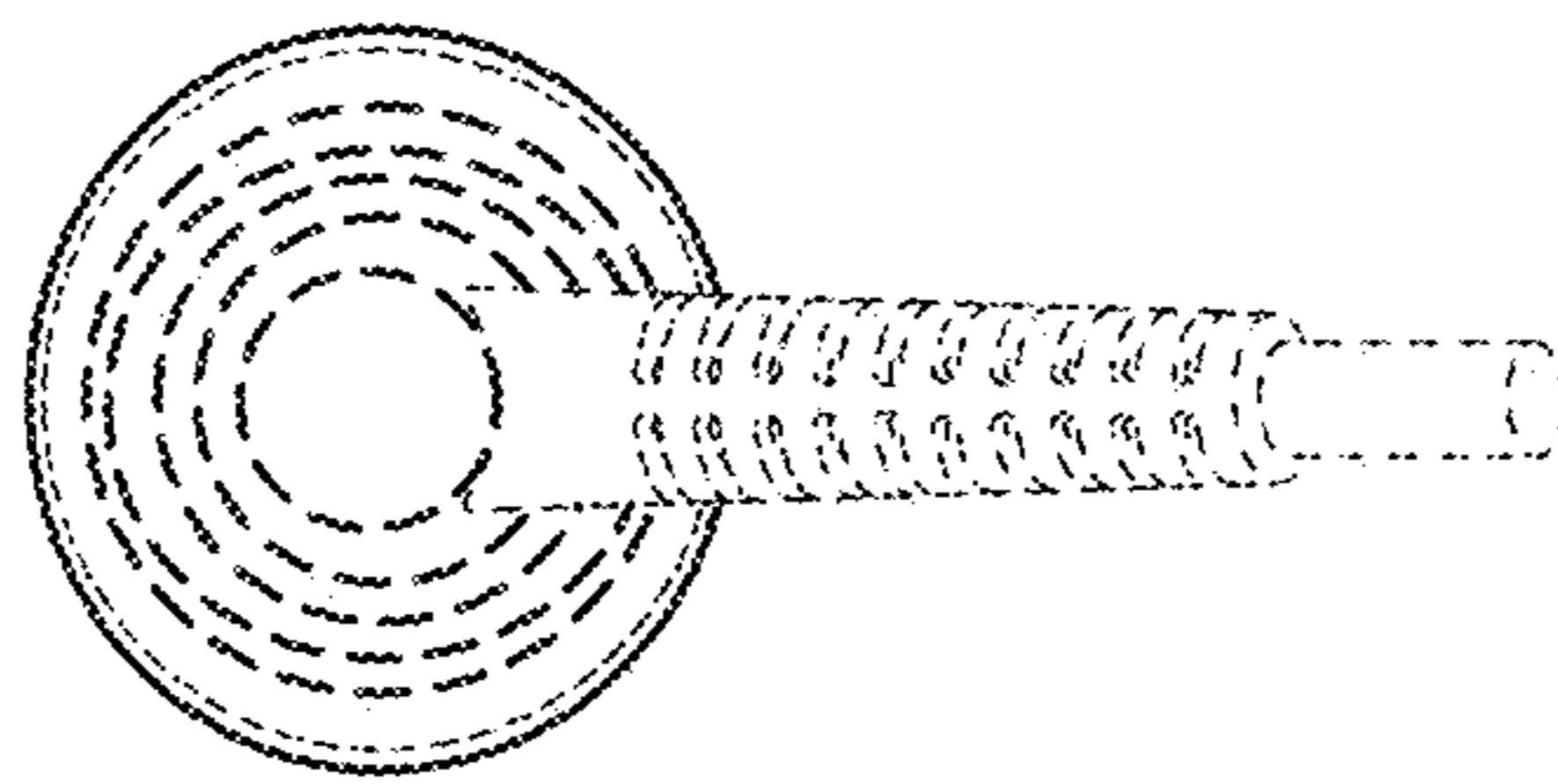


FIG. 3

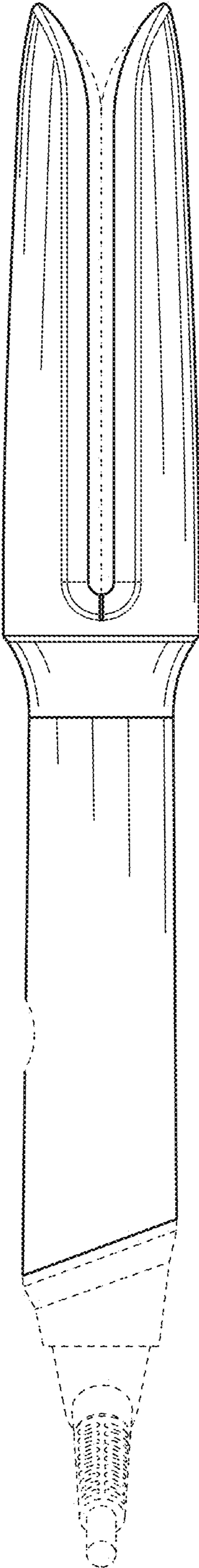


FIG. 4

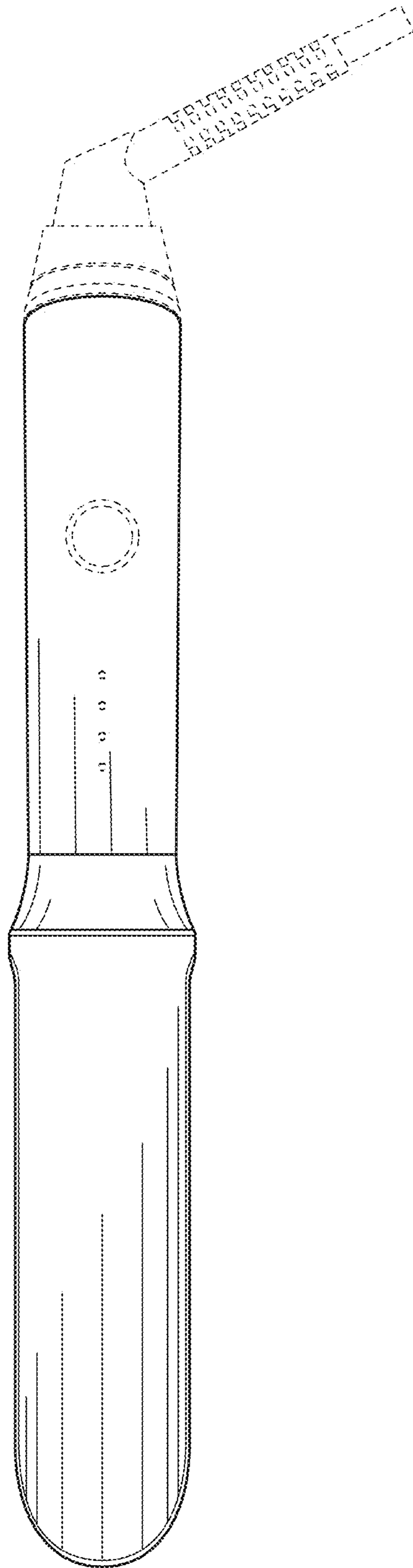


FIG. 5