



US00D985196S

(12) **United States Design Patent**
Li

(10) **Patent No.:** **US D985,196 S**

(45) **Date of Patent:** **** May 2, 2023**

- (54) **HAIR DRYER**
- (71) Applicant: **QINGDAO LEITE ELECTRIC CO., LTD.**, Qingdao (CN)
- (72) Inventor: **Senhao Li**, Wenzhou (CN)
- (73) Assignee: **QINGDAO LEITE ELECTRIC CO., LTD.**, Qingdao (CN)

D933,292 S *	10/2021	Yang	D28/13
D952,248 S *	5/2022	Lei	D28/13
D952,940 S *	5/2022	Mo	D28/13
D953,633 S *	5/2022	Jin	D28/13
D953,635 S *	5/2022	Jin	D28/13
D953,636 S *	5/2022	Jin	D28/13
D955,041 S *	6/2022	Jin	D28/13

* cited by examiner

Primary Examiner — Zenia I Bennett

- (**) Term: **15 Years**
- (21) Appl. No.: **29/786,845**
- (22) Filed: **Jun. 3, 2021**

(57) **CLAIM**
The ornamental design for a hair dryer, as shown and described.

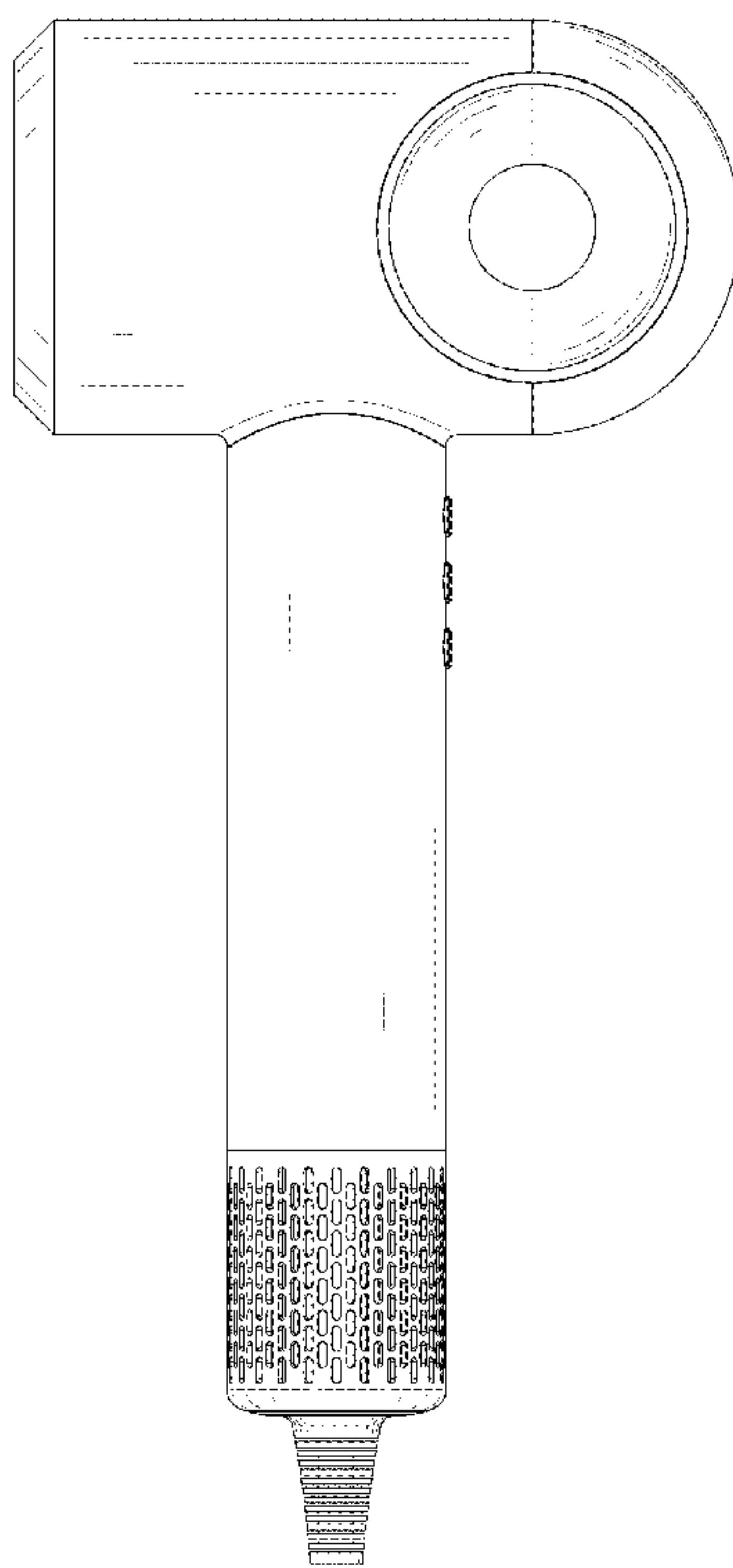
- (30) **Foreign Application Priority Data**
May 12, 2021 (CN) 202130281743.1
- (51) **LOC (14) Cl.** **28-03**
- (52) **U.S. Cl.**
USPC **D28/13**
- (58) **Field of Classification Search**
USPC D28/12-19; D8/29.1
CPC A45D 20/00; A45D 20/04; A45D 20/08;
A45D 20/10; A45D 20/12; A45D
2020/128
See application file for complete search history.

DESCRIPTION

FIG. 1 is a perspective view of a hair dryer showing my new design;
 FIG. 2 is another perspective view thereof;
 FIG. 3 is a front elevational view thereof;
 FIG. 4 is a rear elevational view thereof;
 FIG. 5 is a left side elevational view thereof;
 FIG. 6 is a right side elevational view thereof;
 FIG. 7 is a top plan view thereof;
 FIG. 8 is a bottom plan view thereof;
 FIG. 9 is a perspective view of a hair dryer shown in a first configuration of use;
 FIG. 10 is a perspective view of the hair dryer shown in a second configuration of use;
 FIG. 11 is a perspective view of the hair dryer shown in a third configuration of use; and
 FIG. 12 is an enlarged view of portion 12 shown in FIG. 8.
 The broken lines in the drawings depict portions of the hair dryer that form no part of the claimed design.

- (56) **References Cited**
U.S. PATENT DOCUMENTS
D893,097 S * 8/2020 Huang D28/13
D899,685 S * 10/2020 Lin D28/13
D919,175 S * 5/2021 Yu D28/13

1 Claim, 12 Drawing Sheets



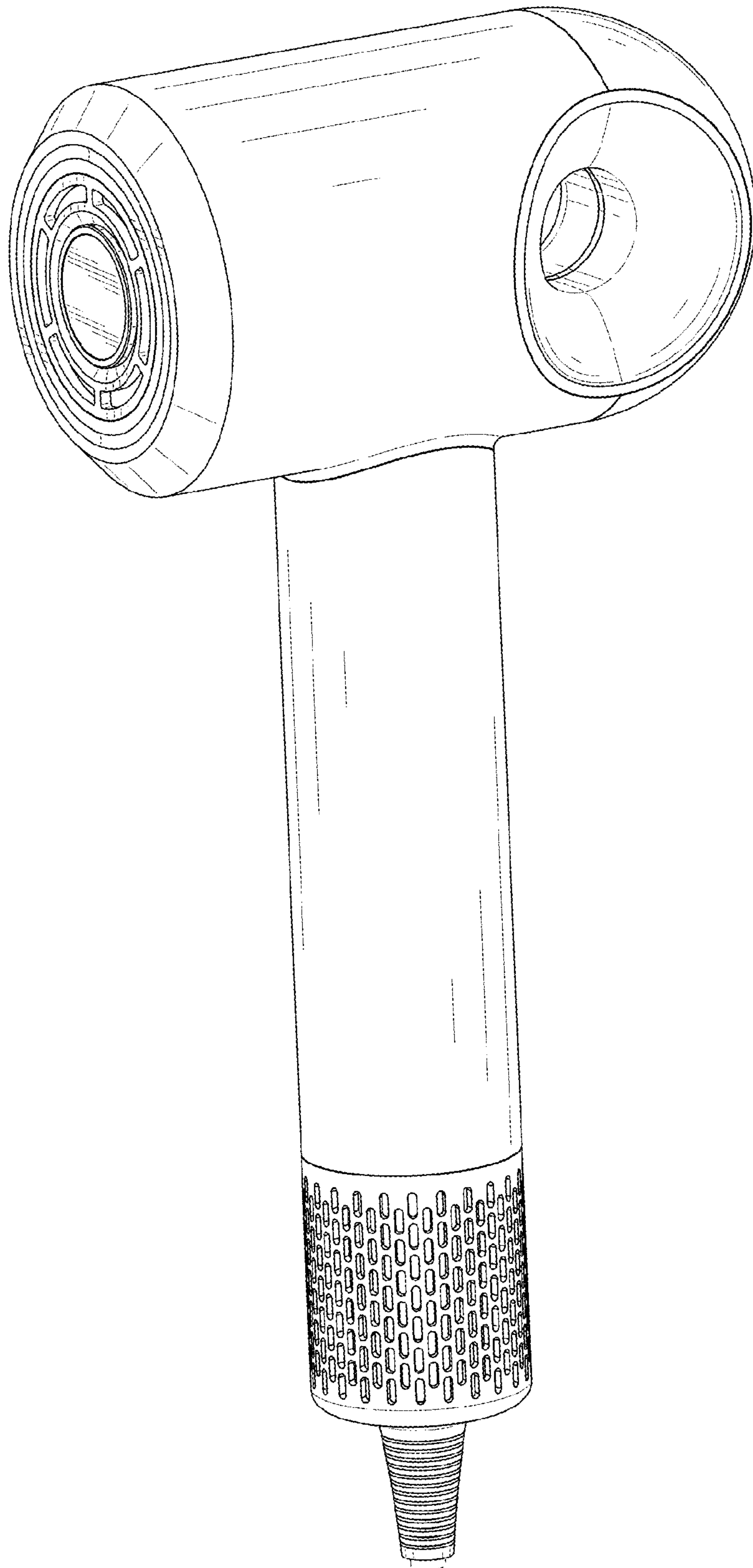


FIG. 1

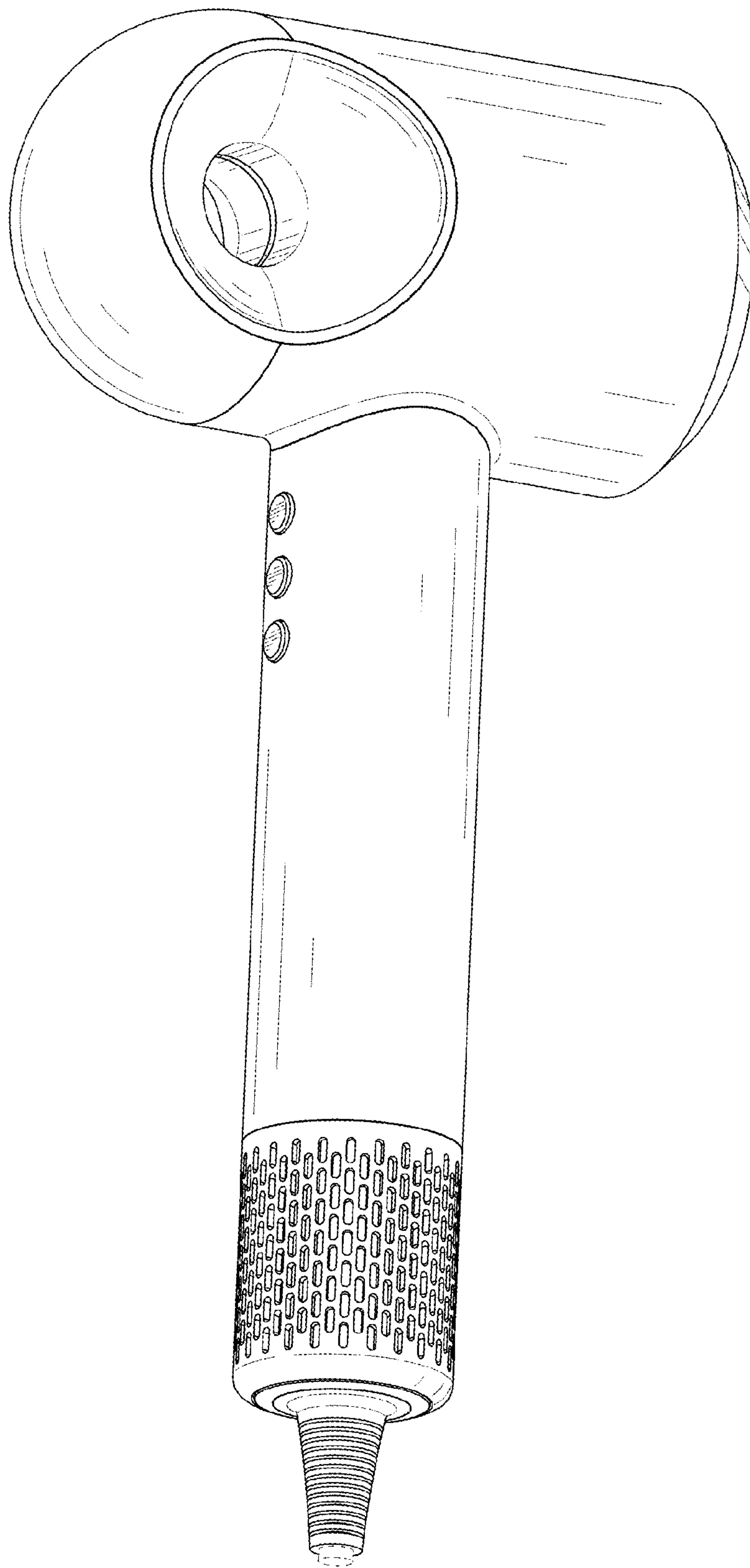


FIG. 2

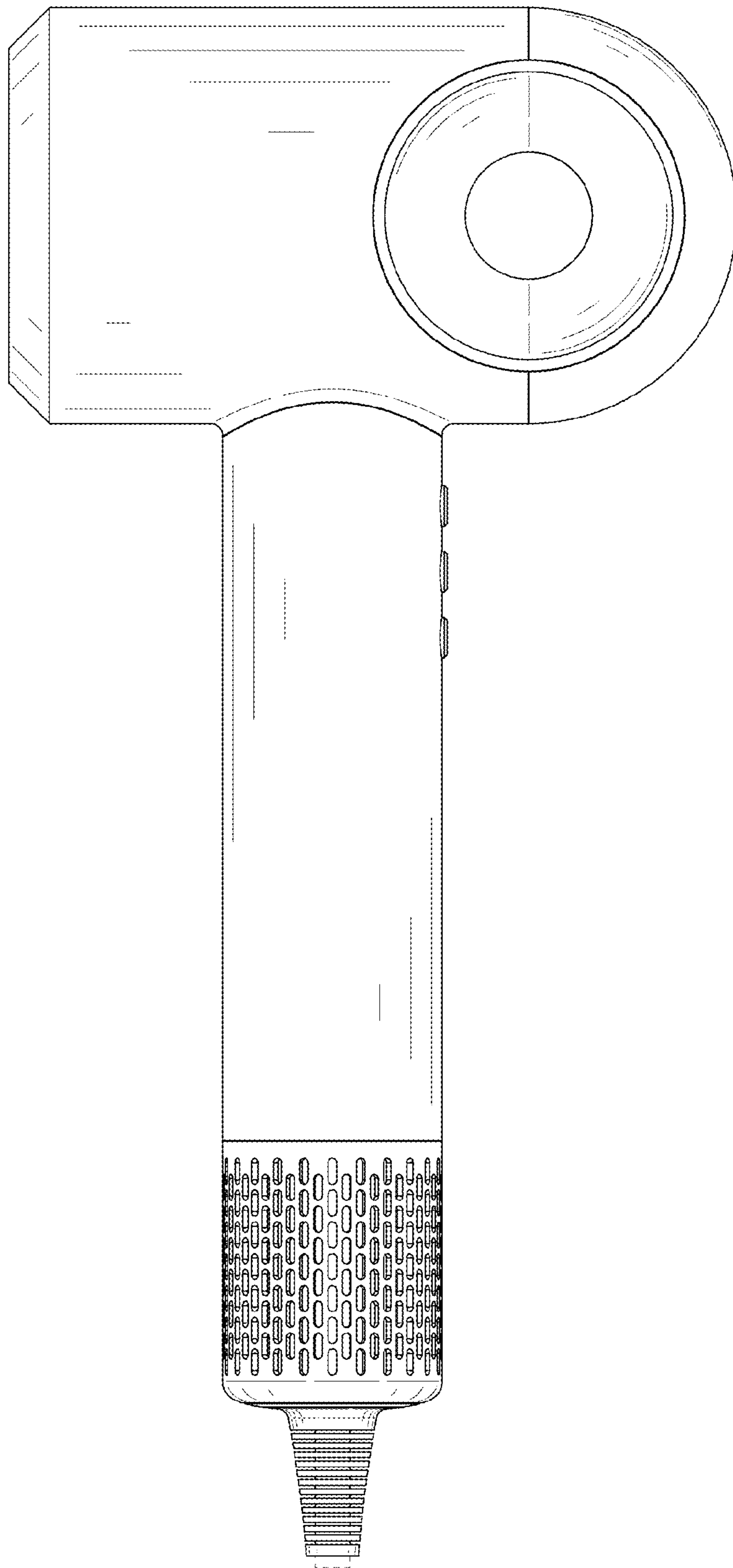


FIG. 3

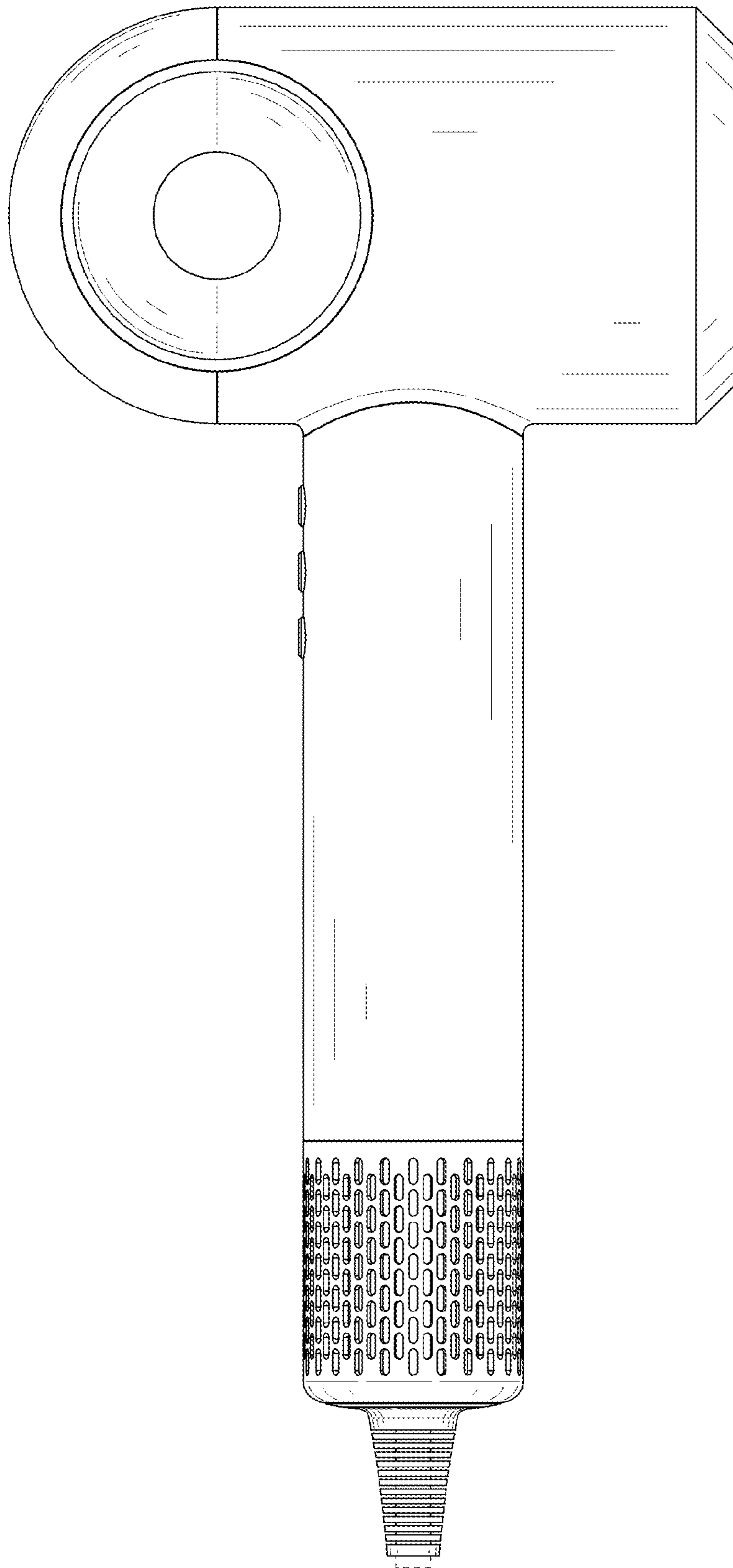


FIG. 4

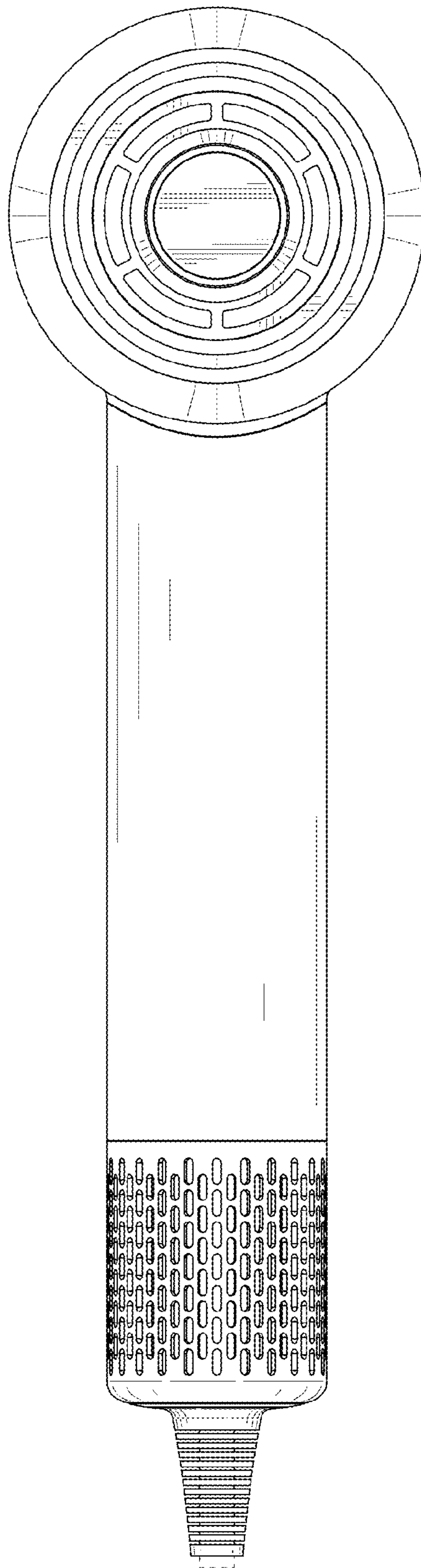


FIG. 5

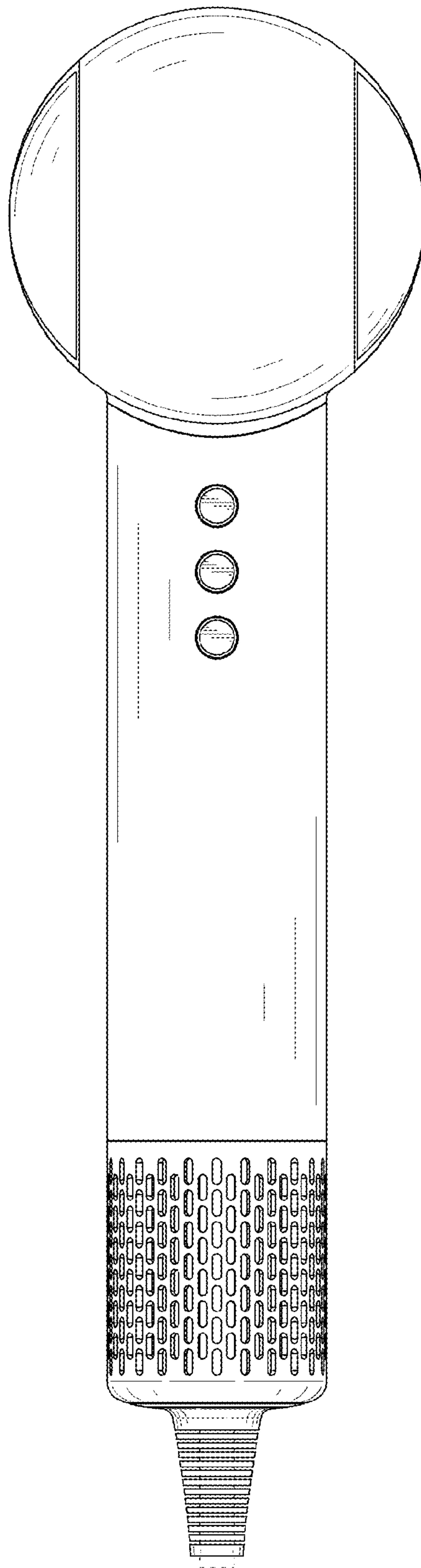


FIG. 6

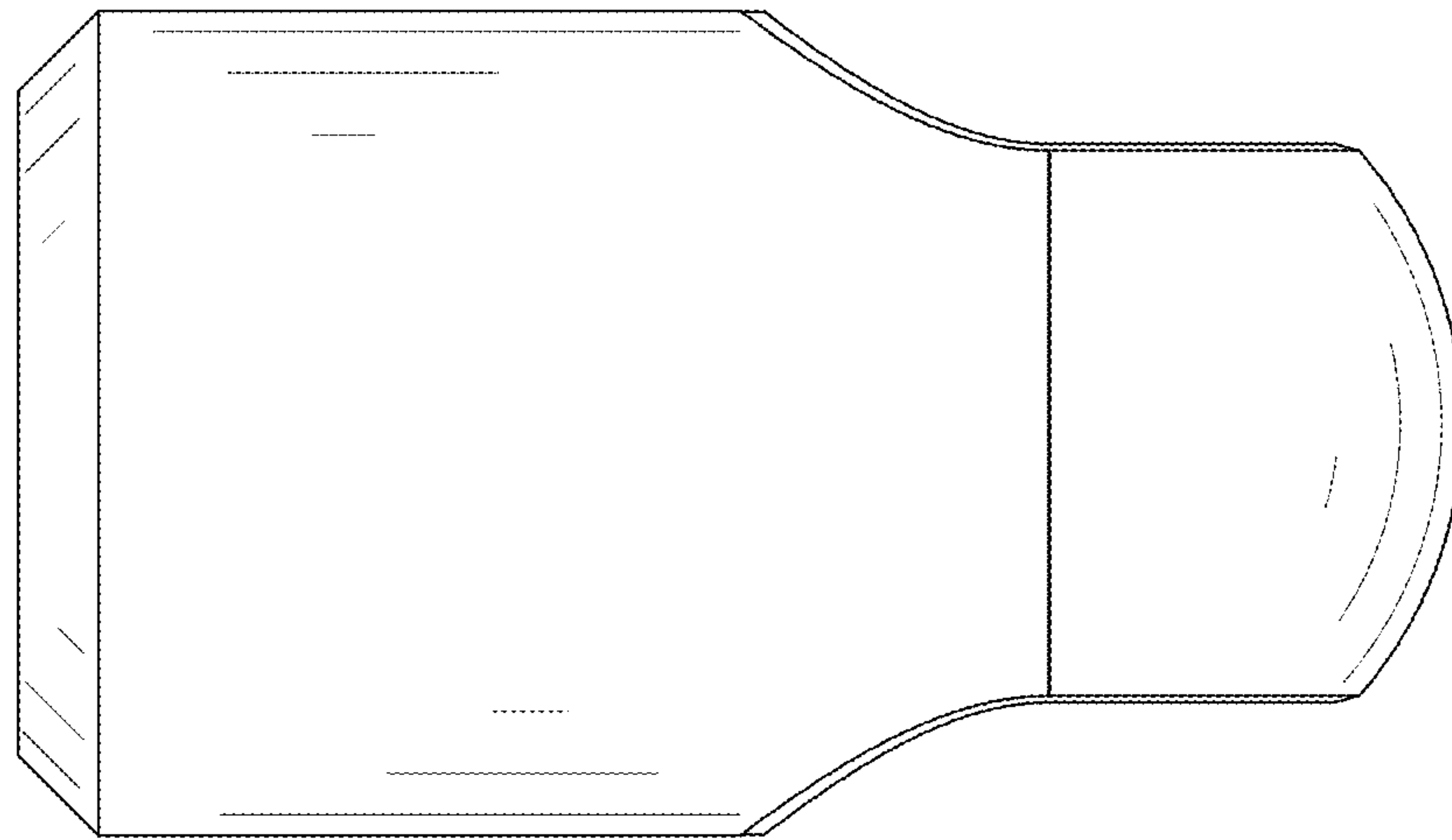


FIG. 7

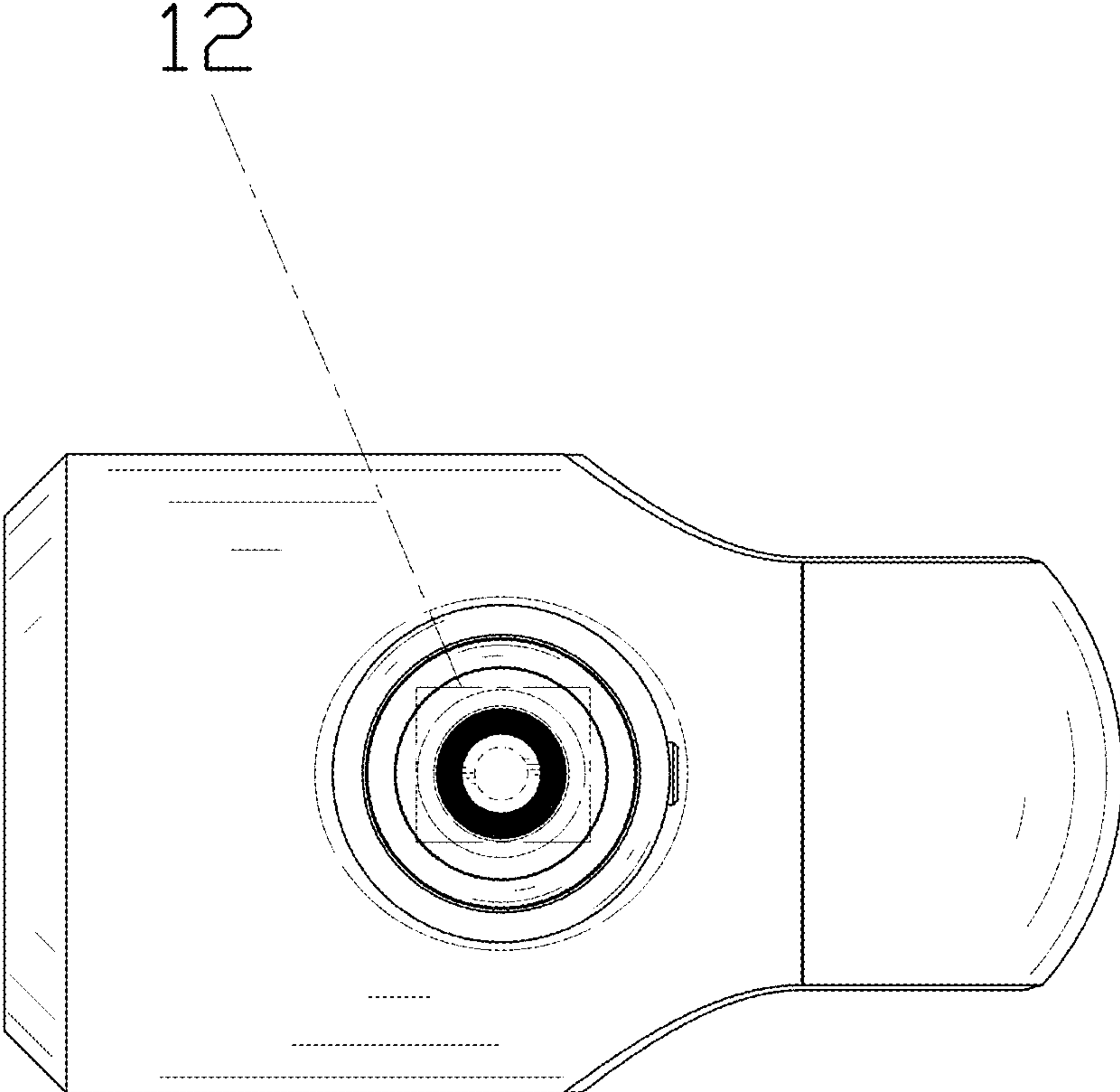


FIG. 8

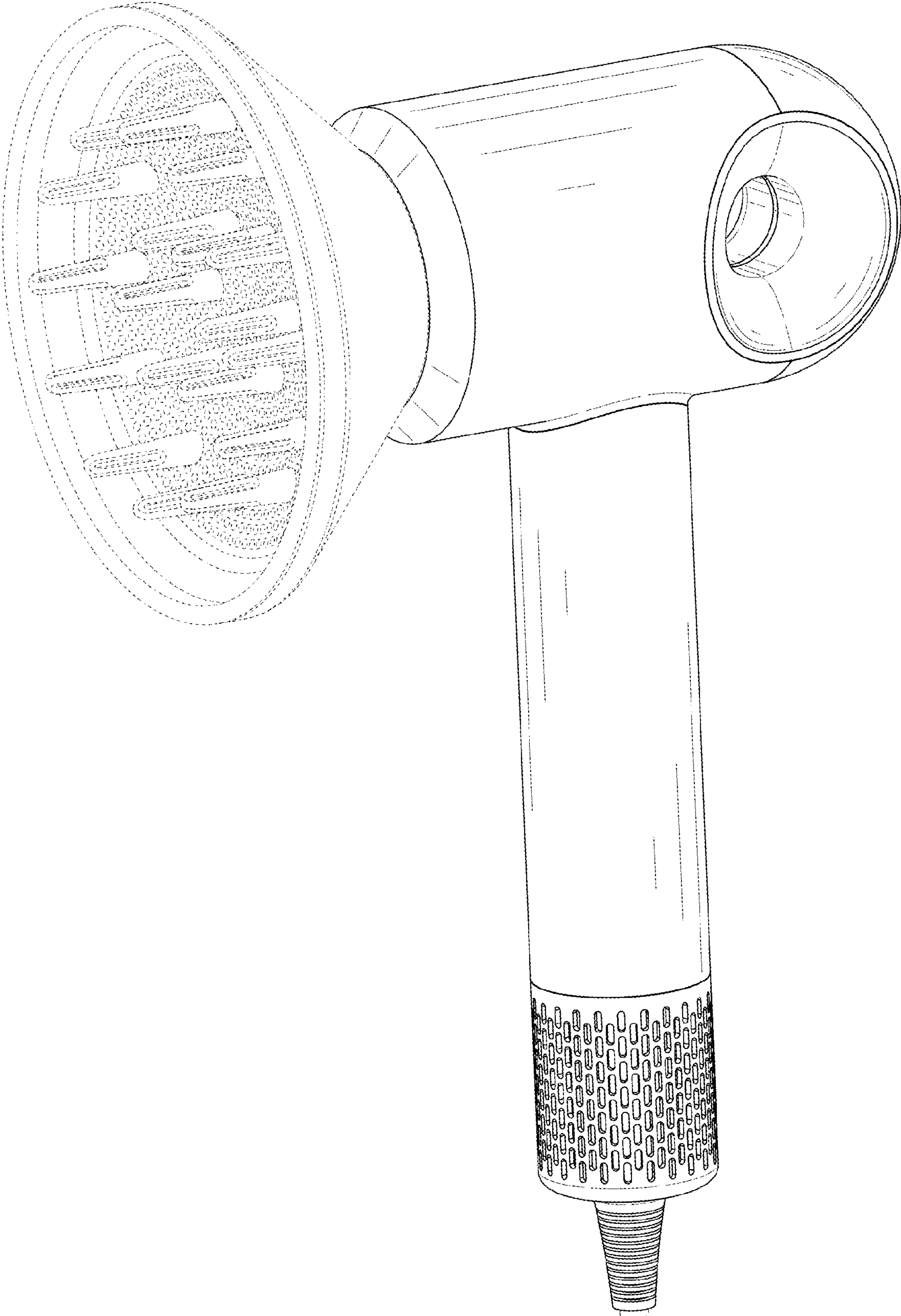


FIG. 9

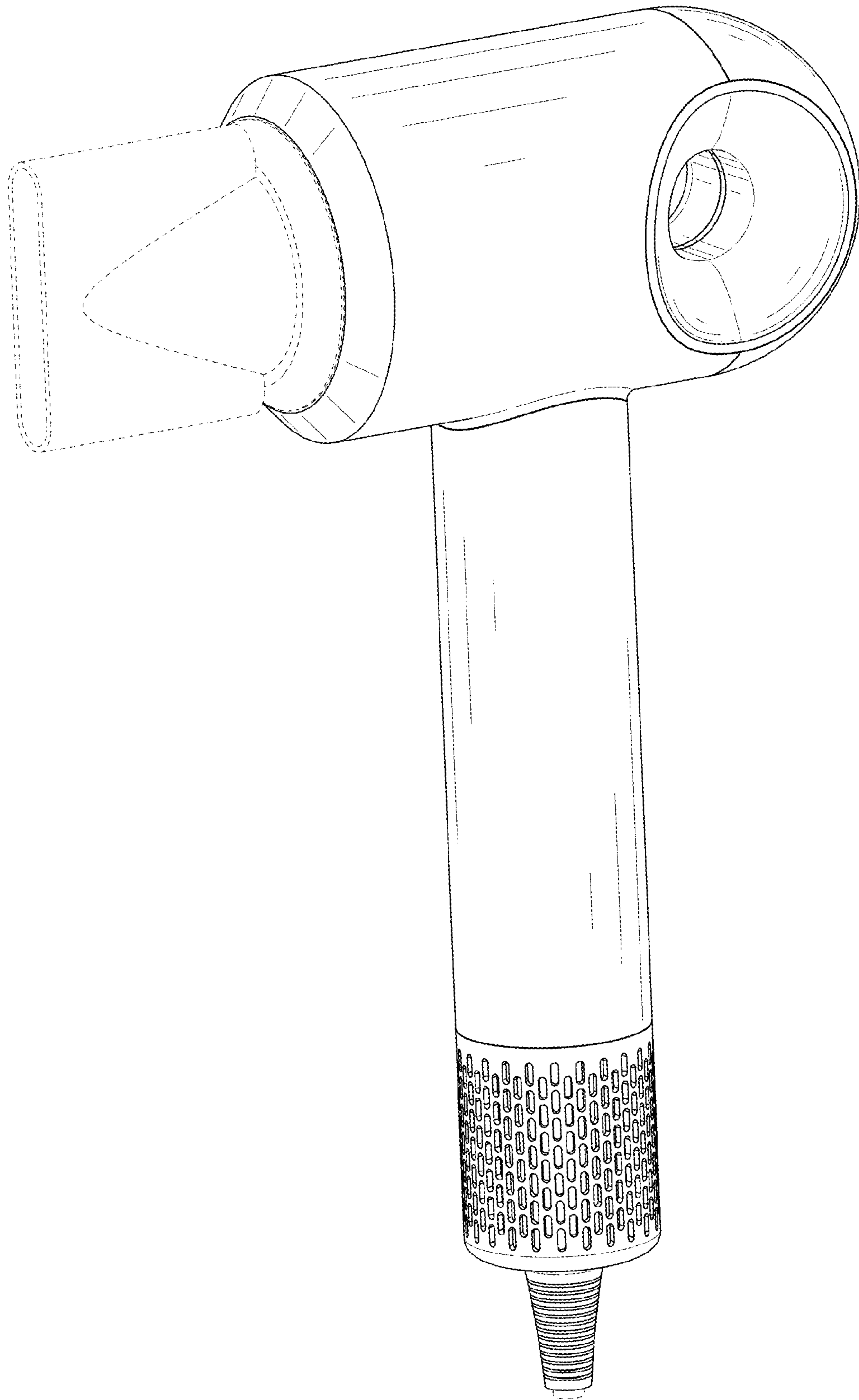


FIG. 10

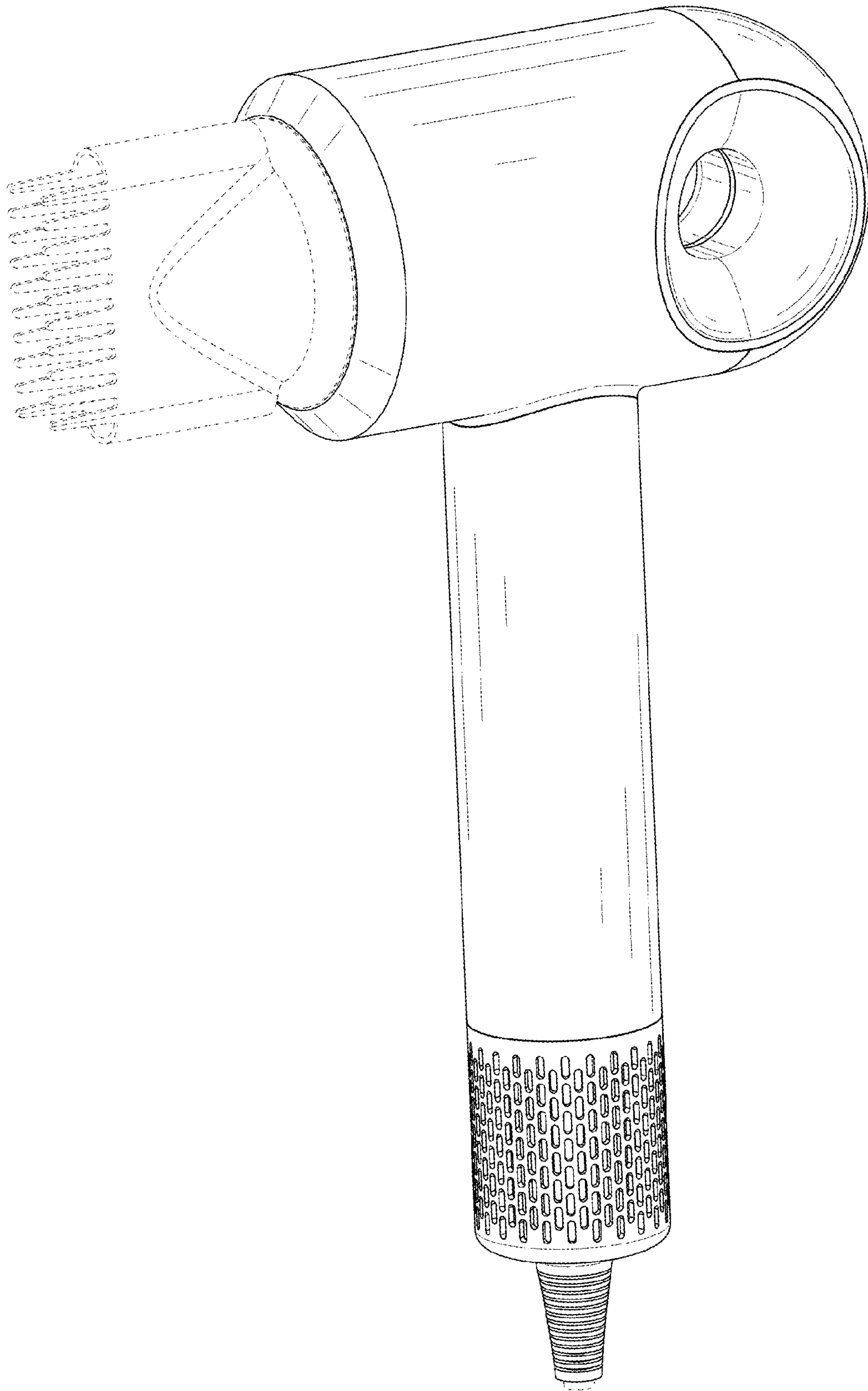


FIG. 11

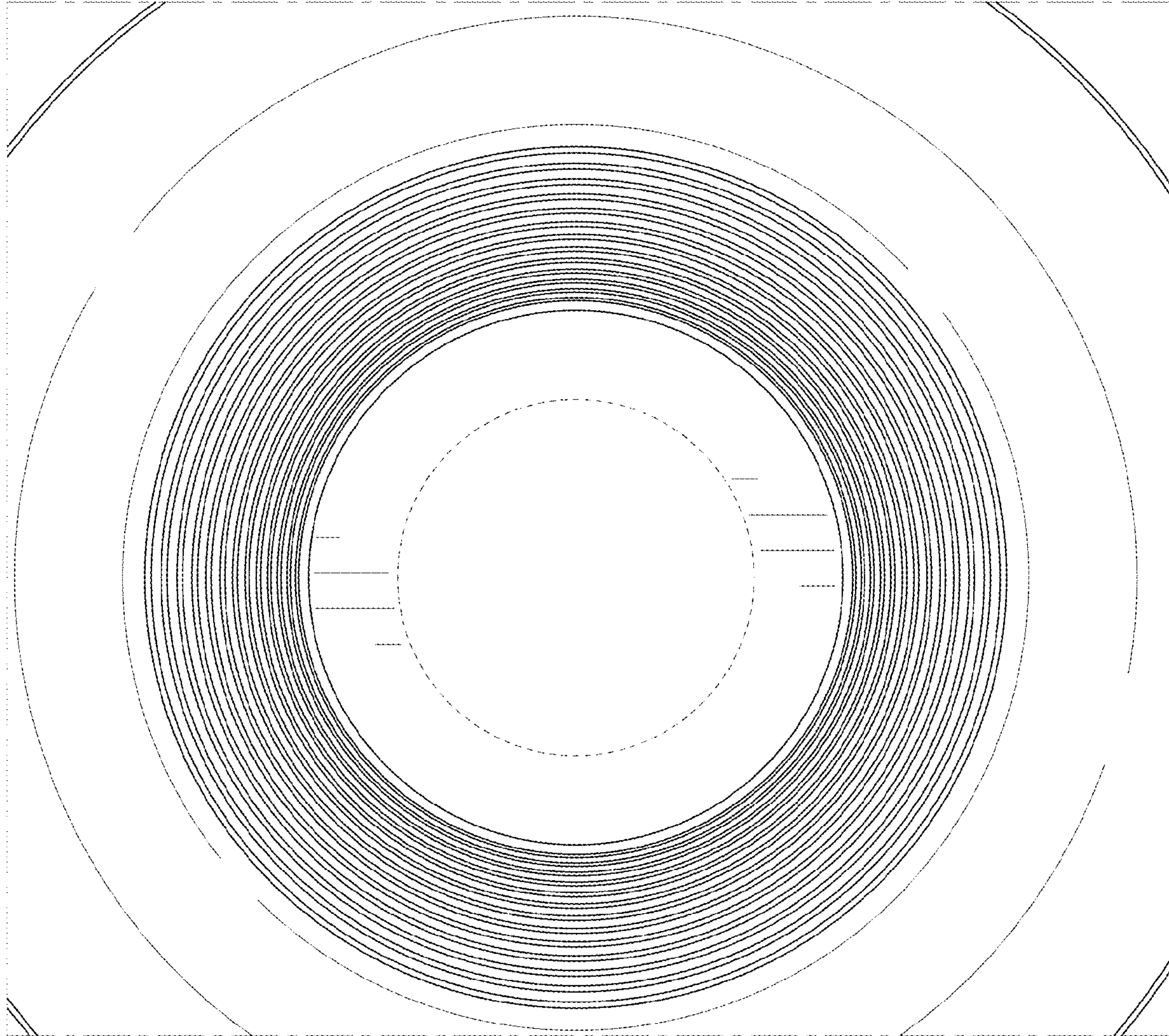


FIG. 12