



US00D985195S

(12) **United States Design Patent**
Macias Mejia

(10) **Patent No.:** **US D985,195 S**

(45) **Date of Patent:** **** May 2, 2023**

(54) **CAPSULE**
(71) Applicant: **Colgate-Palmolive Company**, New York, NY (US)

D856,816 S * 8/2019 Sheerin D9/707
D856,817 S * 8/2019 Sheerin D9/707
D856,818 S 8/2019 Bruno et al.

(Continued)

(72) Inventor: **Claudia Daniela Macias Mejia**, New York, NY (US)

FOREIGN PATENT DOCUMENTS

(73) Assignee: **Colgate-Palmolive Company**, New York, NY (US)

EM 003416536-0002 * 10/2016
EM 008611792-0001 * 7/2021
IL 62729 * 9/2018

(**) Term: **15 Years**

Primary Examiner — Jasmine Mlinarcik
Assistant Examiner — Victoria A. Rielly

(21) Appl. No.: **29/652,946**

(57) **CLAIM**

The ornamental design for a capsule, as shown and described.

(22) Filed: **Jan. 15, 2021**

DESCRIPTION

(51) **LOC (14) Cl.** **09-05**

(52) **U.S. Cl.**
USPC **D28/8.1; D9/707**

(58) **Field of Classification Search**
USPC D28/4, 5, 8.1, 8.2, 9; D1/126, 128, 130, D1/199; D9/425, 707, 708, 732, 737, D9/759; D24/101, 103, 115, 118; D32/29.1
CPC . C11D 17/00; C11D 17/0052; C11D 17/0056; C11D 17/0073; C11D 17/0078; C11D 17/0082; C11D 17/0086; C11D 17/0095; C11D 17/0004; C11D 17/0008; C11D 17/003; C11D 17/0039; C11D 17/0021; C11D 13/18; A47L 2501/07

See application file for complete search history.

FIG. 1 is a front perspective view of a capsule of the new design;
FIG. 2 is a rear perspective view thereof;
FIG. 3 is a front view thereof;
FIG. 4 is a rear view thereof;
FIG. 5 is a left side view thereof;
FIG. 6 is a right side view thereof;
FIG. 7 is a top plan view thereof; and
FIG. 8 is a bottom plan view thereof.
FIG. 9 is a front perspective view of a capsule according to a second embodiment of the new design;
FIG. 10 is a rear perspective view thereof;
FIG. 11 is a front view thereof;
FIG. 12 is a rear view thereof;
FIG. 13 is a left side view thereof;
FIG. 14 is a right side view thereof;
FIG. 15 is a top plan top view thereof; and,
FIG. 16 is a bottom plan view thereof.

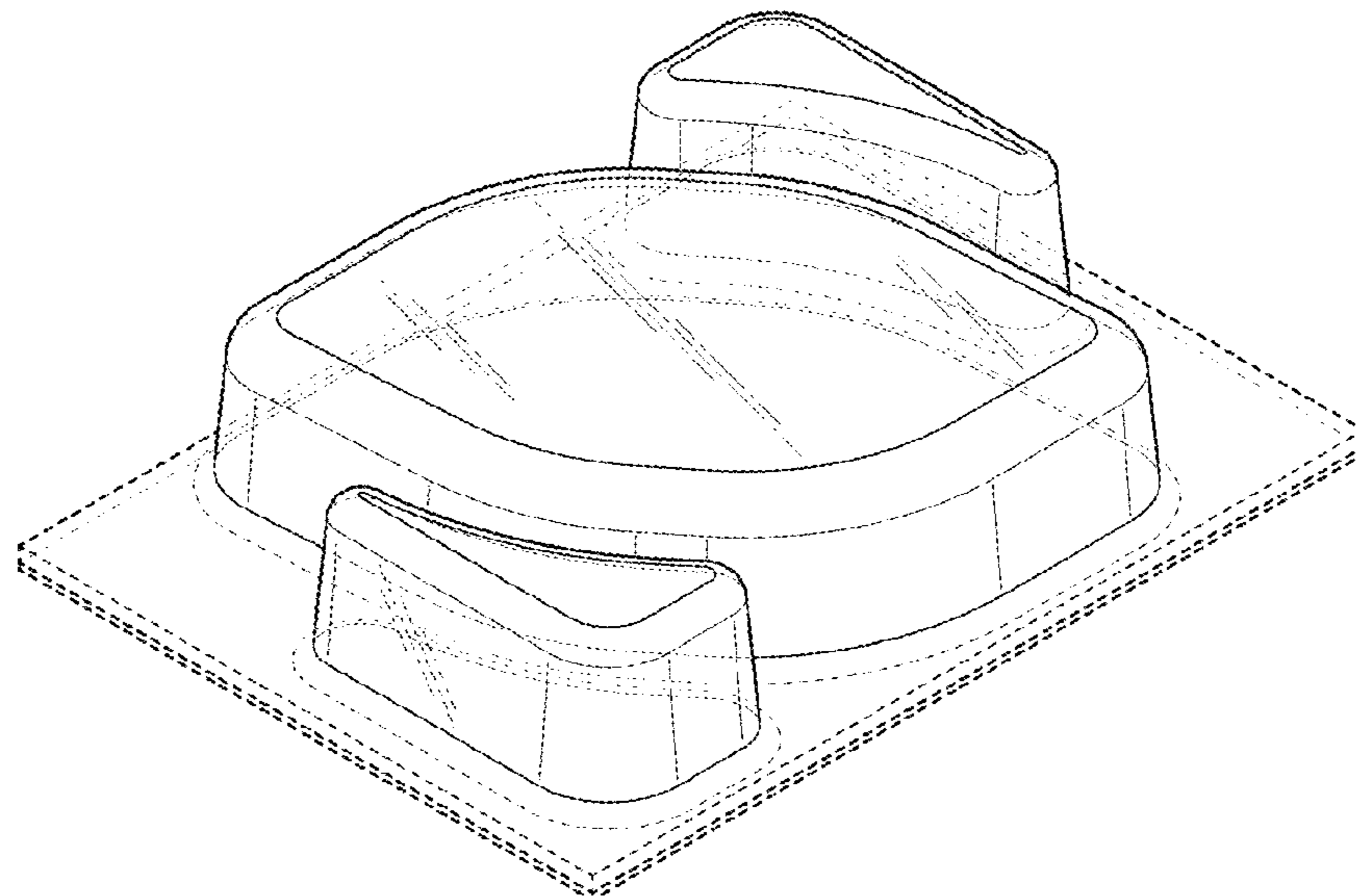
(56) **References Cited**

U.S. PATENT DOCUMENTS

D796,736 S * 9/2017 Burdeos Andreu D28/8.1
D809,200 S 1/2018 Musci et al.
D809,708 S * 2/2018 Reda D28/8.1
D809,709 S * 2/2018 Reda D28/8.1
D809,710 S * 2/2018 Reda D28/8.1
D812,298 S * 3/2018 Burdeos Andreu D28/8.1
D829,984 S * 10/2018 Gerhards D28/8.1

The dashed broken lines illustrate the bounds of the claimed design and form no part of the claimed design. The contrast in shading represents a contrast in appearance only and does not represent any particular color, material, texture or finish.

1 Claim, 8 Drawing Sheets



(56)

References Cited

U.S. PATENT DOCUMENTS

D857,519 S * 8/2019 Sheerin D9/707
D885,930 S * 6/2020 Witzke D9/705

* cited by examiner

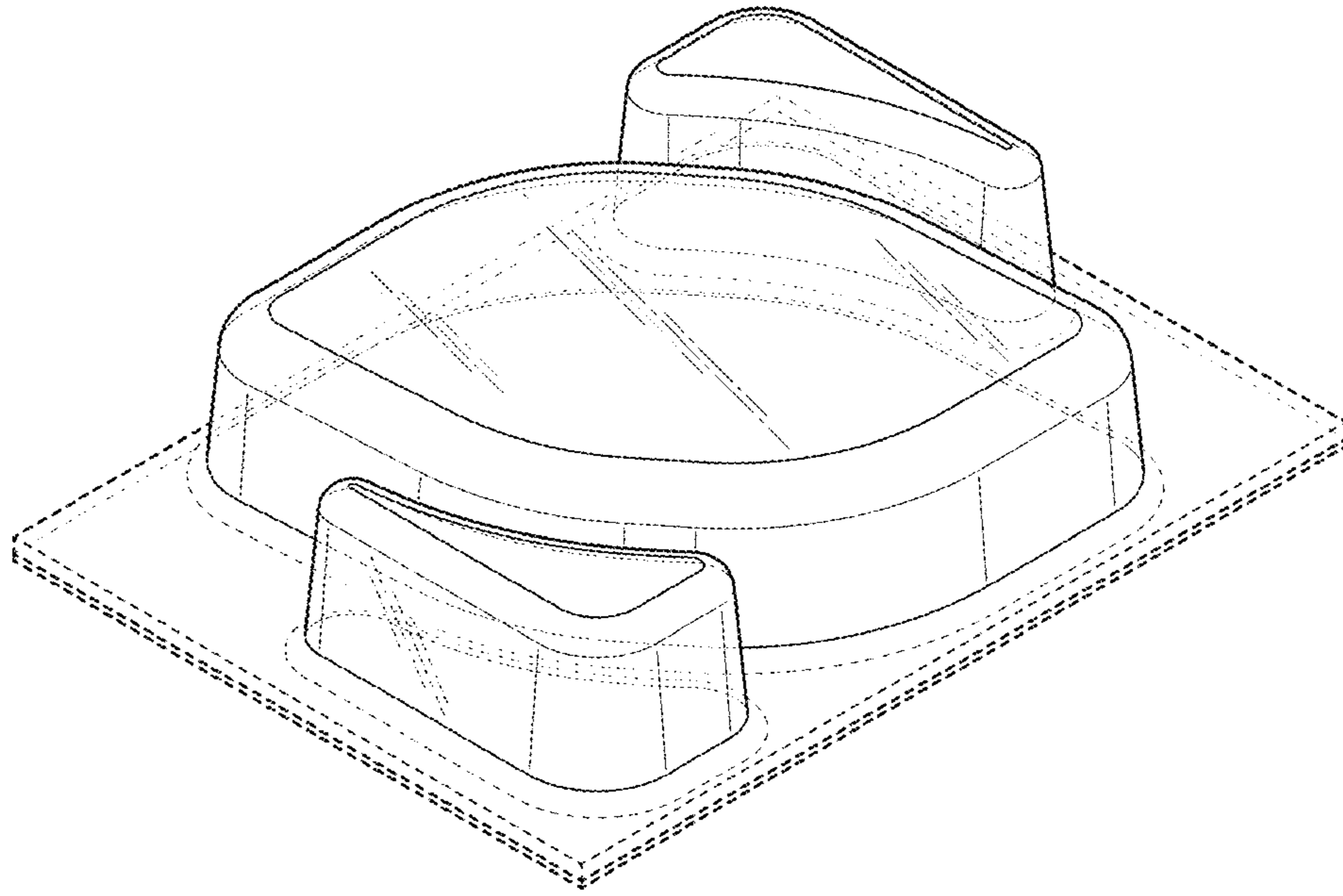


FIG. 1

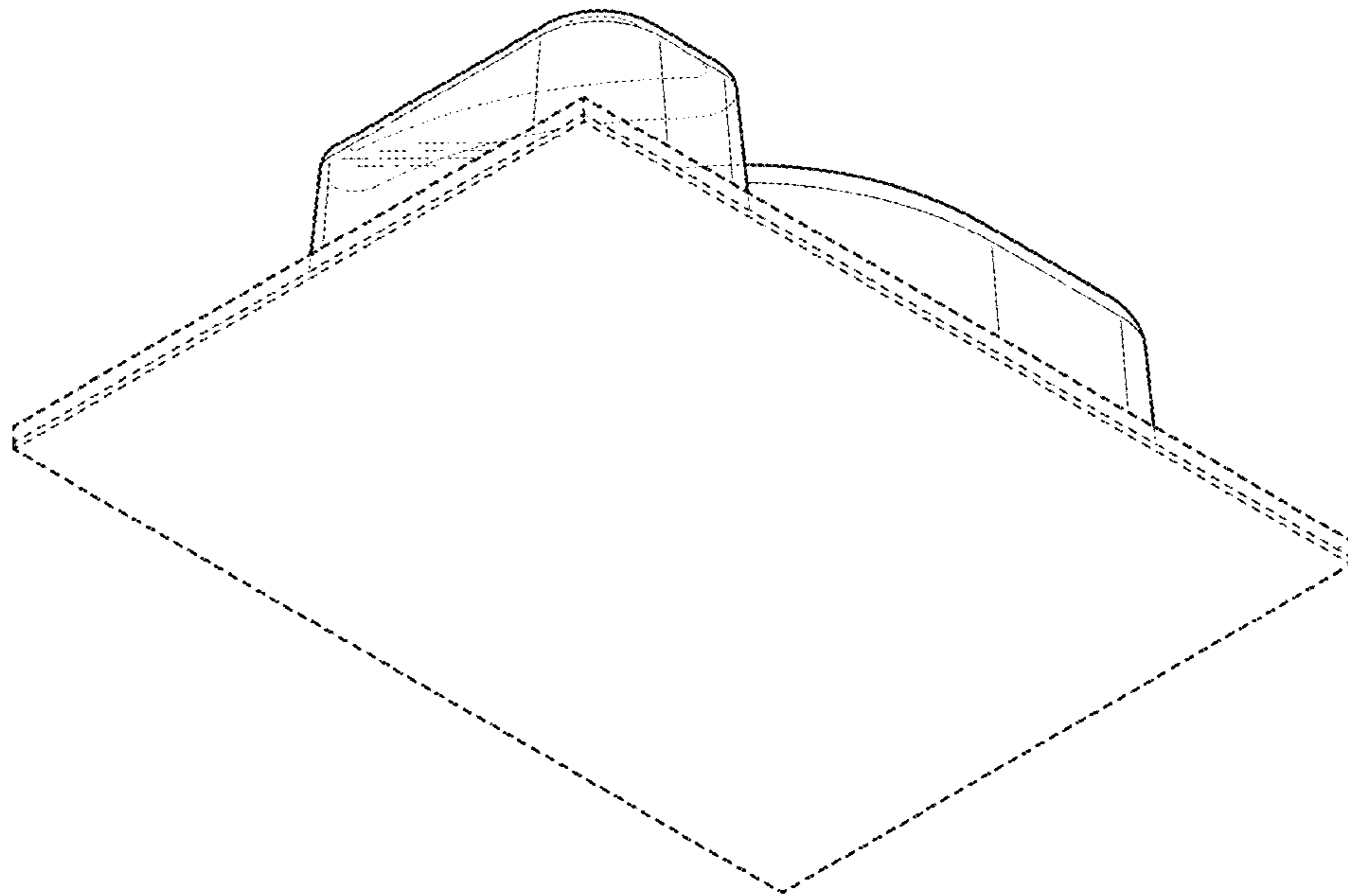


FIG. 2

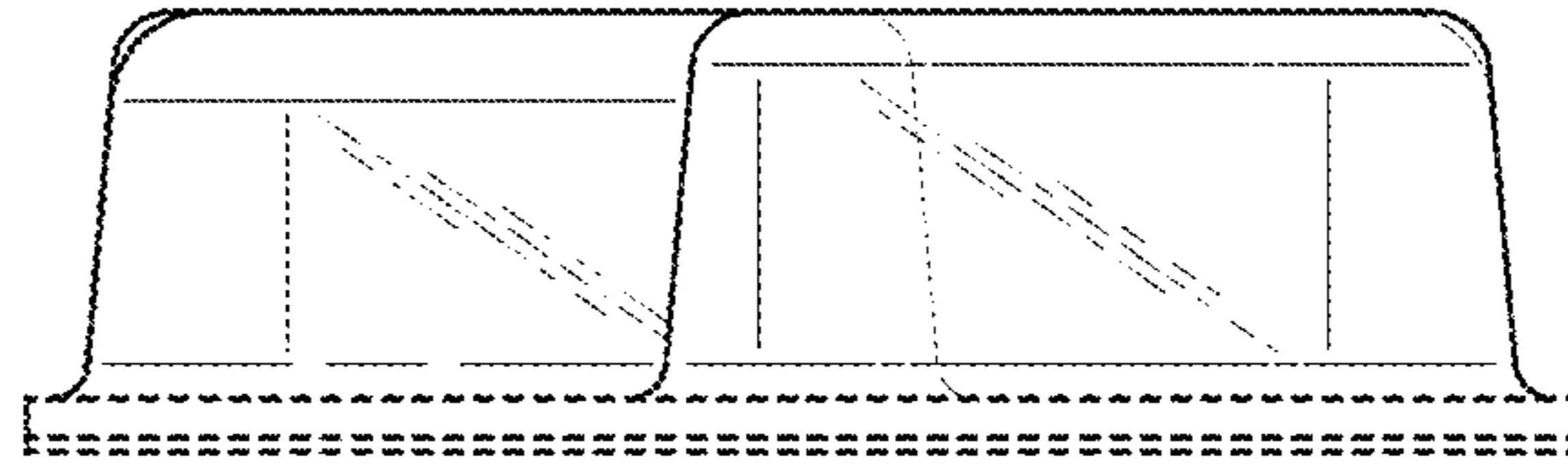


FIG. 3

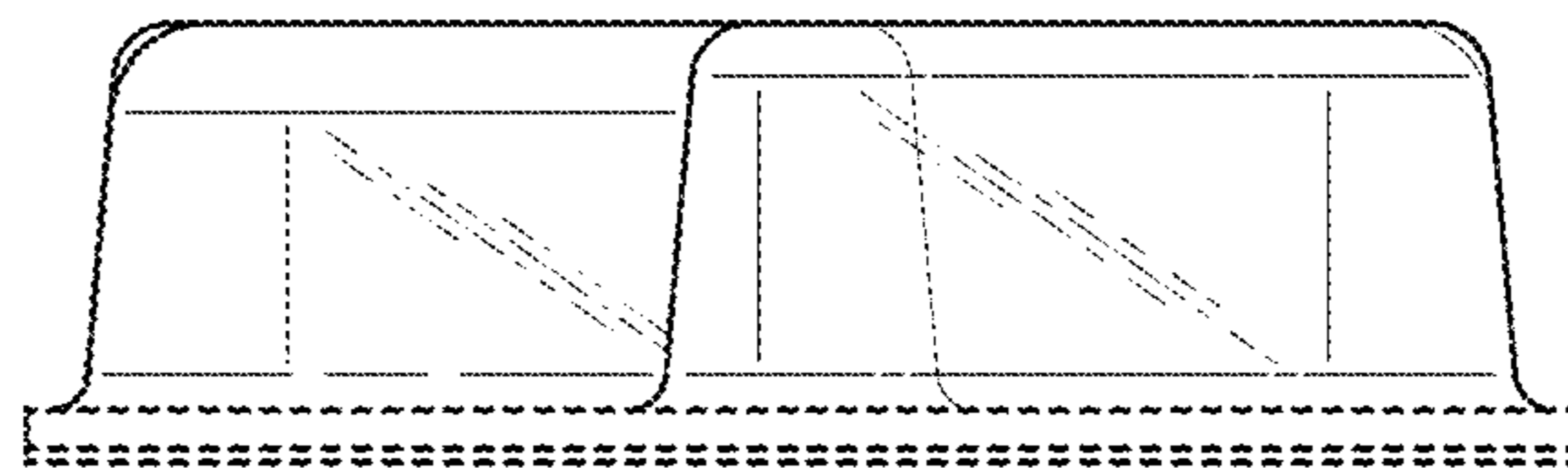


FIG. 4

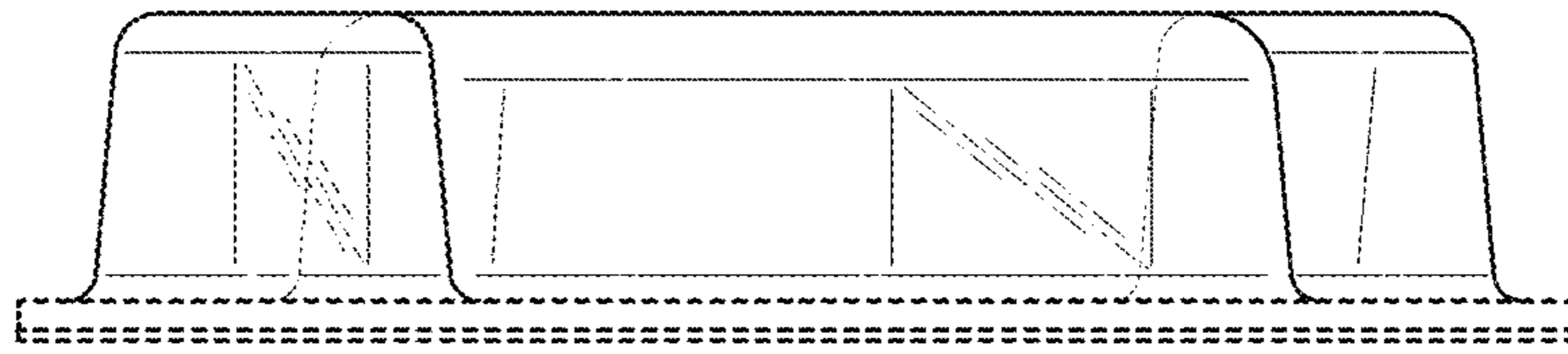


FIG. 5

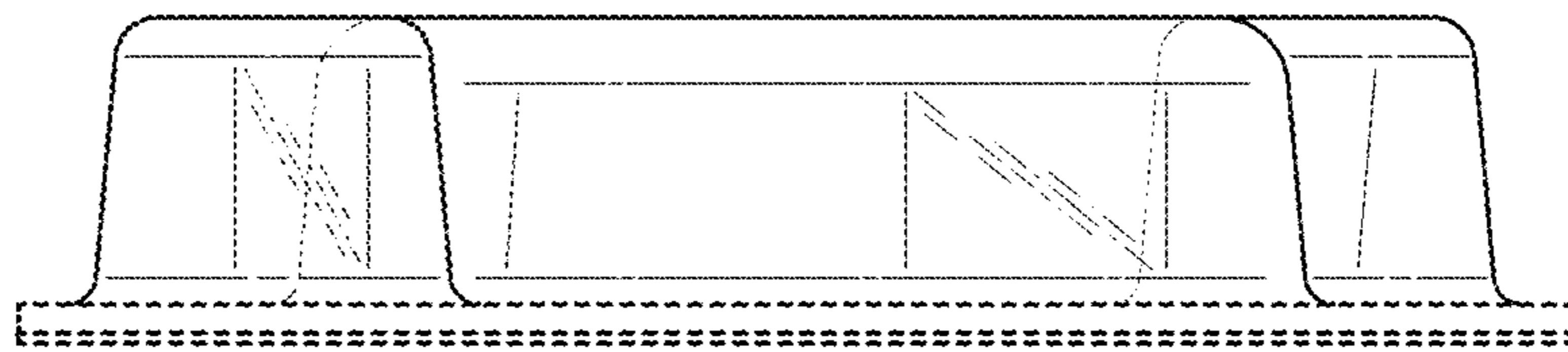


FIG. 6

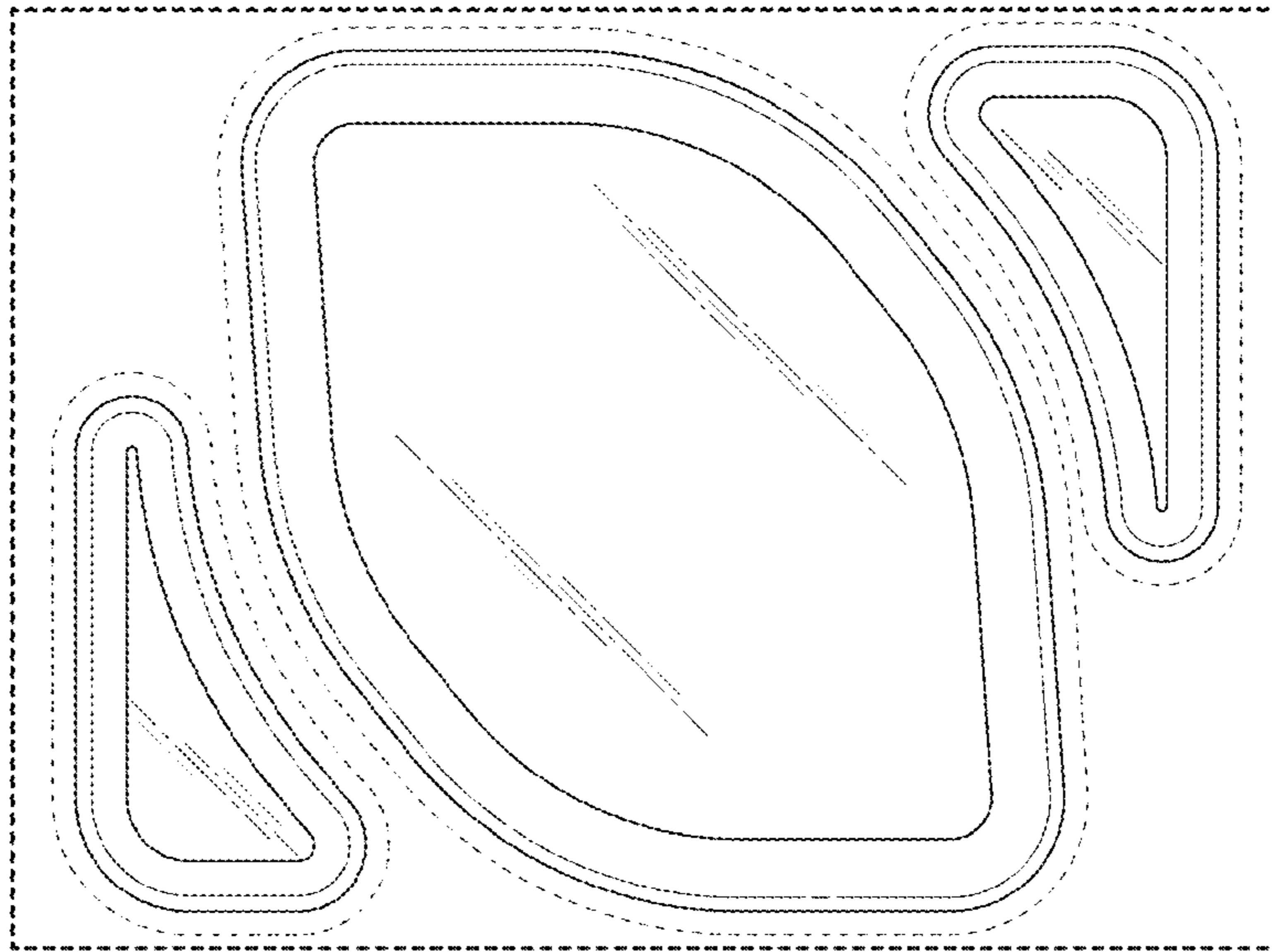


FIG. 7



FIG. 8

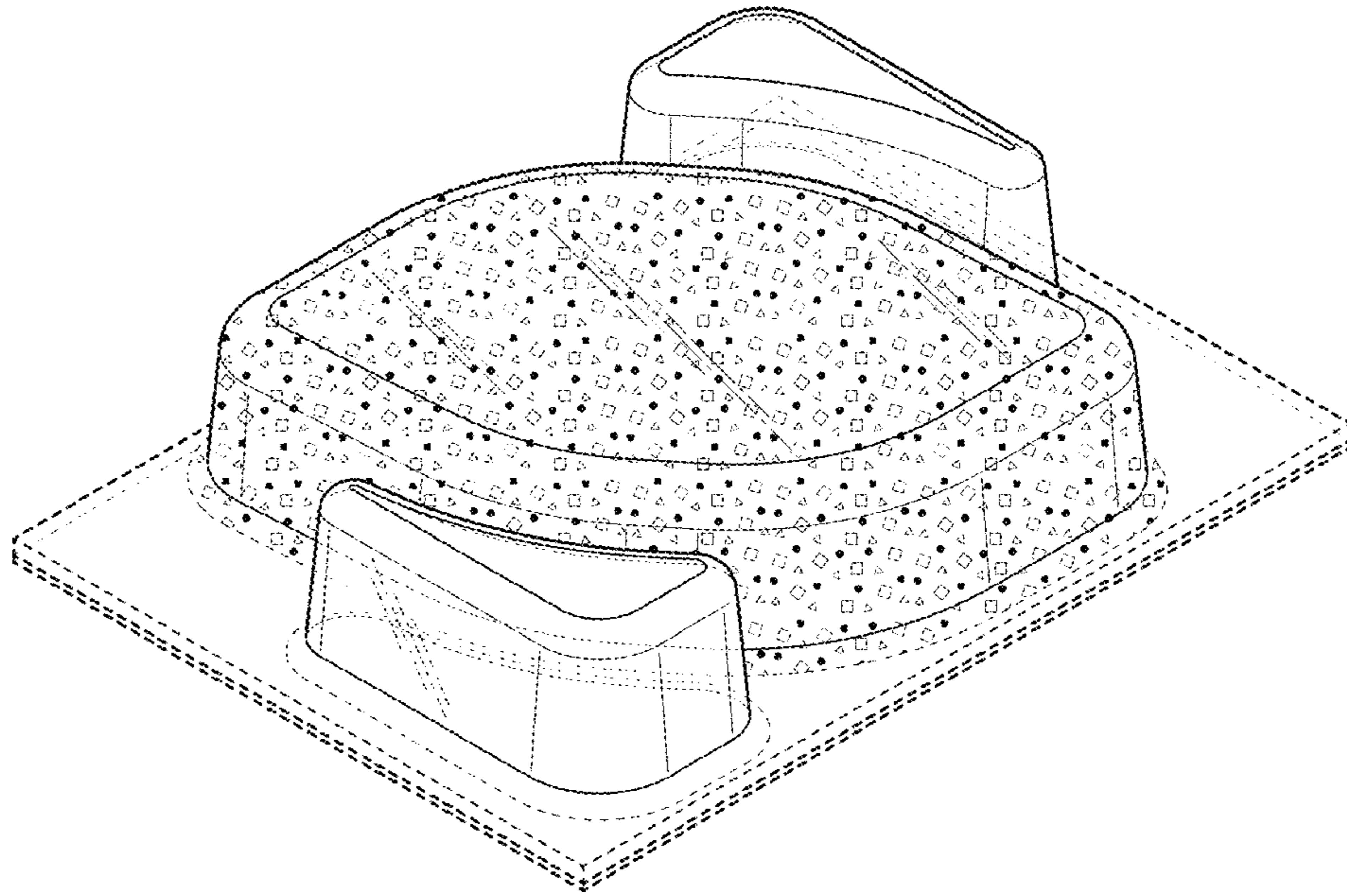


FIG. 9

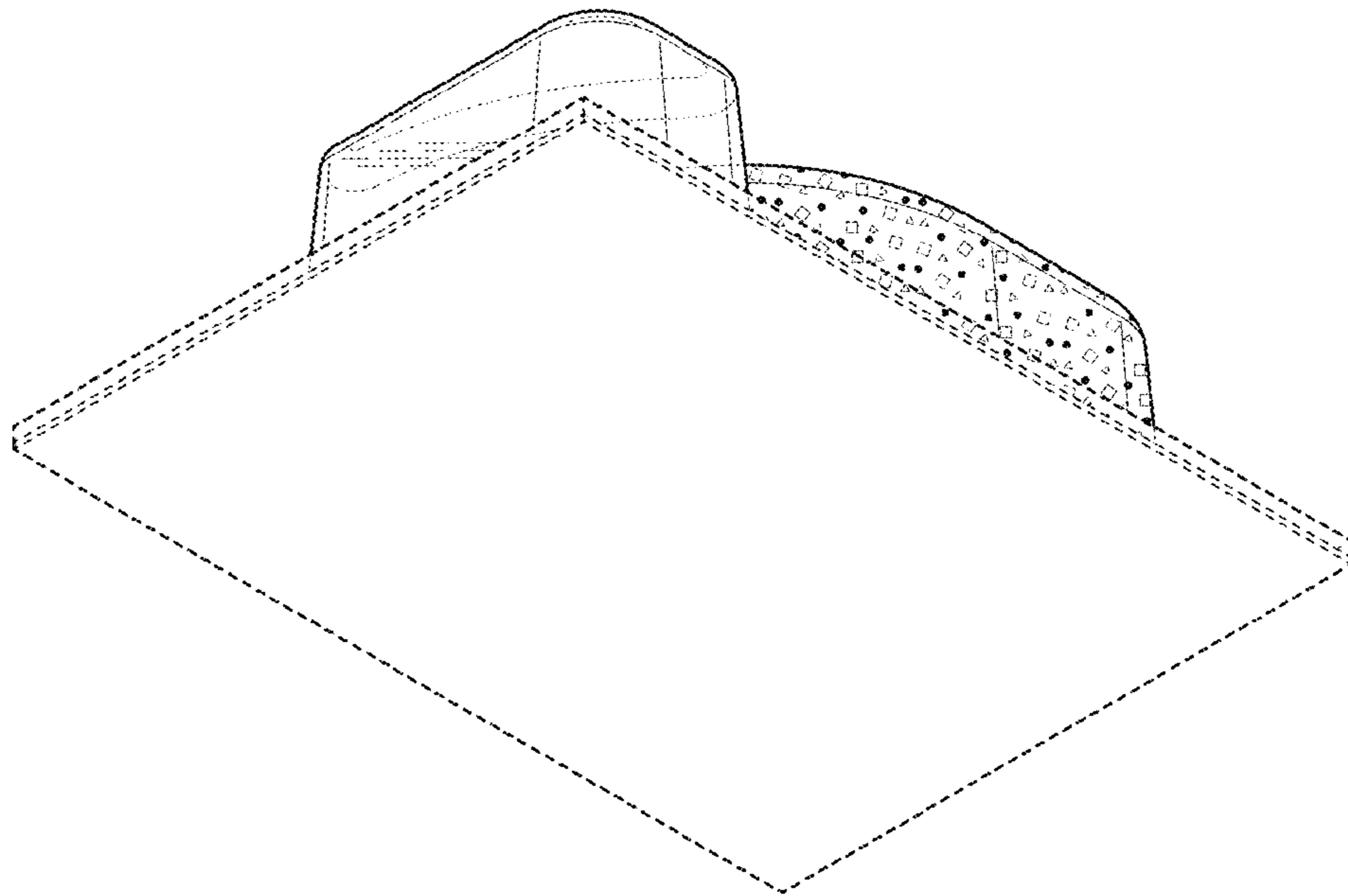


FIG. 10

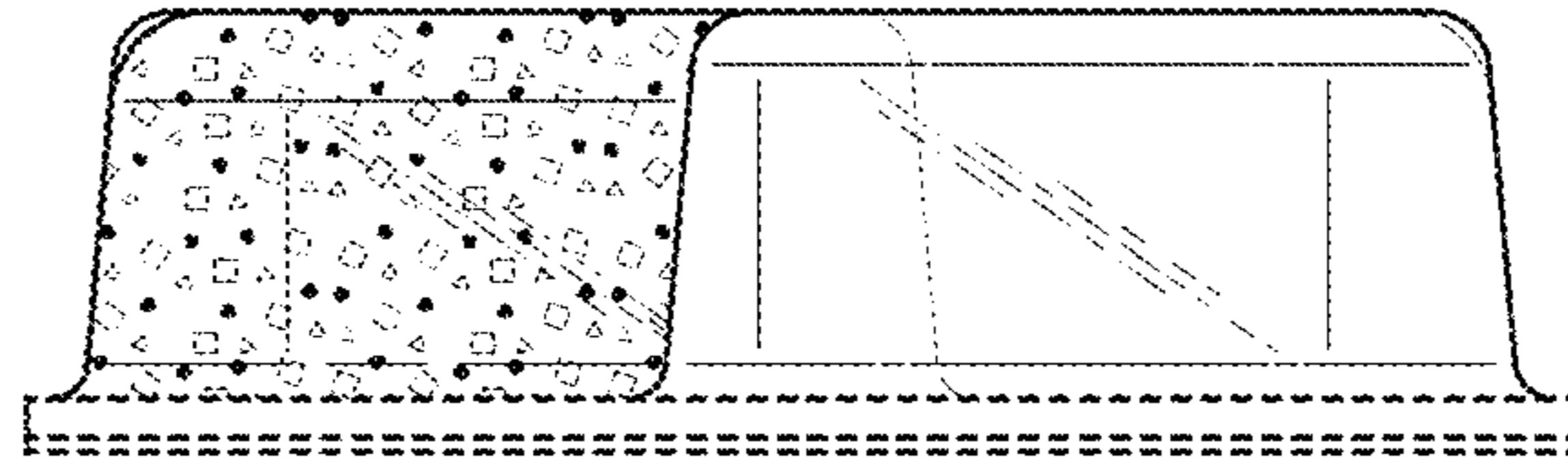


FIG. 11

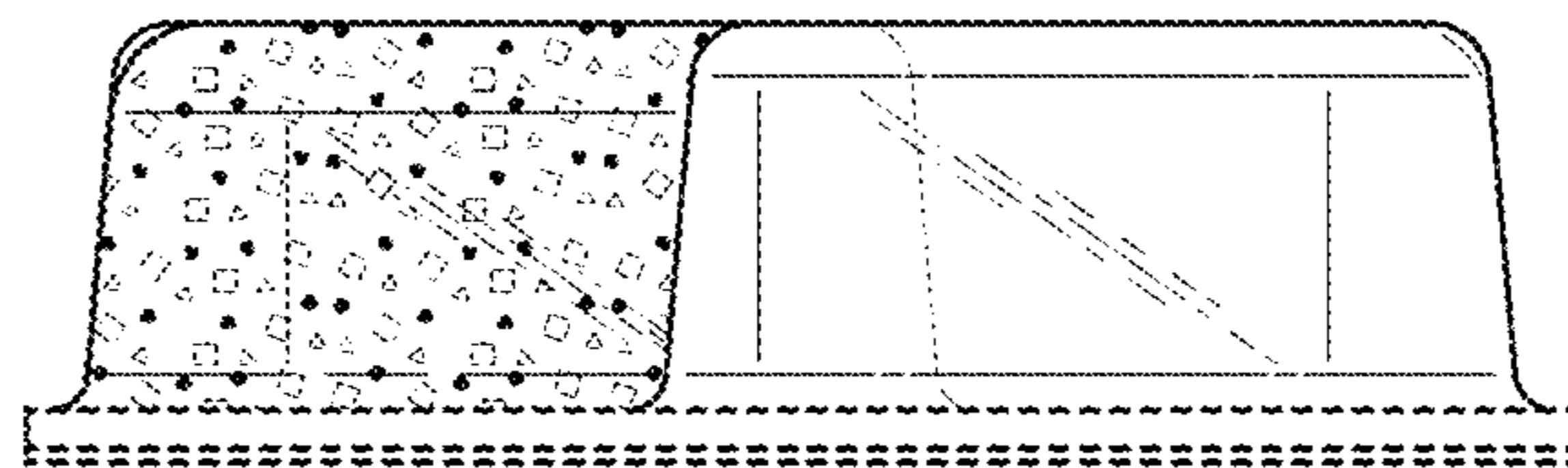


FIG. 12

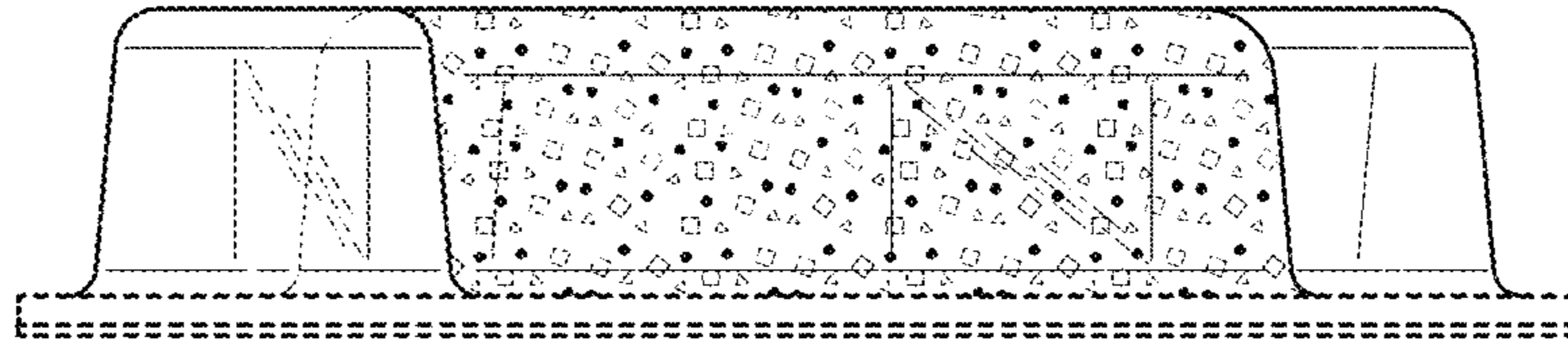


FIG. 13

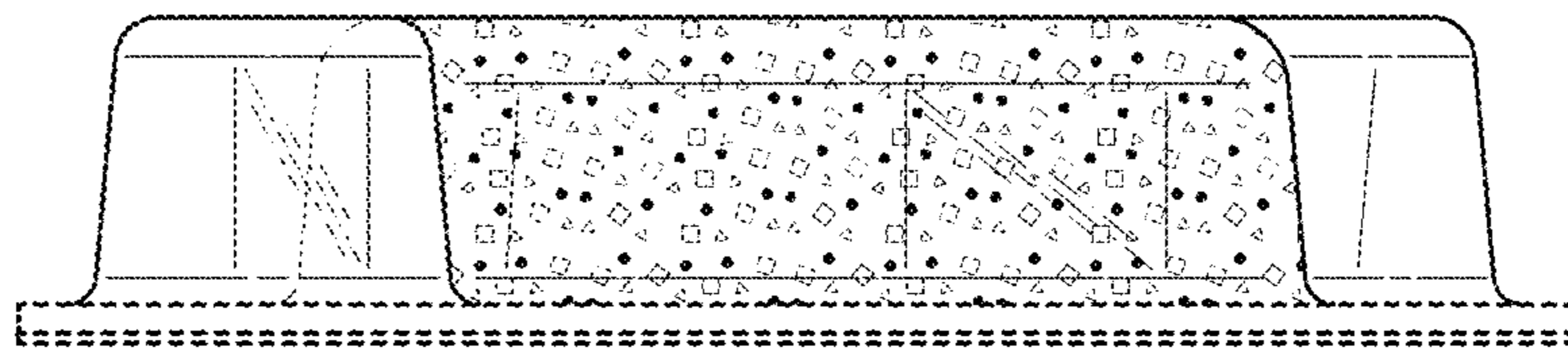


FIG. 14

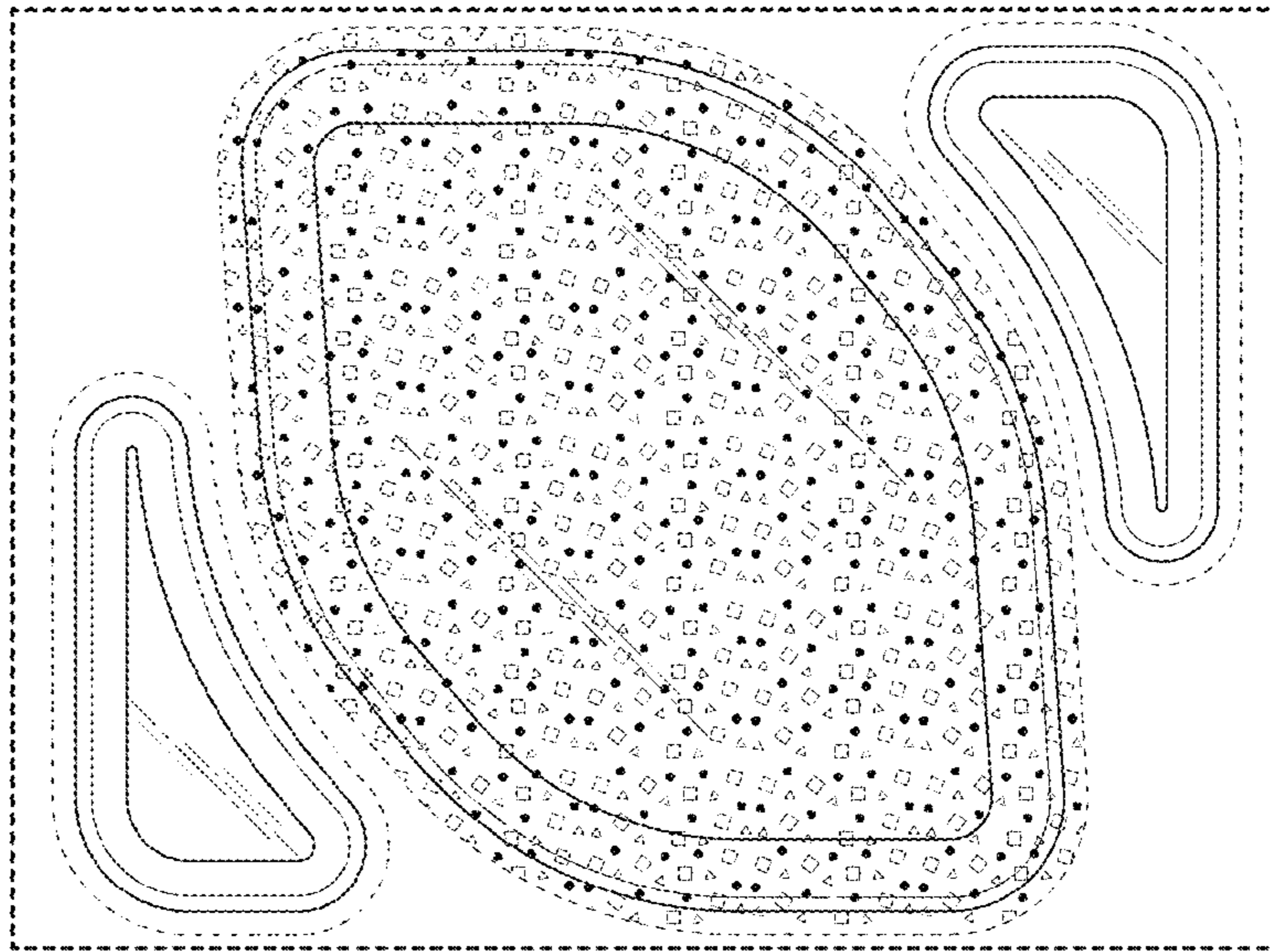


FIG. 15



FIG. 16