



US00D985191S

(12) **United States Design Patent** (10) **Patent No.:** **US D985,191 S**
Wang (45) **Date of Patent:** **** May 2, 2023**

(54) **CIGAR KNIFE**

(71) Applicant: **Shuilong Wang**, Shenzhen (CN)

(72) Inventor: **Shuilong Wang**, Shenzhen (CN)

(**) Term: **15 Years**

(21) Appl. No.: **29/850,103**

(22) Filed: **Aug. 17, 2022**

(51) **LOC (14) Cl.** **27-99**

(52) **U.S. Cl.**
USPC **D27/195**

(58) **Field of Classification Search**
USPC D27/195, 183, 194; D8/51, 52, 57, 60,
D8/98, 99, 100, 105

CPC A24F 13/24; A24F 13/18; A24F 13/20;
A24F 13/22; A24F 13/26

See application file for complete search history.

(56) **References Cited**

U.S. PATENT DOCUMENTS

D410,109 S *	5/1999	Van Keppel	D27/195
5,937,523 A *	8/1999	Van Keppel	A24F 13/26
				30/279.2
D447,277 S *	8/2001	Lion	D27/195
D451,635 S *	12/2001	Smith	D27/157
D463,064 S *	9/2002	Hong	D27/157
D463,618 S *	9/2002	Smith	D27/157
6,875,013 B2 *	4/2005	Smith	F23Q 2/32
				131/249
D526,440 S *	8/2006	Smith	D27/157
D592,802 S *	5/2009	Chuan	D27/157
D616,604 S *	5/2010	Chuan	D27/195
D622,903 S *	8/2010	An	D27/195
D623,352 S *	9/2010	Melgaard	D21/793
D630,794 S *	1/2011	Cohen Harel	D27/195
D698,993 S	2/2014	Sharif et al.		
D757,359 S *	5/2016	Van Keppel	D27/195
D758,005 S	5/2016	Lance et al.		
D853,024 S *	7/2019	Almsberger	D27/195
D853,636 S	7/2019	Jourdan et al.		

D960,444 S *	8/2022	Yang	D27/195
2004/0142293 A1 *	7/2004	Smith	F23Q 2/32
				431/253
2011/0302785 A1 *	12/2011	Chuan	A24F 13/26
				30/113

OTHER PUBLICATIONS

Cigar Cutter By Ostrich found on Amazon (Oct. 26, 2022) https://www.amazon.com/Ostrich-Cutter-Double-Stainless-Guillotine/dp/B08R371G35/ref=sr_1_64?crd=2NT16LSSVXBE&keywords=cigar+knife+cutter&qid=166683 (Dec. 21, 2022).*

* cited by examiner

Primary Examiner — Rebecca Tsehaye

(74) *Attorney, Agent, or Firm* — Rumit Ranjit Kanakia

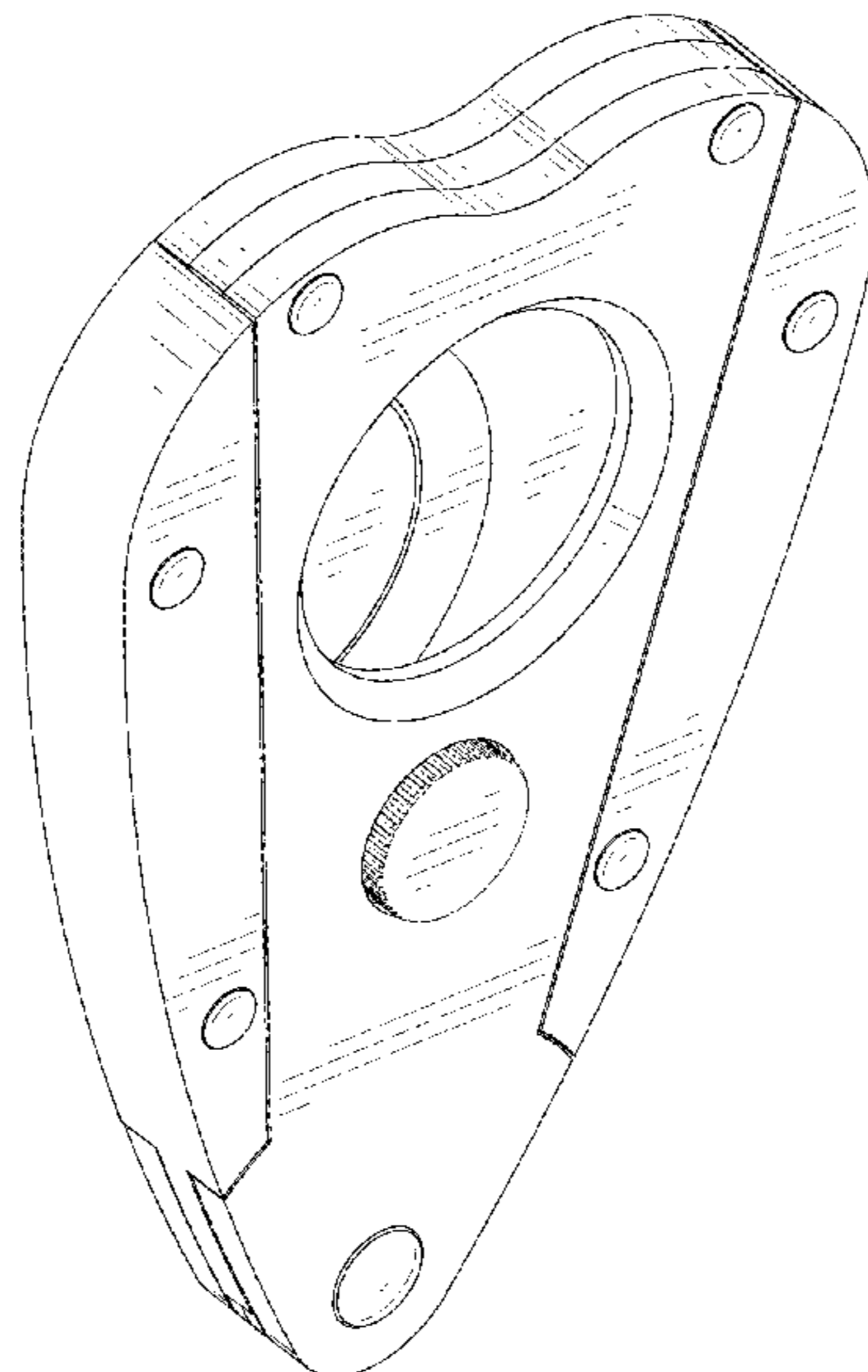
(57) **CLAIM**

The ornamental design for a cigar knife, as shown and described.

DESCRIPTION

FIG. 1 is a first perspective view of a cigar knife showing my new design;
FIG. 2 is a second perspective view thereof;
FIG. 3 is a front view thereof;
FIG. 4 is a back view thereof;
FIG. 5 is a left side view thereof;
FIG. 6 is a right side view thereof;
FIG. 7 is a top view thereof;
FIG. 8 is a bottom view thereof; and,
FIG. 9 is a perspective view of the cigar knife in an open configuration thereof.
The broken lines shown in the drawings depict portions of the cigar knife that form no part of the claimed design.

1 Claim, 9 Drawing Sheets



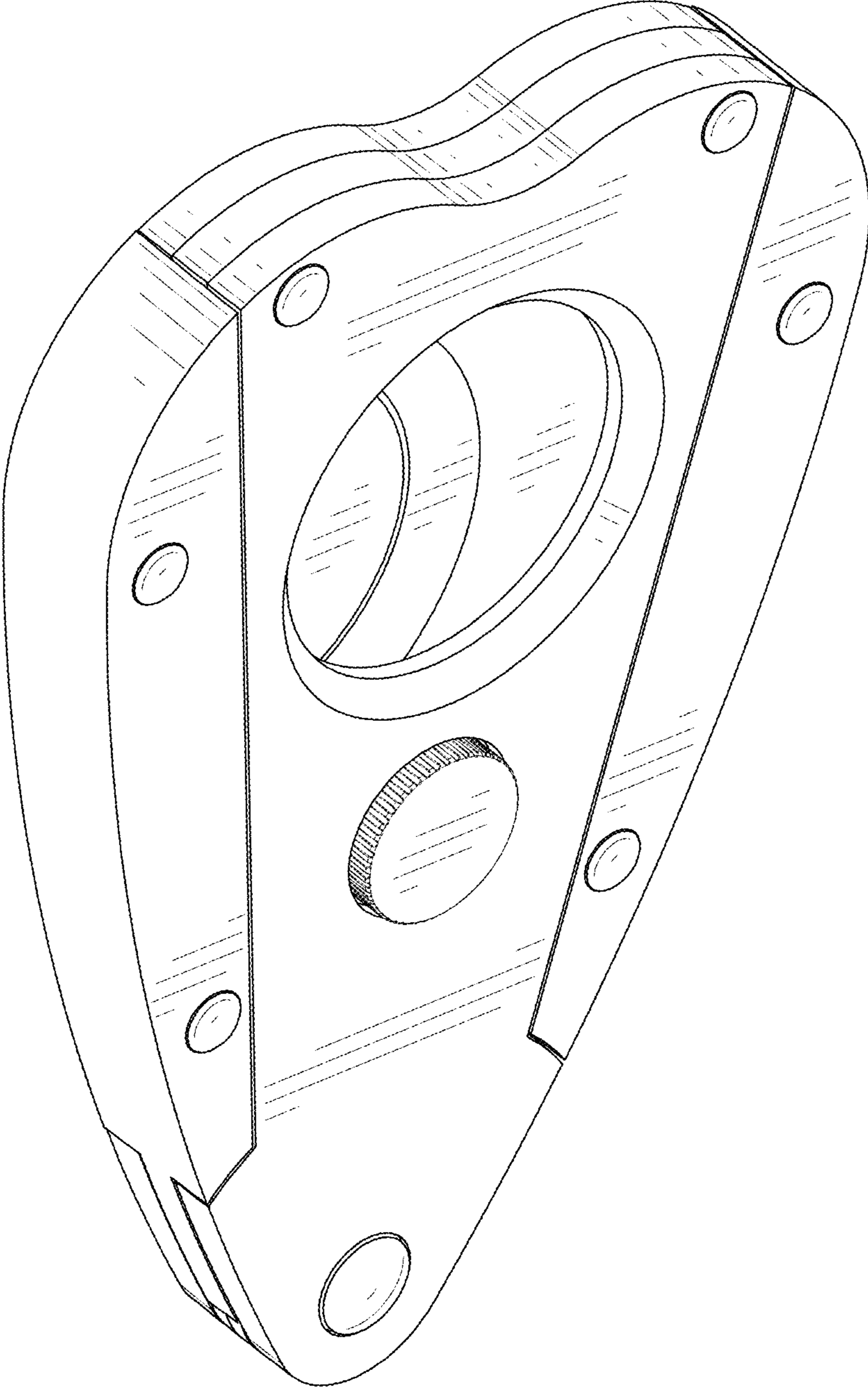


FIG. 1

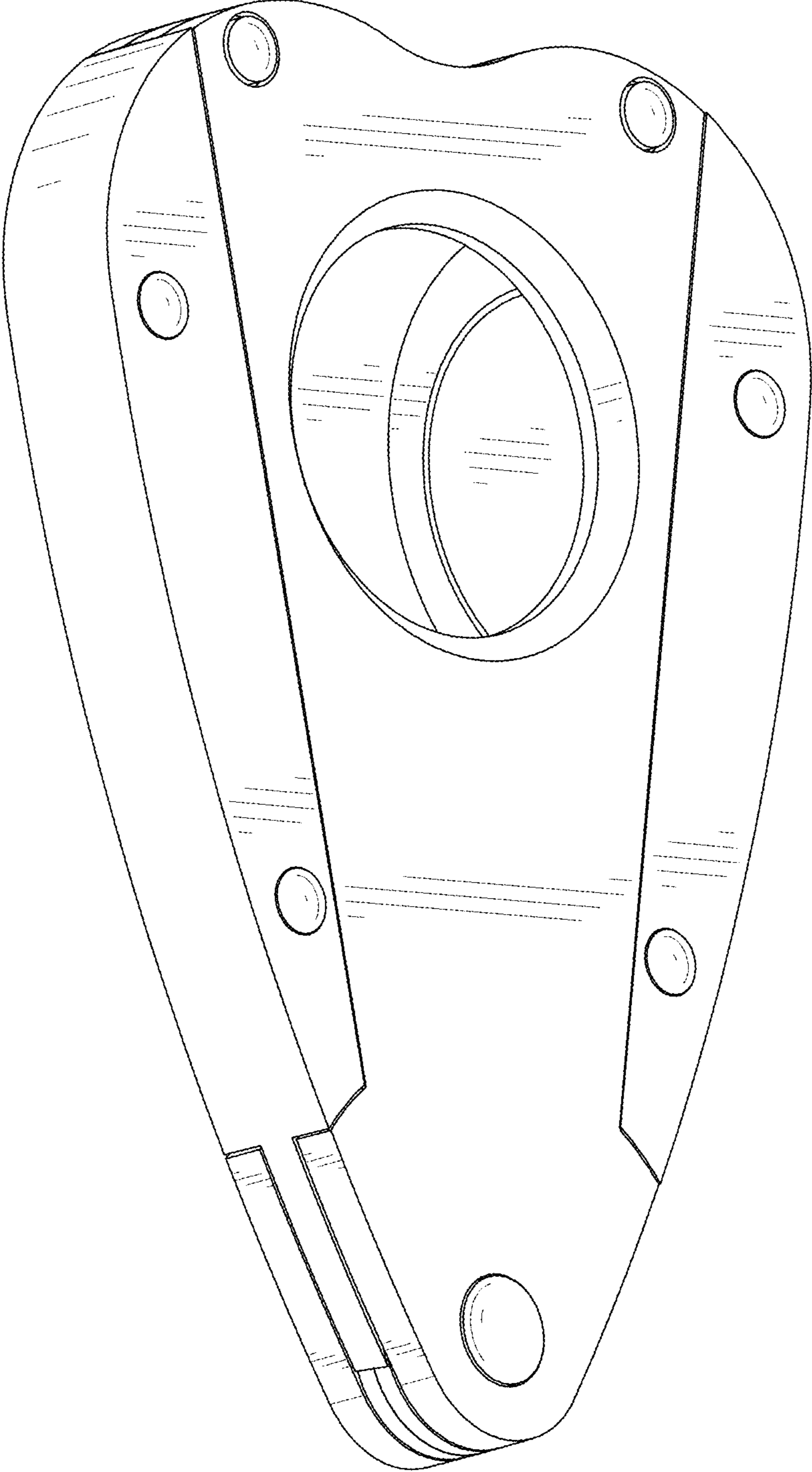


FIG. 2

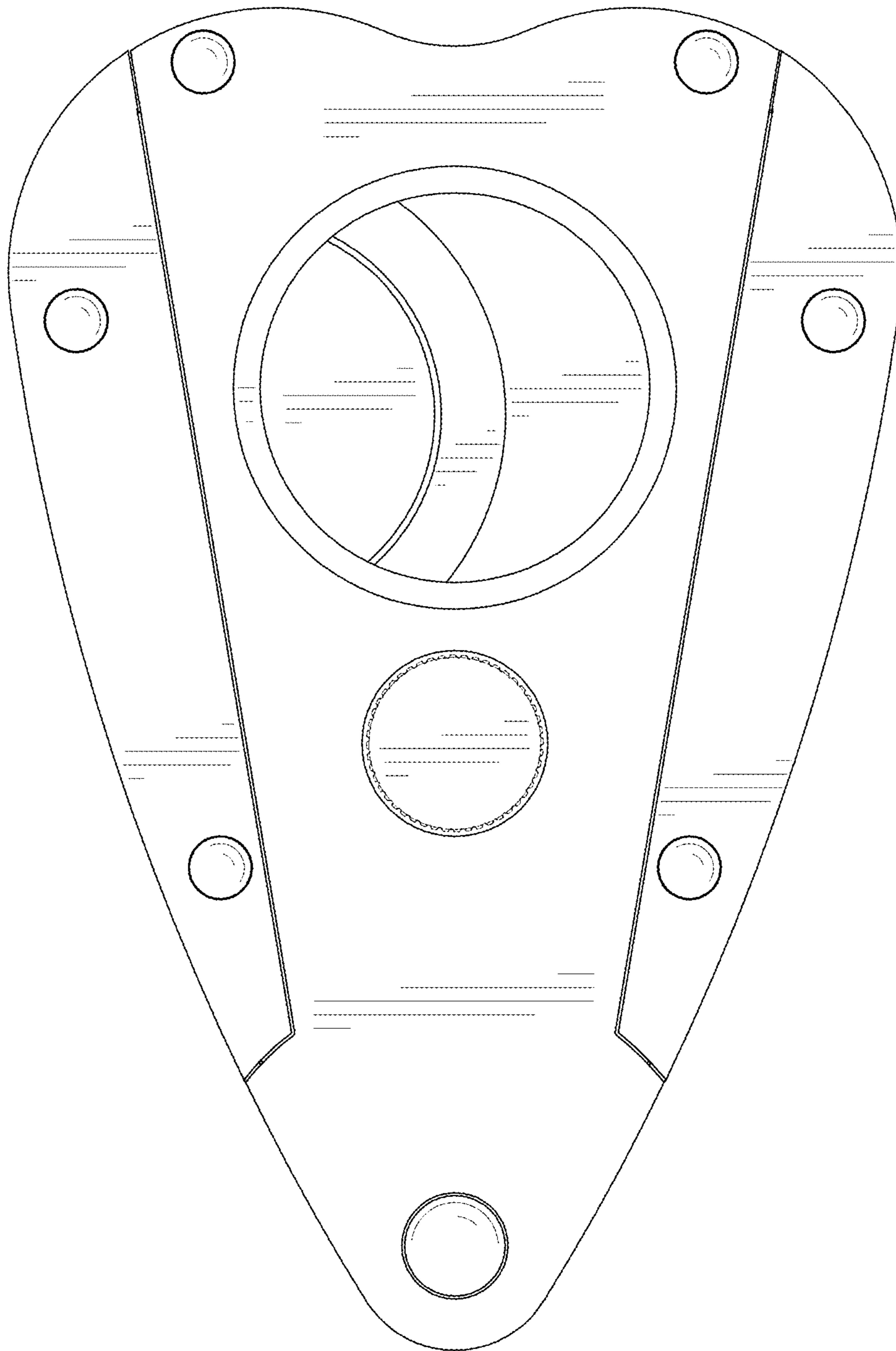


FIG. 3

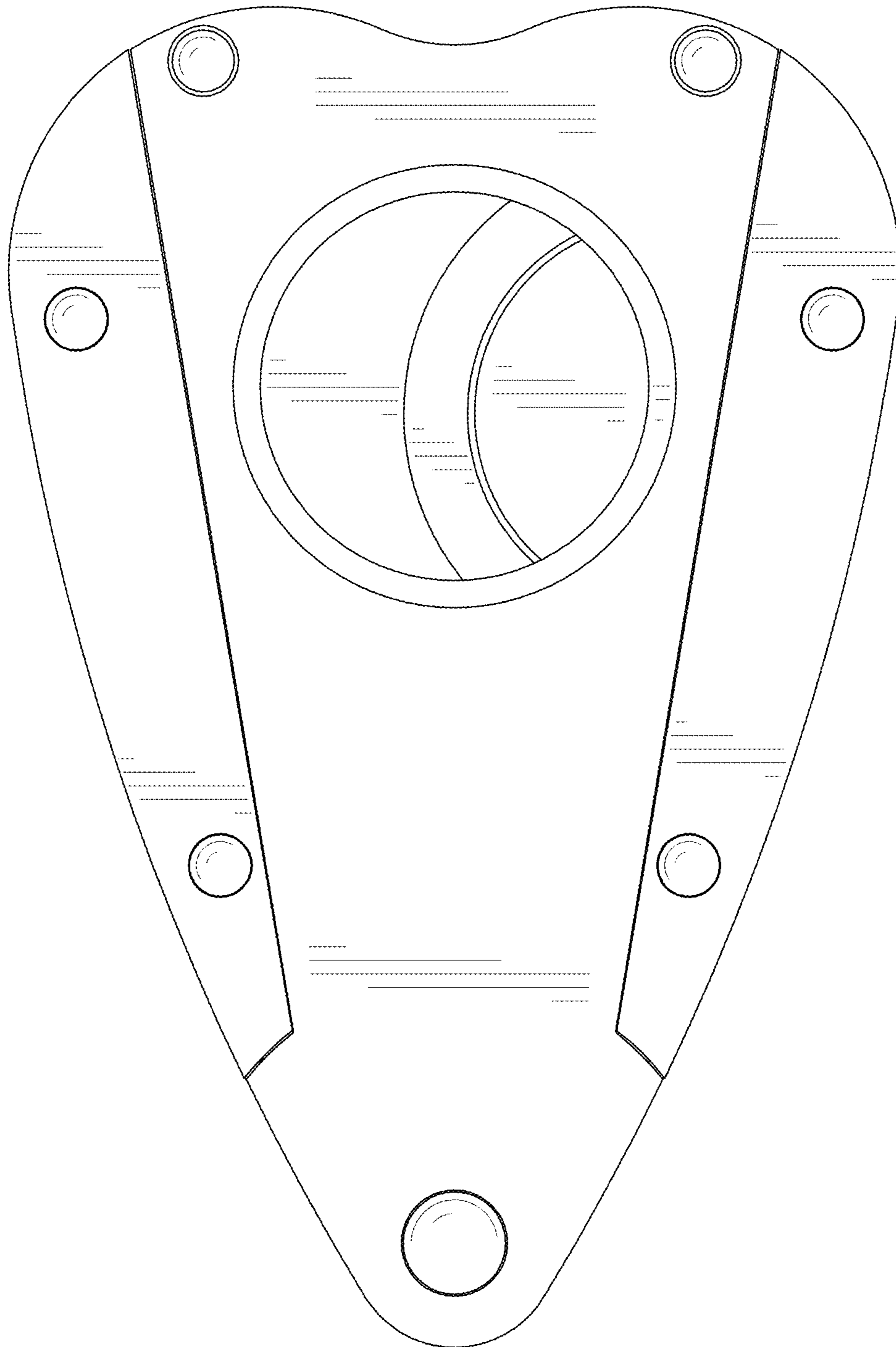


FIG. 4

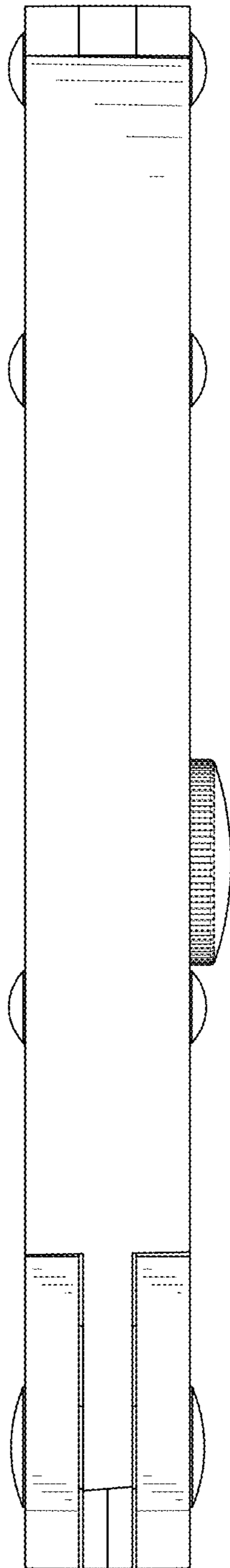


FIG. 5

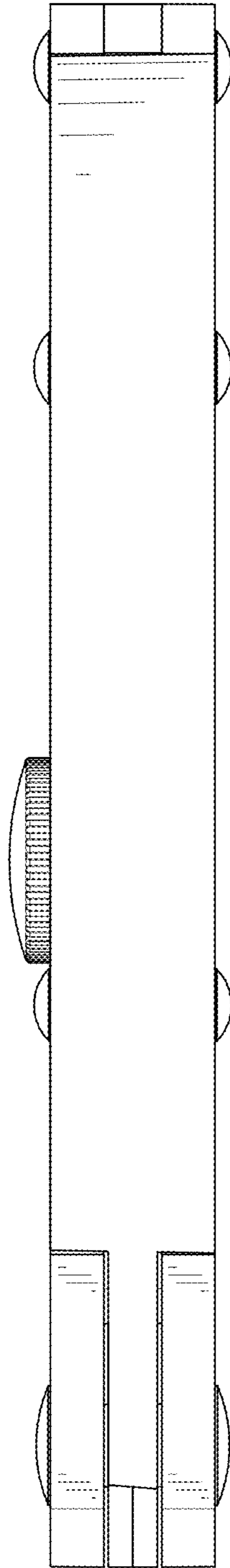


FIG. 6

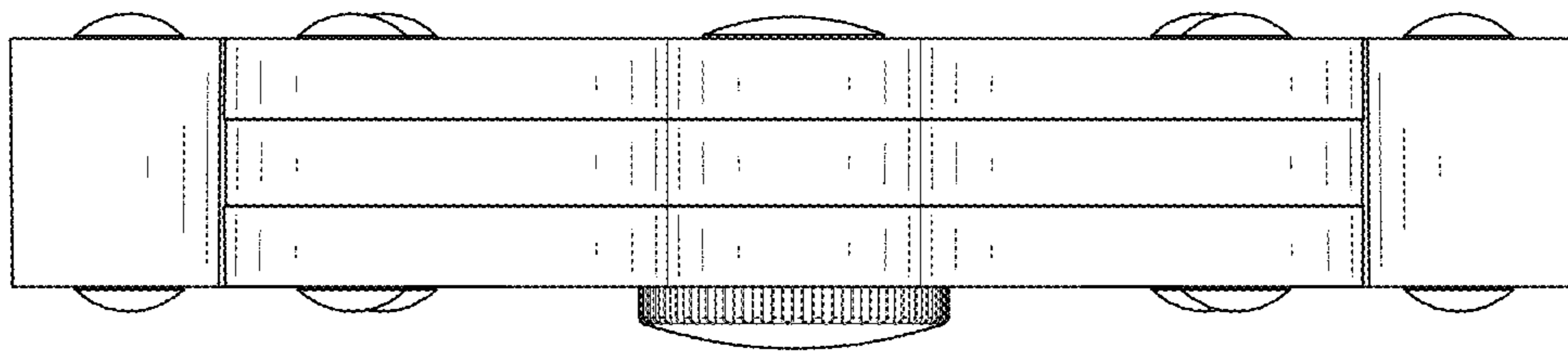


FIG. 7

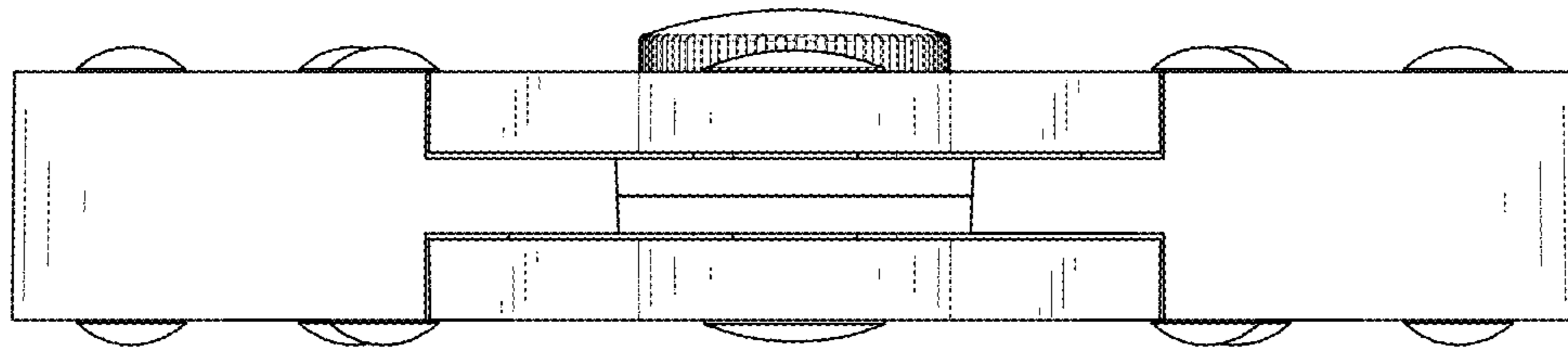


FIG. 8

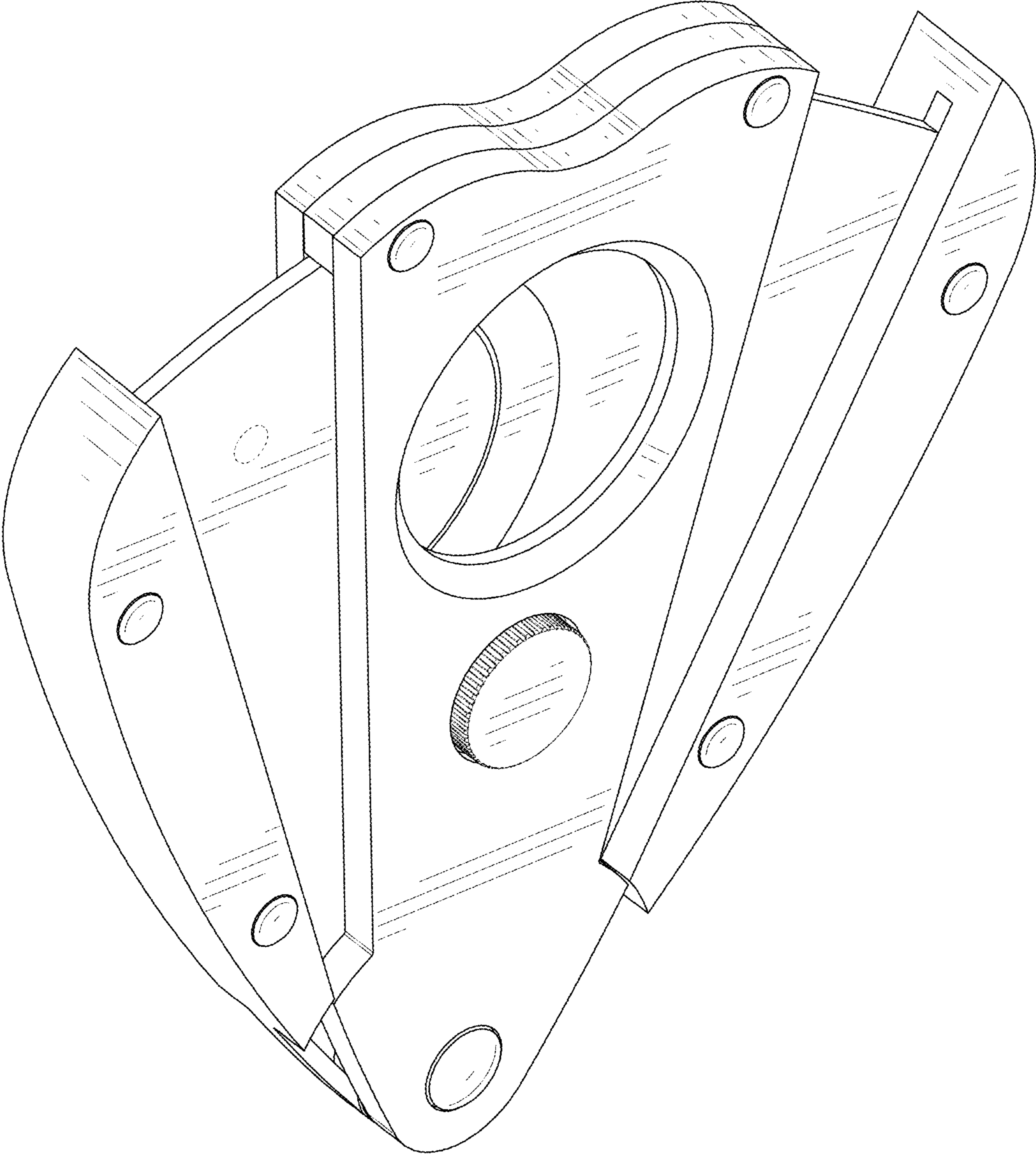


FIG. 9