



US00D985190S

(12) **United States Design Patent** (10) **Patent No.:** **US D985,190 S**
Slate et al. (45) **Date of Patent:** **** May 2, 2023**

(54) **CIGAR HOLDER**
(71) Applicants: **Michael Slate**, Indianapolis, IN (US);
Ian Winston Scott Bennett,
Indianapolis, IN (US)
(72) Inventors: **Michael Slate**, Indianapolis, IN (US);
Ian Winston Scott Bennett,
Indianapolis, IN (US)
(**) Term: **15 Years**
(21) Appl. No.: **29/804,091**
(22) Filed: **Aug. 18, 2021**
(51) **LOC (14) Cl.** **27-06**
(52) **U.S. Cl.**
USPC **D27/183**
(58) **Field of Classification Search**
USPC D27/183, 172, 174, 175, 184, 186, 187,
D27/188, 189, 190, 194; D3/207, 208,
D3/212
CPC B65D 85/12; B65D 85/10; B65D 85/08;
B65D 85/1009; B65D 85/10036; B65D
85/1054; B65D 85/1036; B65D 85/00;
B65D 81/02; B65D 81/0022; B65D
81/133
See application file for complete search history.

(56) **References Cited**
U.S. PATENT DOCUMENTS
1,222,435 A * 4/1917 Forstmann B65D 85/1072
206/256
D427,433 S * 7/2000 Leibeck D3/273
D572,057 S * 7/2008 Lledo D6/515

D573,303 S * 7/2008 Fuente D27/189
D596,788 S * 7/2009 Fuente D27/189
D618,392 S * 6/2010 LoRe D27/175
D712,091 S * 8/2014 Liu D27/193
D893,095 S * 8/2020 Ziering D27/189
D922,680 S * 6/2021 Kurthy D27/183
D936,280 S * 11/2021 Kurthy D27/183
2022/0315274 A1 * 10/2022 Forstmann B65D 5/48048

OTHER PUBLICATIONS

Personalized Italian Leather Cigar Case By: SKLeatherStore found on line (Nov. 14, 2022) https://www.etsy.com/in-en/listing/908319465/personalized-italian-leather-cigar-case?ga_order= (Oct. 26, 2021).*

* cited by examiner

Primary Examiner — Rebecca Tsehaye
(74) *Attorney, Agent, or Firm* — Overhauser Law Offices, LLC

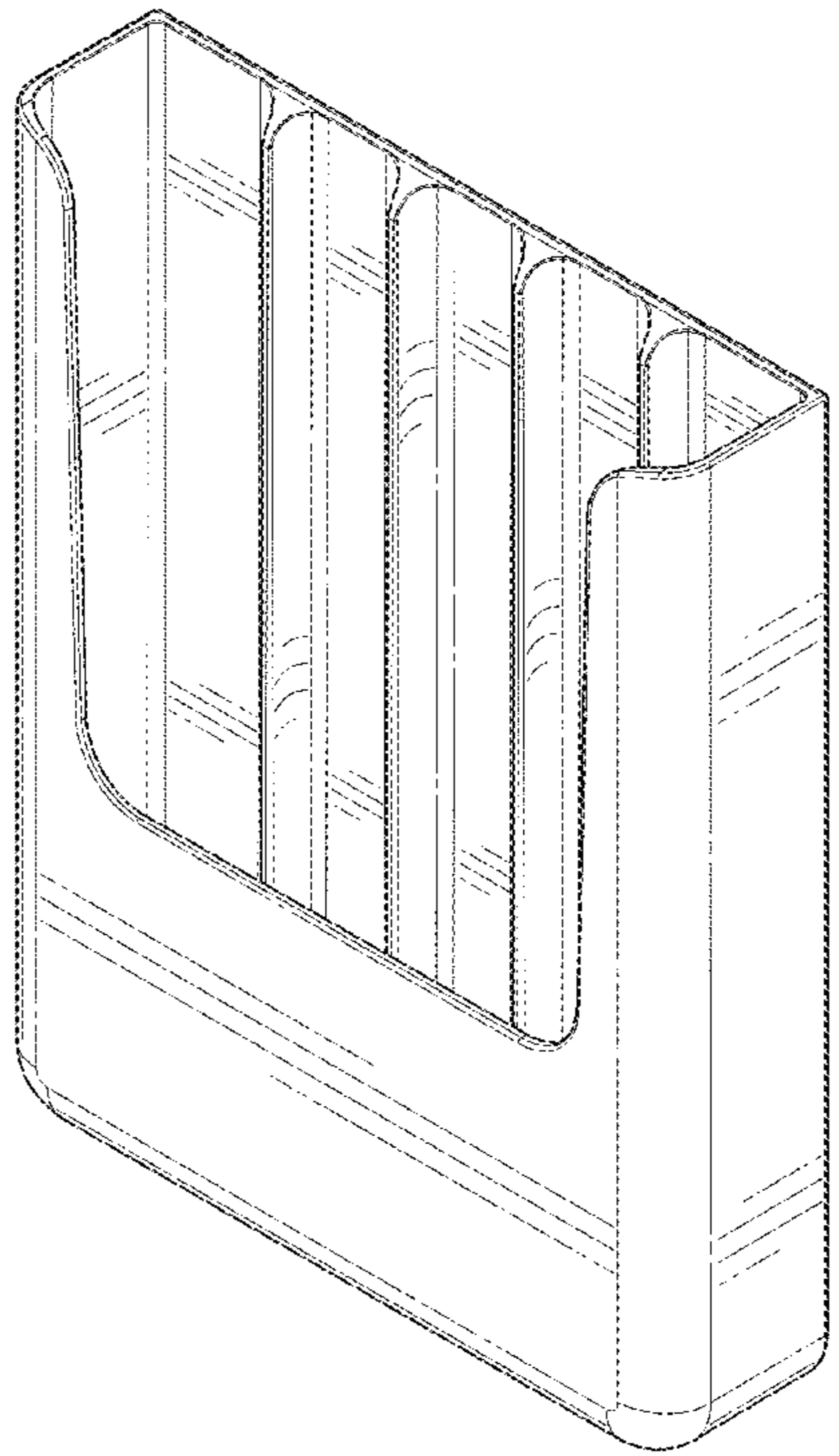
CLAIM

(57) The ornamental design for a cigar holder, as shown and described.

DESCRIPTION

FIG. 1 is a front perspective view of a cigar holder, illustrating our new design;
FIG. 2 is a front view thereof;
FIG. 3 is a rear view thereof;
FIG. 4 is a left side view thereof;
FIG. 5 is a right side view thereof;
FIG. 6 is a top view thereof; and,
FIG. 7 is a bottom view thereof.
The broken lines in the drawings are for illustrative purposes only and form no part of the claimed design.

1 Claim, 7 Drawing Sheets



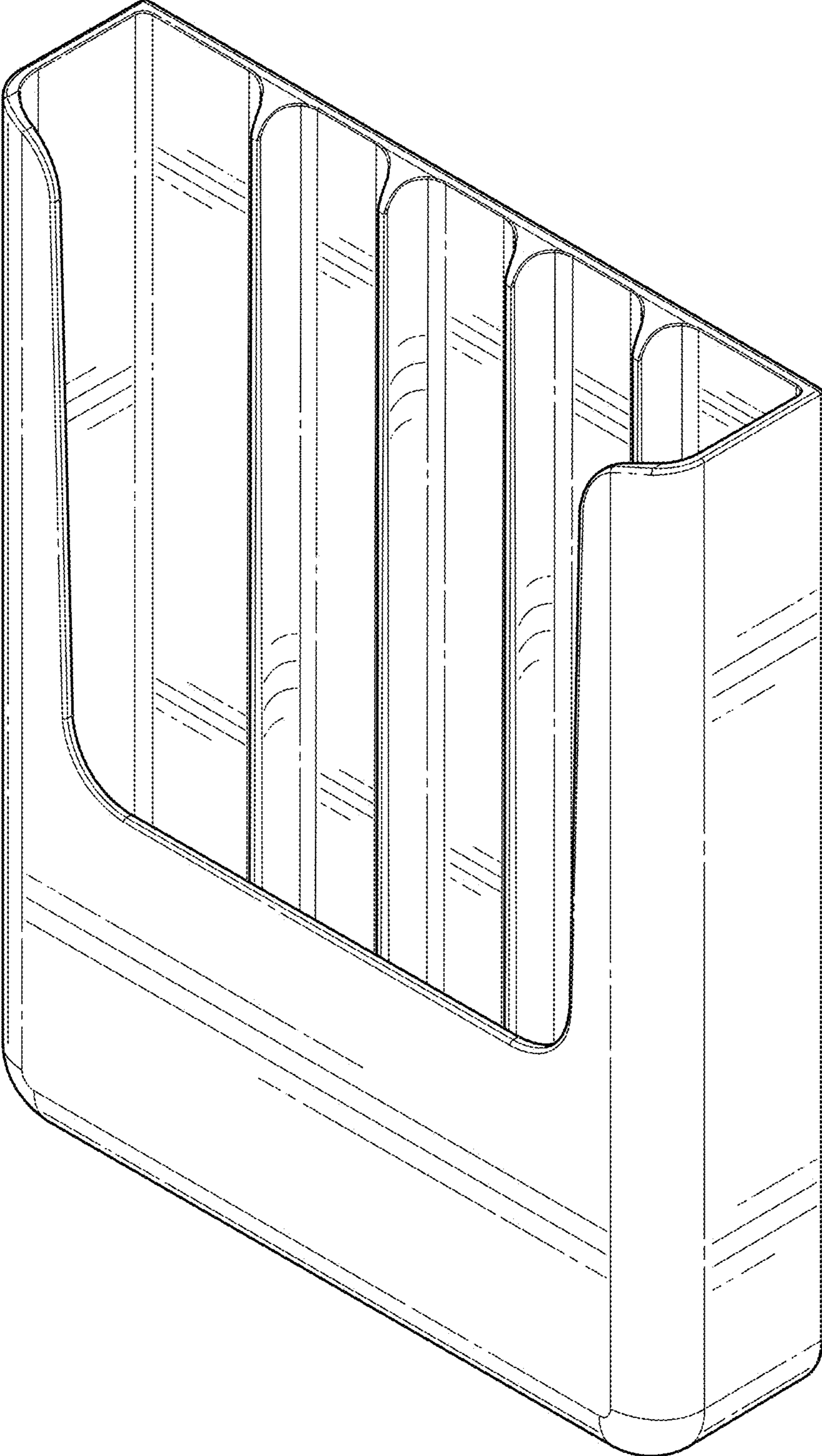


FIG. 1

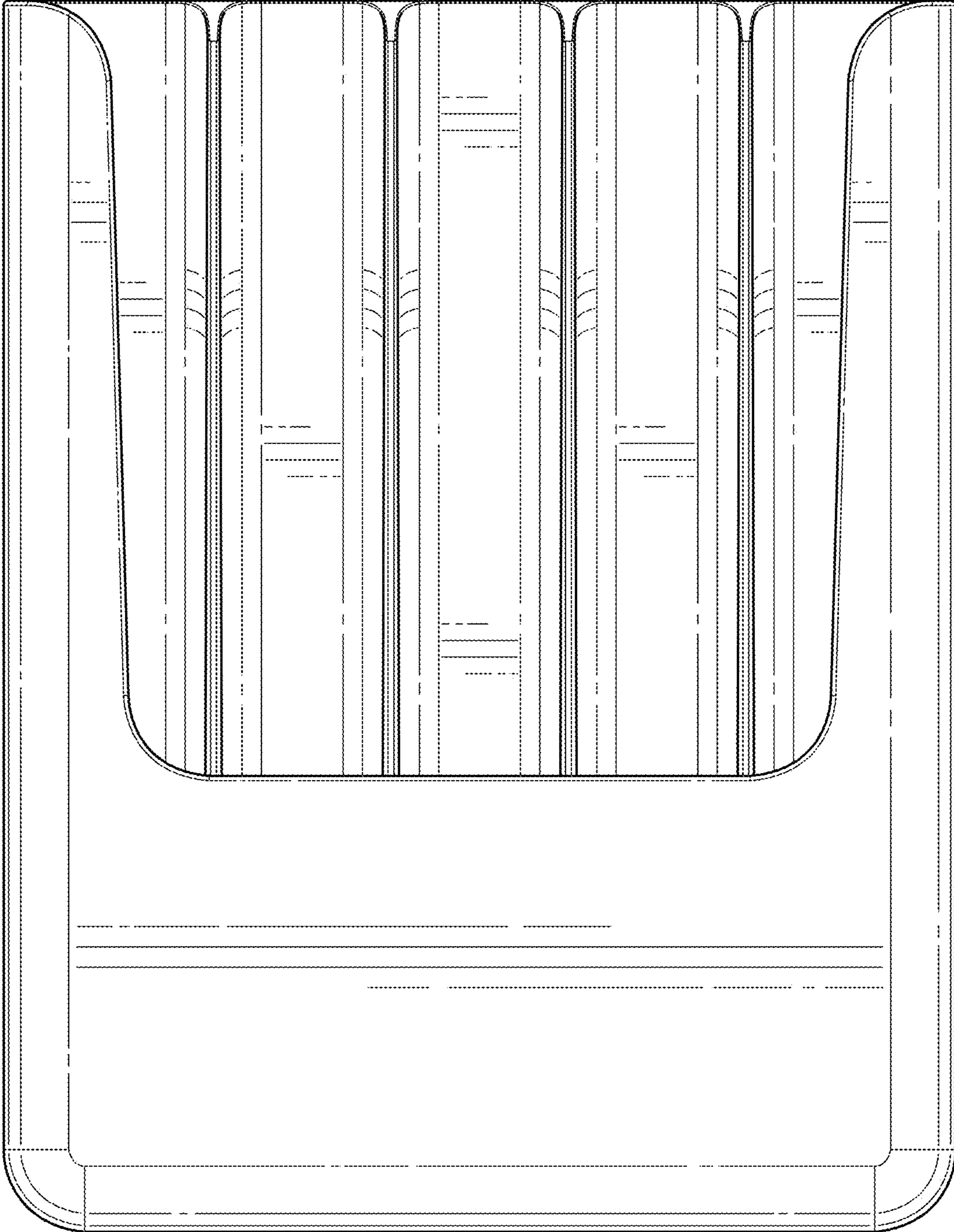


FIG. 2

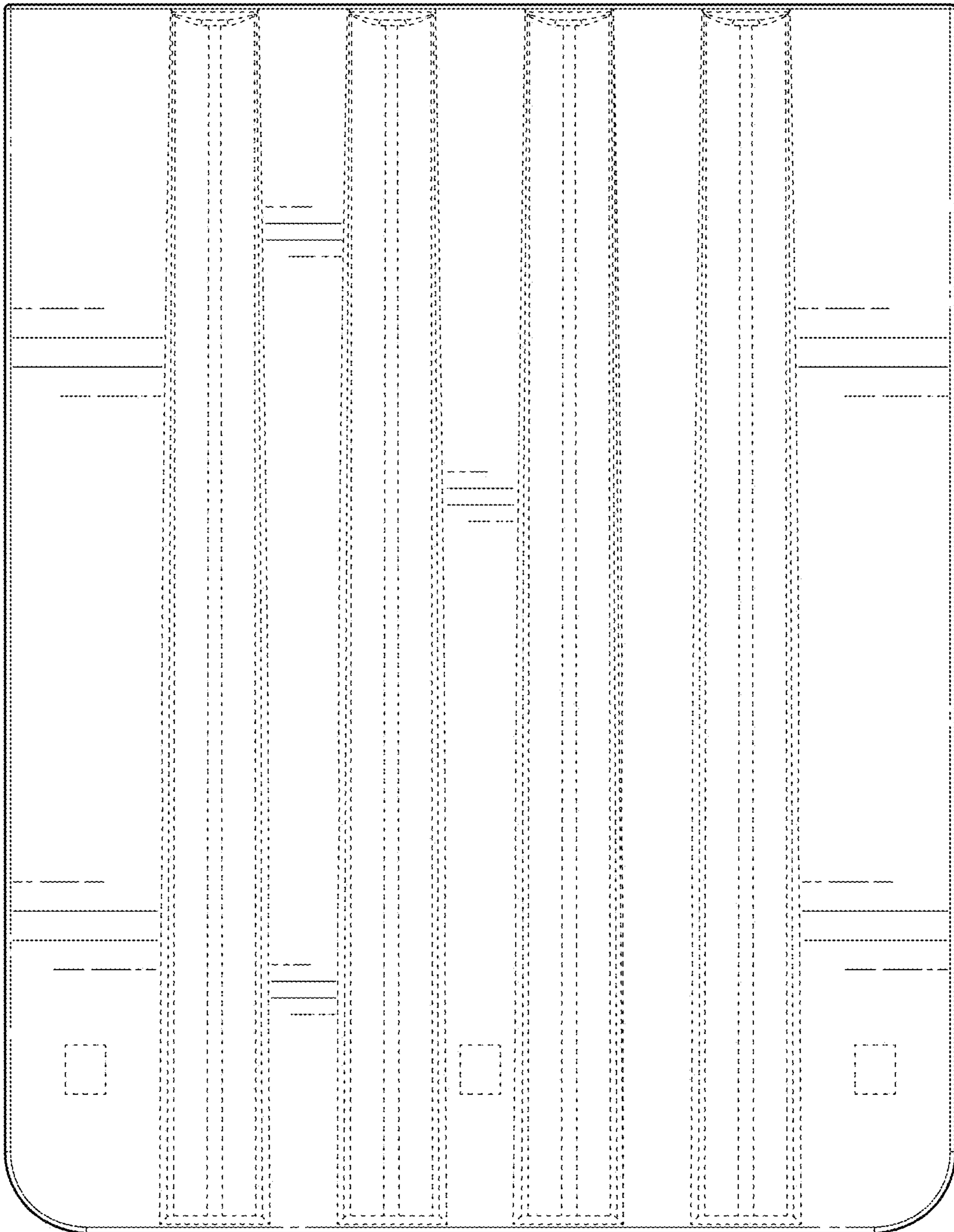


FIG. 3

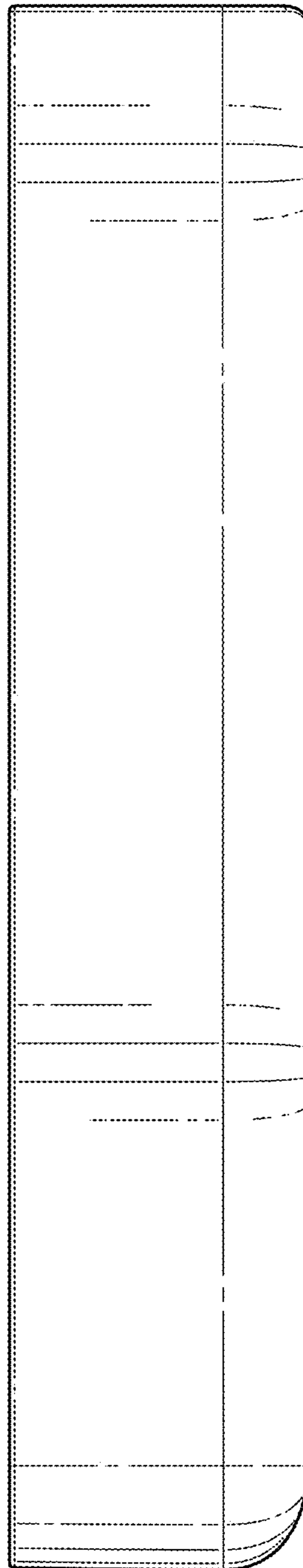


FIG. 4

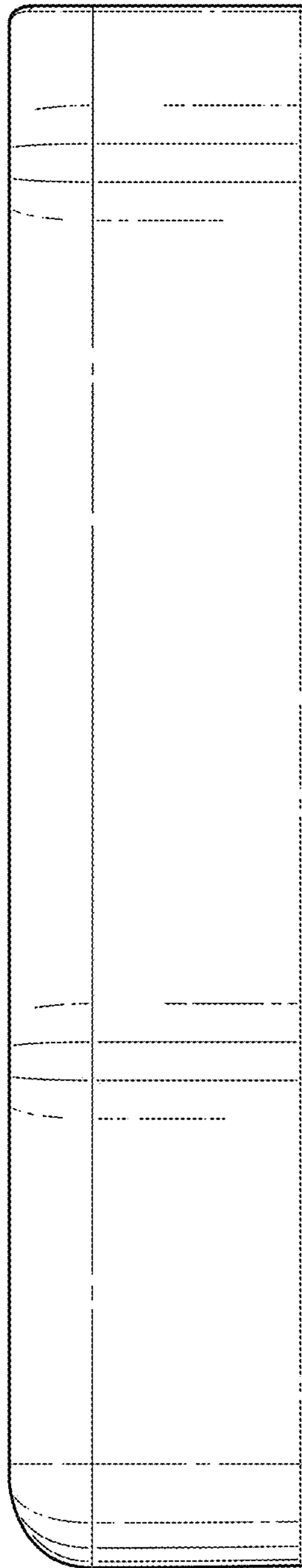


FIG. 5

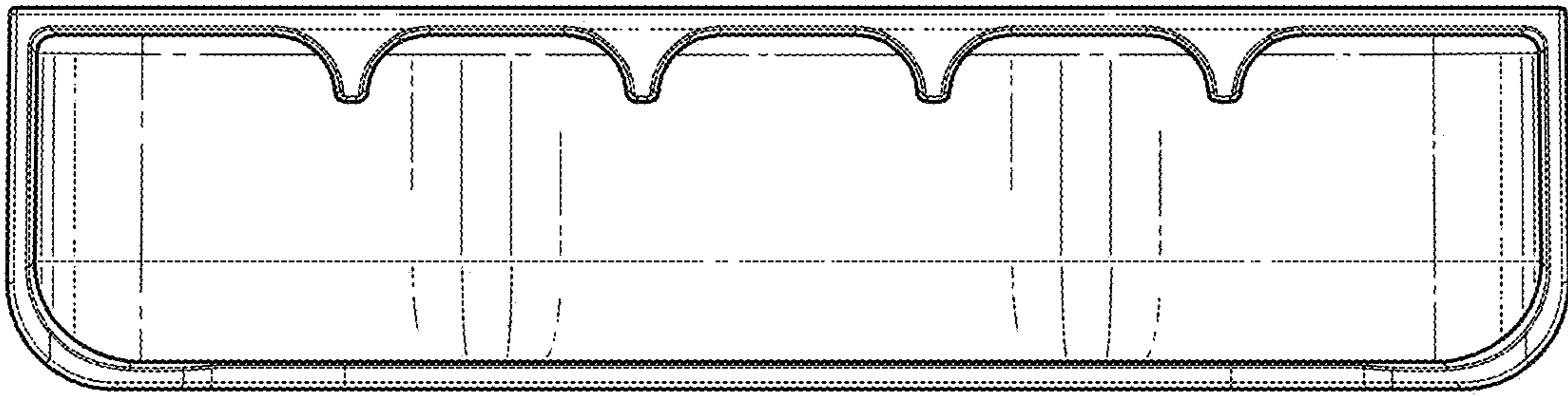


FIG. 6

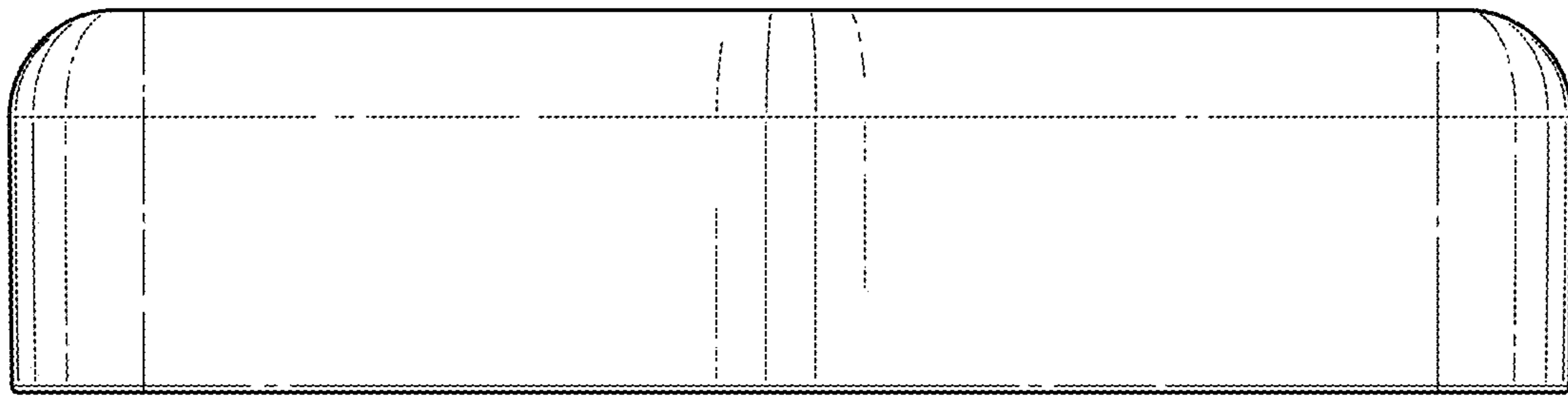


FIG. 7