



US00D985185S

(12) **United States Design Patent** (10) **Patent No.:** **US D985,185 S**
Hu (45) **Date of Patent:** **** May 2, 2023**

(54) **ASHTRAY WITH DRAWER**

(71) Applicant: **Sanshou Hu**, Suzhou (CN)

(72) Inventor: **Sanshou Hu**, Suzhou (CN)

(**) Term: **15 Years**

(21) Appl. No.: **29/885,218**

(22) Filed: **Feb. 22, 2023**

(51) **LOC (14) Cl.** **27-03**

(52) **U.S. Cl.**
USPC **D27/102**

(58) **Field of Classification Search**
USPC D27/102, 106, 108–111, 125–127, 137,
D27/138, 187

CPC A24F 19/00; A24F 19/105; A24F 19/0014;
A24F 19/0028; A24F 19/0035

See application file for complete search history.

(56) **References Cited**

U.S. PATENT DOCUMENTS

D243,142 S *	1/1977	Chmela	D27/126
D263,784 S *	4/1982	Butler	D27/126
D357,765 S *	4/1995	Roden	D27/102
D387,473 S *	12/1997	Angelakos	D27/135
D444,683 S *	7/2001	Corrion	D12/420
D499,029 S *	11/2004	Maarberg	D10/46.3
D592,911 S *	5/2009	Buchanan	D7/701
D753,337 S	4/2016	Blackledge		
D777,527 S *	1/2017	Landphere	D12/419
D777,528 S *	1/2017	Landphere	D12/419
D840,249 S *	2/2019	Payne	D9/760
D856,762 S *	8/2019	Dangler	D27/126
D856,763 S *	8/2019	Dangler	D7/701
D856,764 S *	8/2019	Dangler	D27/126
D862,794 S *	10/2019	Wolk	D27/187

D888,513 S *	6/2020	Dangler	D27/126
11,013,331 B2 *	5/2021	Beaucage	A47C 1/14
D922,677 S *	6/2021	Ziering	D27/183
D922,679 S *	6/2021	Ziering	D27/183
2011/0036362 A1 *	2/2011	Chiu	A24F 19/14 131/240.1

OTHER PUBLICATIONS

Cigar Ashtray Coaster Whiskey Glass Tray By: Scotte found on Amazon (Mar. 7, 2023) https://www.amazon.com/Scotte-Ashtray-Coaster-Ashtrays-Accessories/dp/B0B17WD5WF/ref=sr_1_2?crd=2BG3UOAMSS4UU&keywords= (Jun. 25, 2022).*

* cited by examiner

Primary Examiner — Rebecca Tsehaye

(57) **CLAIM**

The ornamental design for an ashtray with drawer, as shown and described.

DESCRIPTION

FIG. 1 is a top perspective view of an ashtray with drawer, showing my new design;

FIG. 2 is a bottom perspective view thereof;

FIG. 3 is a front view thereof;

FIG. 4 is a rear view thereof;

FIG. 5 is a left side view thereof;

FIG. 6 is a right side view thereof;

FIG. 7 is a top view thereof;

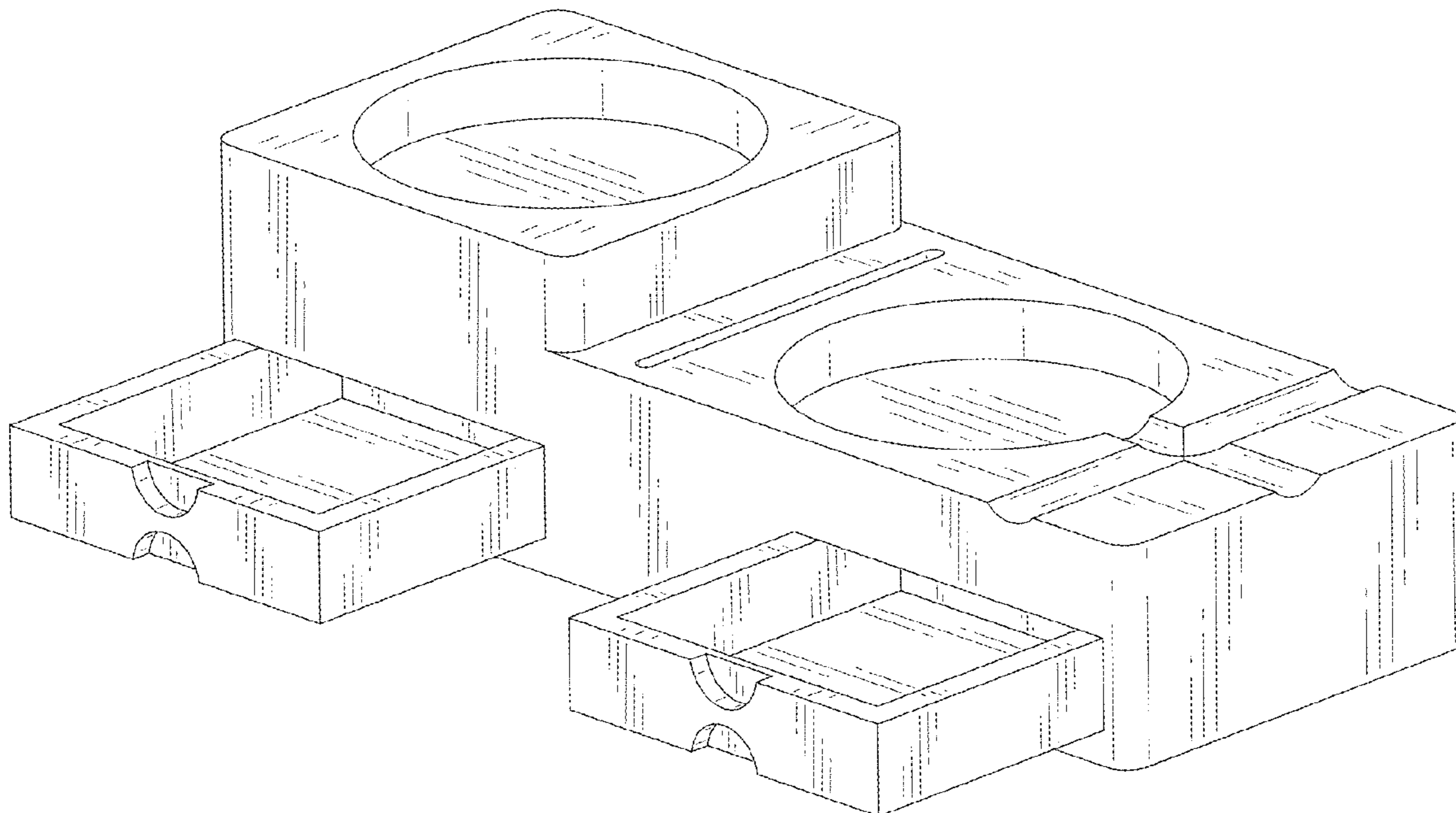
FIG. 8 is a bottom view thereof;

FIG. 9 is an open state view thereof; and,

FIG. 10 is a closed state view thereof.

The broken lines in the drawings illustrate the portions of the ashtray with drawer, which form no part of the claimed design.

1 Claim, 10 Drawing Sheets



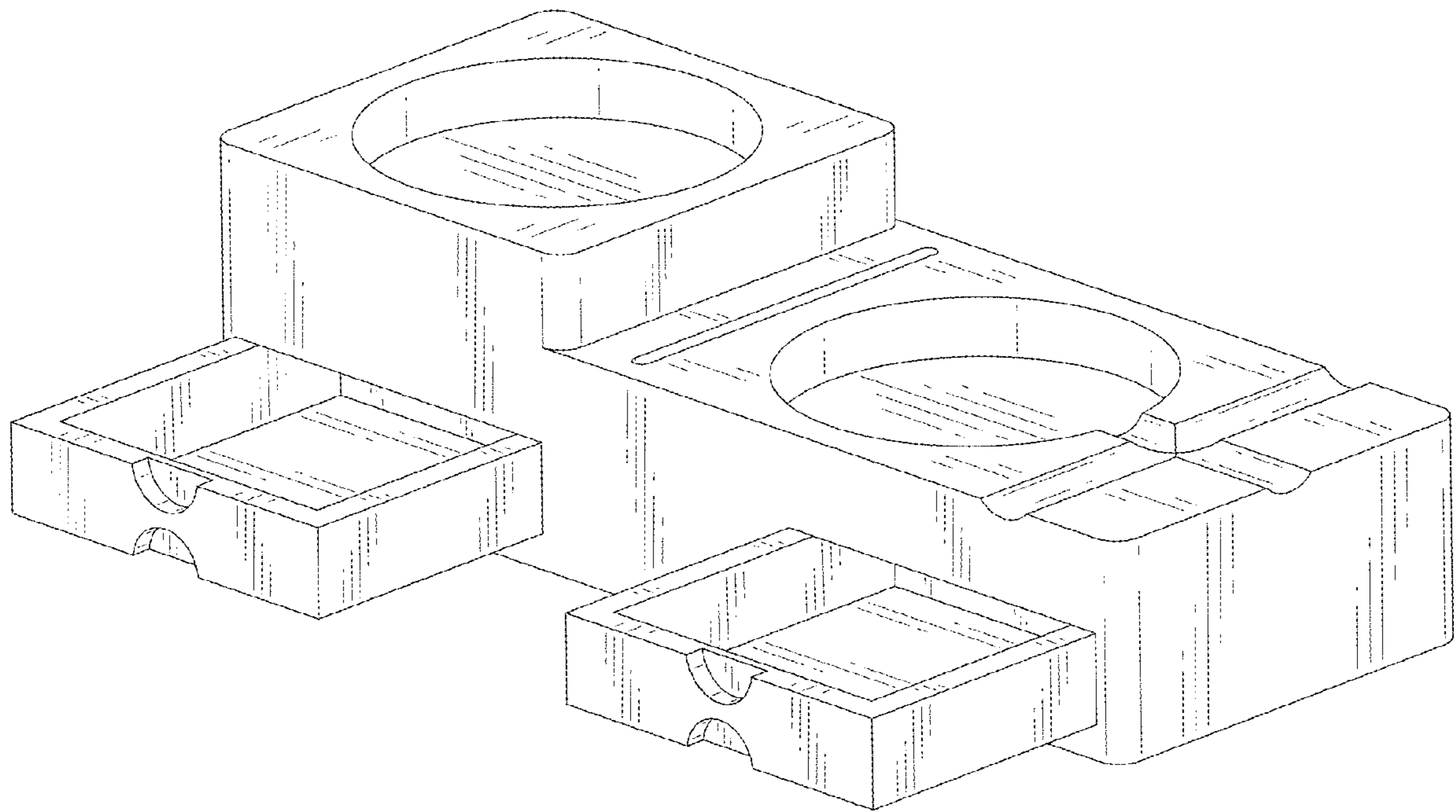


FIG. 1

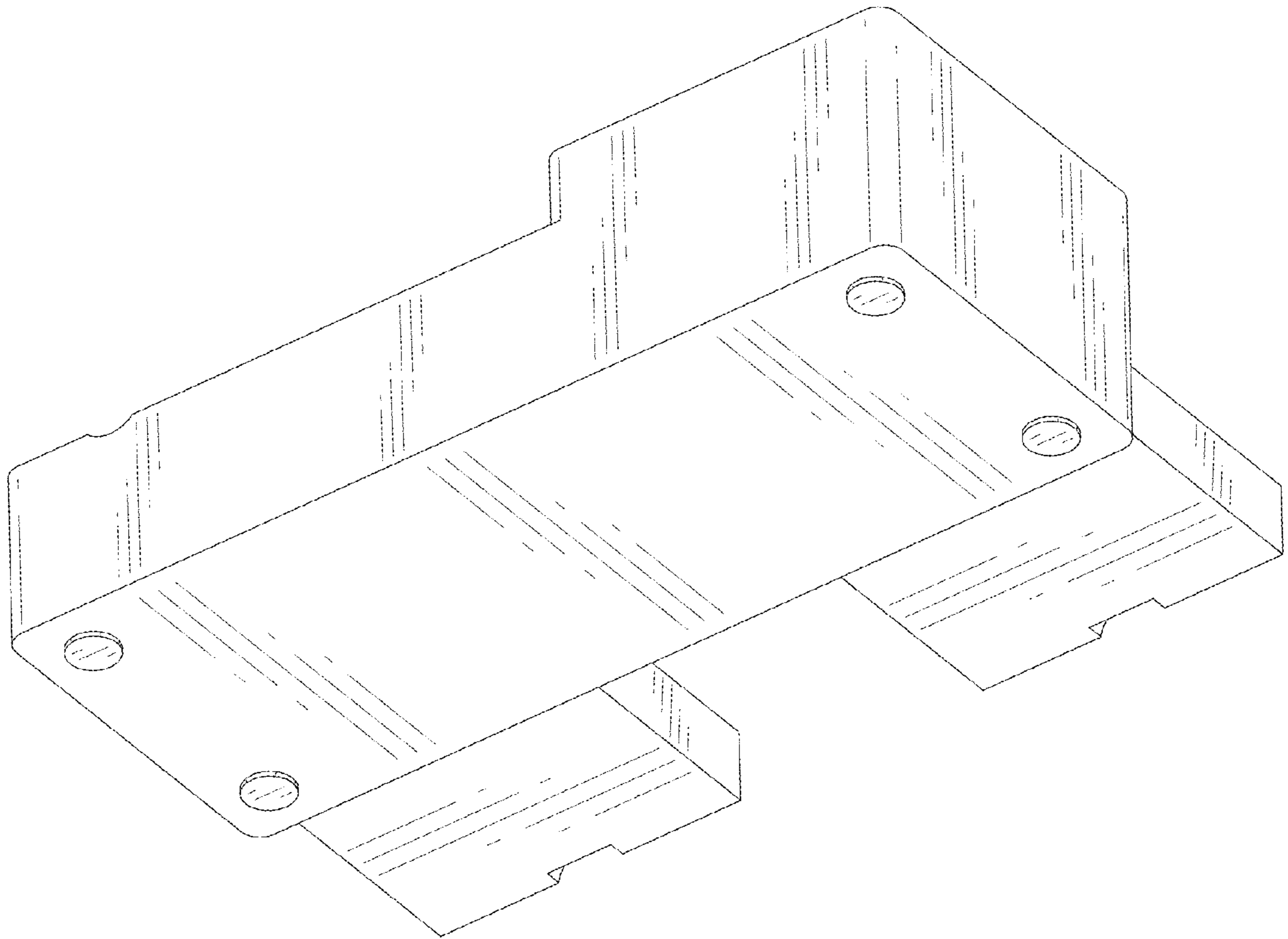


FIG. 2

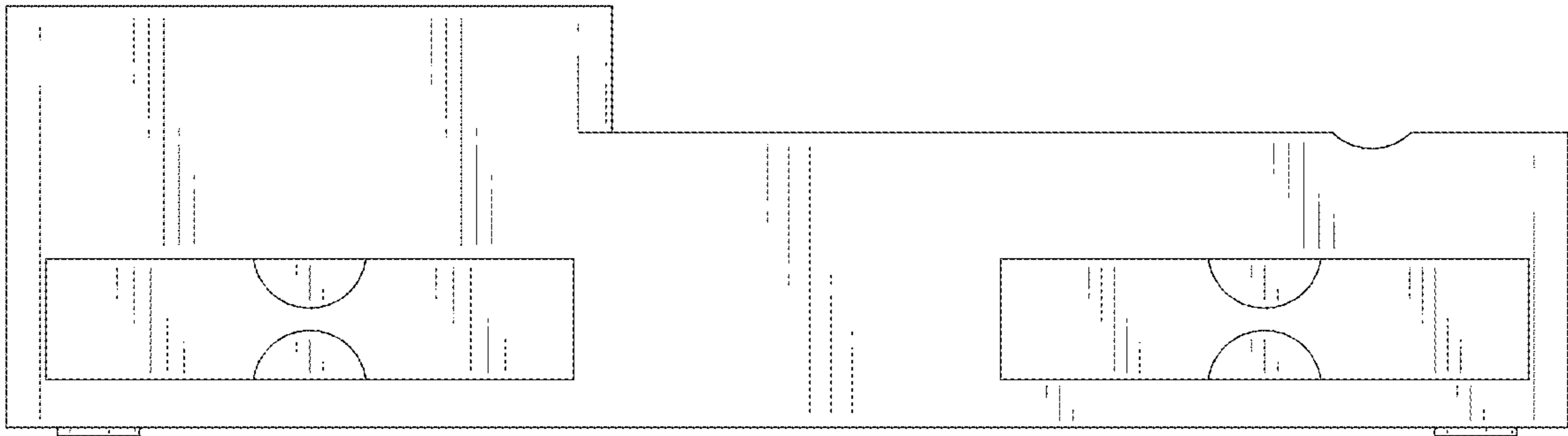


FIG. 3

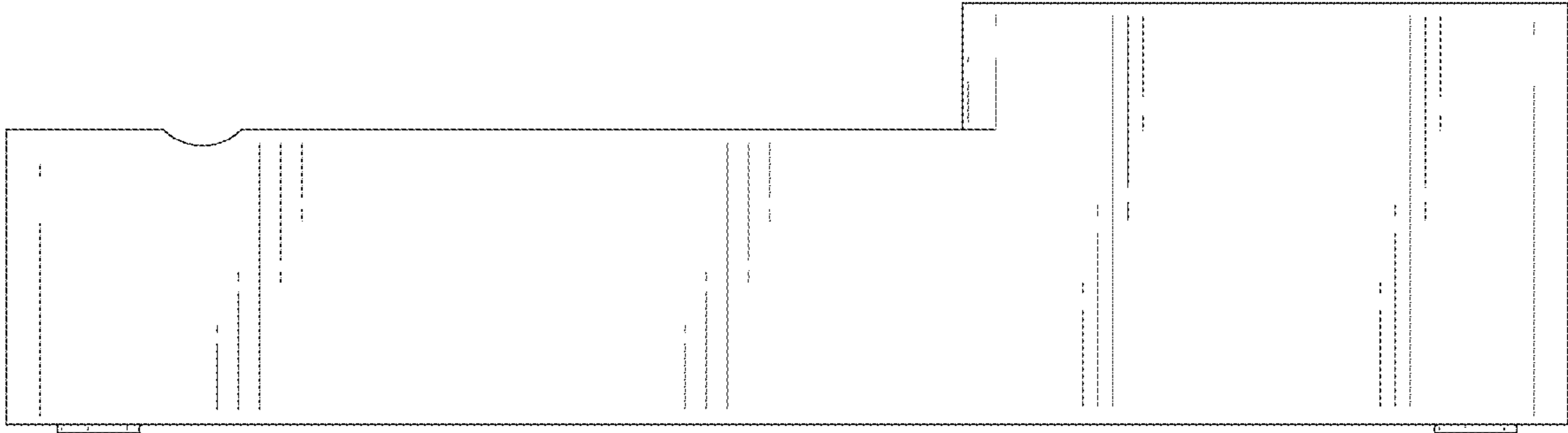


FIG. 4

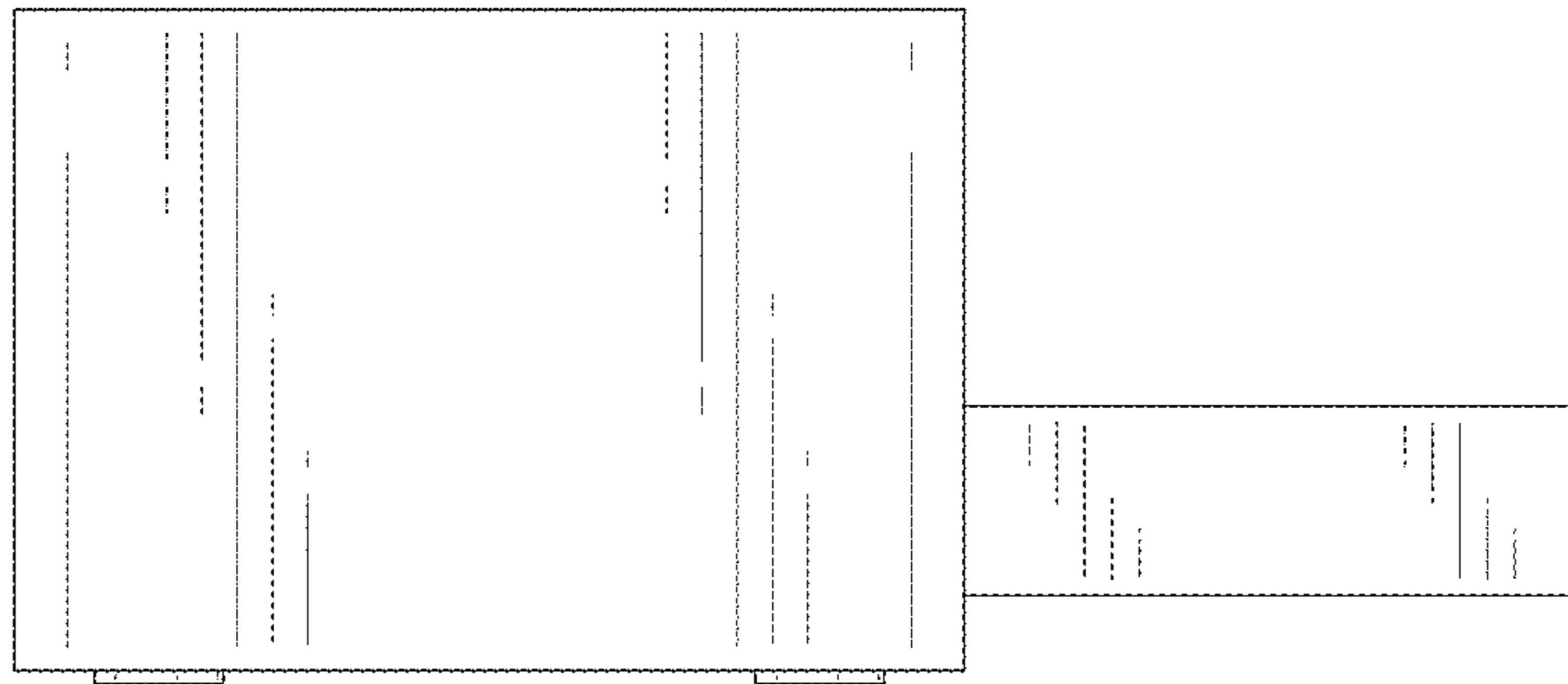


FIG. 5

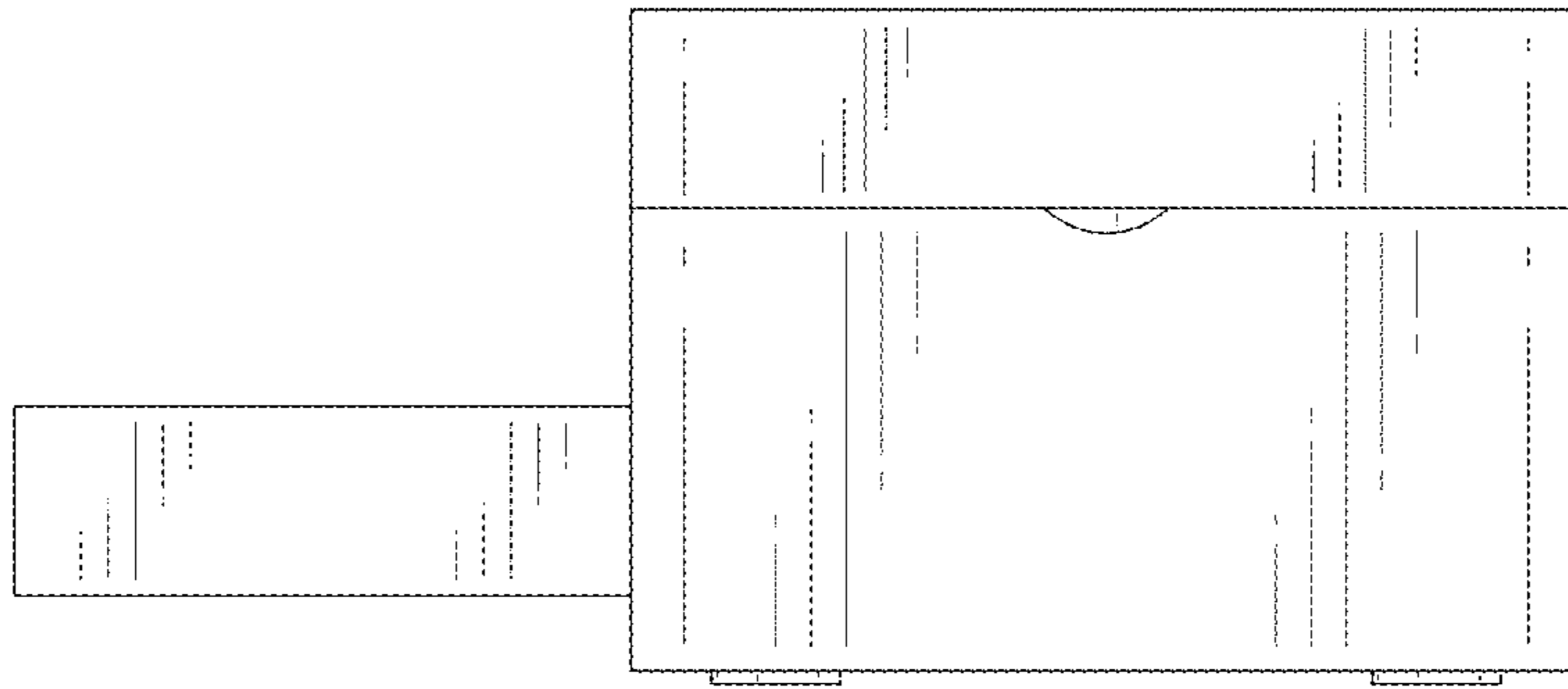


FIG. 6

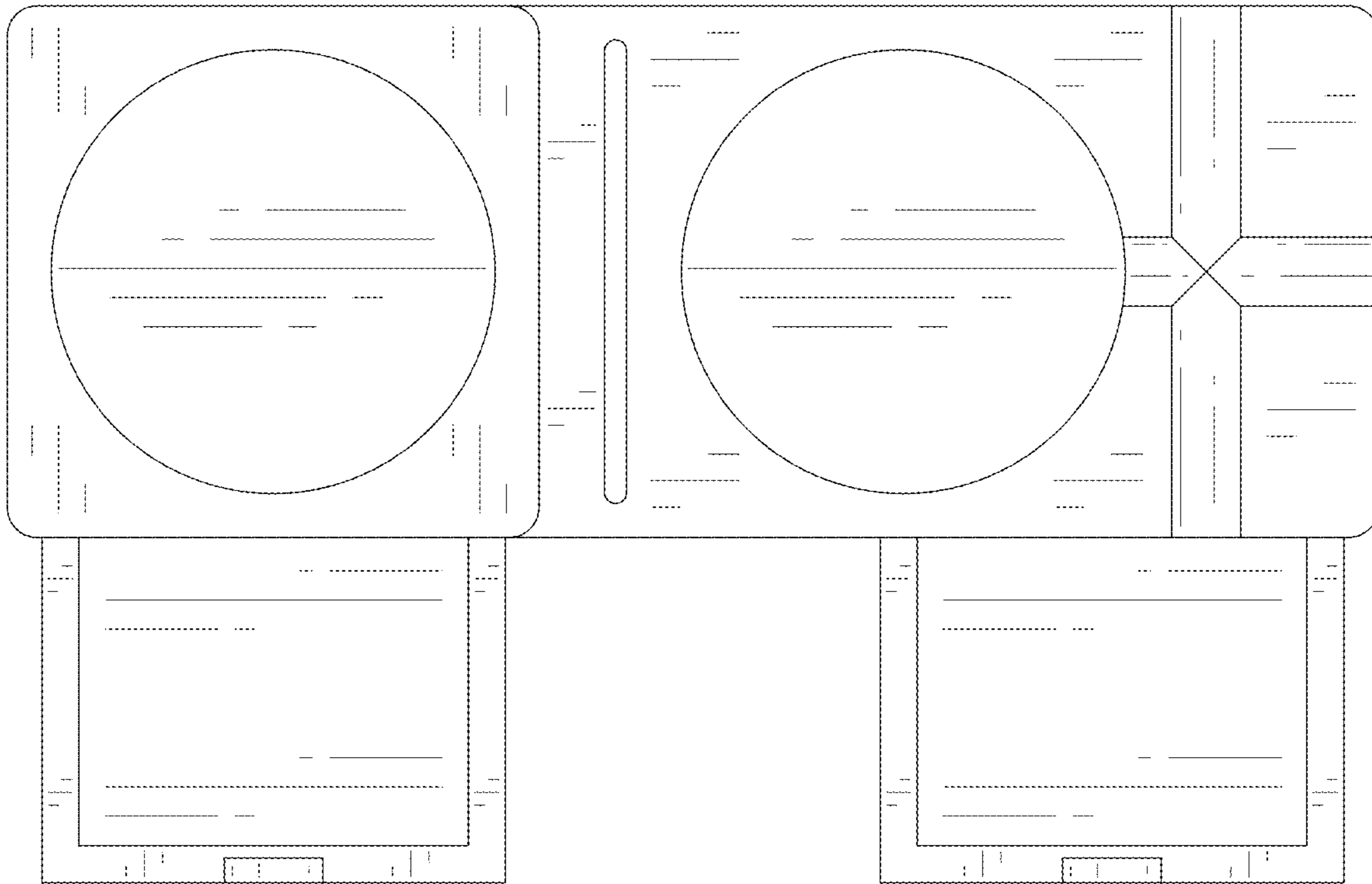


FIG. 7

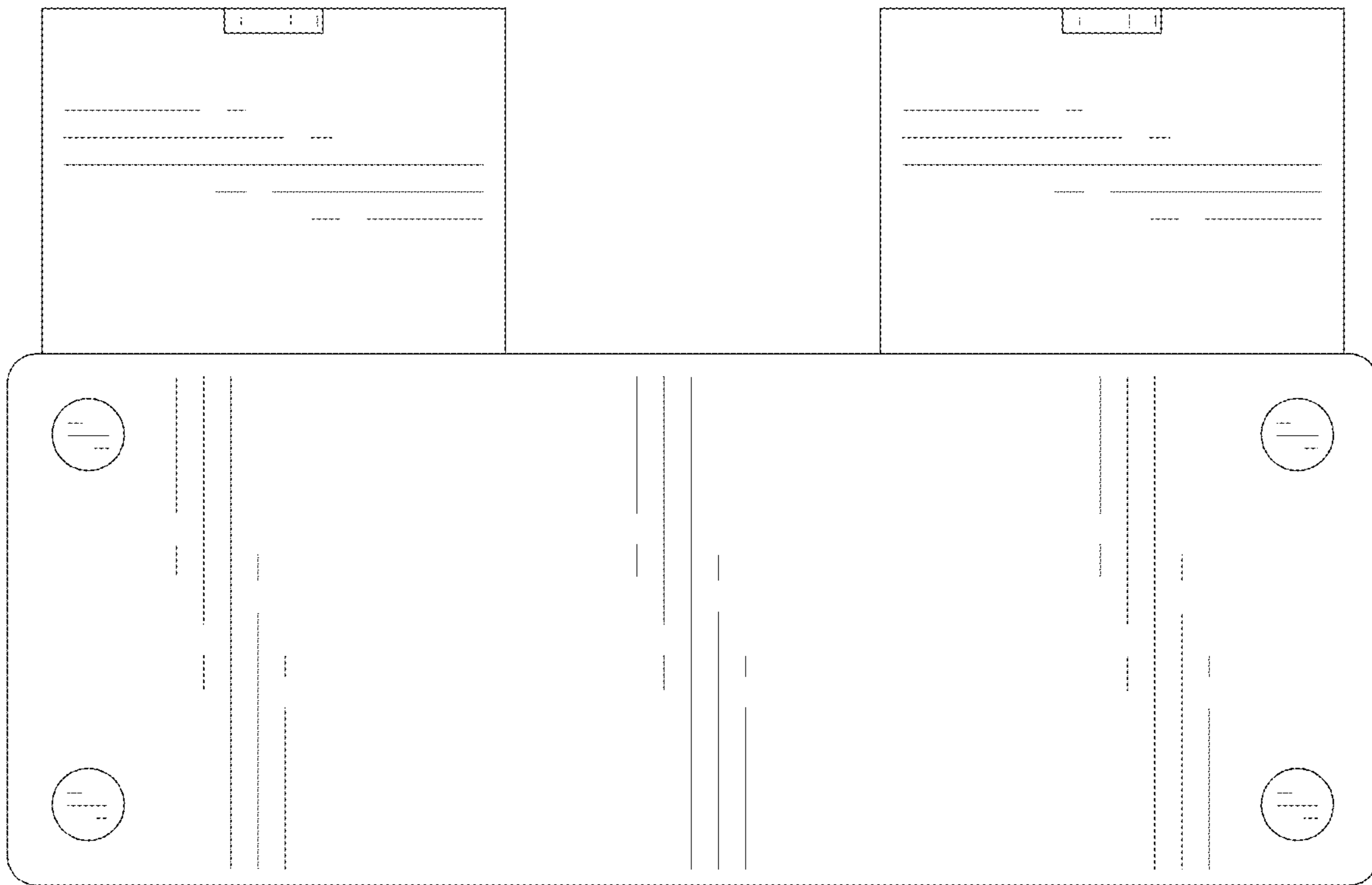


FIG. 8

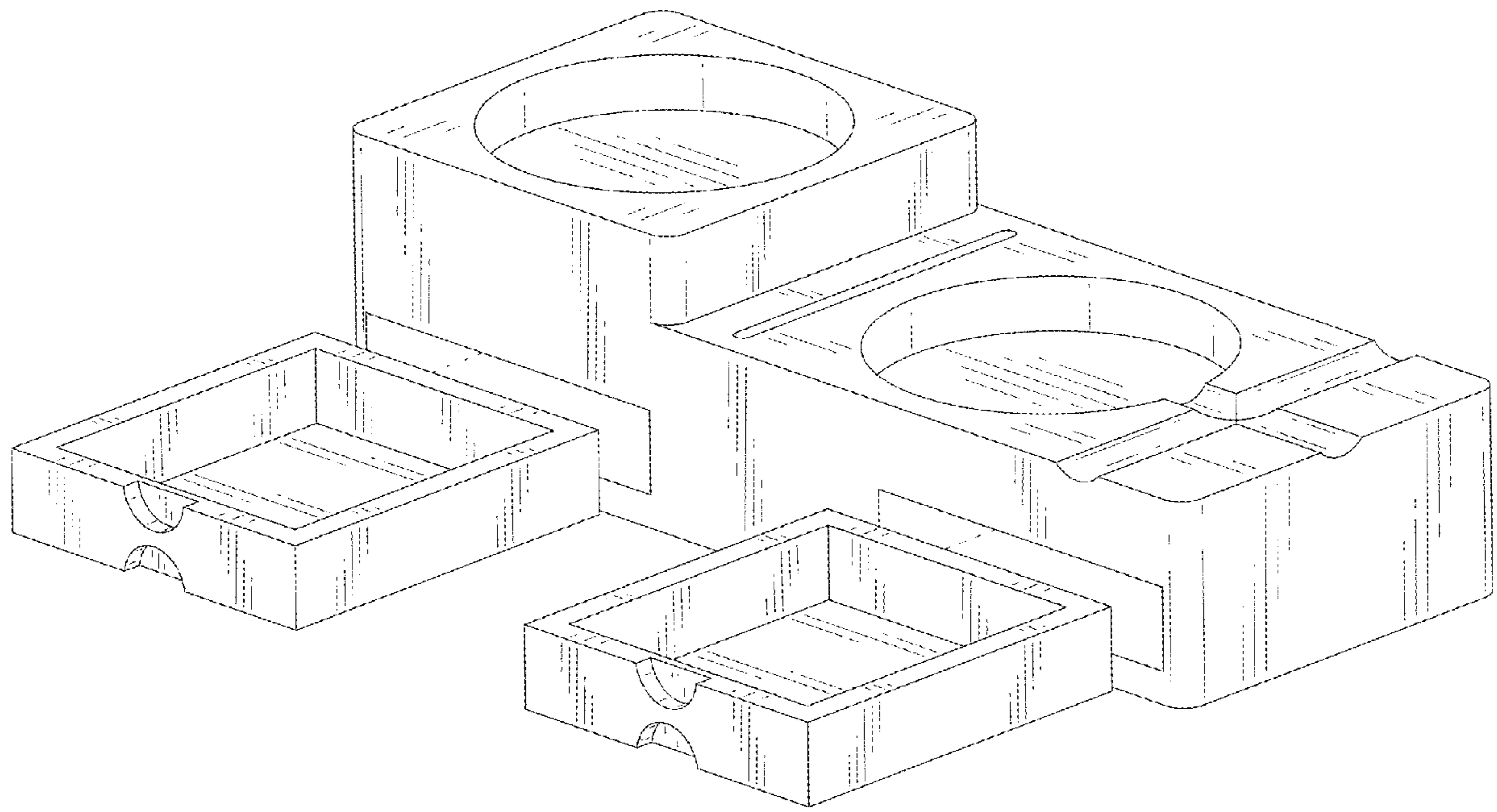


FIG. 9

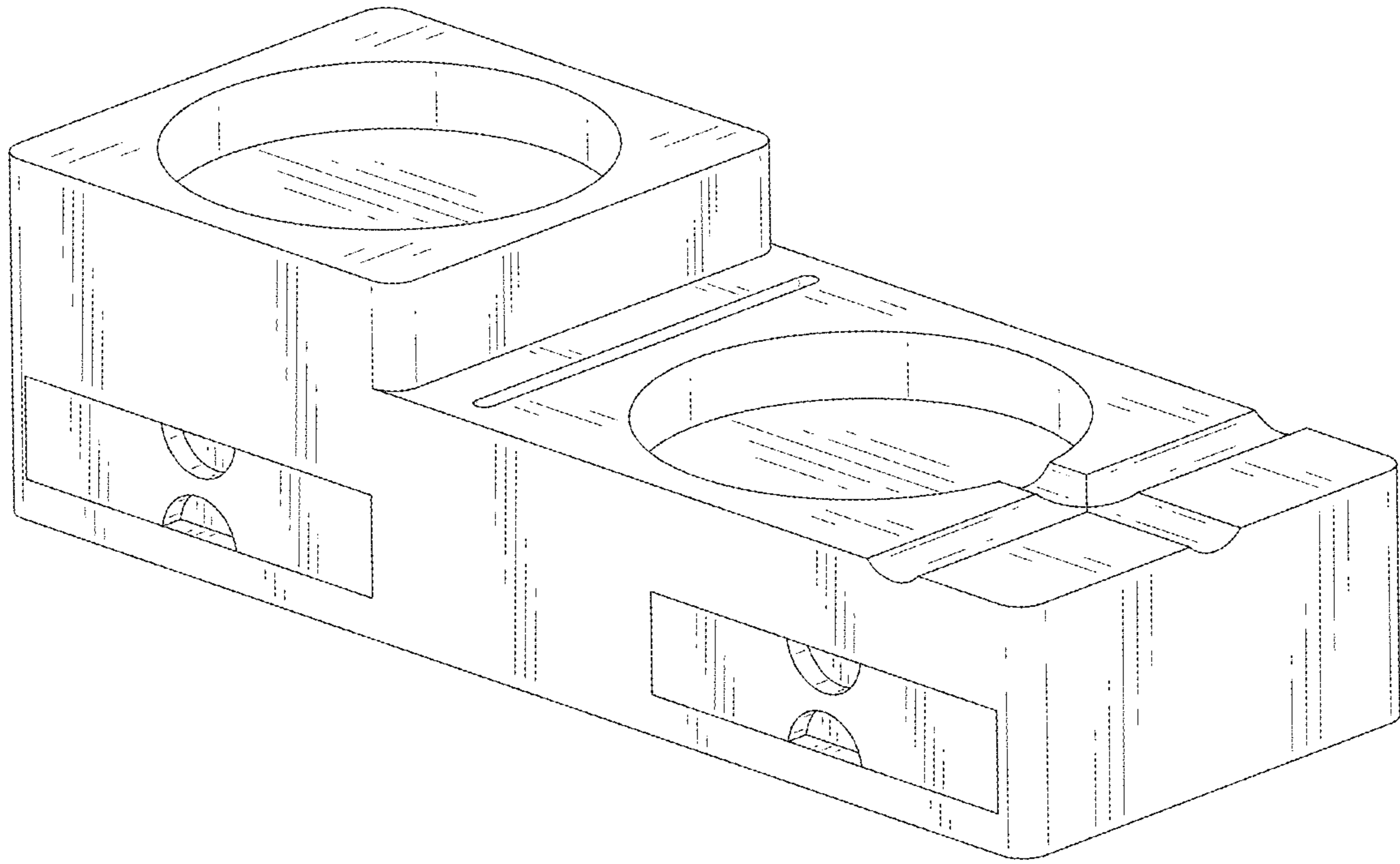


FIG. 10