



US00D985182S

(12) **United States Design Patent**  
**Liu et al.**

(10) **Patent No.:** **US D985,182 S**  
(45) **Date of Patent:** **\*\* May 2, 2023**

- (54) **RING UNIT FOR FLASHLIGHT**
- (71) Applicant: **XENO Company Shangluo Limited**,  
Shaanxi (CN)
- (72) Inventors: **Jun Liu**, Shaanxi (CN); **Wei Xiong**,  
Shaanxi (CN)
- (73) Assignee: **XENO Company Shangluo Limited**,  
Shaanxi (CN)
- (\*\*) Term: **15 Years**
- (21) Appl. No.: **29/689,425**
- (22) Filed: **Apr. 30, 2019**
- (30) **Foreign Application Priority Data**  
Nov. 23, 2018 (CN) ..... 201830670086.8
- (51) **LOC (14) Cl.** ..... **26-05**
- (52) **U.S. Cl.**  
USPC ..... **D26/138**; D26/49
- (58) **Field of Classification Search**  
USPC .... D26/37, 38, 40-42, 46, 49, 50, 139, 140,  
D26/141, 142, 152  
CPC ..... F21S 2/00; F21S 4/00; F21S 4/003; F21S  
4/005; F21S 4/006; F21S 4/007; F21S  
4/008; F21S 6/00; F21S 8/00; F21S  
8/024; F21S 8/026; F21S 8/031; F21S  
8/033; F21S 8/035-037; F21S 8/04; F21S  
8/043; F21S 8/063  
See application file for complete search history.

- (56) **References Cited**  
U.S. PATENT DOCUMENTS  
D581,586 S \* 11/2008 Conroy ..... D26/138  
D681,858 S \* 5/2013 Sharrah ..... D26/45  
D688,402 S \* 8/2013 Roshak ..... D26/49  
D716,984 S \* 11/2014 Inskeep ..... D26/49

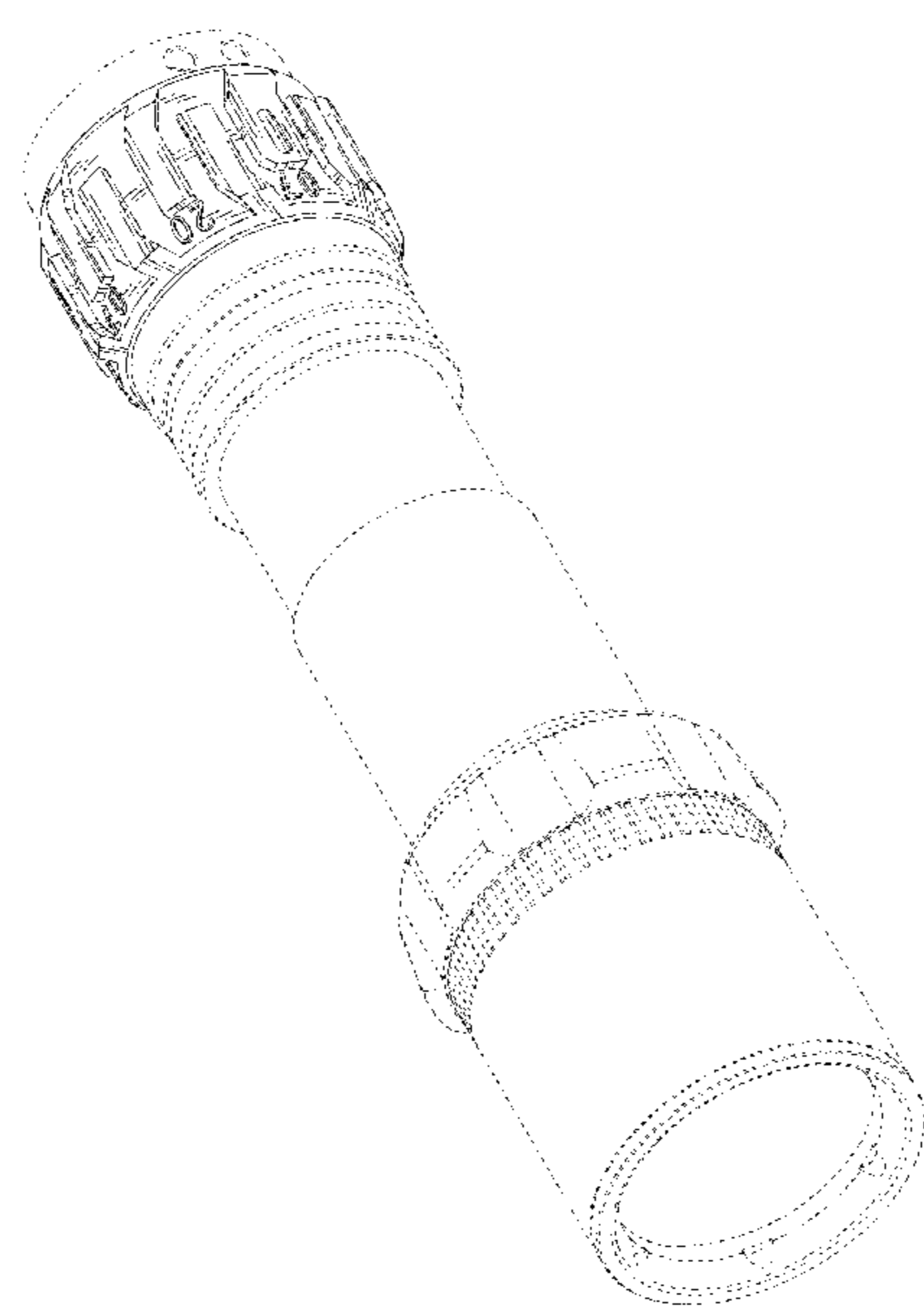
D818,185 S *	5/2018	Wilson	.....	D26/138
D854,209 S *	7/2019	Liu	.....	D26/49
D861,217 S *	9/2019	Huang	.....	D26/49
D890,409 S *	7/2020	Park	.....	D26/138
D893,091 S *	8/2020	Christensen	.....	D26/49
D900,367 S *	10/2020	Petrucci	.....	D26/49
D900,369 S *	10/2020	Liu	.....	D26/49
D901,753 S *	11/2020	Christensen	.....	D26/49
D905,805 S *	12/2020	Muir	.....	D21/694
D924,468 S *	7/2021	Huang	.....	D26/138
D931,233 S *	9/2021	Pan	.....	D22/108
D971,471 S *	11/2022	Landt	.....	D26/49
D972,755 S *	12/2022	Zhao	.....	D26/49
D972,756 S *	12/2022	Zhou	.....	D26/49

\* cited by examiner  
*Primary Examiner* — Natasha Vujcic

(57) **CLAIM**  
The ornamental design for a ring unit for flashlight, as shown and described.

**DESCRIPTION**  
FIG. 1 is a front elevational view of a ring unit for flashlight showing our new design;  
FIG. 2 is a rear elevational view thereof;  
FIG. 3 is a left side view thereof;  
FIG. 4 is a right side view thereof;  
FIG. 5 is a top plan view thereof;  
FIG. 6 is a bottom plan view thereof;  
FIG. 7 is a top, front and right side perspective view thereof;  
FIG. 8 is a bottom, front and left side perspective view thereof;  
FIG. 9 is a top, rear and left side perspective view thereof;  
FIG. 10 is a bottom, rear and right side perspective view thereof; and,  
FIG. 11 is a top, front and right side perspective view showing the ring unit for flashlight in a use state.  
The broken lines in the drawings illustrate environmental subject matters that form no part of the claimed design.

**1 Claim, 11 Drawing Sheets**



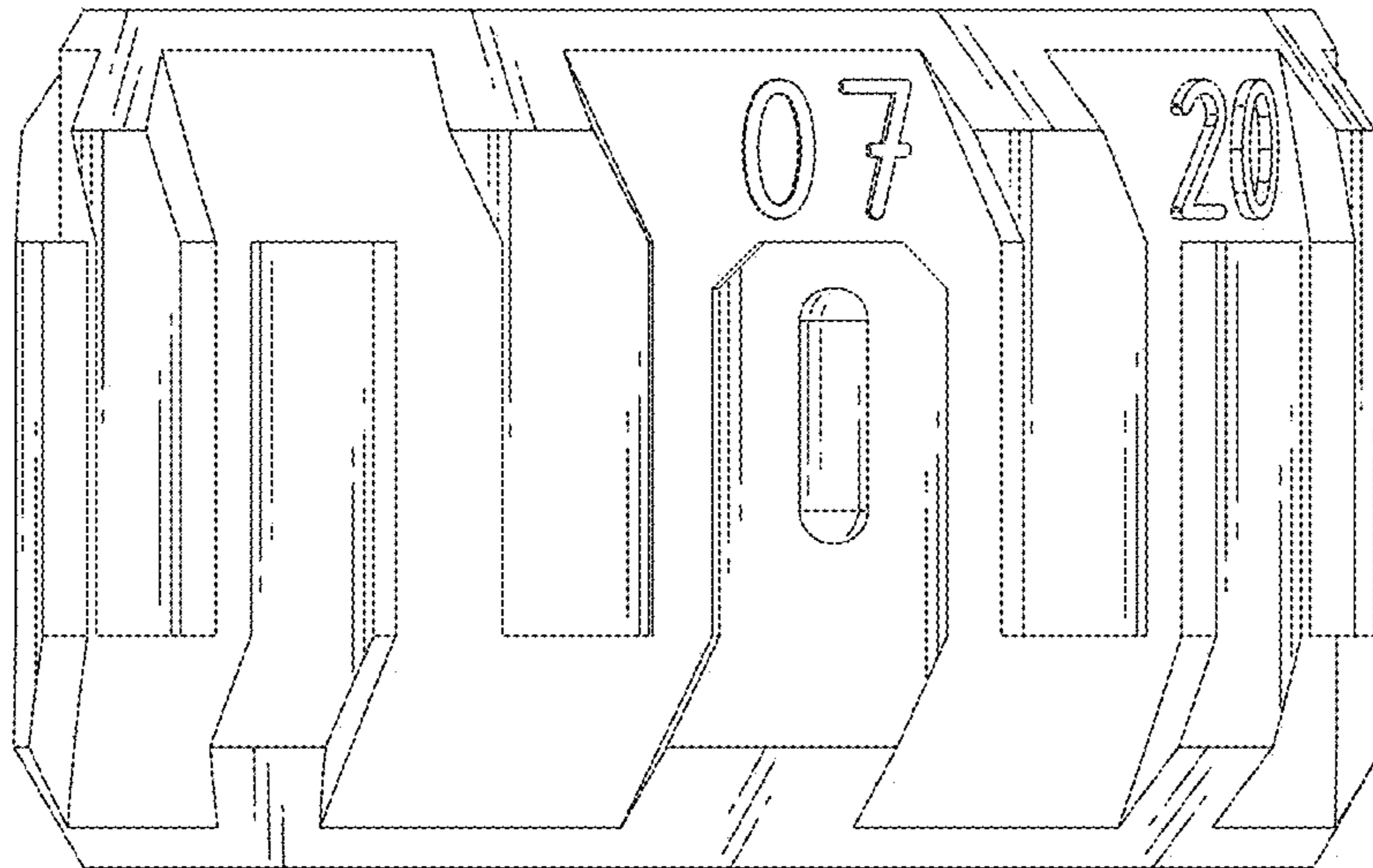


Fig. 1

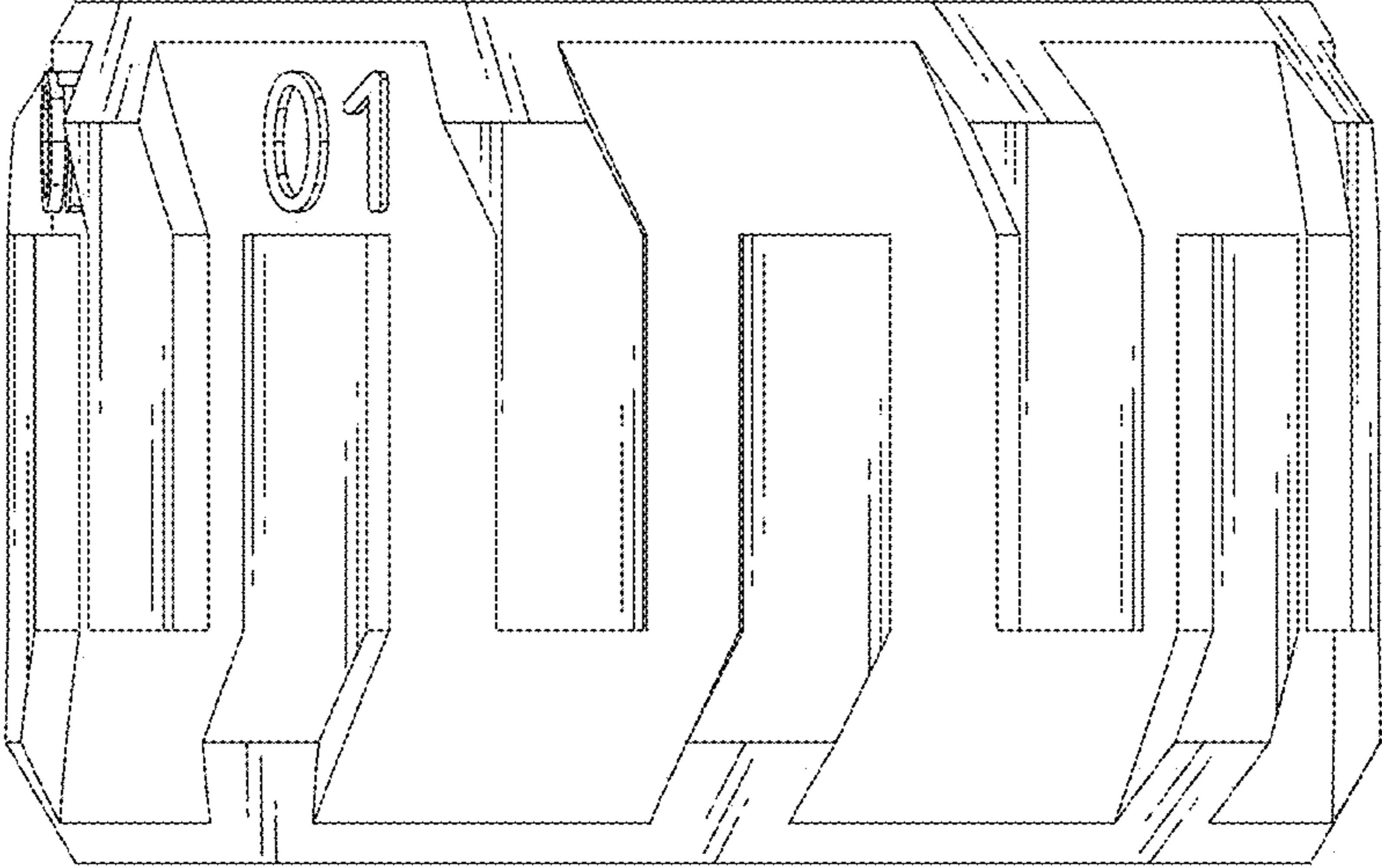


Fig. 2

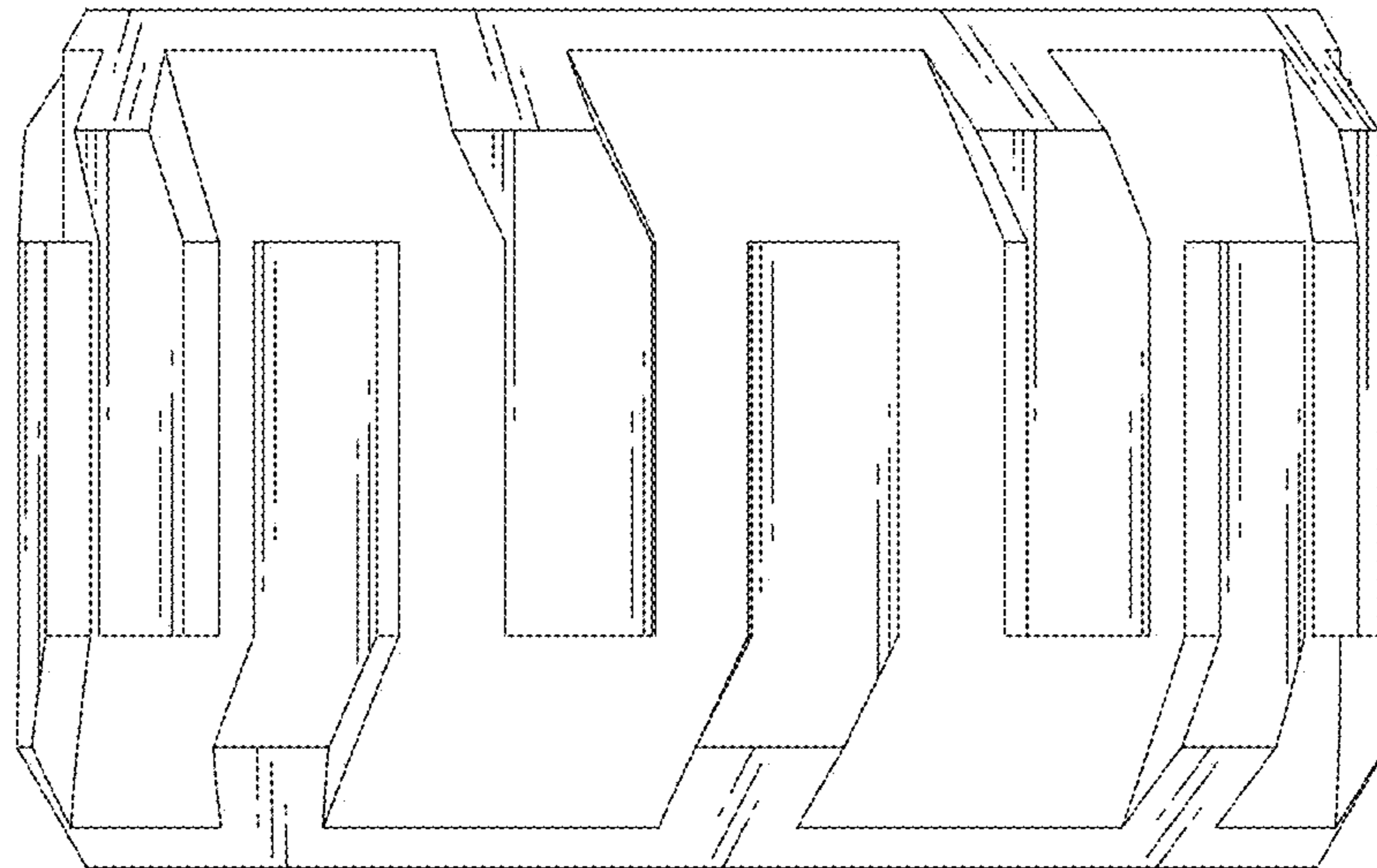


Fig.3

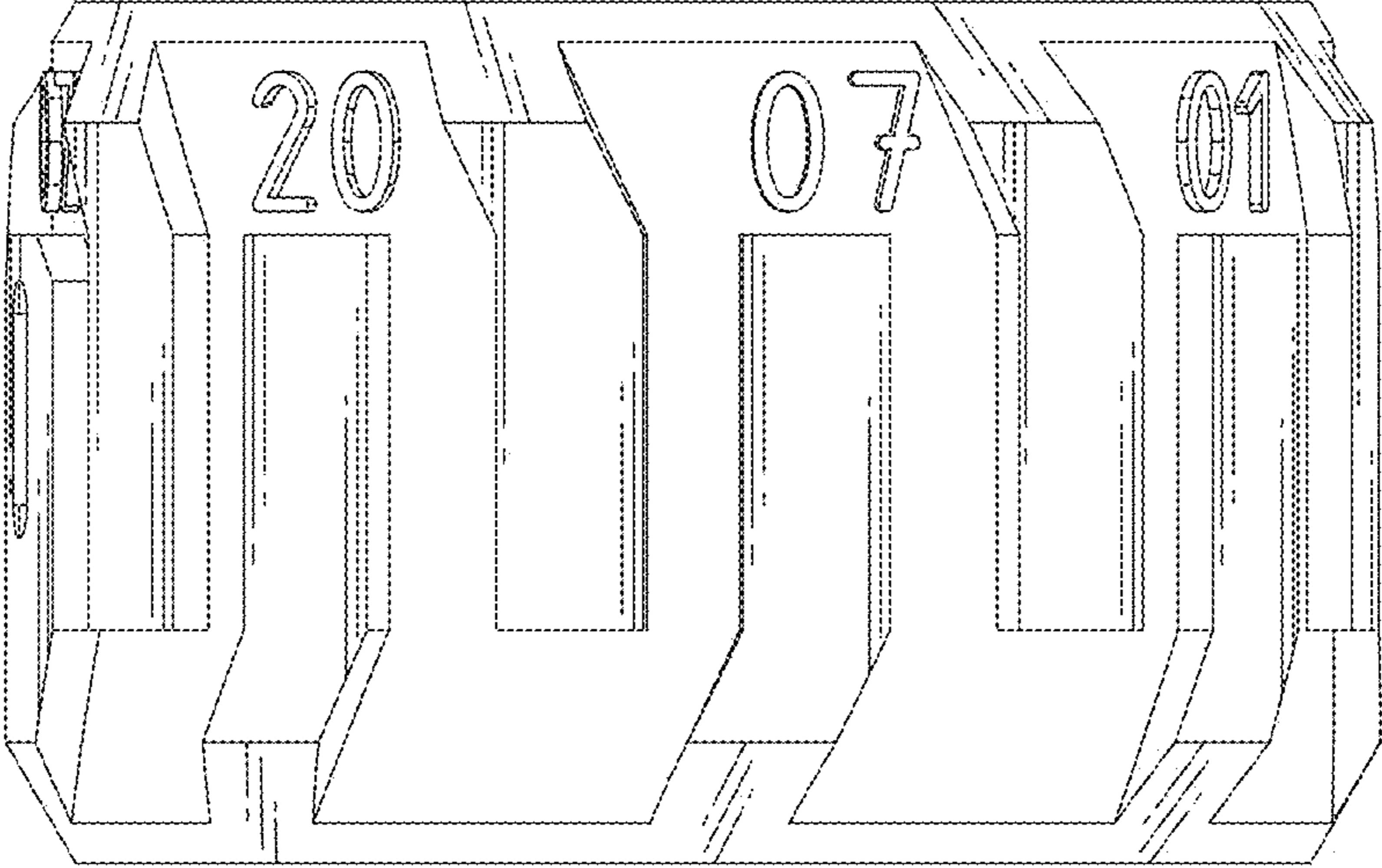


Fig. 4



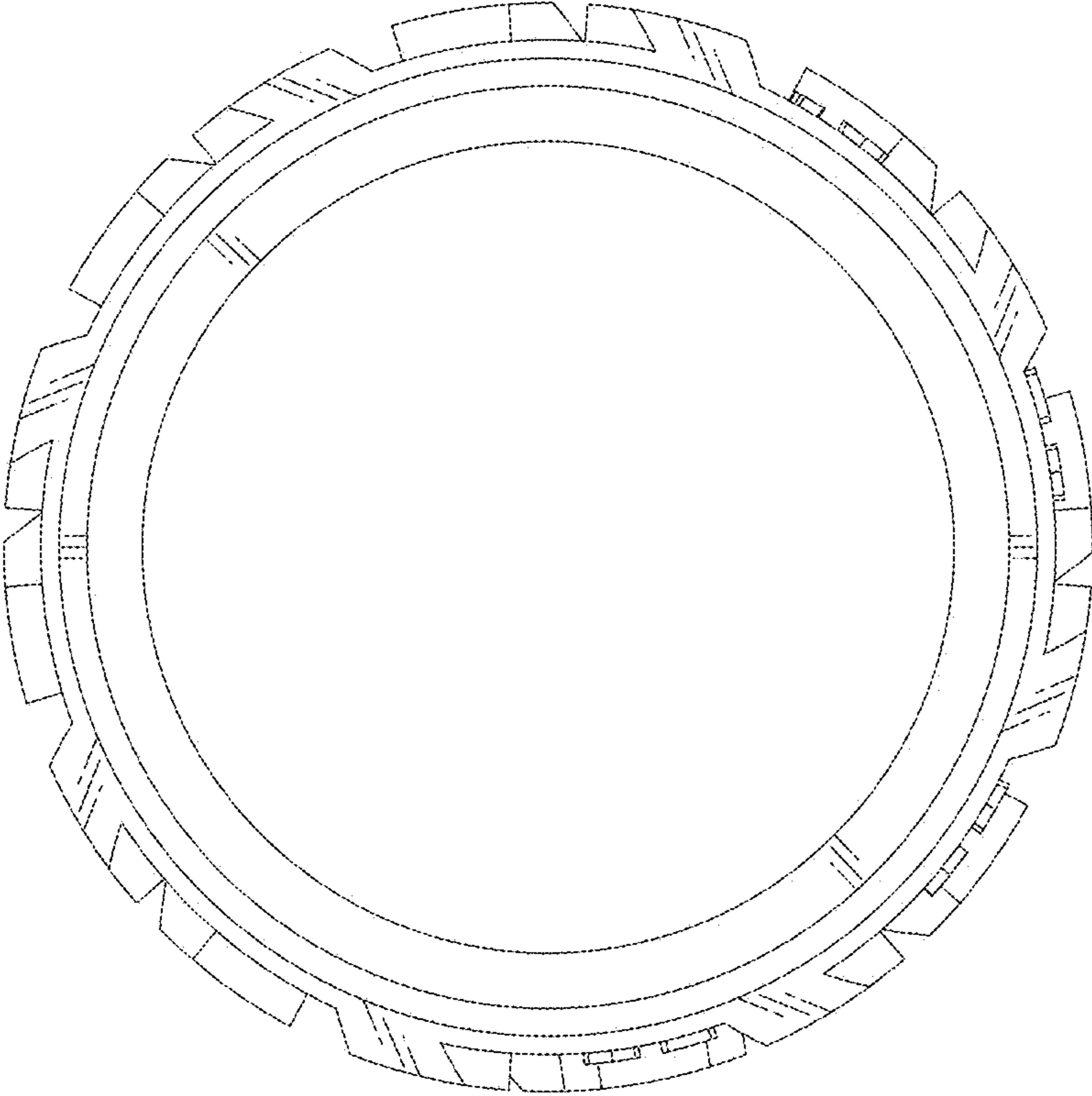


Fig.5

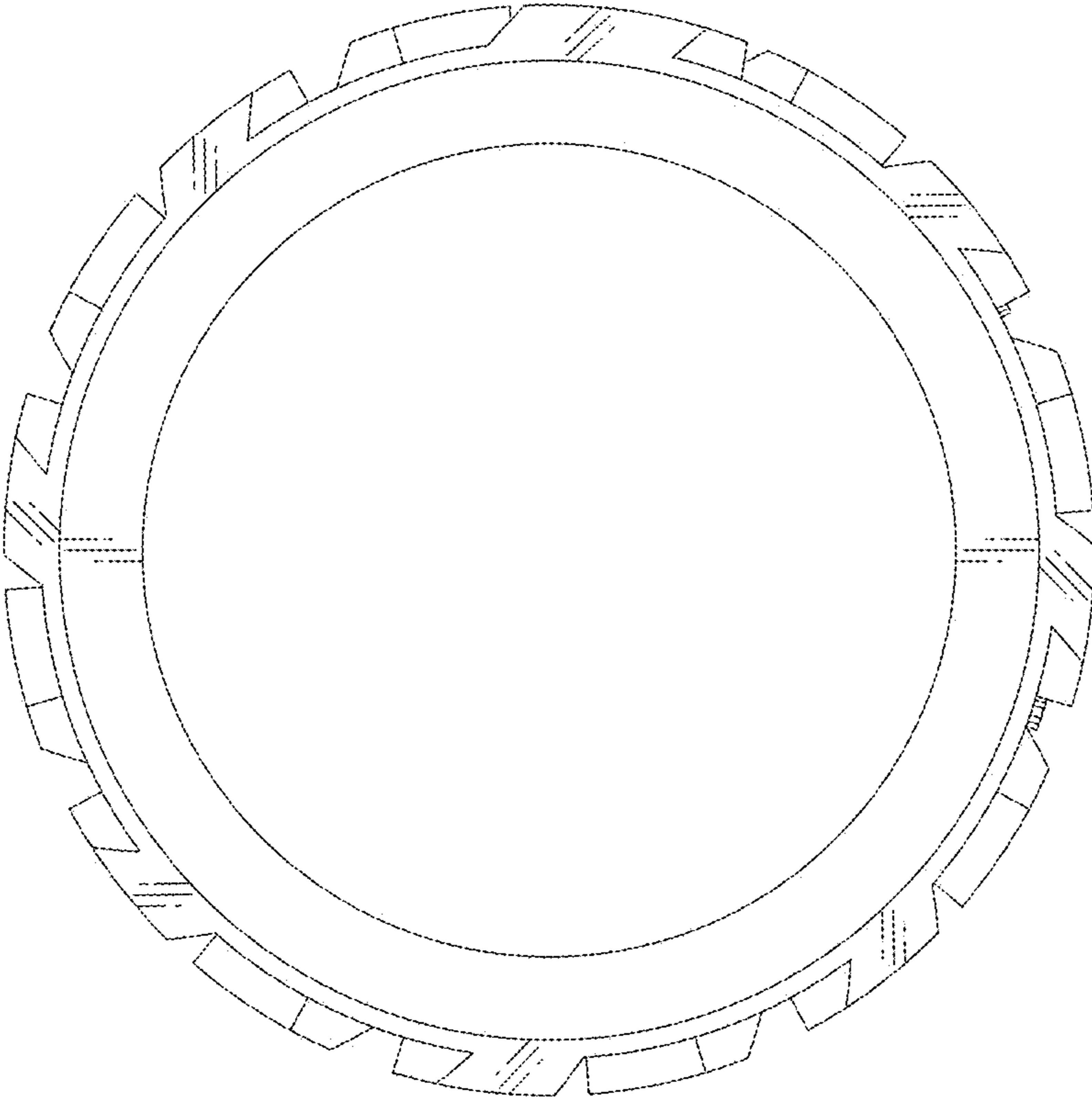


Fig. 6

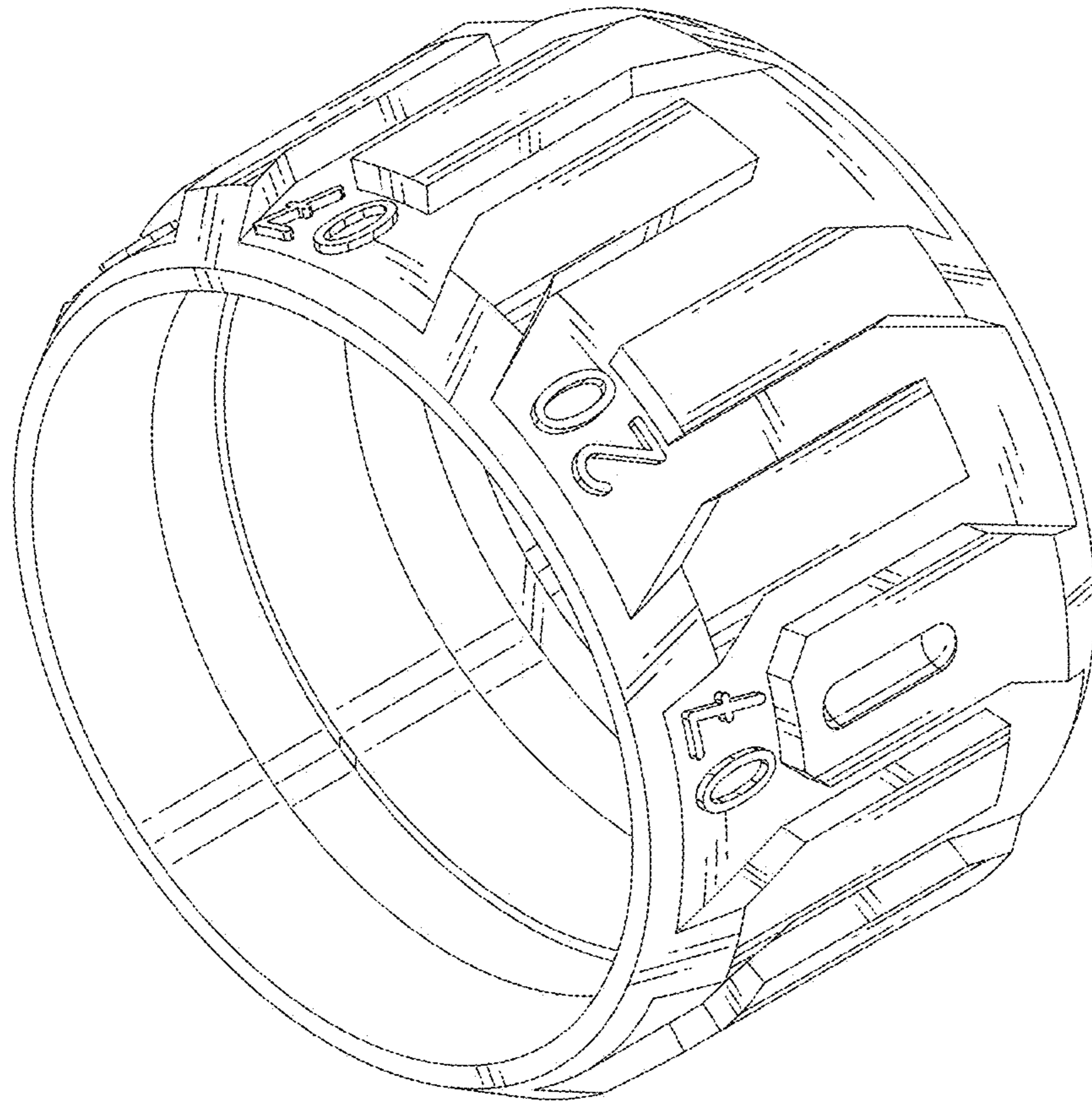


Fig. 7



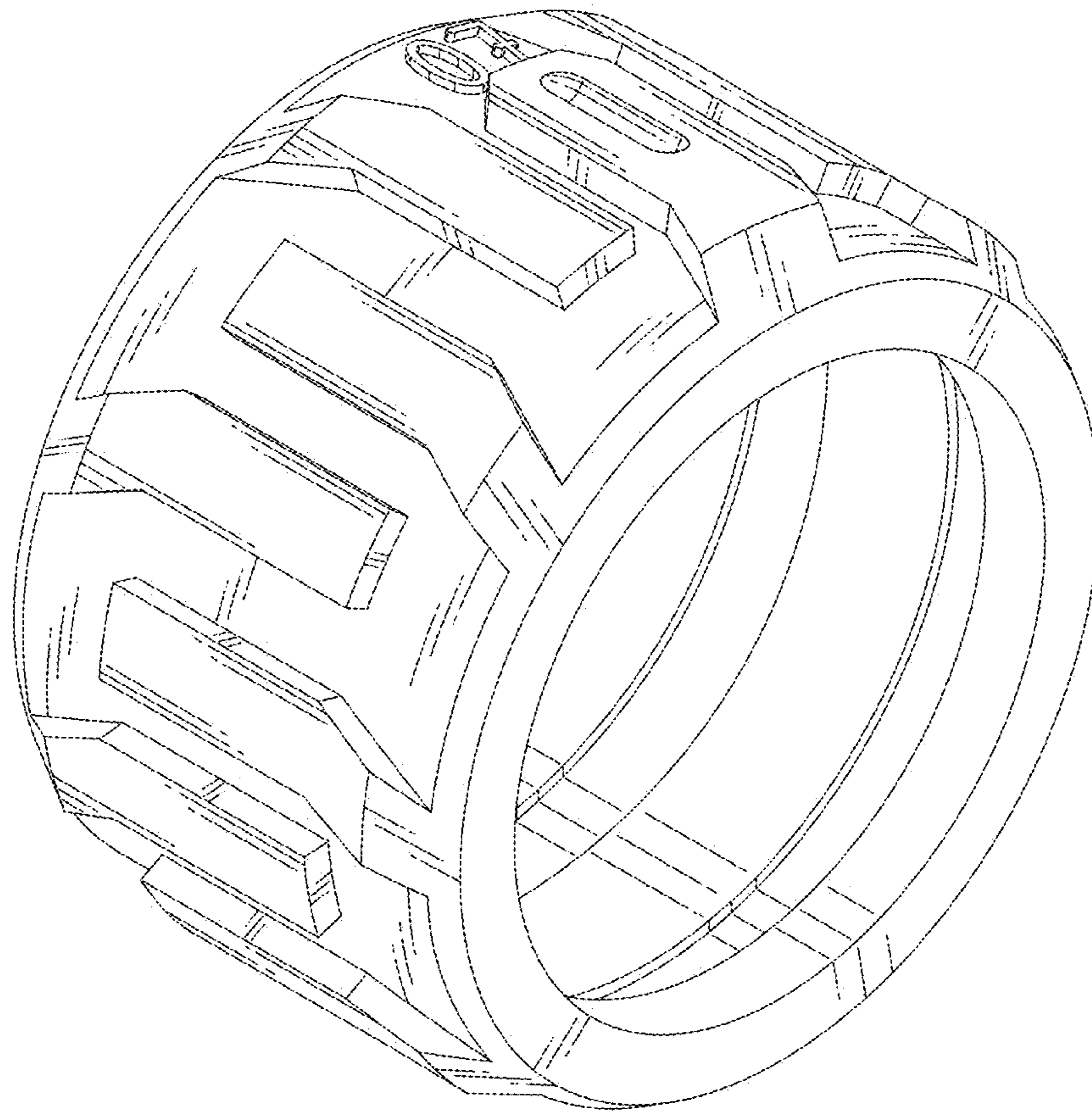


Fig. 8

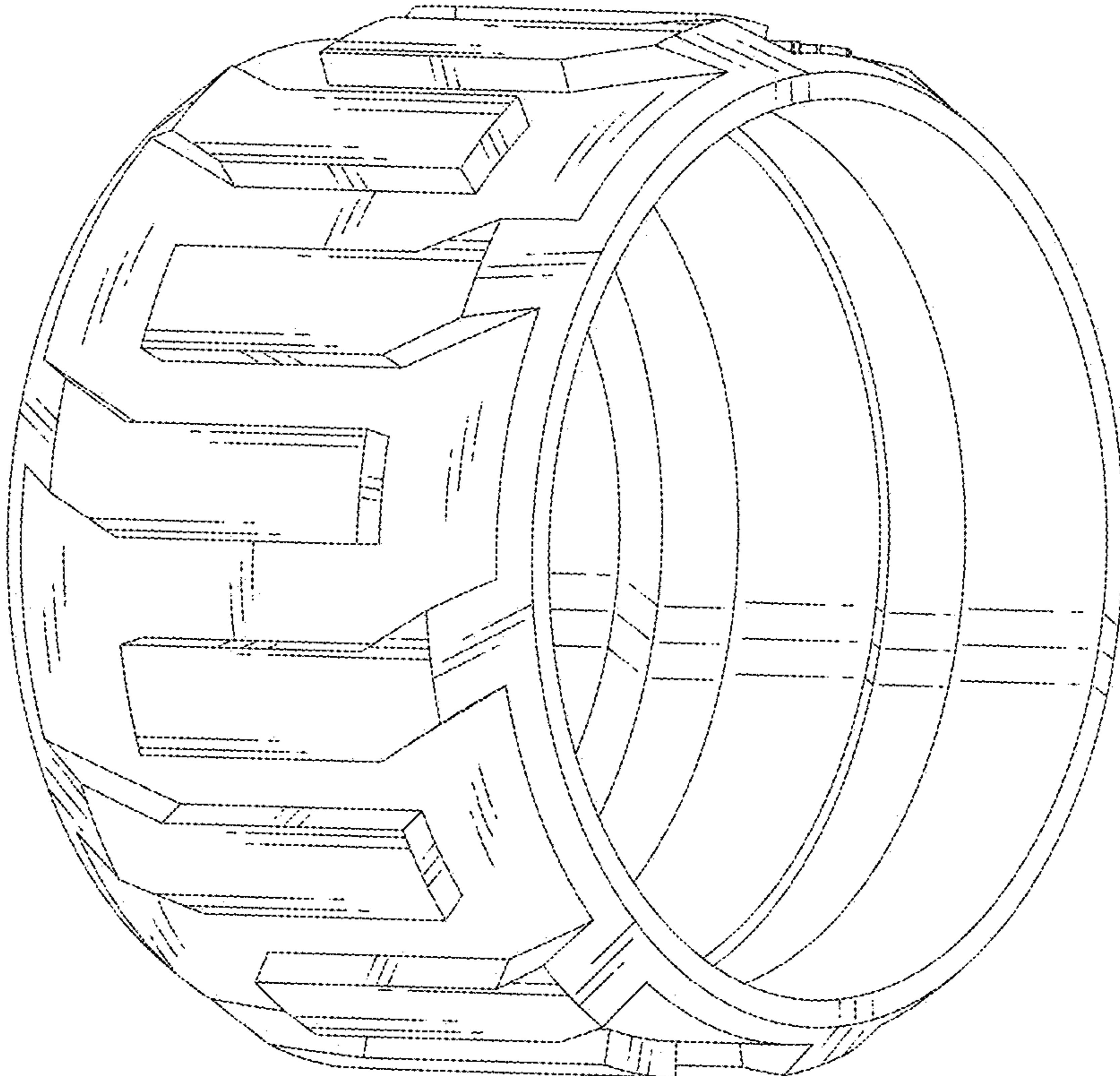


Fig. 9

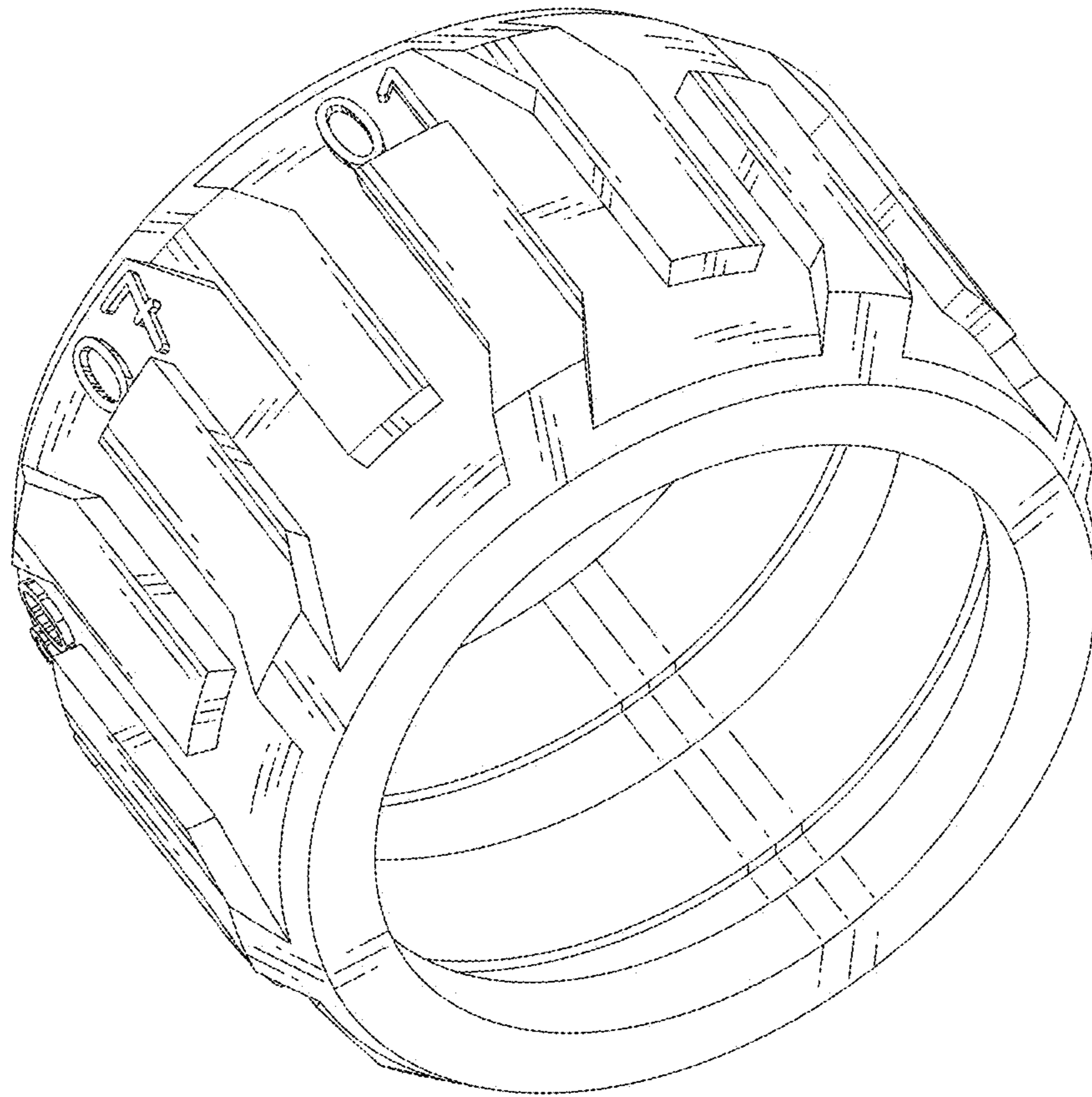


Fig. 10

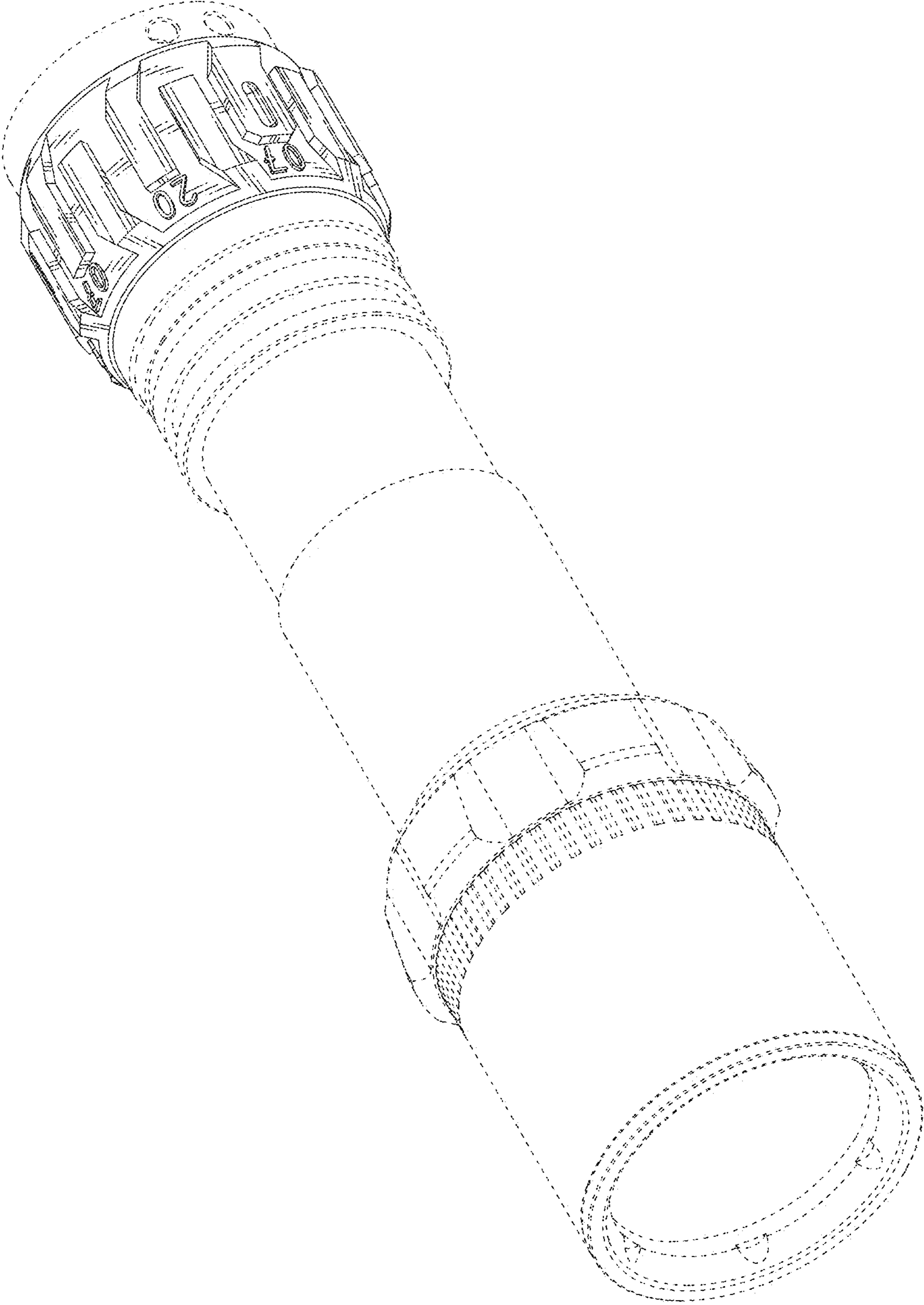


Fig. 11