



US00D985180S

(12) **United States Design Patent** (10) **Patent No.:** **US D985,180 S**  
**Zhang** (45) **Date of Patent:** **\*\* May 2, 2023**

(54) **TABLE LAMP**

D925,098 S \* 7/2021 Luo ..... D26/93  
D953,612 S \* 5/2022 Hisle De Beauchaine .. D26/112  
2018/0245768 A1\* 8/2018 Loates ..... G09F 13/00

(71) Applicant: **Guanyi Zhang**, Beijing (CN)

(72) Inventor: **Guanyi Zhang**, Beijing (CN)

(\*\*) Term: **15 Years**

(21) Appl. No.: **29/807,061**

(22) Filed: **Sep. 8, 2021**

(51) **LOC (14) Cl.** ..... **26-05**

(52) **U.S. Cl.**  
USPC ..... **D26/106**; D26/93

(58) **Field of Classification Search**  
USPC ..... D26/24, 93, 104, 106, 107, 108, 110,  
D26/112, 113, 118, 138  
CPC .... F21S 6/00; F21S 6/002; F21S 6/003; F21S  
6/004; F21S 6/005; F21S 6/006; F21S  
6/007; F21S 6/008; F21V 1/00; F21V  
1/02; F21V 1/14; F21V 3/00  
See application file for complete search history.

(56) **References Cited**

**U.S. PATENT DOCUMENTS**

D384,766 S \* 10/1997 Von Kluck ..... G09F 13/00  
D26/106  
D409,791 S \* 5/1999 Schlesinger ..... D26/142  
D609,392 S \* 2/2010 Salatto-Rose ..... D26/106  
D609,849 S \* 2/2010 Chiu ..... D26/106  
D610,302 S \* 2/2010 Chiu ..... D26/106  
D614,798 S \* 4/2010 Sabernig ..... D26/110  
D614,799 S \* 4/2010 Sabernig ..... D26/110  
D745,206 S \* 12/2015 Clark ..... D26/104  
D749,771 S \* 2/2016 Kern ..... D26/106  
D749,772 S \* 2/2016 Kern ..... D26/106  
D772,472 S \* 11/2016 Velez ..... D26/106  
D774,240 S \* 12/2016 Velez ..... D26/106  
D892,390 S 8/2020 Tong  
D911,589 S 2/2021 Huang

**OTHER PUBLICATIONS**

360 Lighting Marshall Modern Industrial Farmhouse Table Lamp, Apr. 26, 2017, Amazon.com, site visited Jul. 28, 2022, url: <https://www.amazon.com/dp/B06XSY6H68/?th=1> (Year: 2017).\*  
360 Lighting Todd Modern Minimalist Table Lamp, Jul. 5, 2018, Amazon.com, site visited Jul. 28, 2022, url: <https://www.amazon.com/dp/B07F8WQDNW/?th=1> (Year: 2018).\*  
Bosceos Set of 2 Touch Control 3-Way Dimmable Table Lamp, Jun. 10, 2020, Amazon.com, site visited Jul. 20, 2022, url: <https://www.amazon.com/dp/B089YSXCY3/?th=1> (Year: 2020).\*  
Tobusa Touch Control Table Lamp with 2 USB Ports, Mar. 4, 2021, Amazon.com, site visited Jul. 28, 2022, url: <https://www.amazon.com/dp/B08XZ2TZQ7/?th=1> (Mar. 2021).\*

(Continued)

*Primary Examiner* — Nathan M Johnston

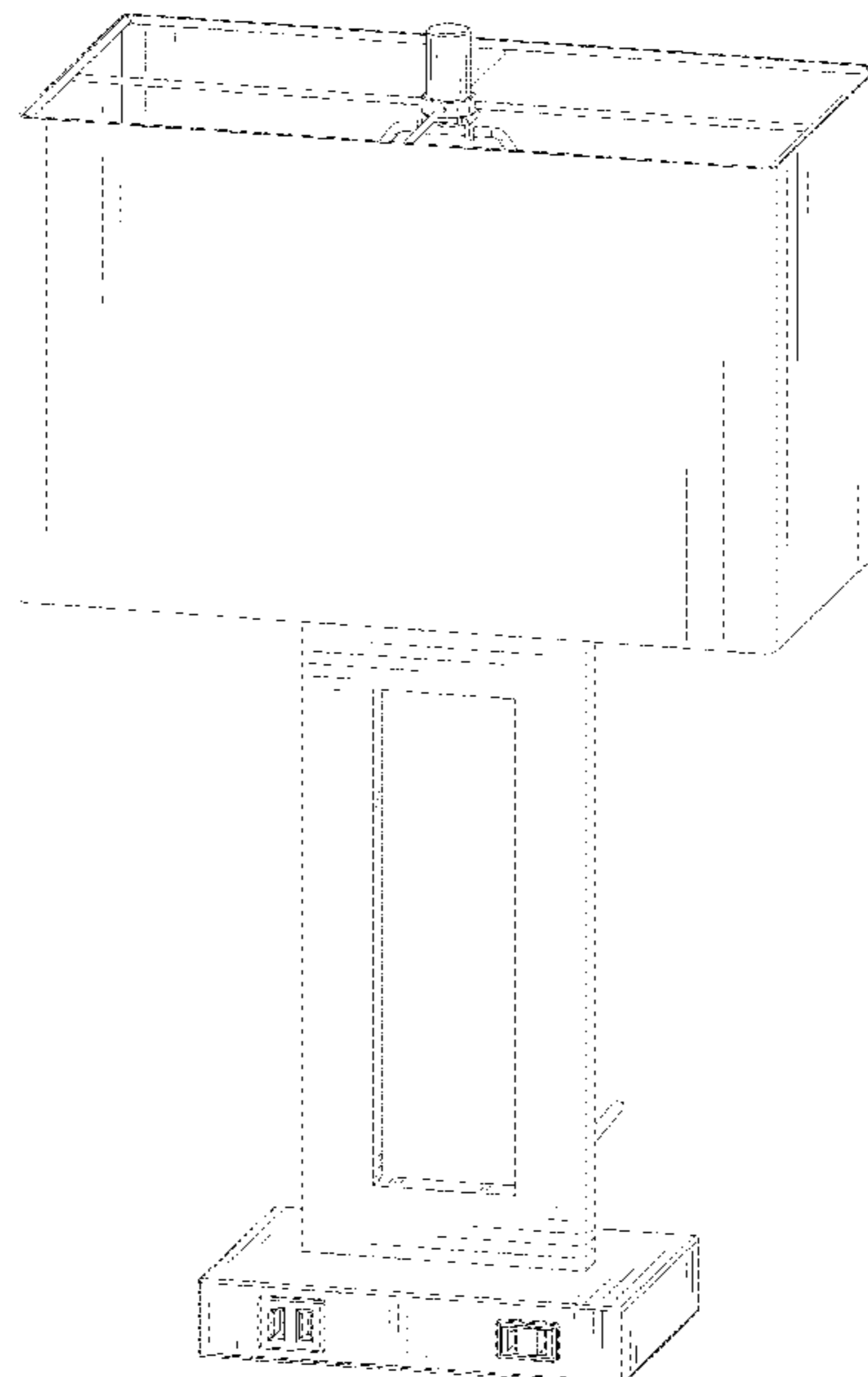
(57) **CLAIM**

The ornamental design for a table lamp, as shown and described.

**DESCRIPTION**

FIG. 1 is a perspective view of a table lamp showing my new design;  
FIG. 2 is a front elevational view thereof;  
FIG. 3 is a rear elevational view thereof;  
FIG. 4 is a left side elevational view thereof;  
FIG. 5 is a right side elevational view thereof;  
FIG. 6 is a top plan view thereof;  
FIG. 7 is a bottom plan view thereof;  
FIG. 8 is a perspective view of the table lamp without a lampshade, shown separately for ease of illustration; and,  
FIG. 9 is a right side elevational view thereof.

**1 Claim, 9 Drawing Sheets**



(56)

**References Cited**

OTHER PUBLICATIONS

Lamps Plus website, Marshall Open Window Rectangular Bronze Table Lamp, Jun. 16, 2017, [https://www.lampsplus.com/products/marshall-open-window-rectangular-bronze-table-lamp\\_9r140.html](https://www.lampsplus.com/products/marshall-open-window-rectangular-bronze-table-lamp_9r140.html) (Year: 2017).\*

Amazon.com, Bedside Touch Control Table Lamp with Dual USB Charging Ports 1 AC Outlet, Oct. 12, 2020, <https://www.amazon.com/Bedside-Control-Charging-Dimmable-Nightstand/dp/B08L3GXQ1X/> (Year: 2020).\*

\* cited by examiner

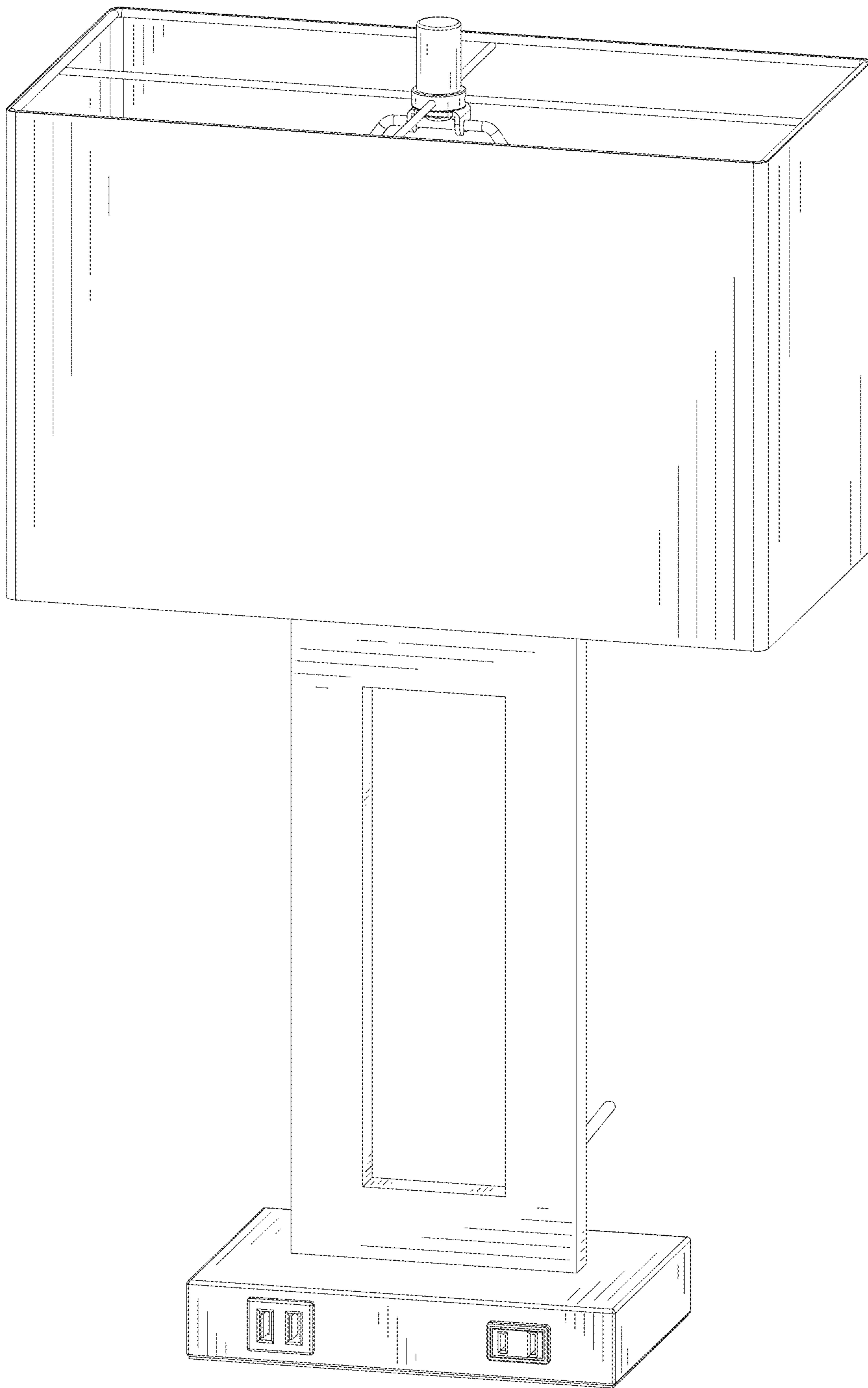


FIG. 1

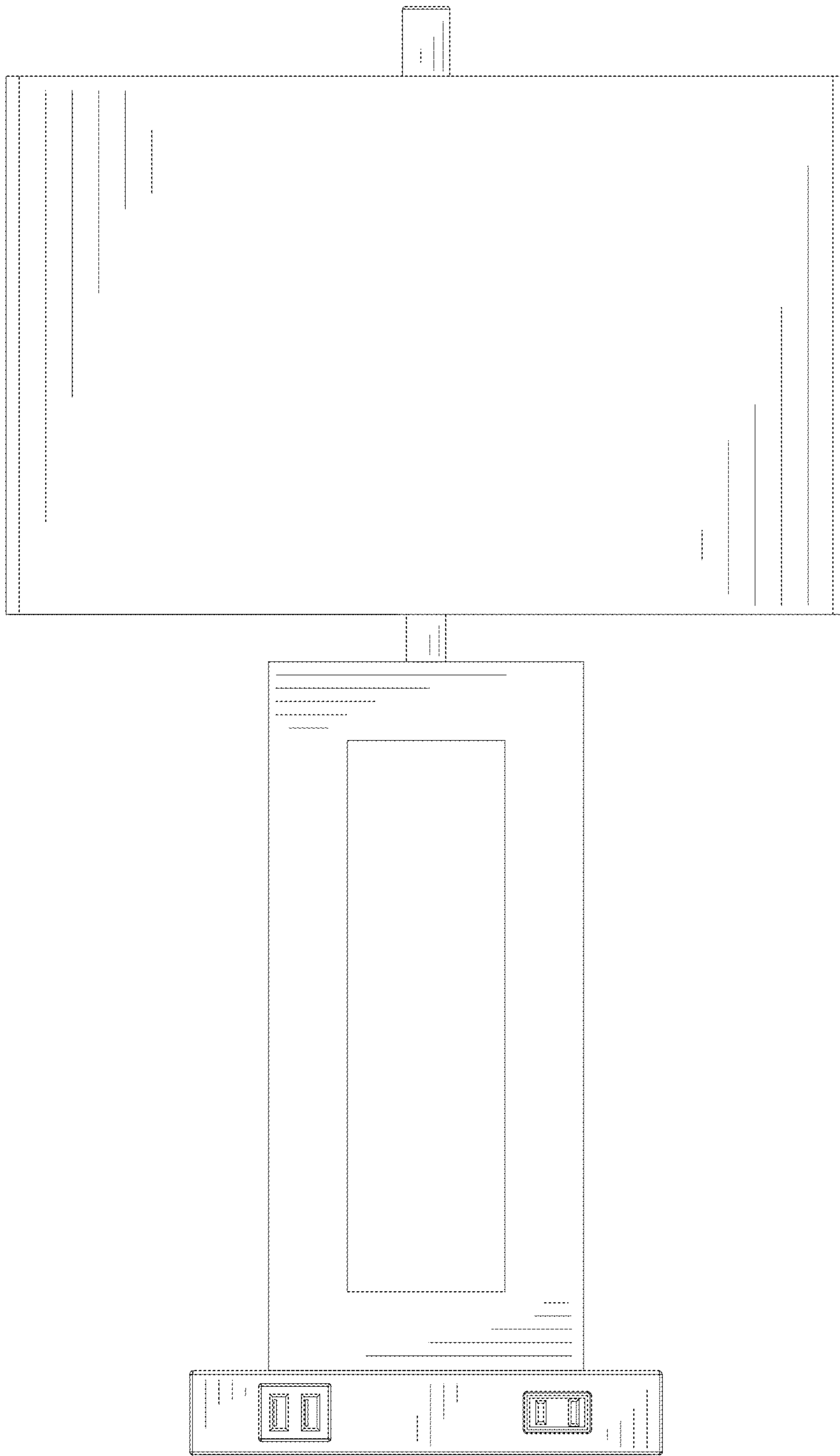


FIG. 2

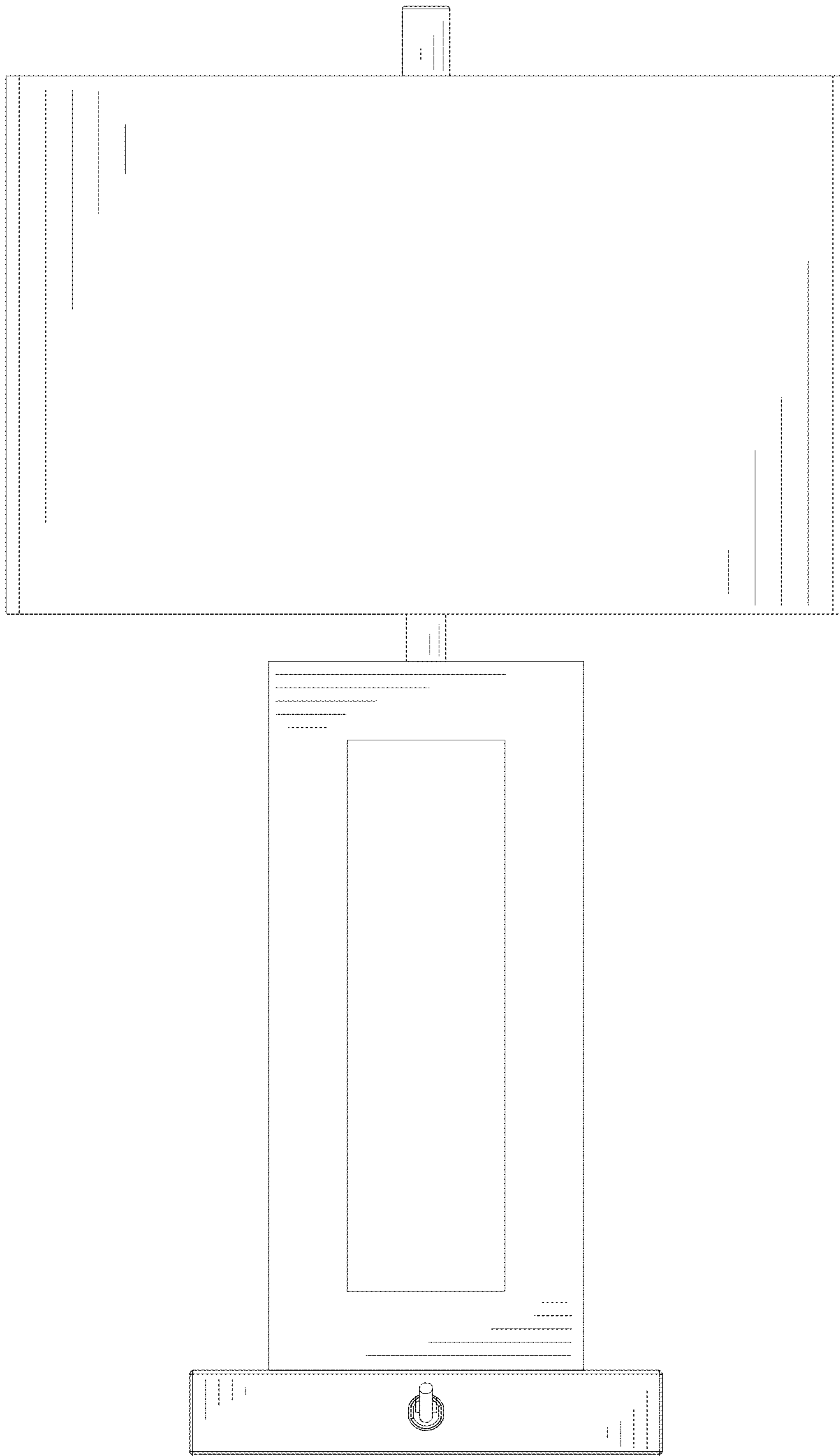


FIG. 3

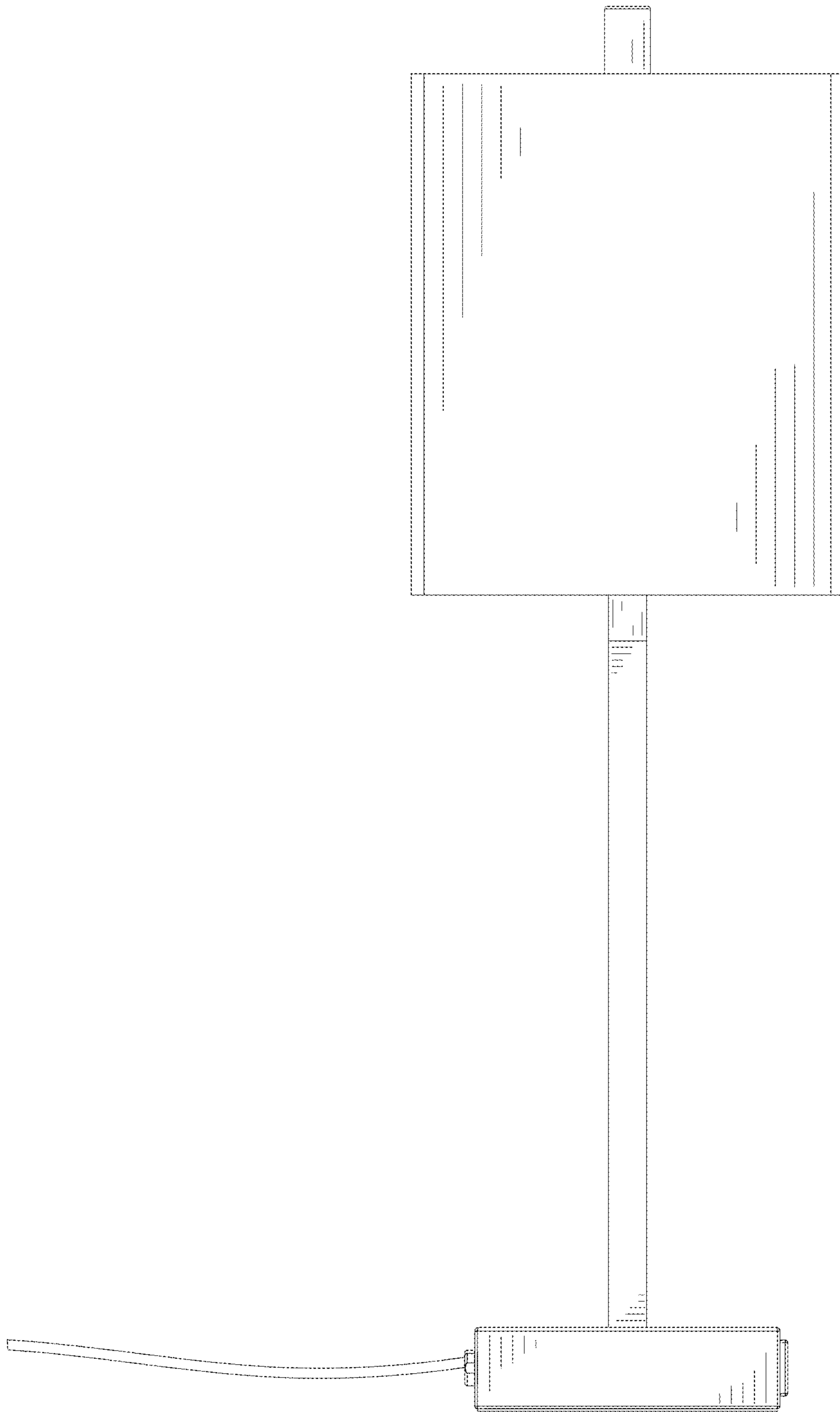


FIG. 4

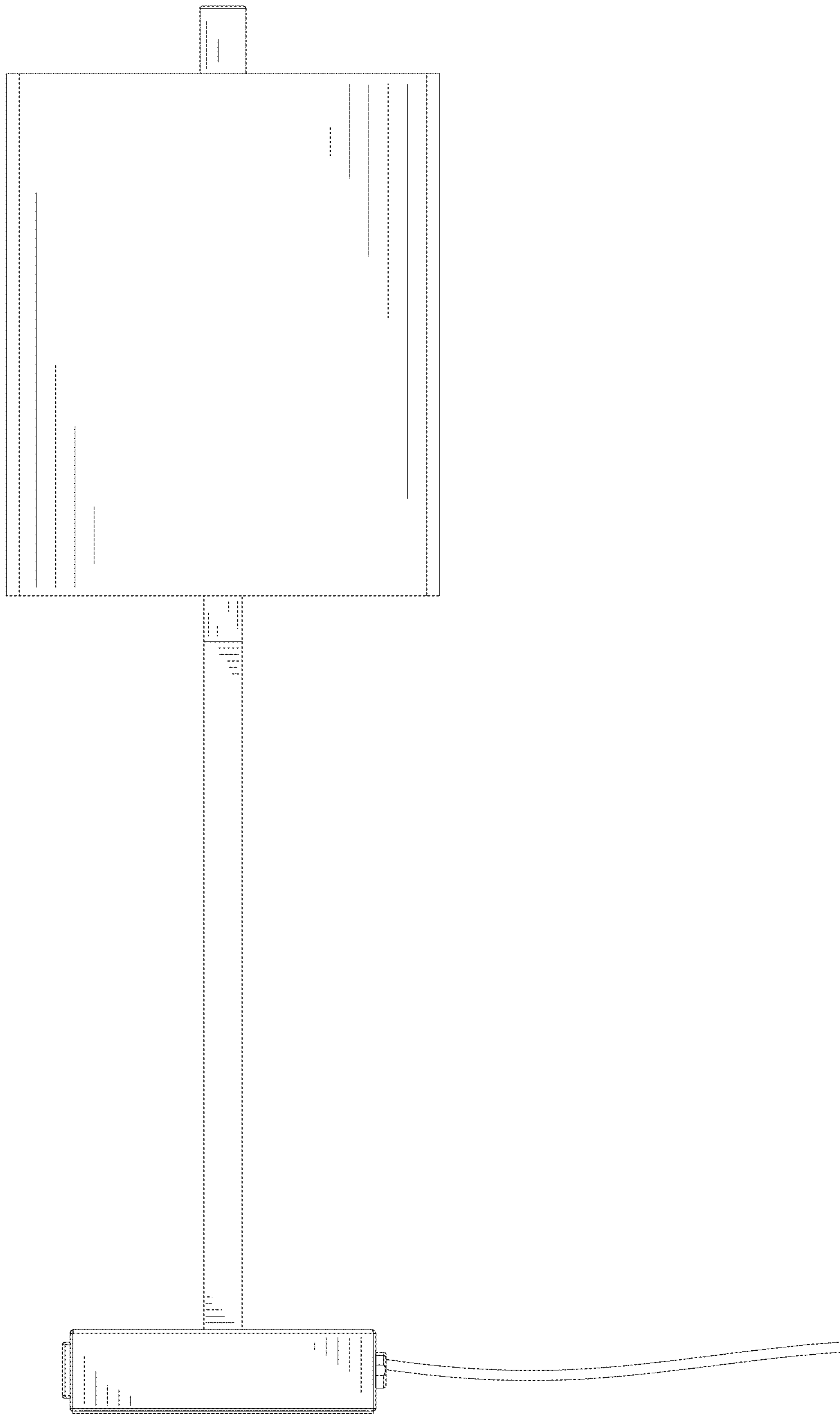


FIG. 5

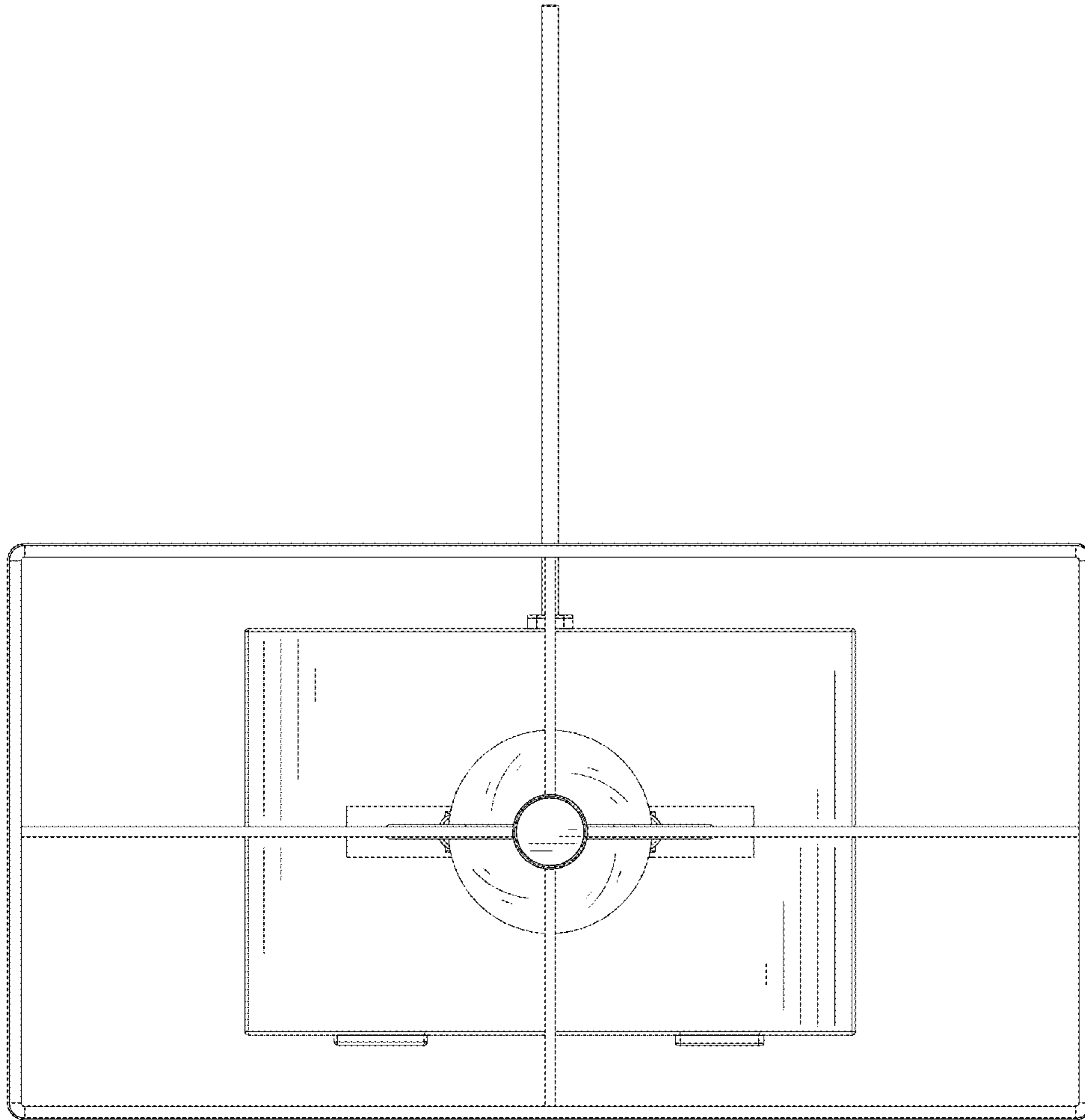


FIG. 6



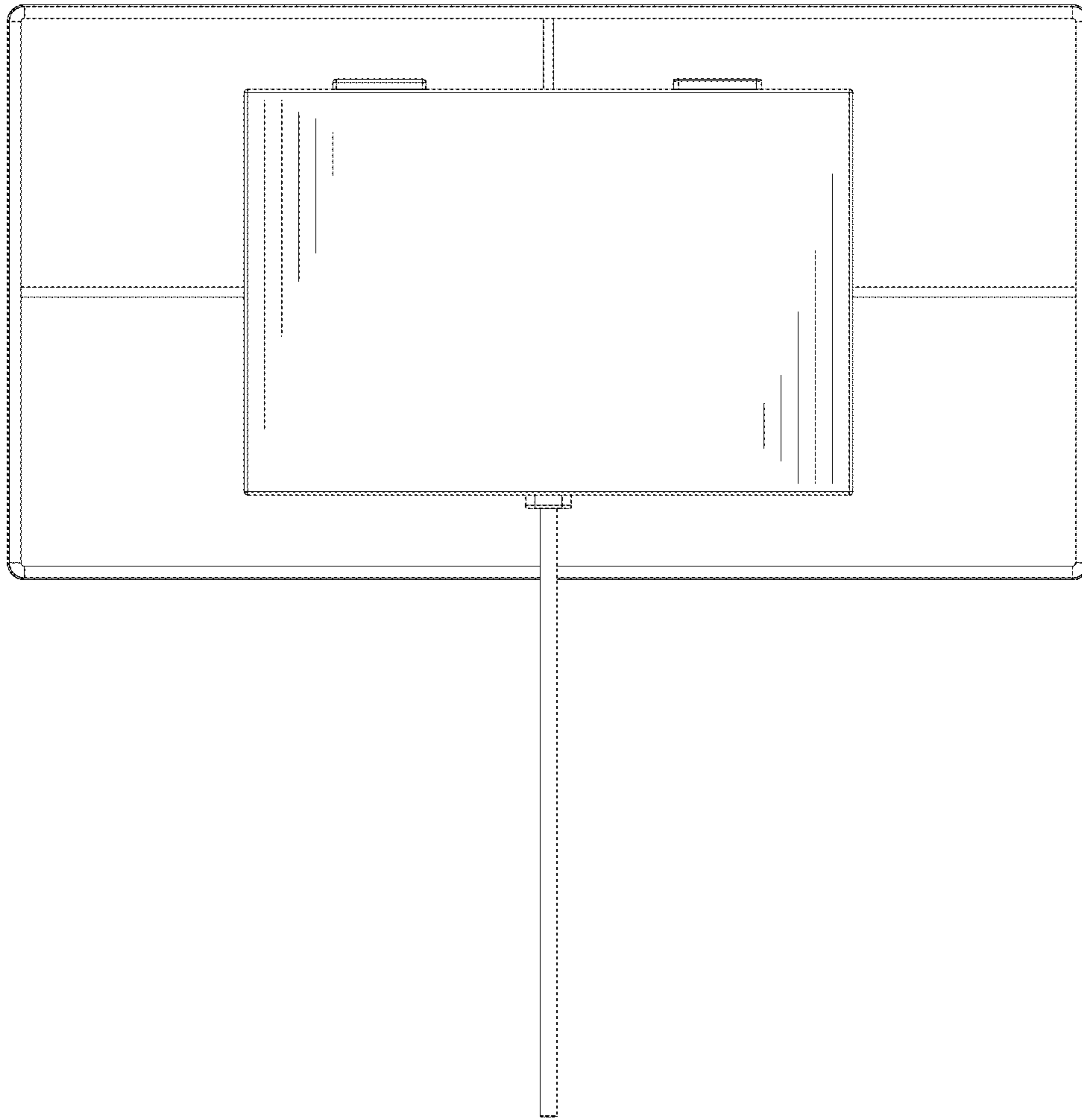


FIG. 7

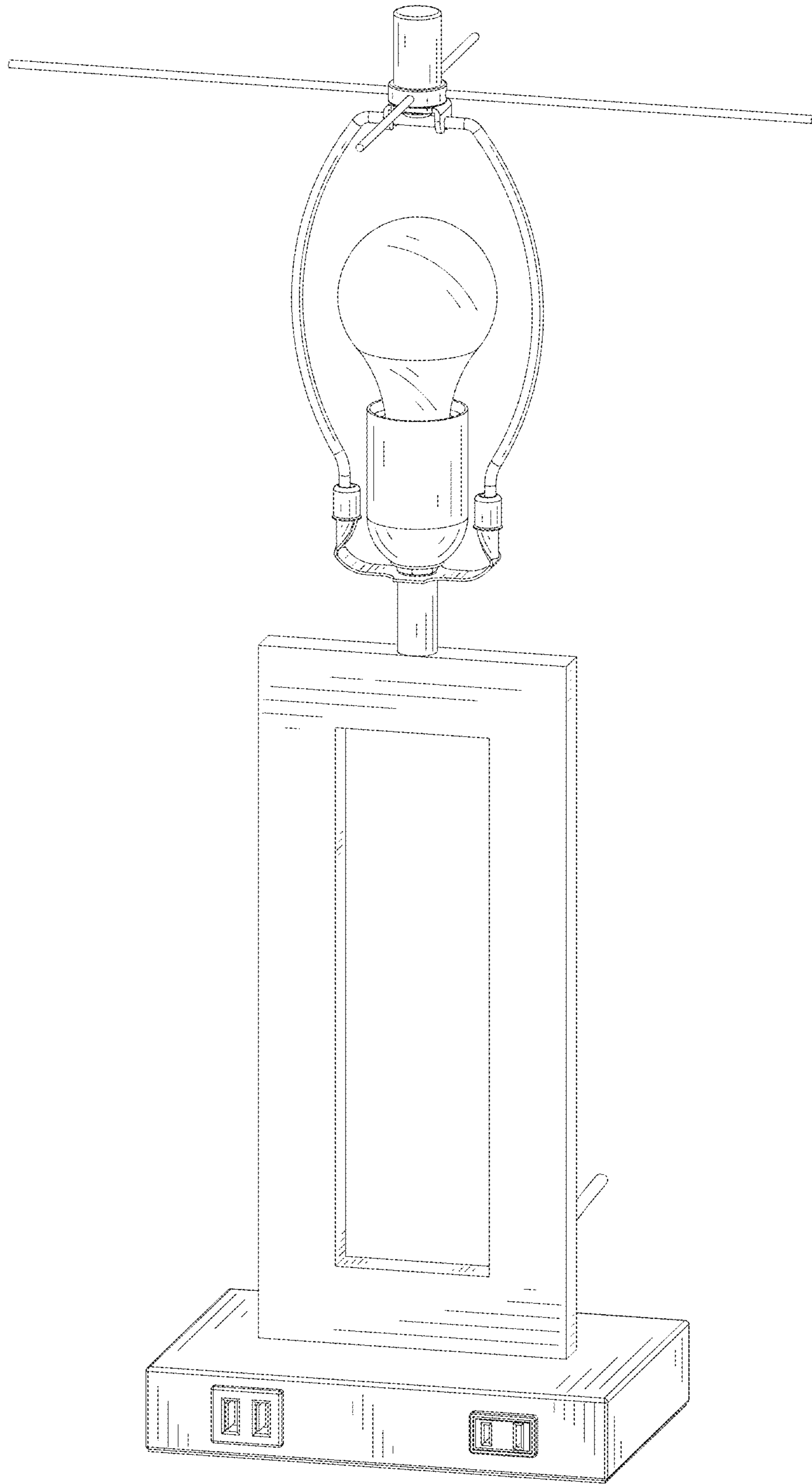


FIG. 8

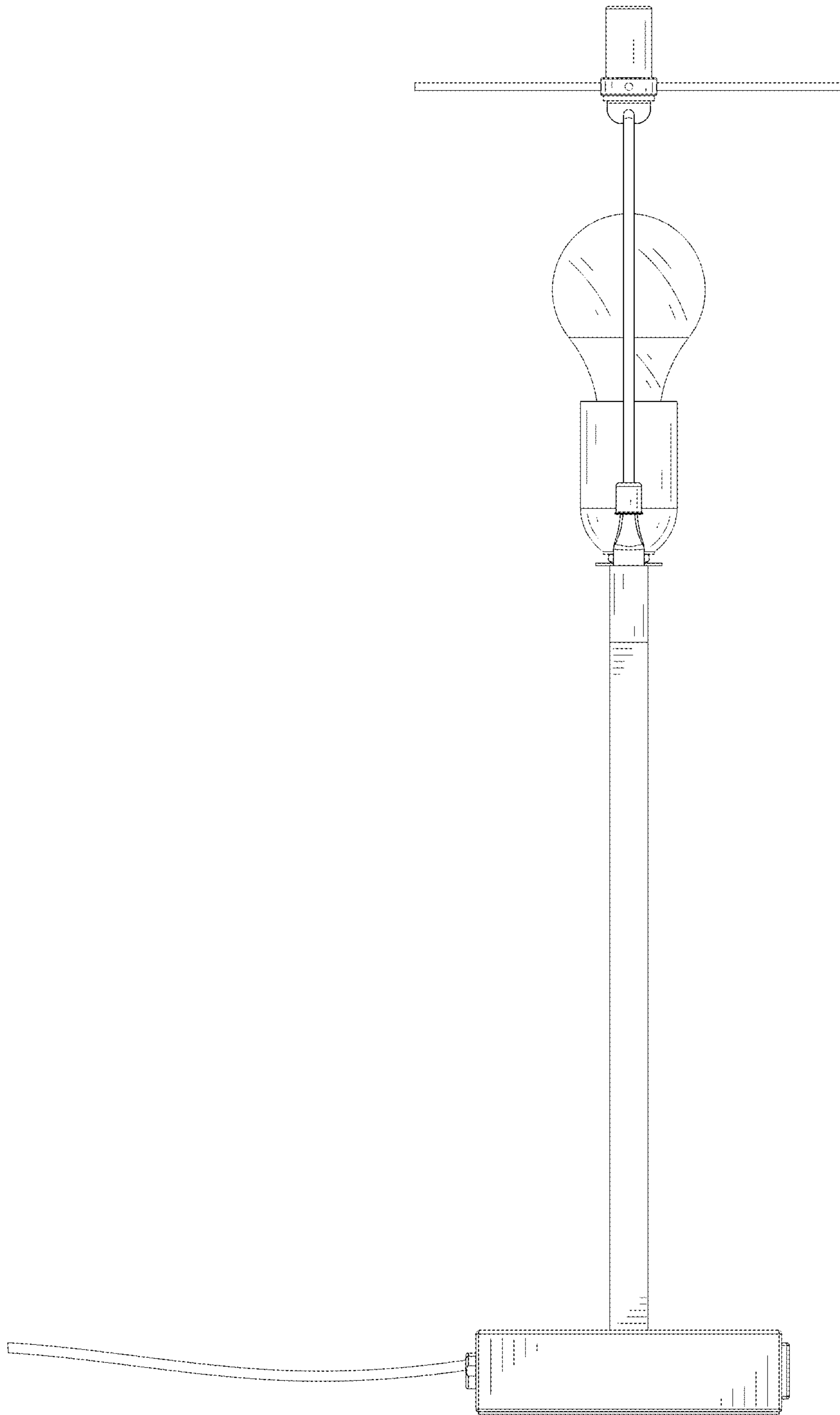


FIG. 9